



VOLTAGE

12V

CAPACITY (20H)

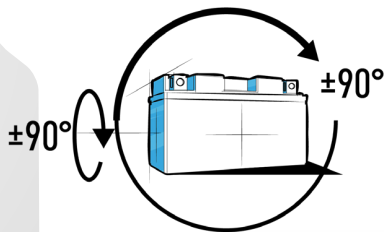
5,3 AH

CAPACITY (10H)

5 AH

CCA (EN)

65 A

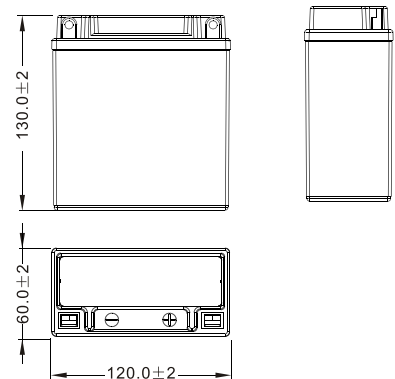


High inclination **0% Spilling chance**

AXCELL GEL batteries provide maximum performance and comfort! Ready to use and completely spill proof, Gel batteries are factory activated and do not require any acid initial filling or water refilling. Just install and forget! With high vibration resistance, Gel batteries are the best choice for all powersports, all-terrain and extreme uses.

DIMENSIONS & WEIGHT

Length (L):	120 mm ±2mm
Width (W):	60 mm ±2mm
Height (H):	130 mm ±2mm
Weight:	1,86 Kg



BENEFITS

- > **Ready to start**
Install & forget
- > **100% Maintenance free**
No water refilling
- > **Completely sealed and spill proof**
Mounting up to 90°
- > **Maximum starting power**
For all powersport & heavy duty vehicles
- > **Ultra safe & highly vibration resistant**
For rough road conditions
- > **Suitable for all weather conditions**
With great heat & cold tolerance

TERMINAL (mm)

