



VOLTAGE

12V

CAPACITY (20H)

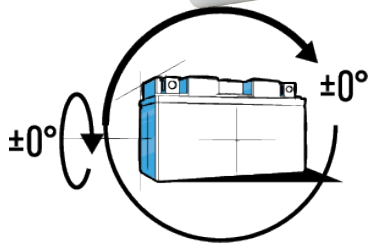
12,6 AH

CAPACITY (10H)

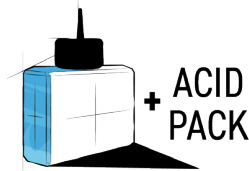
12 AH

CCA (EN)

155 A



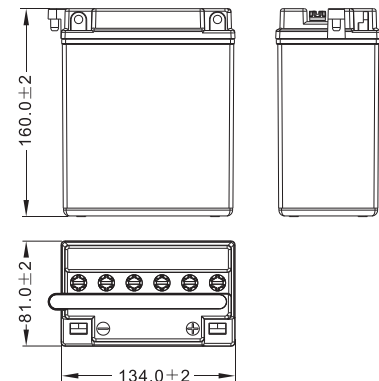
Upright inclinasion



+ ACID PACK

DIMENSIONS & WEIGHT

Length (L):	134 mm ±2mm
Width (W):	81 mm ±2mm
Height (H):	160 mm ±2mm
Weight:	3,9 Kg



AXCELL DRY batteries are conventional flooded lead-acid batteries which deliver reliable starting power and ensures a long life. Pre-charged, DRY batteries are delivered with an acid pack and need to be filled before first use and periodically topped up to maintain. Ideal for entry-level and old vehicles with standard requirements.

BENEFITS

- > **Activation before first use**
Dry pre-charged battery
- > **Acid pack included**
For initial filling
- > **Periodically Maintenance**
Periodically topped up to maintain
- > **Reliable starting power**
For vehicles with standard requirements
- > **Long shelf life**
No recharge required before acid filling
- > **Wide variety of battery sizes**
Including 6V & 12V versions

TERMINAL (mm)

