

TYPE 004R



SPECIFICATIONS

Voltage

12V

Capacity

50Ah

CCA (EN)

400CCA (EN)

Pallet Quantity

72

Layout

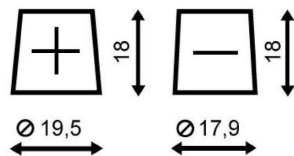
1

Base Holddown

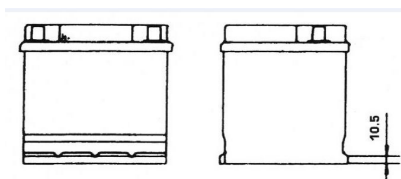
B1

Terminal

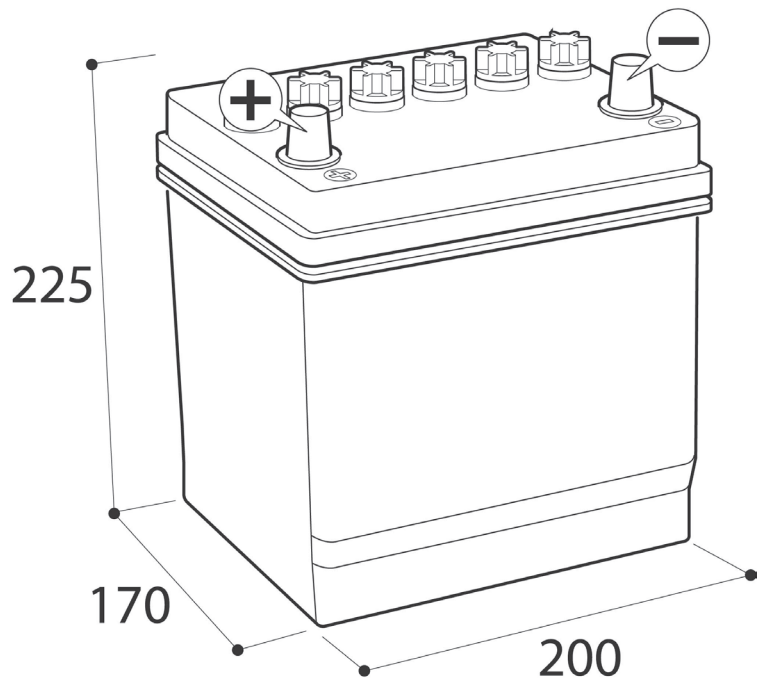
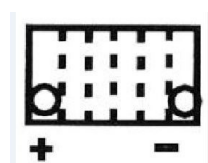
1



Holddown



Layout



Dimensions

LENGTH	200 mm
WIDTH	170 mm
HEIGHT	225 mm
WEIGHT	15.5 kgs

TRANSPORT INFORMATION

- Classified as "Batteries, Wet, Filled with Sulphuric Acid".
- UN2794
- Class 8
- Packing Group III

