



## BLUE dynamic EFB

### Vehicle Key Benefits



Ready for entry-level start-stop systems



Engineered to the highest German standards



Patented PowerFrame® grid for reliable starting power, fast recharge and corrosion resistance.



Meets all original criteria of the car manufacturer

For more information visit [varta-automotive.com](http://varta-automotive.com)

### ORDER INFORMATION

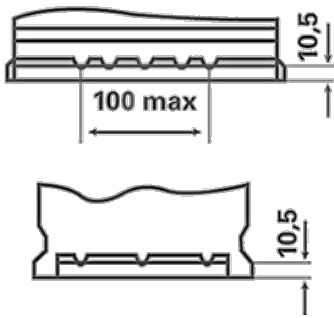
European Type No. (ETN):	570500076
Article Number:	570500076D842
Short Code:	N70
Barcode:	4016987152317
UK Code:	096EFB
Packaging Unit:	1
Quantity per Pallet:	48

### TECHNICAL INFORMATION

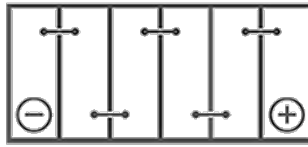
Voltage [V]:	12	Base Hold-down:	B13
Battery Capacity [Ah]:	70	Layout:	0
Cold Cranking Amps (CCA), EN [A]:	760	Terminal Types:	1
Length [mm]:	278	Case Size:	H6/LN3
Width [mm]:	175	Weight filled (kg):	19,53
Height [mm]:	190		

# DRAWINGS

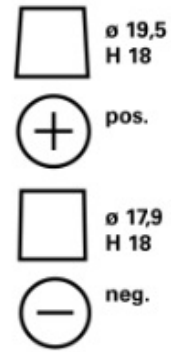
**B13**



**0**



**1**



**3**

