



## BLUE dynamic

### Vehicle Key Benefits



Engineered to the highest German standards



Patented PowerFrame® grid for reliable starting power, fast recharge and corrosion resistance.



Meets all original criteria of the car manufacturer

For more information visit [varta-automotive.com](http://varta-automotive.com)

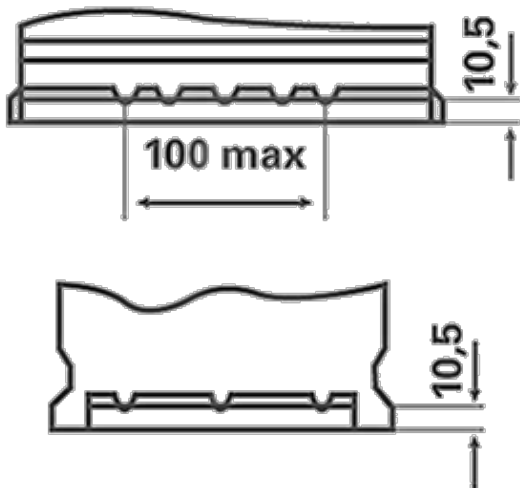
### ORDER INFORMATION

European Type No. (ETN):	574013068
Article Number:	5740130683132
Short Code:	E12
Barcode:	4016987119549
UK Code:	086
Packaging Unit:	1
Quantity per Pallet:	48

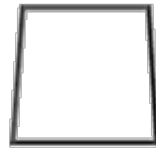
### TECHNICAL INFORMATION

Voltage [V]:	12	Base Hold-down:	B13
Battery Capacity [Ah]:	74	Layout:	1
Cold Cranking Amps (CCA), EN [A]:	680	Terminal Types:	1
Length [mm]:	278	Case Size:	H6R/LN3R
Width [mm]:	175	Weight filled (kg):	17,87
Height [mm]:	190		

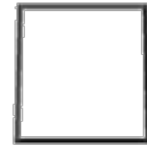
# B13



1



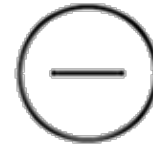
ø 19,5  
H 18



ø 17,9  
H 18



pos.



neg.