



Technical Data Sheet

ODS-AGM70MJA

(PC1700MJT)

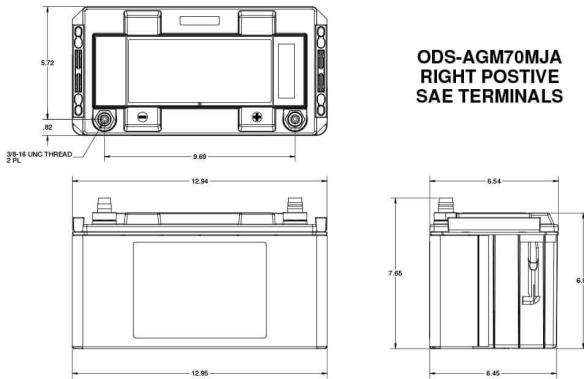
Battery Type

- Metal Jacket; SAE brass automotive posts
- Absorbed Glass Mat (AGM) with Thin Plate Pure Lead (TPPL)
- Advanced dual purpose battery for engine start and deep cycle use

Power and Performance

Voltage	12V
Pulse (5 second) Hot Cranking Amps (PHCA)	1550A
Cold Cranking Amps (CCA)	810A
HCA	1325A
MCA	1175A
20Hr Nominal Capacity (Ah)	68Ah
10Hr Nominal Capacity (Ah)	65Ah
Reserve Capacity Minutes	142 mins
Terminal	SAE
Torque Spec in-lbs (Nm max)	N/A
Internal Resistance (mΩ)	3.5 mΩ
Short Circuit (A)	3500A

Drawings & Terminal Position



Handling and Storage

- Can be mounted or stored in any orientation except inverted
- 2-years storage life at 77°F (25°C) without needing to charge. Recharge when the OCV is <12.2V (50% SOC).
- Classified as non-spillable and approved as non-hazardous cargo for ground, sea and air transportation in accordance with the requirements of IMDG (International Maritime code for Dangerous Goods) and ICAO (International Civil Aviation Organisation)

Charging and Self-Discharge

Type of charging curve	IUU
Charger voltage at 68°F (20°C)	14.4V to 14.8V
Self-discharge per month at 68°F (20°C)	1.25%
Self-discharge per month at 104°F (40°C)	5%
80% depth of discharge cycles	400

Dimensions and Weight

Length	13 in / 330 mm
Width	6.6 in / 168 mm
Height (terminals included)	7.8 in / 198 mm
Height (container)	7 in / 178 mm
Weight	60.9 lbs / 27.6 kg

Temperature

Operating temperature range	-40°F / -40°C to 176°F / +80°C
Optimum storage temperature	68°F / +20°C

Accreditations

The management systems governing the manufacture of this product are ISO 9001 and ISO 14001 certified.

*Cold Start Performance S.A.E J537 Apr 2016

Want more info?
Scan code to access
the ODYSSEY® Battery
Literature Library



**EnerSys World
Headquarters**
2366 Bernville Road
Reading, PA 19605, USA
Tel: +1-800-964-2837

EnerSys EMEA
EH Europe GmbH
Baarerstrasse 18
6300 Zug, Switzerland

EnerSys Asia
152 Beach Road
#11-08 Gateway East
Building
Singapore 189721
Tel: +65 6416 4800

