



SILVER dynamic AGM

Vehicle Key Benefits



xEV ready – ensuring safety and reliability for all current and future vehicle demands



Best start-stop performance for maximum fuel economy – as the start-stop-system can be operated as often as possible



90% of a newly produced VARTA AGM battery consists of recycled lead



Original Spare Parts ensure the replacement battery has the same quality as the original one



Patented PowerFrame® grid for reliable starting power, fast recharge and corrosion resistance.

For more information visit varta-automotive.com

ORDER INFORMATION

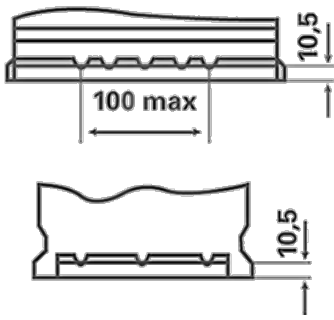
| | |
|--------------------------|---------------|
| European Type No. (ETN): | 605901095 |
| Article Number: | 605901095J382 |
| Short Code: | A4 |
| Barcode: | 4016987165546 |
| UK Code: | 020AGM |
| Packaging Unit: | 1 |
| Quantity per Pallet: | 36 |

TECHNICAL INFORMATION

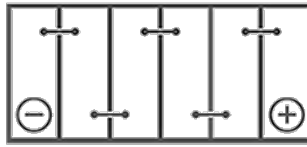
| | | | |
|-----------------------------------|-----|---------------------|--------|
| Voltage [V]: | 12 | Base Hold-down: | B13 |
| Battery Capacity [Ah]: | 105 | Layout: | 0 |
| Cold Cranking Amps (CCA), EN [A]: | 950 | Terminal Types: | 1 |
| Length [mm]: | 394 | Case Size: | H9/LN6 |
| Width [mm]: | 175 | Weight filled (kg): | 29,4 |
| Height [mm]: | 190 | | |

DRAWINGS

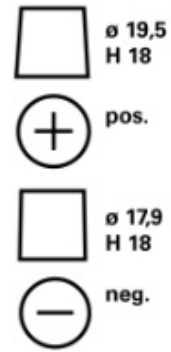
B13



0



1



3

