



## BLUE dynamic EFB

### Vehicle Key Benefits



Ready for entry-level start-stop systems



Engineered to the highest German standards



Patented PowerFrame® grid for reliable starting power, fast recharge and corrosion resistance.



Meets all original criteria of the car manufacturer

For more information visit [varta-automotive.com](http://varta-automotive.com)

### ORDER INFORMATION

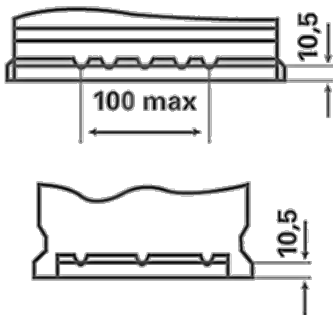
|                          |               |
|--------------------------|---------------|
| European Type No. (ETN): | 570500076     |
| Article Number:          | 570500076D842 |
| Short Code:              | N70           |
| Barcode:                 | 4016987152317 |
| UK Code:                 | 096EFB        |
| Packaging Unit:          | 1             |
| Quantity per Pallet:     | 48            |

### TECHNICAL INFORMATION

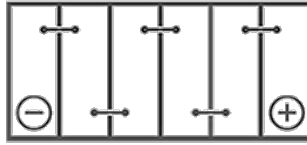
|                                   |     |                     |        |
|-----------------------------------|-----|---------------------|--------|
| Voltage [V]:                      | 12  | Base Hold-down:     | B13    |
| Battery Capacity [Ah]:            | 70  | Layout:             | 0      |
| Cold Cranking Amps (CCA), EN [A]: | 760 | Terminal Types:     | 1      |
| Length [mm]:                      | 278 | Case Size:          | H6/LN3 |
| Width [mm]:                       | 175 | Weight filled (kg): | 19,53  |
| Height [mm]:                      | 190 |                     |        |

# DRAWINGS

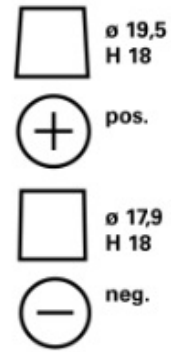
**B13**



**0**



**1**



**3**

