

12V

2Ah



NLP5

# INSANE PERFORMANCE. LITHIUM POWERSPORT BATTERY.™

2X

MORE POWER.

10X

MORE STARTS.

5X

LONGER LIFE.

## DYNAMIC BMS.

Equipped with an auto-enabled, advanced battery management system that provides maximum protection, performance, and bi-directional cell equalization for long-lasting stability. No BMS reset needed.

## ACTIVE PROTECTION.

Protects against over-charge, extreme-heat, short-circuit, over-discharge, extreme-cold, and over-current.

## SHOCK ABSORPTION.

Designed with a custom rubber dampening base and foam inserts to extend the life of the battery and keep connections secure.



NOCO

30339 Diamond Parkway, #102  
Glenwillow, OH 44139 | USA  
1.800.456.6626

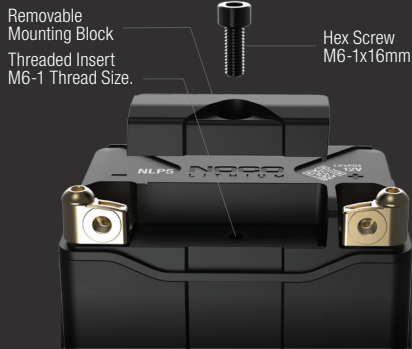
no.co

NOCO  
LITHIUM

NOCO

## UNIVERSAL MOUNTING.

Modular spacers can be added to alter the size and allow the battery to be safely and securely mounted. A removable mounting block allows the battery to fit more applications. The threaded insert enables direct-mounting for additional simplicity and security.



FEMALE.



SIDE.



TOP.



FRONT.



## MULTI-CONNECTION TERMINALS.

Equipped with premium IP66 waterproof copper PCB plates. NLP Terminals can be mounted from the front, side, or top, and can be removed altogether depending on the application.



## RAPID RECHARGE.

Use the Lithium mode on a Genius charger to fully recharge an NLP battery in minutes. See Genius models and charging times below.

## COMPATABLE SIZES.

### BCI SIZES

BTZ7S  
BTZ8V  
BTX4L-BS  
BTX5L-BS  
BTX7L-BS  
BTZ5S

### YUASA SIZES

YTZ7S  
YTZ8V  
YTZ5S-BS  
YTX4L-BS  
YTX5L-BS  
YTX7L-BS

### ETX SIZES

No Compatible Sizes.

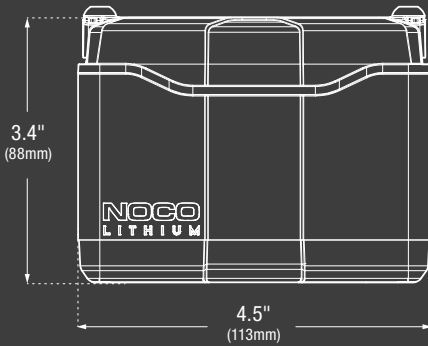
## RECHARGE TIME

GENIUS1	120 Minutes
GENIUS2	60 Minutes
GENIUS5	24 Minutes
GENIUS10	N/A

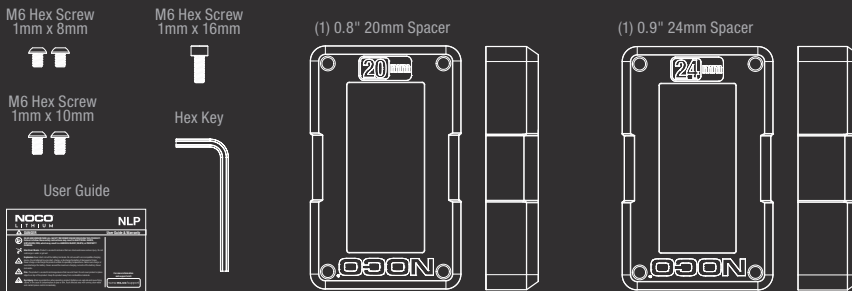
## TECHNICAL SPECIFICATIONS

BCI SIZE:	5
CHEMISTRY:	Lithium Iron Phosphate (LiFePO4)
NOMINAL VOLTAGE:	12.8
AMP-HOURS:	2
WATT-HOURS (WH):	25.6
STARTING CURRENT:	250
CHARGING VOLTAGE (V):	14.6V
CHARGING CURRENT (A):	6A (Max)
OPERATING TEMPERATURE:	-20°C to 60°C
CHARGING TEMPERATURE:	-10°C to 50°C
STORAGE TEMPERATURE:	-20°C to 60°C
WEIGHT:	1.5 lbs (0.69 kg)
VOLUMETRICS:	<p><b>Retail Packaging:</b> Dimensions: 5.87" x 4.17" x 4.65" Weight: 2.44 lbs UPC: 0-46221-19007-6</p> <p><b>Master Carton:</b> Dimensions: 13.50" x 6.18" x 10.63" Weight: 15.93 lbs Quantity: 6 UCG: 10046221190073</p> <p><b>Inner Carton:</b> Dimensions: 6.02" x 4.37" x 5.04" Weight: 2.56 lbs</p>

## WHAT'S IN THE BOX



\*Accessories not to scale with NLP5



**NOCO**

30339 Diamond Parkway, #102  
Glenwillow, OH 44139 | USA  
1.800.456.6626

no.co

