

12V

7Ah



NLP20



INSANE PERFORMANCE. LITHIUM POWERSPORT BATTERY.™

2X

MORE POWER.

10X

MORE STARTS.

5X

LONGER LIFE.

DYNAMIC BMS.

Equipped with an auto-enabled, advanced battery management system that provides maximum protection, performance, and bi-directional cell equalization for long-lasting stability. No BMS reset needed.

ACTIVE PROTECTION.

Protects against over-charge, extreme-heat, short-circuit, over-discharge, extreme-cold, and over-current.

SHOCK ABSORPTION.

Designed with a custom rubber dampening base and foam inserts to extend the life of the battery and keep connections secure.



NOCO

30339 Diamond Parkway, #102
Glenwillow, OH 44139 | USA
1.800.456.6626

no.co

NOCO
LITHIUM

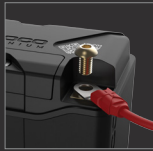
NOCO

UNIVERSAL MOUNTING.

Modular spacers can be added to alter the size and allow the battery to be safely and securely mounted. A removable mounting block allows the battery to fit more applications. The threaded insert enables direct-mounting for additional simplicity and security.



FEMALE.



SIDE.



TOP.



FRONT.



MULTI-CONNECTION TERMINALS.

Equipped with premium IP66 waterproof copper PCB plates. NLP Terminals can be mounted from the front, side, or top, and can be removed altogether depending on the application.

RAPID RECHARGE.

Use the Lithium mode on a Genius charger to fully recharge an NLP battery in minutes. See Genius models and charging times below.

COMPATABLE SIZES.

BCI SIZES

BTX20HL-BS
B16L-B
BTX15L-BS
BTX20L
B18L-A
BTZ20L
B16CL-B
B50-N18L-A3
BTX20L-BS
BTX15L

YUASA SIZES

GYZ20L
GYZ20HL
YTX20HL
YIX20HL
YTX20HL-PW
YTX20HL-BS
YTX20HL-BS-PW
YIX20HL-BS
YTX15L
YTX20L
YTX15L-BS
YTX20L-BS
YB16HL-A-CX
YB16L-B
YB16CL-B
SYB16L-B
Y50-N18L-A3

ETX SIZES

ETX16
ETX16L
ETX20L



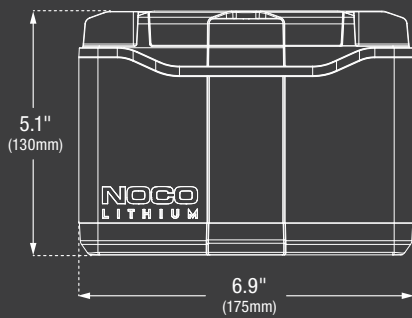
RECHARGE TIME

GENIUS1	420 Minutes
GENIUS2	210 Minutes
GENIUS5	84 Minutes
GENIUS10	42 Minutes

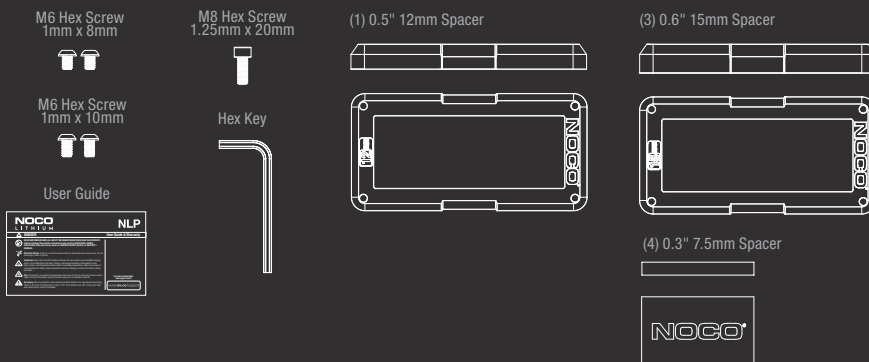
TECHNICAL SPECIFICATIONS

BCI SIZE:	20
CHEMISTRY:	Lithium Iron Phosphate (LiFePO4)
NOMINAL VOLTAGE:	12.8
AMP-HOURS:	7
WATT-HOURS (WH):	89.6
STARTING CURRENT:	600
CHARGING VOLTAGE (V):	14.6V
CHARGING CURRENT (A):	21A (Max)
OPERATING TEMPERATURE:	-20°C to 60°C
CHARGING TEMPERATURE:	-10°C to 50°C
STORAGE TEMPERATURE:	-20°C to 60°C
WEIGHT:	3.73 lbs (1.70 kg)
VOLUMETRICS:	<p>Retail Packaging: Dimensions: 7.83" x 3.7" x 8.15" Weight: 5.24 lbs UPC: 0-46221-19010-6</p> <p>Master Carton: Dimensions: 16.73" x 8.98" x 8.82" Weight: 22.70 lbs Quantity: 4 UCG: 10046221190073</p> <p>Inner Carton: Dimensions: 8.50" x 8.15" x 4.06" Weight: 5.48 lbs</p>

WHAT'S IN THE BOX



*Accessories not to scale with NLP20



NOCO

30339 Diamond Parkway, #102
Glenwillow, OH 44139 | USA
1.800.456.6626

no.co

