

NOCO BOOST[®] MAX[™] GB251+



DANGER

User Guide & Warranty



READ AND UNDERSTAND ALL SAFETY INFORMATION BEFORE USING THIS PRODUCT. Failure to follow these safety instructions may result in **ELECTRICAL SHOCK, EXPLOSION, FIRE, which may result in a SERIOUS INJURY, DEATH, or PROPERTY DAMAGE.**



Electrical Shock. Product is an electrical device that can shock and cause serious injury. Do not cut power cords. Do not submerge in water or get wet.



Explosion. Unmonitored, incompatible, or damaged batteries can explode if used with product. Do not leave product unattended while in use. Do not attempt to jump start a damaged or frozen battery. Use product only with batteries of recommended voltage. Operate product in well ventilated areas.



Fire. Product is an electrical device that emits heat and is capable of causing burns. Do not cover product. Do not smoke or use any source of electrical spark or fire when operating product. Keep product away from combustible materials.



Eye Injury. Wear eye protection when operating product. Batteries can explode and cause flying debris. Battery acid can cause eye and skin irritation. In the case of contamination of eyes or skin, flush affected area with running clean water and contact poison control immediately.



Explosive Gases. Working in the vicinity of a lead-acid is dangerous. Batteries generate explosive gases during normal battery operation. To reduce risk of battery explosion, follow all safety information instructions and those published by the battery manufacturer and manufacturer of any equipment intended to be used in the vicinity of battery. Review cautionary markings on these products and on engine.



GO batteries ⚡

For more information and
support visit:

www.no.co/support

Important Safety Warnings

CAUTION:

Manual Override Mode disables all safety measures. When used improperly and/or against our recommended use, it may result in injury or death and will void your warranty. Risk of fire, explosion, and burns. Do not disassemble, crush, heat above 60°C (140°F) or incinerate. This device is intended for temporary use outdoors and reasonable care should be exercised when using this device in wet conditions.

WARNING:

Do not overcharge the internal battery. See Instruction Manual. Do not smoke, strike a match, or cause a spark in the vicinity of the power pack. Only charge the internal battery in a well ventilated area when not in use.

CAUTION:

Risk of Injury To Persons. Do not use this product if the power cord or the battery cables are damaged in any way. This device is not intended for use in a commercial repair facility. This device is intended to be stored indoors when not in use. This device shall not be stored or left outdoors when not in use.

Proposition 65. WARNING: This product can expose you to chemicals including lead and exhaust fumes, which are known to the State of California to cause cancer and birth defects or other reproductive harm. For more information go to www.P65Warnings.ca.gov. **Personal Precaution.** Only use product as intended. Someone should be within range of your voice or close enough to come to your aid in case of emergency. Have a supply of clean water and soap nearby in the case of battery acid contamination. Wear complete eye protection and protective clothing while working near a battery. Always wash hands after handling batteries and related materials. Do not handle or wear any metal objects when working with batteries including; tools, watches or jewelry. If metal is dropped onto battery, it may spark or create a short circuit resulting in electrical shock, fire, explosion which may result in injury, death or property damage. **Minors.** If the product is intended by "Purchaser" to be used by a minor, purchasing adult agrees to provide detailed instructions and warnings to any minor prior to use. Failure to do so is the sole responsibility of the "Purchaser," who agrees to indemnify NOCO for any unintended use or misuse by a minor. **Choking Hazard.** Accessories may present a choking hazard to children. Do not leave children unattended with product or any accessory. The product is not a toy. **Handling.** Handle product with care. The product can become damaged if impacted. Do not use a damaged product, including, but not limited to, cracks to the casing or damaged cables. Do not use product with a damaged power cord. Humidity and liquids may damage product. Do not handle product or any electrical components near any liquid. Store and operate product

in dry locations. Do not operate product if it becomes wet. If product is already operating and becomes wet, disconnect it from the battery and discontinue use immediately. Do not disconnect the product by pulling on the cables. Modifications. Do not attempt to alter, modify or repair any part of the product. Disassembling product may cause injury, death or damage to property. If product becomes damaged, malfunctions or comes in contact with any liquid, discontinue use, and contact NOCO. Any modifications to the product will void your warranty. **Accessories.** This product is only approved for use with NOCO accessories. NOCO is not responsible for user safety or damage when using accessories not approved by NOCO. **Location.** Prevent battery acid from coming in contact with the product. Do not operate the product in a closed-in area or an area with restricted ventilation. Do not set a battery on top of product. Position cable leads to avoid accidental damage by moving vehicle parts (including hoods and doors), moving engine parts (including fan blades, belts, and pulleys), or what could become a hazard that may cause injury or death. **Operating Temperature.** This product is designed to work in ambient temperatures between -20° C to 50° C. Do not operate outside of temperature ranges. Do not jump start a frozen battery. Discontinue use of product immediately if the battery becomes excessively warm. **Storage.** Do not use or store your product in areas with high concentrations of dust or airborne materials. Store your product on flat, secure surfaces so it's not prone to falling. Store your product in a dry location. The storage temperature is -20°C to +50°C (0°C ~ +25°C daily average). Never exceed 80°C under any condition. **Compatibility.** The product is only compatible with 12-volt lead-acid battery systems only. Do not attempt to use product with any other type of battery. Jump starting other battery chemistries may result in injury, death or property damage. Contact the battery manufacturer prior to attempting to jump start the battery. Do not jump start a battery if you are unsure of the battery's specific chemistry or voltage. **The Battery.** The built-in lithium-ion battery in the product should be replaced only by NOCO, and must be recycled or disposed of separately from household waste. Do not attempt to replace the battery yourself and do not handle a damaged or leaking lithium-ion battery. Never dispose of battery in household trash. Disposal of batteries in household trash is unlawful under state and federal environmental laws and regulations. Always take used batteries to your local battery recycling center. If the product battery is excessively hot, emitting an odor, deformed, cut, or is experiencing or demonstrating an abnormal occurrence, immediately stop all use and contact NOCO. **Battery Charging.** Charge the product with the included 12VDC car charger or XGC4 wall charger. Do not use generic or third-party power adapters, as they may present a serious electrical risk that can result in injury to person, Device, and property. Using damaged cables or chargers, or charging when moisture is present, can result in electric shock. NOCO is not responsible for the user's safety, damage to Device, or damage to property when using accessories or power supplies that are not approved by NOCO. When using the XGC4 wall charger, make sure that the AC plug is fully inserted into the adapter before you plug it into a power outlet. The power adapter may become warm during normal use, and prolonged skin contact may cause bodily injury. Always allow adequate ventilation around the power adapter while in use. To ensure maximum battery life, avoid charging

your product for more than a week at a time, as overcharging may shorten battery life. Over time, an unused product will discharge and must be recharged before use. Disconnect the product from power sources when not in use. Use the product only for their intended purposes.

Medical Devices. Product may emit electromagnetic fields. Product contains magnetic components which may interfere with pacemakers, defibrillators, or other medical devices. These electromagnetic fields may interfere with pacemakers or other medical devices. Consult with your physician prior to use if you have any medical device including pacemakers. If you suspect the product is interfering with a medical device, stop using the product immediately and consult your physician. **Medical Conditions.** If you have any medical condition that you believe could be affected by product, including but not limited to; seizures, blackouts, eyestrain or headaches, consult your physician prior to use of product. The use of a integrated high-powered flashlight contains a light sensitivity hazard. Use of the light in Strobe Mode may cause seizures in persons with photosensitive epilepsy, which may result in serious injury or death. **Light.** Staring directly into the light beam or shine of the flashlight may result in permanent eye injury. The product is equipped with a high output LED pre-focused lamp that emits a powerful beam at the highest setting. **Cleaning.** Power off the product before attempting any maintenance or cleaning. Clean and dry product immediately if it comes in contact with liquid or any type of contaminant. Use a soft, lint-free (microfiber) cloth. Avoid getting moisture in openings. **Explosive Atmospheres.** Obey all signs and instructions. Do not operate product in any area with a potentially explosive atmosphere, including fueling areas or areas which contain chemicals or particles such as grain, dust or metal powders. **High-Consequence Activities.** This product is not intended for use where the failure of the product could lead to injury, death or severe environmental damage. **Radio Frequency Interference.** Product is designed, tested, and manufactured to comply with regulations governing radio frequency emissions. Such emissions from the product can negatively affect the operation of other electronic equipment, causing them to malfunction. **Model Number: GB251**This device complies with Part 15 of the FCC Rules. Operation is subject to the following two conditions: (1) this device may not cause harmful interference, and (2) this device must accept any interference received, including interference that may cause undesired operation. NOTE: This equipment has been tested and found to comply with the limits for a Class A digital device, pursuant to Part 15 of the FCC Rules. These limits are designed to provide reasonable protection against harmful interference when the equipment is operated in a commercial environment. This equipment generates, uses, and can radiate radio frequency energy and, if not installed and used in accordance with the instruction manual, may cause harmful interference to radio communications. Operation of this equipment in a residential area is likely to cause harmful interference in which case the user will be required to correct the interference at his own expense.

How To Use

Step 1: Charge the GB251.

The GB251 comes partially charged out of the box and needs to be fully charged prior to use. Connect the GB251 using the included 12V DC car charger or XGC4 wall charger to the 12V IN port. The time to recharge a GB251 will differ based on the discharge level and the power source used. Actual results may vary due to battery conditions and level of discharge.

When recharging, the charge level of the internal battery is indicated by the Charge LEDs. The LEDs will slowly pulse 'On' and 'Off' and become solid until all four Charge LEDs are on. When the battery is fully charged, the Green 100% LED will be solid, and the 25%, 50% and 75% Charge LEDs will turn "Off". From time to time, the Green 100% LED will pulse indicating maintenance charging is occurring.

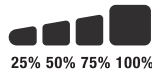
Step 2: Connect to the Battery.

Carefully read and understand the vehicle owner's manual on specific precautions and recommended methods for jump starting the vehicle. Make sure to determine the voltage and chemistry of the battery by referring to your battery owner's manual prior to using this product. The GB251 is for jump starting 24-volt lead-acid battery systems only. Before connecting to the battery, verify that you have a 24-volt lead-acid battery system. The GB251 is not suitable for any other type of battery. Identify the correct polarity of the battery terminals on the battery. The positive battery terminal is typically marked by these letters or symbol (POS,P,+). The negative battery terminal is typically marked by these letters or symbol (NEG,N,-). Do not make any connections to the carburetor, fuel lines, or thin, sheet metal parts. The below instructions are for a negative ground system (most common). If your vehicle is a positive ground system (very uncommon), consult the vehicle's manual for proper jump starting instructions.

1.) Connect the positive (red) battery clamp to the positive (POS,P,+) battery terminal and the negative (black) battery clamp to the negative (NEG,N,-) battery terminal or vehicle chassis.

Recharge Time:	Charger Rating:
8.5hr	56W

Internal Battery Level



Step 3: **Jump Starting.**

- 1.)** Make sure all of the vehicle's power loads (headlights, radio, air conditioning, etc.) are turned off before attempting to jump start the vehicle.
- 2.)** Press the power button to begin jump starting, and all LEDs will flash once. If you are properly connected to the battery, the white boost LED will illuminate and the battery charge LEDs will chase. A 60-second timeout countdown will begin as soon as a battery is detected.
- 3.)** Try starting the vehicle. Most vehicles will immediately start. Some vehicles may require the GB251 to be connected for up to 30 seconds before starting. If the vehicle does not start right away, wait 20-30 seconds and try again. Do not attempt more than five (5) consecutive jump starts within a fifteen (15) minute period. Allow the GB251 to rest for fifteen (15) minutes before attempting to jump start the vehicle again.
- 4.)** Once you have started your vehicle, disconnect the battery clamps, and remove the GB251.

60-Second Timeout.

A 60-second countdown will be initiated as soon as a battery is detected. After 60 seconds has elapsed, the jump starting function will be disabled. The boost LED will turn off and the internal battery charge LEDs will indicate the current charge level of the unit. To reset the jump-starting function, press the power button to power off the unit. Press the power button again to power on the unit and restart the jump starting function.

CAUTION.

60-SECOND TIMEOUT IS DISABLED WHILE USING MANUAL OVERRIDE MODE. POWER WILL CONTINUE TO BE SUPPLIED WHILE MANUAL OVERRIDE IS ACTIVE. TO MAXIMIZE THE NUMBER OF JUMP-STARTS, IT IS RECOMMENDED TO TURN OFF THE BOOST-UNIT AS SOON AS THE VEHICLE HAS STARTED.

Low Voltage Batteries & Manual Override.

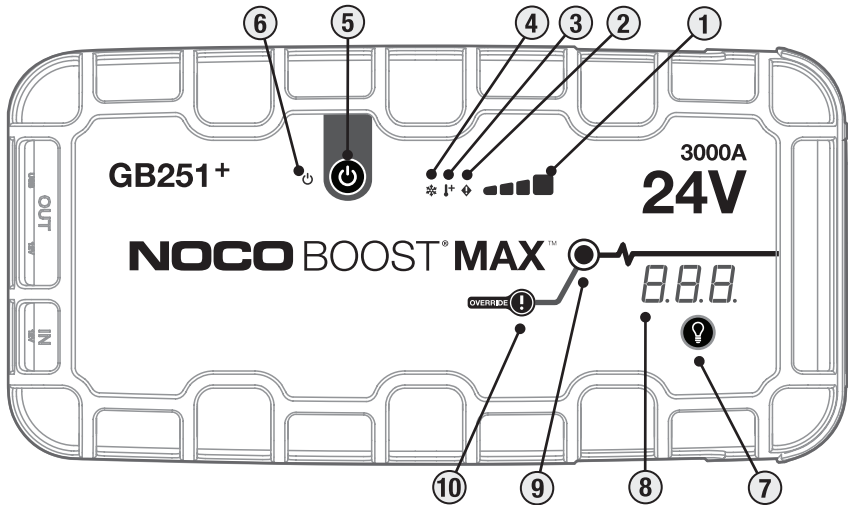
The GB251 is designed to jump start 24-volt lead-acid battery systems down to 3-volts. If your battery is below 3-volts, the boost LED will be "off". This is an indication that the GB251 can not detect a battery. If you need to jump start a battery below 3-volts there is a manual override feature, which allows you to force "on" the jump start function. If the battery is below 3-volts, the boost LED will be off and the voltmeter will not display a voltage.

CAUTION.

USE THIS MODE WITH EXTREME CARE. THIS MODE IS FOR 24-VOLT LEAD-ACID BATTERIES ONLY. BOTH THE SPARK PROOF AND REVERSE POLARITY PROTECTION FEATURES ARE DISABLED. PAY VERY CLOSE ATTENTION TO THE POLARITY OF THE BATTERY BEFORE USING THIS MODE. DO NOT ALLOW THE POSITIVE AND NEGATIVE BATTERY CLAMPS TO TOUCH OR CONNECT TO EACH OTHER AS THE PRODUCT WILL GENERATE SPARKS. THIS MODE USES VERY HIGH CURRENT (UP TO 3000 AMPS) THAT CAN CAUSE SPARKS AND HIGH HEAT IF NOT USED PROPERLY. IF YOU ARE UNSURE ABOUT USING THIS MODE, DO NOT ATTEMPT AND SEEK PROFESSIONAL HELP.

Powering Your USB & 12V Devices.




The GB251 has (2) USB-OUT ports and a 12V-OUT port (12V AUX/ cigarette lighter port). Plug-in any standard USB device or 12V device (Up to 15A) and turn the GB251 "on" to start powering your devices.



Interface

- 1.) Internal Battery Level** Indicates the charge level of the internal battery.
- 2.) Error LED** Illuminates red if reverse polarity is detected, or blinks "on" and "off" in various sequences (from 1 to 6 blinks) to convey error conditions.
- 3.) Hot LED** Illuminates solid red; unit is fully operational, but approaching upper temperature limit. Flashing red; unit is too hot to jump start, only the flashlight is available in this state.
- 4.) Cold LED** Illuminates solid blue; unit is fully operational, but approaching lower temperature limit. Flashing blue; unit is too cold to jump start, only the flashlight is available in this state.
- 5.) Power Button** Push to turn unit "on" & "off".
- 6.) Power LED** Illuminates white when unit is "on". Will illuminate orange after the 60-second timeout countdown until the clamps are removed from the Car Battery or the GB251 is power cycled 'off' and back 'on' again.
- 7.) Light Mode Button** Toggles the ultra-bright LED light through 7 light modes: 100% > 50% > 10% > SOS > Blink > Strobe > Off
- 8 . Voltmeter/Countdown Timer.** The built-in voltmeter reads the voltage of the vehicle's battery for enhanced diagnostics and troubleshooting. The voltmeter will automatically read the voltage of any battery (or battery system) when the battery clamps are connected - even if the unit is powered off. The voltmeter will read voltage between ~3V to ~30V. If the connected battery is below 3V, nothing will display. In this situation, it is likely there is a load(s) on the battery, such as, headlights or an AC fan that should be shut off before attempting to start the vehicle. While the unit is on and after a battery is detected, the voltmeter will display the 60-second timeout countdown.
- 9.) Boost LED** Illuminates white when boost is active. If the unit is connected properly to a battery, the GB251 will automatically detect a battery and go into boost mode (LED flashes white when manual override feature is active).
- 10.) Manual Override Button** To enable, push and hold for three (3) seconds. **WARNING: Disables safety protection and manually forces boost "on". Only for use when a battery voltage is too low to be detected.**

Troubleshooting

	Error	Reason/Solution
	Error LED: Solid Red	Reverse polarity / Reverse the battery connections.
	Error LED: Blinking Red w/Cables Connected Properly	Short circuit detected at the clamps. / Have battery checked by a professional.
	Single (1) Flash	Short circuit detected on battery clamps. / Remove all loads, reconnect clamps to battery.
	Double (2) Flash	High voltage detected at clamps (the GB251 is connected to a voltage system greater than 24V).
	Quadruple (4) Flash	Charge timeout error (i.e. the GB251 has been in bulk charge for too long)
	Quintuple (5) Flash	XGC OUT over current (i.e. more than 15amps is being drawn from the XGC OUT port)
	Sextuple (6) Flash	BMS (Battery Management System) Fault. (Power GB251 "off" and "on" again to clear. If problem persists contact Customer Support)
	Hot LED: Solid	Unit is fully operational, but approaching upper temperature limit. / Allow the unit to cool.
	Hot LED: Flashing	Unit is too hot to jump start, only the flashlight is available in this state. / Allow the unit to cool.
	Hot LED: Flashes Then All LEDs Off	Unit is too hot to jump start or use other functions. / Allow the unit to cool, and bring the unit into cooler environment.
	Cold LED: Solid	Unit is fully operational, but approaching lower temperature limit. / Allow the unit to warm up.
	Cold LED: Flashing	Unit is too cold to jump start, only the flashlight is available in this state / Allow the unit to warm up.
	Cold LED: Flashes Then All LEDs Off	Unit is too cold to jump start or use other functions. / Allow the unit to warm up, and bring the unit into warmer environment.
	Boost Light Does Not Come On w/Cables Connected Properly	Connected battery is below 3-volts / Remove all loads, and try again, or use manual override mode.

Technical Specifications

Internal Battery: 137Wh Lithium Ion	12V (Input): 12V/5A (14V Max)
Peak Current Rating: 3000A	12V (Output): 12V, 15A Max
Operating Temperature: -20°C to +50°C	Housing Protection: IP65 (w/Ports Closed)
Charging Temperature: 0°C to +40°C	Cooling: Natural Convection
Storage Temperature: -20°C to +50°C (Avg Temp.)	Dimensions (L x W x H): 12.5 x 13.65 x 3.7 Inches
USB (Output): 5V, 2.1A	Weight: 13.65 Pounds

NOCO One (1) Year Limited Warranty

NOCO warrants that this product (the "Product") will be free from defects in material and workmanship for a period of one (1) year from the date of purchase (the "Warranty Period"). For defects reported during the Warranty Period, NOCO will, at its discretion, and subject to NOCO's technical support analysis, either repair or replace defective Products. Replacement parts and products will be new or serviceably used, comparable in function and performance to the original part and warranted for the remainder of the original Warranty Period.

NOCO'S LIABILITY HEREUNDER IS EXPRESSLY LIMITED TO REPLACEMENT OR REPAIR. TO THE MAXIMUM EXTENT PERMITTED BY LAW, NOCO SHALL NOT BE LIABLE TO ANY PURCHASER OF THE PRODUCT OR ANY THIRD PARTY FOR ANY SPECIAL, INDIRECT, CONSEQUENTIAL OR EXEMPLARY DAMAGES, INCLUDING, BUT NOT LIMITED TO, LOST PROFITS, PROPERTY DAMAGE OR PERSONAL INJURY, RELATED IN ANY WAY TO THE PRODUCT, HOWSOEVER CAUSED, EVEN IF NOCO HAD KNOWLEDGE OF THE POSSIBILITY OF SUCH DAMAGES. THE WARRANTIES SET FORTH HEREIN ARE IN LIEU OF ALL OTHER WARRANTIES, EXPRESS, IMPLIED, STATUTORY OR OTHERWISE, INCLUDING, WITHOUT LIMITATION, THE IMPLIED WARRANTIES OF MERCHANTABILITY AND FITNESS FOR A PARTICULAR PURPOSE, AND THOSE ARISING FROM COURSE OF DEALING, USAGE OR TRADE PRACTICE. IN THE EVENT THAT ANY APPLICABLE LAWS IMPOSE WARRANTIES, CONDITIONS OR OBLIGATIONS THAT CANNOT BE EXCLUDED OR MODIFIED, THIS PARAGRAPH SHALL APPLY TO THE GREATEST EXTENT ALLOWED BY SUCH LAWS.

This Limited Warranty is made solely for the benefit of the original purchaser of the Product from NOCO or from a NOCO approved reseller or distributor and is not assignable or transferable. To assert a warranty claim, the purchaser must: (1) request and obtain a return merchandise authorization ("RMA") number and return location information (the "Return Location") from NOCO Support by emailing support@no.co or by calling 1.800.456.6626; and (2) send the Product, including RMA number, receipt or a warranty fee (fee required only if not providing receipt) of 45% of MSRP of the defective Product (the "Warranty Fee") [RMA will include applicable Warranty Fee amount] to the Return Location. DO NOT SEND IN PRODUCT WITHOUT FIRST OBTAINING AN RMA FROM NOCO SUPPORT.

The original purchaser is responsible (and must prepay) all packaging and transportation costs to ship products for warranty service.

NOTWITHSTANDING THE ABOVE, THIS LIMITED WARRANTY IS VOID AND DOES NOT APPLY TO PRODUCTS THAT: (a) are misused, mishandled, subjected to abuse or careless handling, accident, improperly stored, or operated under conditions of extreme voltage, temperature, shock, or vibration beyond NOCO's recommendations for safe and effective use; (b) improperly installed, operated or maintained; (c) are/were modified without the express written consent of NOCO; (d) have been disassembled, altered or repaired by anyone other than NOCO; (e) the defects of which were reported after the Warranty Period.

THIS LIMITED WARRANTY DOES NOT COVER: (1) normal wear and tear; (2) cosmetic damage that does not affect functionality; or (3) Products where the NOCO serial number is missing, altered, or defaced.

HASSLE-FREE WARRANTY CONDITIONS

These conditions apply only to Product during the Warranty Period. The Hassle-Free Warranty is void either by elapsed time from date of purchase (elapsed time from serial number date, if no proof of purchase) or from the conditions listed earlier in this document. Return Product with the appropriate documentation.

With Receipt:

1 Year: No charge. With proof of purchase, the warranty period begins on date of purchase.

With NO Receipt:

1 Year: No charge. With no proof of purchase, the warranty period begins on the serial number date.

You may register your NOCO product online at: no.co/register. If you have any questions regarding your warranty or product, contact NOCO Support (email and phone number above) or write to: The NOCO Company, at 30339 Diamond Parkway, #102, Glenwillow, OH 44139 USA.

NOCO BOOST[®] MAX[™] GB251+



DANGER

Guide d'utilisation et garantie



LISEZ ATTENTIVEMENT TOUTES LES CONSIGNES DE SÉCURITÉ AVANT D'UTILISER CE PRODUIT. La non-application des consignes de sécurité peut résulter en UN CHOC ÉLECTRIQUE, UNE EXPLOSION, DU FEU, ce qui peut conduire à de GRAVES BLESSURES, LA MORT ou des DÉGÂTS MATÉRIELS.



Choc électrique. Le produit est un appareil électrique qui peut causer des chocs et des blessures graves. Ne coupez pas les cordons d'alimentation. Ne pas immerger ni mouiller.



Explosion. Des batteries non-surveillées, incompatibles ou endommagées peuvent exploser si elles sont utilisées avec ce produit. N'utilisez pas ce produit sans le surveiller. Ne tentez pas de démarrer une batterie endommagée ou gelée. N'utilisez ce produit qu'avec les batteries recommandées. Utilisez ce produit dans des lieux bien aérés.



Feu. Le produit est un appareil électrique émettant de la chaleur et capable de causer des brûlures. Ne couvrez pas le produit. Ne fumez pas et n'utilisez aucune source d'étincelles ou de feu quand vous utilisez ce produit. Tenez le produit à l'écart de matériaux combustibles.



Blessures aux yeux. Utilisez des lunettes de protection lors de l'utilisation du produit. Les batteries peuvent exploser et projeter des débris. L'acide des batteries peut causer des irritations de la peau et des yeux. Dans le cas de contact avec les yeux ou la peau, rincez abondamment le point de contact avec de l'eau courante propre et contactez immédiatement le centre anti-poison.



Gaz explosifs. Travailler à proximité de l'acide de plomb est dangereux. Les batteries produisent un gaz explosif durant leur utilisation normale. Pour réduire le risque d'explosion de batteries, conformez-vous à toutes les consignes de sécurité indiquées ici et celles indiquées par le fabricant de la batterie, ainsi que de celles de tout équipement utilisé dans les environs de la batterie. Prenez connaissance des indications de sécurité sur ces produits et sur le moteur.

Français

Pour plus d'informations,
rendez-vous sur le site:

www.no.co/support

Indications de sécurité importantes

MISE EN GARDE

Le mode manuel désactive toutes les mesures de sécurité. Toute utilisation incorrecte et/ou contraire à l'utilisation recommandée peut causer des blessures ou la mort et entraîne l'annulation de votre garantie. Risque d'incendie, d'explosion et de brûlures. Ne démontez pas, n'écrasez pas, ne chauffez pas à plus de 60 °C (140 °F) et n'incinerez pas l'appareil. Cet appareil est conçu pour une utilisation temporaire à l'extérieur et vous devez prendre toutes les précautions raisonnables en cas d'utilisation dans des conditions humides.

ATTENTION

Ne surchargez pas la batterie interne. Veuillez lire le manuel d'instructions. Ne fumez pas, n'allumez pas d'allumettes et ne générez pas d'étincelles à proximité du bloc d'alimentation. Ne chargez la batterie interne que dans un endroit bien ventilé lorsque vous ne l'utilisez pas.

MISE EN GARDE

Risque de blessure corporelle. N'utilisez pas cet appareil si le cordon d'alimentation ou les câbles de la batterie sont endommagés de quelque manière que ce soit. Cet appareil n'est pas conçu pour une utilisation dans un centre de réparation commercial. Cet appareil est conçu pour être entreposé à l'intérieur lorsqu'il n'est pas utilisé. Cet appareil ne doit pas être entreposé ou laissé à l'extérieur lorsqu'il n'est pas utilisé.

Proposition 65. AVERTISSEMENT: Ce produit peut vous exposer à des agents chimiques, y compris plomb et gaz d'échappement, identifiés par l'État de Californie comme pouvant causer le cancer et des malformations congénitales ou autres effets nocifs sur la reproduction. Pour de plus amples informations, prière de consulter www.P65Warnings.ca.gov. **Précaution personnelle.** N'utilisez le produit que pour les applications recommandées. Veillez à ce qu'il y ait toujours une personne à portée de voix pour pouvant vous venir en aide en cas d'urgence. Gardez suffisamment d'eau propre avec du savon près de vous en cas de contact avec l'acide de la batterie. Portez une protection des yeux et des vêtements de protection quand vous travaillez près d'une batterie. Lavez-vous toujours les mains après avoir manipulé des batteries et des matériaux correspondants. Ne manipulez pas ou ne portez pas d'objets en métal quand vous utilisez des batteries y compris des outils, des montres ou de bijoux. Si du métal tombe sur une batterie, cela peut causer une étincelle ou un court circuit résultant en un choc électrique, du feu, une explosion pouvant résulter en des blessures, la mort ou des dommages matériels. **Mineurs.** Si le produit doit être utilisé par un mineur, l'adulte achetant le produit s'engage à expliquer au mineur les instructions de sécurité détaillées et toutes les mises en garde

nécessaires avant la première utilisation. Ne pas suivre cette recommandation relève entièrement de la responsabilité de l'acheteur qui accepte d'indemniser NOCO pour toute utilisation non-intentionnelle, bonne ou mauvaise, par un mineur. **Risque d'étouffement.** Les produits risquent d'étouffer les enfants si ils sont avalés ou mis dans leur bouche. Ne laissez pas des enfants avec le produit sans surveillance. Le produit n'est pas un jouet. **Manipulation.** Manipulez le produit avec soin. Le produit peut être endommagé s'il subit un choc. N'utilisez pas un produit endommagé, même s'il ne présente que des traces de dommages que vous jugez minimales, comme des fêlures sur le boîtier ou des câbles endommagés, ou d'autres signes. N'utilisez pas le produit avec un cordon d'alimentation abîmé. L'humidité et les liquides peuvent endommager le produit. Ne manipulez pas le produit ou n'importe quel composant électrique près d'une source eau. Entrez le produit dans des endroits secs. N'utilisez pas le produit s'il est mouillé. Si le produit est en fonctionnement et est mouillé, déconnectez-le de la batterie et cessez l'utilisation immédiatement. Ne déconnectez pas le produit en tirant sur les cordons d'alimentation. Modifications. Ne tentez pas de modifier, de changer ou de réparer le produit. Démontez le produit peut causer des blessures, la mort ou des dommages matériels. Si le produit est endommagé, fonctionne mal ou entre en contact avec du liquide, cessez son utilisation et contactez NOCO. Toute modification au produit annule votre garantie. **Accessoires.** Ce produit est utilisable avec accessoires NOCO seulement. NOCO n'est pas responsable pour tout dommage ou incident en cas d'utilisation avec des accessoires qui ne sont pas recommandés par NOCO. **Lieu d'utilisation.** Empêchez l'acide de la batterie d'entrer en contact avec le produit. N'utilisez pas le produit dans un lieu fermé ou mal ventilé. Ne placez pas de batteries sur le produit. Placez les câbles pour éviter des dommages accidentels provoqués par des parties mobiles d'un véhicule (y compris les portières et les capots), des parties mobiles du moteur (y compris des lames de ventilateur, des courroies et des arbres de transmission). Tout risque non pris en compte peut causer des blessures ou la mort. **Température de fonctionnement.** Ce produit est conçu pour fonctionner à des températures ambiantes entre -20 °C jusqu'à 50 °C. Ne le faites pas fonctionner en dehors de ces plages. Ne démarrez jamais une batterie gelée. Cessez immédiatement l'utilisation d'un produit si la batterie devient excessivement chaude. **Entreposage.** N'utilisez et n'entrez pas votre produit dans des zones de fortes concentration de poussière ou de matériaux volants. Entrez votre produit sur des surfaces planes et sûres afin d'éviter tout risque de chute. Entrez votre produit dans un endroit sec. La température d'entreposage est comprise entre -20 °C et 50 °C (0°C à +25°C température moyenne). Ne dépassez sous aucune condition 80°C. **Compatibilité.** Le produit est uniquement compatible avec les systèmes de batterie au plomb de 12 volts. N'essayez pas d'utiliser le produit avec un autre type de batterie. Le démarrage rapide d'une batterie de formule chimique différente peut entraîner des blessures, la mort ou des dommages matériels. Contactez le fabricant de la batterie avant d'essayer de la démarrer. Ne démarrez pas une batterie si vous n'êtes pas sûr de sa formule chimique ou de sa tension spécifique. **La Batterie.** La batterie ions-lithium intégrée au produit devrait être remplacée par NOCO seulement et doit être recyclée ou séparée de déchets ménagers. N'essayez pas de remplacer la batterie vous-même et ne manipulez pas une batterie ions-lithium endommagée ou qui fuit. Ne jetez jamais une batterie dans les ordures ménagères. Jeter une batterie

avec les ordures ménagères est contraire aux lois et réglementations fédérales et de l'État de Californie. Amenez toujours vos batteries usées au centre de recyclage de batterie le plus proche. Si la batterie du produit est excessivement chaude, émet une odeur, est déformée, coupée, présente un phénomène étrange, cessez toute utilisation immédiatement et contactez NOCO. **Chargement de la batterie.** Chargez le produit avec le chargeur mural XGC4 ou le chargeur de voiture 12 V CC inclus. N'utilisez pas d'adaptateurs d'alimentation génériques ou tiers, car ils peuvent présenter un risque électrique grave pouvant entraîner des blessures physiques, ou des dommages pour l'appareil ou des biens. L'utilisation de câbles ou de chargeurs endommagés, ou le chargement en présence d'humidité, peut entraîner un choc électrique. NOCO n'est pas responsable de la sécurité de l'utilisateur, des dommages à l'appareil ou des dommages matériels lors de l'utilisation d'accessoires ou d'alimentations non approuvés par NOCO. Lorsque vous utilisez le chargeur mural XGC4, assurez-vous que la fiche secteur est complètement insérée dans l'adaptateur avant de le brancher sur une prise de courant. L'adaptateur secteur peut devenir chaud durant une utilisation normale et un contact prolongé avec la peau peut provoquer des blessures corporelles. Veillez toujours à assurer une ventilation adéquate autour de l'adaptateur secteur pendant son utilisation. Pour assurer une durée de vie maximale de la batterie, évitez de charger votre produit pendant plus d'une semaine à la fois, car une surcharge peut réduire sa durée de vie. Au fil du temps, un produit non utilisé se décharge et doit être rechargé avant utilisation. Débranchez le produit des sources d'alimentation lorsqu'il n'est pas utilisé. Utilisez le produit uniquement aux fins pour lesquelles il a été conçu. **Appareils médicaux.** Le produit peut émettre des champs électro-magnétiques. Le produit comprend certains composants magnétiques pouvant interagir avec des pacemakers, des défibrillateurs ou d'autres appareils médicaux. Ces champs électro-magnétiques peuvent interférer avec des pacemakers et d'autres appareils médicaux. Consultez votre médecin avant toute utilisation si vous avez un pacemaker ou tout autre appareil médical. Si vous pensez que votre appareil interfère avec un appareil médical, arrêter immédiatement d'utiliser le produit et consulter un médecin. **Maladies.** Si vous êtes malade et pensez que le produit pourrait avoir un effet sur votre santé comprenant, mais sans être limité à, des convulsions, des pertes de conscience, des douleurs oculaires ou des maux de tête, consultez votre médecin avant d'utiliser le produit. L'utilisation de la lampe haute intensité intégrée peut être risquée en cas de sensibilité à la lumière. L'utilisation du mode stroboscopique peut causer des convulsions chez des personnes atteintes d'épilepsie photosensible, pouvant à son tour causer des blessures graves ou la mort. **Lumière.** Fixer directement le faisceau lumineux de la lampe intégrée peut causer des dommages oculaires permanents. Le produit est équipé d'un LED haute intensité à point focal fixé émettant un puissant faisceau lumineux au réglage le plus élevé. **Nettoyage.** Déconnectez le produit avant de tenter son entretien ou nettoyage. Nettoyez le produit immédiatement s'il entre en contact avec un liquide ou tout autre type de contaminant. Utilisez un tissu doux et ne peluchant pas (micro-fibres). Évitez que de l'humidité pénètre dans les trous. **Atmosphères explosives.** Obéissez à tous les signes et instructions. N'utilisez aucun produit dans une zone à atmosphère potentiellement explosive, y compris des stations essences, des endroits avec des produits chimiques, de la poussière, des poudres métalliques ou des stockages à grain. **Activités à risque.** Ce produit n'est pas destiné à une

utilisation dont la défaillance pourrait conduire à des blessures, la mort ou de sérieux dégâts à l'environnement. **Interférences avec des fréquences radio.** Le produit est conçu, testé et fabriqué pour être conforme aux réglementations des fréquences radio. Les rayonnements du produit peuvent avoir un effet négatif sur le fonctionnement d'autres appareils électriques, provoquant un dysfonctionnement. **Numéro du modèle : GB251** Cet appareil est conforme à la partie 15 de la réglementation FCC. L'utilisation est soumise aux deux conditions suivantes : (1) l'appareil ne devra pas causer d'interférences dommageables et (2) l'appareil doit pouvoir subir des interférences y compris des interférences pouvant causer un fonctionnement non-souhaité. NOTE : Cet équipement a été testé et est certifié conforme aux valeurs des appareils numériques de classe A, faisant suite à la partie 15 de la réglementation FCC. Ces valeurs-limite sont fixées pour fournir un degré de protection raisonnable en cas d'interférence dommageable si l'équipement est utilisé dans un contexte commercial. Cet équipement génère, utilise et peut émettre des rayonnements sur des fréquences radio et s'il n'est pas utilisé en conformément au manuel d'utilisation, peut causer des interférences dommageables aux communications radio. L'utilisation de cet équipement dans une zone d'habitation peut potentiellement conduire à des interférences dommageables, dans quel cas l'utilisateur sera prié de corriger les effets de l'interférence à ses frais.

L'utilisation

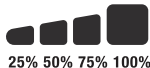
Étape 1 : Charger le GB251.

Le GB251 est livré partiellement chargé et doit être complètement rechargé avant utilisation. Connectez le GB251 à l'aide du chargeur mural XGC4 ou du chargeur de voiture 12 V CC inclus au port 12V IN. Le temps de recharge d'un GB251 diffère en fonction du niveau de décharge et de la source d'alimentation utilisée. Les résultats réels peuvent varier en fonction de l'état de la batterie et du niveau de décharge.

Lors du rechargement, le niveau de la batterie interne est indiqué par les LEDs de charge. Les LEDs alterneront lentement entre 'On' et 'Off' et resteront stables jusqu'à ce que les quatre LEDs de charge soient allumés. Quand la batterie sera pleinement chargée, le LED vert marqué 100% sera stable, et les LEDs de charge 25%, 50% et 75% seront 'Off'. De temps à autre, le LED vert 100% pulsera pour indiquer qu'un chargement d'entretien est en cours.

Temps de rechargement :	Évaluation du chargeur :
5hr	56W

Niveau de la batterie interne



Étape 2 : **Connectez la batterie.**

Lisez attentivement et comprenez le manuel du propriétaire du véhicule pour connaître les précautions spécifiques et les méthodes recommandées pour son démarrage rapide. Assurez-vous de déterminer la tension et la formule chimique de la batterie en vous référant à son manuel d'utilisation avant d'utiliser ce produit. Le GB251 est uniquement destiné aux systèmes de batterie au plomb de 24 volts à démarrage rapide. Avant de connecter la batterie, vérifiez que vous disposez d'un système de batterie au plomb de 24 volts. Le GB251 ne convient à aucun autre type de batterie. Identifiez la polarité correcte des bornes sur la batterie. La borne positive de la batterie est généralement marquée par ces lettres ou symboles (POS, P, +). La borne négative de la batterie est généralement marquée par ces lettres ou symboles (NEG, N, -). N'effectuez aucune connexion avec un carburateur, des conduites de carburant ou des pièces métalliques minces. Les instructions ci-dessous concernent un système de mise à la terre négative (le plus courant). Si votre véhicule comporte un système de mise à la terre positive (très rare), consultez le manuel du véhicule pour les instructions de démarrage d'appoint appropriées.

1.) Connectez la pince de la borne positive (rouge) de la batterie d'appoint à la borne positive (POS,P,+) de la batterie et la pince de la borne négative (noire) de la batterie d'appoint à la borne négative (NEG,N,-) de la batterie ou au châssis du véhicule.

Étape 3 : **Démarrage rapide.**

1.) Assurez-vous que toutes les fonctions du véhicules type phares, radio, climatisation etc.) sont éteintes avant de tenter un démarrage rapide du véhicule.

2.) Appuyez sur le bouton d'alimentation pour commencer le démarrage rapide et toutes les LED clignoteront une fois. Si vous êtes correctement connecté à la batterie, la DEL blanche de suralimentation s'allumera et les LED de charge de la batterie clignoteront. Un compte à rebours de 60 secondes commencera dès qu'une batterie est détectée.

3.) Tentez de démarrer le véhicule. La plupart des véhicules démarreront immédiatement. Certains véhicules nécessiteront que le GB251 soit connecté pendant 30 secondes avant de démarrer. Si le véhicule ne démarre pas tout de suite, attendez 20 à 30 secondes et essayez à nouveau. Ne faites pas plus de cinq (5) tentatives dans une période de quinze (15) minutes. Faites une pause de 15 minutes avant d'utiliser à nouveau le GB251 pour démarrer rapidement votre véhicule.

4.) Une fois que vous aurez démarré votre véhicule, déconnectez les pinces de la batterie et enlevez le GB251.

Décompte de 60 secondes.

Un décompte de 60 secondes commencera dès qu'une batterie sera détectée. Après 60 secondes, la fonction de démarrage rapide sera désactivée. La LED Boost s'éteindra alors et les LED de charge de la batterie interne indiqueront le niveau de charge actuel de l'appareil. Pour réinitialiser la fonction de démarrage rapide, appuyez sur le bouton d'alimentation pour éteindre l'appareil. Appuyez à nouveau sur le bouton d'alimentation pour mettre en marche l'appareil et relancer la fonction de démarrage rapide.

ATTENTION.

LE DÉCOMPTÉ DE 60 SECONDES EST DÉACTIVÉ LORSQUE VOUS UTILISEZ LE MODE DE CONTOURNEMENT MANUEL. L'ALIMENTATION CONTINUE D'ÊTRE DÉLIVRÉE LORSQUE LE MODE MANUEL EST ACTIVÉ. POUR OPTIMISER LE NOMBRE DE DÉMARRAGES RAPIDES, NOUS VOUS RECOMMANDONS D'ÉTEINDRE L'APPAREIL DÈS QUE LE VÉHICULE A DÉMARRÉ.

Batteries à basse tension & Contournement manuel

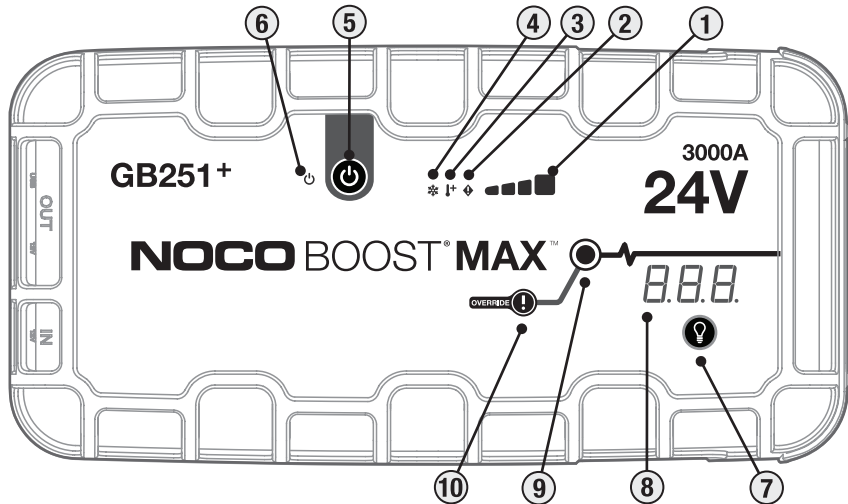
Le GB251 est conçu pour démarrer les systèmes de batterie au plomb de 24 volts jusqu'à 2 volts. Si votre batterie est inférieure à 2 volts, la LED de suralimentation sera en position « off ». Ceci indique que le GB251 ne peut pas détecter une batterie. Si vous avez besoin de démarrer une batterie en dessous de 2 volts, il existe une fonction de neutralisation qui vous permet de forcer « on » pour la fonction de démarrage rapide. Si la batterie est inférieure à 2 volts, la LED de suralimentation sera éteinte et le voltmètre n'affichera pas de tension.

ATTENTION.

UTILISEZ CE MODE AVEC UN SOIN EXTRÊME. CE MODE EST UNIQUEMENT VALABLE POUR LES SYSTÈMES DE BATTERIE AU PLOMB DE 24 VOLTS. LES FONCTIONS DE PROTECTION ANTI-ÉTINCELLES ET DE PROTECTION CONTRE LA POLARITÉ INVERSÉE SONT DÉACTIVÉES. SOYEZ TRÈS ATTENTIF À LA POLARITÉ DE LA BATTERIE AVANT D'UTILISER CE MODE. NE LAISSEZ PAS LES PINCES POSITIVES ET NÉGATIVES DE LA BATTERIE SE TOUCHER OU SE CONNECTER ENSEMBLE, CAR LE PRODUIT GÉNÉRERAIT DES ÉTINCELLES. CE MODE UTILISE UN COURANT TRÈS ÉLEVÉ (JUSQU'À 3000 A) QUI PEUT CAUSER DES ÉTINCELLES ET UNE CHALEUR ÉLEVÉE S'IL N'EST PAS UTILISÉ CORRECTEMENT. EN CAS DE DOUTE POUR UTILISER CE MODE, N'ESSEYEZ PAS ET DEMANDEZ L'AIDE D'UN PROFESSIONNEL.

Alimentation de vos appareils USB et 12 V.

Le GB251 dispose de (2) ports USB-OUT et d'un port 12V-OUT (port 12V AUX / allume-cigare). Branchez n'importe quel appareil USB standard ou appareil 12 V (jusqu'à 15 A) et allumez le GB251 pour commencer à alimenter vos appareils.



Interface

- 1.) Niveau de la batterie interne** Indique le niveau de charge de la batterie interne.
- 2.) LED Error** S'allume en rouge si une polarité inversée est détectée, ou clignote «on» et «off» dans diverses séquences (de 1 à 6 clignotements) pour indiquer les conditions d'erreur.
- 3.) La DEL Chaud (Hot)** s'illumine en rouge continu : l'unité est entièrement opérationnelle, mais approche la limite supérieure de température. Rouge clignotant; l'unité est trop chaude pour démarrer, seule la lampe de poche est disponible dans cet état.
- 4.) La DEL Froid (Cold)** s'illumine en bleu continu : l'unité est entièrement opérationnelle, mais approche la limite inférieure de température. Bleu clignotant; l'unité est trop froide pour démarrer, seule la lampe de poche est disponible dans cet état.
- 5.) Bouton tension** Appuyez sur ce bouton pour allumer (On) ou éteindre (Off) l'appareil.
- 6.) LED Power** Est blanc si l'appareil est allumé (On). S'allume en orange après le compte à rebours de 60 secondes jusqu'à ce que les pinces soient retirées de la batterie de voiture ou que le GB251 soit mis hors tension puis à nouveau sous tension.
- 7.) Bouton mode Light** Fait basculer la lumière LED haute-intensité à travers 7 modes : 100% > 50% > 10% > SOS > Blink > Strobe > Off
- 8. Voltmètre / Compte à rebours** Le voltmètre intégré indique la tension de la batterie du véhicule pour un diagnostic et une résolution des problèmes avancé. Le voltmètre indiquera automatiquement la tension de toute batterie (ou système de batterie) quand les pinces de la batterie sont connectés, même si l'appareil est éteint. Le voltmètre est limité à une plage de tension entre ~3V et ~30V. Les tensions inférieures à 3V ne sont pas lisibles par le voltmètre. Si la tension est aussi basse, il y a probablement une charge sur la batterie telle des phares ou/et le ventilateur de la climatisation. Ils doivent être éteints avant de démarrer rapidement le véhicule. Pendant que l'appareil est allumé et après la détection d'une batterie, le voltmètre affiche le compte à rebours de 60 secondes.
- 9.) LED Boost** Est blanc si le Boost est activé. Si l'appareil est correctement connecté à une batterie, le GB251 détectera automatiquement une batterie et entrera en mode Boost (le LED clignotera en blanc si la fonction contournement manuel est activée).
- 10.) Bouton de contournement manuel** Pour l'activer, maintenez ce bouton activé pendant trois (3) secondes. **ATTENTION : Désactive la protection de sécurité et bascule manuellement la fonction 'Boost' sur 'On'. À utiliser uniquement lorsque la tension de la batterie est trop faible pour être détectée.**

Résolution des problèmes

	Erreur	Raison/Solution
⚠	LED Error : Rouge Stable	Polarité inversée/Inversez les connexions de la batterie.
	LED Error : Clignote en rouge w/ Câbles connectés correctement	Détection de court-circuit au niveau des pinces de la batterie. / Faites vérifier la batterie par un professionnel.
	Un (1) clignotement	Détection de court-circuit au niveau des pinces de la batterie. / Enlevez toutes les charges, puis reconnectez les pinces à la batterie.
	Double (2) Flash	Haute tension détectée au niveau des pinces (le GB251 est connecté à un système de tension supérieur à 24V).
	Quadruple (4) Flash	Erreur de délai de charge (c'est-à-dire que le GB251 a été en charge depuis trop longtemps)
	Quintuple (5) Flash	Surintensité XGC OUT (c'est-à-dire que plus de 15 ampères sont tirés du port XGC OUT)
	Sextuple (6) Flash	Défaut BMS (Battery Management System). (Éteignez et rallumez le GB251 pour effacer. Si le problème persiste, contactez l'assistance clientèle)
🔥+	DEL Chaud (Hot) : Continue	L'unité est entièrement opérationnelle, mais approchant la limite supérieure de température. / Laissez refroidir l'unité.
	DEL Chaud (Hot) : Clignotant	L'unité est trop chaude pour démarrer, seule la lampe de poche est disponible dans cet état. / Laissez refroidir l'appareil.
	DEL Chaud (Hot) : Clignote Alors toutes les DELs sont éteintes (Off)	L'unité est trop chaude pour l'aide au démarrage ou pour utiliser d'autres fonctions. / Laissez refroidir l'unité et amenez-la dans un environnement plus froid.
❄️	DEL Froid (Cold) : Continue	L'unité est entièrement opérationnelle, mais approchant la limite inférieure de température. / Laissez réchauffer l'unité.
	DEL Froid (Cold) : Clignotant	L'unité est trop froide pour démarrer, seule la lampe de poche est disponible dans cet état / Laissez l'unité se réchauffer.

DEL Froid (Cold) : Clignote Alors toutes les DELs sont éteintes (Off)

L'unité est trop froide pour l'aide au démarrage ou pour utiliser d'autres fonctions. / Laissez réchauffer l'unité et amenez-la dans un environnement plus chaud.

LED Boost ne s'allume pas w/ Câbles connectés correctement

La batterie connectée est inférieure à 3 volts/ Déconnectez tout, essayez à nouveau, ou essayez le mode contournement manuel.

Spécifications techniques

Batterie interne : 137Wh Lithium-Ion	12V (entrée): 12V/5A (14V Max)
Évaluation de courant de crête : 3000A	12V (sortie): 12V, 15V Max
Température de fonctionnement : -20°C à +50°C	Protection du boîtier : IP65 (w/Ports fermés)
Température de chargement : 0°C à +40°C	Refroidissement : Convection naturelles
Température de stockage : -20°C à +50°C (temp. moy.)	Dimensions (Lo x La x Ha): 31,75 x 20,83 x 3,39 Centimètres
USB (sortie): 5V, 2.1A	Poids : 6,19 kilogrammes (13,65 lb)

NOCO Un (1) an de garantie limitée

La NOCO Company ('NOCO') garantit que ce produit ('produit') est libre de défauts matériels et de construction pour une période d'un an (1) à compter de la date d'achat (la 'période de garantie'). Pour tout défaut signalé pendant la période de garantie, NOCO remplacera ou réparera le produit défectueux, sous réserve d'une vérification par le support technique de NOCO et sans obligation. Les pièces et produits de rechange seront neufs ou reconditionnés, comparables en fonctions et performances au produit d'origine et garantis pour le restant de la période de garantie.

LA RESPONSABILITÉ DE NOCO EST PAR LA PRÉSENTE EXPRESSÉMENT LIMITÉ À UNE REMPLACEMENT OU UNE RÉPARATION. DANS LES LIMITES PERMISES PAR LA LOI, NOCO N'EST PAS RESPONSABLE ENVERS L'ACHETEUR DU PRODUIT OU ENVERS UN TIERS POUR TOUT DOMMAGE SPÉCIAL, INDIRECT, CONSÉCUTIF OU EXEMPLAIRE COMPRENANT MAIS SANS ÊTRE LIMITÉ À DES BÉNÉFICES PERDUS, DES DOMMAGES MATÉRIELS OU DES BLESSURES CORPORELLES, LIÉS DE QUELQUE FAÇON QUE CE SOIT AU PRODUIT, OU CAUSÉS DE QUELQUE FAÇON QUE CE SOIT PAR LE PRODUIT, MÊME SI NOCO AVAIT CONNAISSANCE DE LA POSSIBILITÉ DE TELS DOMMAGES. LES GARANTIES DÉCRITES ICI REMPLACENT TOUTE AUTRE GARANTIE EXPRESSE, IMPLICITE, STATUTAIRE OU AUTRE, COMPRENANT SANS LIMITATION LES GARANTIES IMPLICITES DE VALEUR COMMERCIALE ET D'ADAPTATION À UNE FIN PARTICULIÈRE, ET CELLES DÉCOULANT D'ACTIVITÉS COMMERCIALES, DE NÉGOCE OU D'UTILISATION. DANS LE CAS OU UNE LOI EN VIGUEUR IMPOSERAIT DES GARANTIES, CONDITIONS OU OBLIGATIONS NE POUVANT ÊTRE EXCLUES OU MODIFIÉES, CE PARAGRAPHE S'APPLIQUERA DANS LA LIMITE PERMISE PAR CES LOIS.

Cette garantie limitée ne s'applique qu'à l'acheteur d'origine du produit si tant est que NOCO ou un distributeur ou revendeur agréé par NOCO a procédé directement à la vente et n'est ni transférable ni cessible. Pour faire valoir la garantie, l'acheteur doit : (1) exiger et obtenir un numéro de 'Return merchandise authorization', ou RMA (procédure pour renvoyer le matériel reçu défectueux, en vue d'une réparation, remplacement ou remboursement par le même fournisseur et une indication du lieu de retour de marchandise (la 'return location'), par le support NOCO joignable sous support@no.co ou en appelant le +1 800 456 6626 ; et (2) envoyer le produit avec le numéro RMA, le bon d'achat ou le certificat de garantie (à défaut du bon d'achat) du 45% du MSRP du produit défectueux (le certificat de garantie) [le RMA comprendra le montant de la garantie limitée] au lieu de retour de la marchandise. N'ENVOYEZ PAS LE PRODUIT SANS D'ABORD AVOIR OBTENU LE RMA PAR LE SUPPORT DE NOCO.

L'ACHETEUR D'ORIGINE EST RESPONSABLE (ET DOIT PAYER) TOUT COÛT D'EMBALLAGE ET DE TRANSPORT POUR AVOIR ACCÈS AU SERVICE DE GARANTIE.

NONOBTANT LES INDICATIONS CI-DESSUS, CETTE GARANTIE LIMITÉE EST NULLE ET NE S'APPLIQUE PAS AUX PRODUITS : (a) qui ont été soumis à une utilisation abusive ou négligente, ont été mal manipulés, mal entreposés ou stockés, impliqués dans un accident, utilisés à une tension trop élevée, une température trop élevée, soumis à des chocs, des vibrations sortant du cadre des recommandations de NOCO pour une utilisation sûre et efficace ; (b) installés, montés, utilisés ou entretenus de façon incorrecte ; (c) on

étés ou sont modifiés sans l'autorisation écrite de NOCO ; (d) ont été démontés, désassemblés, modifiés ou réparés par tout autre que NOCO ; (e) dont les défauts ont été signalés après la période de garantie.

CETTE GARANTIE LIMITÉ NE COUVRE PAS : (1) une usure habituelle ; (2) des dommages superficiels n'affectant pas le bon fonctionnement du produit ; ou (3) des produits NOCO dont le numéro de série est manquant, a été modifié ou rendu illisible.

CONDITIONS DE LA GARANTIE SANS TRACAS

Ces conditions s'appliquent uniquement au produit pendant la période de garantie. La garantie sans tracas est caduque à la fin de la période de garantie à compter de la date d'achat (temps écoulé à compter de la date du numéro de série, en l'absence de preuve d'achat) ou selon les conditions énumérées précédemment. Renvoyez le produit avec la documentation appropriée.

Sur présentation du reçu :

1 an : PAS de frais. Sur présentation d'une preuve d'achat, la période de garantie commence à compter de la date d'achat.

SANS reçu :

1 an : PAS de frais. SANS preuve d'achat, la période de garantie commence à compter de la date du numéro de série.

Vous pouvez enregistrer votre produit NOCO en ligne à l'adresse : no.co/register. Si vous avez des questions concernant votre garantie ou le produit, contactez le support NOCO (l'adresse électronique et le numéro se trouvent ci-dessus) ou bien écrivez à : The NOCO Company, 30339 Diamond Parkway, #102, Glenwillow, OH 44139 USA.

NOCO BOOST[®] MAX[™] GB251+



GEFAHR

Benutzerhinweise und Garantie



LESEN UND VERSTEHEN SIE DIESE SICHERHEITSHINWEISE VOR GEBRAUCH DES PRODUKTS Die Nichtbefolgung dieser Sicherheitshinweise kann **STROMSCHLAGE, EXPLOSIONEN, oder FEUER** verursachen, was **SCHWERE VERLETZUNGEN, TOD, oder SACHSCHÄDEN zur Folge haben kann.**



Stromschlag. Das Produkt ist ein elektrisches Gerät, welches Stromschläge und ernsthafte Verletzungen verursachen kann. Zerschneiden oder beschädigen Sie nicht die Netzkabel. Tauchen Sie das Gerät nicht unter Wasser und halten Sie es von Feuchtigkeit fern.



Explosion. Nicht überwachte, inkompatible oder beschädigte Batterien können bei der Benutzung mit dem Produkt zu einer Explosion führen. Lassen Sie das Produkt während des Betriebs nicht unbeaufsichtigt. Versuchen Sie nicht, eine eingefrorene oder beschädigte Batterie fremdzustarten. Verwenden Sie das Produkt nur mit Batterien mit der empfohlenen Spannung. Verwenden Sie das Produkt nur in gut belüfteten Bereichen.



Feuer. Das Produkt ist ein elektrisches Gerät, welches Hitze erzeugt und Verbrennungen verursachen kann. Decken Sie das Produkt nicht ab. Rauchen Sie nicht und benutzen Sie keinerlei Gegenstände, die elektrische Funken oder Feuer erzeugen, während Sie das Produkt bedienen. Halten Sie das Produkt fern von brennbaren Materialien.



Verletzungen am Auge. Tragen Sie bei der Bedienung des Produkts einen Augenschutz. Batterien können explodieren und herumfliegende Teile können Sie verletzen. Batteriesäure kann zu Augen- und Hautirritationen führen. Sollte Batteriesäure in die Augen oder auf die Haut gelangen, spülen Sie den betroffenen Bereich mit laufendem klarem Wasser aus und kontaktieren Sie umgehend den Giftnotruf.



Explosive Gase. In der Nähe von Bleibatterien zu arbeiten ist gefährlich. Batterien erzeugen explosive Gase während des normalen Betriebs. Um das Risiko einer Batterieexplosion zu senken, befolgen Sie alle Sicherheitsanweisungen sowie die Sicherheitshinweise des Batterieherstellers und der Hersteller von jeglichem Zubehör, das in der Nähe der Batterie verwendet wird. Überprüfen Sie die Warnhinweise auf diesem Produkt und auf dem Motor.

Deutsch

Weitere Informationen und
Kundensupport unter:

www.no.co/support

Wichtige Sicherheitshinweise

VORSICHT

Im manuellen Modus werden alle Sicherheitsmaßnahmen deaktiviert. Bei unsachgemäßer und/oder entgegen unseren Empfehlungen erfolgender Verwendung kann dies zu Verletzungen oder zum Tode führen. In jedem Fall resultiert es im Erlöschen Ihrer Garantie. Es besteht Brand-, Explosions- und Verbrennungsgefahr. Nicht zerlegen, zerdrücken, über 60 °C (140 °F) erhitzen oder verbrennen. Dieses Gerät ist für den zeitweiligen Gebrauch im Freien vorgesehen und bei der Verwendung dieses Geräts unter nassen Bedingungen sind angemessene Vorsichtsmaßnahmen angezeigt.

WARNHINWEIS

Der interne Akku darf nicht überladen werden. Lesen Sie hierzu die Bedienungsanleitung. In der Nähe des Akkus dürfen Sie nicht rauchen, kein Streichholz anzünden und keine Funken verursachen. Laden Sie den internen Akku nur an einem gut belüfteten Ort auf. Während des Ladevorganges darf der Akku nicht verwendet werden.

VORSICHT

Es besteht Verletzungsgefahr für Personen. Verwenden Sie dieses Produkt nicht, wenn das Netzkabel oder die Akkukabel in irgendeiner Weise beschädigt sind. Dieses Gerät ist nicht für die Verwendung in einer kommerziellen Reparaturwerkstatt vorgesehen. Dieses Gerät ist für die Lagerung in Innenräumen vorgesehen, wenn es nicht in Gebrauch ist. Dieses Gerät darf bei Nichtgebrauch nicht im Freien gelagert oder zurückgelassen werden.

Proposition 65. Batteriepole, -klemmen und ähnliche Teile enthalten Chemikalien, einschließlich Blei. Der Staat Kalifornien hat anerkannt, dass diese Materialien Krebs verursachen oder zu Geburtsfehlern und anderen reproduktiven Schäden führen können. **Persönliche Vorsichtsmaßnahmen.** Verwenden Sie das Produkt nur für den dafür vorgesehenen Zweck. Es sollte sich jemand in Hör- bzw. Reichweite befinden, um Ihnen im Falle eines Notfalls helfen zu können. Halten Sie sauberes Wasser und Seife griffbereit, für den Fall, dass Sie mit Säure in Kontakt geraten. Tragen Sie eine Schutzbrille und Schutzkleidung während Sie in der Nähe einer Batterie arbeiten. Waschen Sie Ihre Hände nach jedem Umgang mit Batterien oder damit zusammenhängenden Materialien. Tragen Sie keine Metallgegenstände, einschließlich Werkzeuge, Uhren oder Schmuck, während Sie mit Batterien arbeiten und hantieren Sie mit diesen auch nicht in der Nähe der Batterie. Wenn Metall auf die Batterie fällt, könnten Funken oder Kurzschlüsse verursacht werden, die zu Stromschlägen, Feuer oder Explosion führen und Verletzungen, Tod oder Sachschäden zur Folge haben können. **Minderjährige.** Beabsichtigt der „Käufer“ das Produkt von einem Minderjährigen verwenden zu lassen, stimmt der erwachsene Käufer zu, jedem Minderjährigen vor Gebrauch genaue

Anweisungen und Sicherheitshinweise zur Verfügung zu stellen. Das Versäumnis, diese Informationen zur Verfügung zu stellen, liegt in der alleinigen Verantwortung des „Käufers“. Der „Käufer“ stellt NOCO von jeglicher Haftung für unbeabsichtigte oder falsche Bedienung durch Minderjährige frei. **Erstickungsgefahr.** Zubehörteile können eine Erstickungsgefahr für Kinder darstellen. Lassen Sie Kinder nicht unbeaufsichtigt in der Nähe des Produkts oder von Zubehörteilen. Das Produkt ist kein Spielzeug. **Bedienung.** Seien Sie vorsichtig bei der Bedienung des Produkts. Das Produkt kann durch Stöße beschädigt werden. Benutzen Sie kein beschädigtes Produkt. Hierzu zählen unter anderem, jedoch nicht ausschließlich, Schäden am Gehäuse oder beschädigte Kabel. Benutzen Sie das Produkt nicht mit einem beschädigten Netzkabel. Feuchtigkeit und Flüssigkeiten können das Produkt beschädigen. Bedienen Sie das Produkt oder elektrische Komponenten nicht in der Nähe von Flüssigkeiten. Lagern und bedienen Sie das Produkt an trockenen Orten. Benutzen Sie das Produkt nicht, wenn es nass geworden ist. Sollte das Produkt während des Betriebs nass werden, ziehen Sie sofort das Kabel aus der Steckdose und aus dem Produkt und setzen Sie den Betrieb auf keinen Fall fort. Schalten Sie das Produkt nicht vom Strom ab, indem Sie an den Kabeln ziehen. Änderungen. Versuchen Sie nicht, Teile des Produkts zu verändern, zu modifizieren oder zu reparieren. Das Zerlegen des Produkts kann zu Verletzungen, Tod oder Sachschäden führen. Sollte das Produkt beschädigt werden, nicht richtig funktionieren oder in Kontakt mit Flüssigkeiten kommen, stellen Sie es sofort ab und kontaktieren Sie NOCO. Jegliche Änderungen am Produkt führen zu einem Verlust der Garantie. **Zubehör.** Dieses Produkt ist ausschließlich für die Verwendung mit NOCO-Zubehör zugelassen. NOCO haftet nicht für die Sicherheit des Nutzers oder Schäden infolge der Verwendung von Zubehör, das nicht durch NOCO zugelassen wurde. **Position.** Achten Sie darauf, dass das Produkt nicht in Kontakt mit Batteriesäure kommt. Bedienen Sie das Produkt nicht in geschlossenen oder wenig belüfteten Bereichen. Legen Sie keine Batterie auf das Produkt. Mit der angemessenen Platzierung des Kabels vermeiden Sie Unfallschäden durch sich bewegende Autoteile (einschließlich Motorhaube und Türen), sich bewegende Motorteile (einschließlich Lüfterflügel, Riemen und Riemenscheiben) sowie durch mögliche Stolpergefahr, die zu Verletzungen oder Tod führen kann. **Betriebstemperatur.** Dieses Produkt eignet sich für den Betrieb bei einer Außentemperatur von -20°C bis 50°C. Verwenden Sie das Produkt nicht außerhalb der angegebenen Temperaturbereiche. Versuchen Sie nicht, eine eingefrorene Batterie fremdzustarten. Stellen Sie den Betrieb des Produkts sofort ein, sollte die Batterie übermäßig warm werden. **Lagerung.** Lagern oder bedienen Sie das Produkt nicht in Bereichen, die eine hohe Konzentration von Staub oder luftgetragenen Stoffen aufweisen. Lagern Sie das Produkt auf flachen, sicheren Oberflächen, so dass es nicht herunterfallen kann. Lagern Sie das Produkt an einem trockenen Ort. Lagern Sie das Produkt bei -20°C bis 50°C (0°C bis +25°C durchschnittliche Temperatur). Verwenden Sie das Produkt unter keinen Umständen bei Temperaturen über 80°C. **Kompatibilität.** Das Gerät ist nur mit 12V-Bleiakkusystemen kompatibel. Versuchen Sie nicht, es mit einem anderen Akkutyp zu verwenden. Starthilfe für andere Akku-Chemikalien kann zu Verletzungen, Tod oder Sachschäden führen. Wenden Sie sich an den Akkuhersteller, bevor Sie versuchen, dem Akku Starthilfe zu geben. Sehen Sie von der Starthilfe ab, wenn Sie sich über die spezifische Chemie oder Spannung des Akkus nicht sicher sind. **Die Batterie.** Die im Produkt verbauten Lithium-Ionen-Batterien sollten nur durch NOCO ersetzt werden und müssen wiederverwertet oder vom Haushaltsmüll gesondert entsorgt werden. Versuchen Sie nicht, die Batterie eigenständig zu ersetzen und hantieren Sie nicht mit einer

beschädigten oder auslaufenden Lithium-Ionen-Batterie. Entsorgen Sie Batterien niemals im Haushaltsmüll. Die Entsorgung von Batterien im Haushaltsmüll ist gemäß den geltenden Umweltgesetzen und -vorschriften auf Bundes- und Landesebene rechtswidrig. Entsorgen Sie gebrauchte Batterien ausschließlich in einem Abfallverwertungszentrum in Ihrer Nähe. Sollte die Produktbatterie zu heiß werden, Geruch entwickeln, sich verformen, aufgeschnitten sein oder sollte das Auftreten von Störungen zu beobachten sein, beenden Sie sofort jegliche Nutzung des Produkts und kontaktieren Sie NOCO. **Laden der Batterie.** Laden Sie das Gerät mit dem mitgelieferten 12VDC-Autoladegerät oder dem XGC4-Wandladegerät auf. Verwenden Sie keine generischen Netzteile oder Netzteile von Drittanbietern, da diese ein ernsthaftes elektrisches Risiko darstellen können, das zu Verletzungen von Personen, Geräten und Eigentum führen kann. Die Verwendung beschädigter Kabel oder Ladegeräte oder das Aufladen bei Feuchtigkeit kann zu einem elektrischen Schlag führen. NOCO übernimmt keine Verantwortung für die Sicherheit des Benutzers, Schäden am Gerät oder Sachschäden, wenn Zubehör oder Netzteile verwendet werden, die nicht von NOCO genehmigt sind. Achten Sie bei der Verwendung des XGC4-Wandladegerätes darauf, dass der Netzstecker vollständig in das Netzteil eingesteckt ist, bevor Sie es an eine Steckdose anschließen. Das Netzteil kann sich bei normalem Gebrauch erwärmen, und längerer Hautkontakt kann zu Verletzungen führen. Sorgen Sie während des Gebrauchs stets für ausreichende Belüftung um das Netzteil herum. Um eine maximale Akkulaufzeit zu gewährleisten, sollten Sie Ihr Gerät nicht länger als eine Woche am Stück aufladen, da die Akkulaufzeit durch Überladung verkürzt werden kann. Ein unbenutztes Gerät entlädt sich mit der Zeit und muss vor Gebrauch wieder aufgeladen werden. Trennen Sie das Gerät von der Stromquelle, wenn es nicht verwendet wird. Verwenden Sie das Gerät nur für den vorgesehenen Zweck.

Medizinische Geräte. Das Gerät kann elektromagnetische Felder ausstrahlen. Das Produkt enthält magnetische Komponenten, die zu Störungen bei Herzschrittmachern, Defibrillatoren oder anderen medizinischen Geräten führen können. Diese elektromagnetischen Felder können bei Herzschrittmachern oder anderen medizinischen Geräten zu Störungen führen. Wenn Sie auf medizinische Geräte, einschließlich Herzschrittmacher, angewiesen sind, konsultieren Sie Ihren Arzt vor der Verwendung des Produkts. Wenn Sie das Gefühl haben, dass das Produkt ein medizinisches Gerät stört, beenden Sie sofort die Nutzung des Produkts und konsultieren Sie Ihren Arzt. **Gesundheitliche Beschwerden.** Wenn Sie unter gesundheitlichen Beschwerden leiden, die durch das Produkt beeinflusst werden, einschließlich, jedoch nicht begrenzt auf Anfälle, Ohnmacht, Augenschmerzen oder Kopfschmerzen, konsultieren Sie Ihren Arzt vor der Verwendung des Produkts. Die Verwendung der eingebauten Hochleistungstaschenlampe kann zu Gefahren bei Lichtempfindlichkeit führen. Die Nutzung des Lichts im „Stroboskop“-Modus kann bei photosensitiver Epilepsie Anfälle auslösen, was unter Umständen zu schweren Verletzungen oder Tod führen kann. **Licht.** Blicken Sie nicht direkt in den Lichtstrahl. Dies kann zu dauerhaften Verletzungen am Auge führen. Dieses Produkt ist mit einer vorfokussierten Hochleistungs-LED-Lampe ausgestattet, die bei Betrieb in voller Stärke einen starken Lichtstrahl erzeugt. **Reinigung.** Trennen Sie das Produkt vom Strom, bevor Sie es reinigen oder warten. Reinigen und trocknen Sie das Produkt sofort, sollte es in Kontakt mit Flüssigkeiten oder irgendeiner Art von Schmutzstoffen kommen. Benutzen Sie zur Reinigung ein weiches, flusenfreies (Mikrofaser-) Tuch. Stellen Sie sicher, dass keine Feuchtigkeit in die Öffnungen gelangt. **Explosionsgefährdete Bereiche.** Befolgen Sie alle Schilder und Anweisungen. Bedienen Sie das Produkt nicht in potenziell explosionsgefährdeten Bereichen, einschließlich Tankstellen oder Umgebungen,

in denen die Luft mit chemischen Stoffen oder Partikeln, wie z. B. Getreidestaub, Staub und Metallpulver, kontaminiert ist. **Risikobehaftete Aktivitäten.** Dieses Produkt sollte nicht verwendet werden, wenn eine Störung des Produkts zu Verletzungen, Tod oder ernsthaften Umweltschäden führen könnte. **Funkstörungen.** Das Produkt wurde so konzipiert, getestet und hergestellt, dass es mit den Regelungen über Funkfrequenzemissionen übereinstimmt. Solche Emissionen können negative Auswirkungen auf den Betrieb anderer elektronischer Geräte haben und dazu führen, dass diese nicht ordnungsgemäß funktionieren. **Modellnummer: GB251.** Dieses Gerät entspricht Teil 15 der FCC-Richtlinien. Der Betrieb unterliegt den folgenden zwei Bedingungen: (1) das Gerät darf keine funktechnischen Störungen verursachen, sowie (2) das Gerät muss empfangene Funkstörungen tolerieren, einschließlich Störungen, die einen unerwünschten Betrieb verursachen können. **HINWEIS:** Dieses Gerät wurde getestet und entspricht den Grenzwerten für ein digitales Gerät der Klasse A, entsprechend Teil 15 der FCC-Richtlinien. Diese Grenzwerte sollen vertretbaren Schutz gegen Störungen bei Installation in gewerblich genutzten Gebieten gewährleisten. Das Gerät erzeugt und benutzt Funkfrequenzenergie und kann solche abstrahlen und kann, wenn es nicht gemäß den Anweisungen installiert und verwendet wird, Funkkommunikation beeinträchtigen. Der Betrieb dieses Geräts in einem Wohngebiet kann schädliche Interferenzen verursachen, die der Nutzer selbst beseitigen muss.

Betriebsanleitung

Schritt 1: Das GB251 laden.

Das GB251 ist bei der Lieferung teilweise geladen und muss vor der Verwendung vollständig aufgeladen werden. Schließen Sie das GB251 mit dem mitgelieferten 12V DC-Wandladegerät an den 12-V-„IN“-Anschluss an. Die Ladezeit eines GB251 hängt vom Entladungsgrad und der verwendeten Stromquelle ab. Die tatsächlichen Ergebnisse können je nach Akkuzustand und Entladungsgrad variieren.

Beim Wiederaufladen wird der Ladezustand der internen Batterie von den Lade-LED angezeigt. Die LED leuchten langsam abwechselnd „An“ und „Aus“, bis alle vier Lade-LED durchgehend leuchten. Wenn die Batterie vollständig geladen ist, leuchtet die grüne LED durchgehend und die 25%-, 50%- und 75%-LED schalten auf „Aus“. Die grüne 100%-LED leuchtet ab und an, um anzudeuten, dass der Erhaltungsladungsmodus aktiv ist.

Ladedauer:

5hr

Lade-Rating:

56W

Internes Batterie-Level



25% 50% 75% 100%

Schritt 2: **Anschluss an die Batterie.**

Es ist wichtig, dass Sie das Handbuch des Fahrzeugbesitzers über spezifische Vorsichtsmaßnahmen und empfohlene Methoden zur Starthilfe des Fahrzeugs sorgfältig lesen und verstehen. Stellen Sie sicher, anhand der Betriebsanleitung die Spannung und chemische Zusammensetzung des Akkus zu bestimmen, bevor Sie dieses Produkt verwenden. Das GB251 ist nur zur Starthilfe von 24-Volt-Bleiakkusystemen vorgesehen. Vergewissern Sie sich vor dem Anschluss an den Akku, dass es sich um ein 24-Volt-Bleiakkusystem handelt. Das GB251 eignet sich für keinen anderen Akkutyp. Achten Sie auf die korrekte Polarität der Kontakte des Akkus. Der positive Kontakt wird für gewöhnlich mit diesen Buchstaben oder Symbolen gekennzeichnet (POS,P,+). Der negative Kontakt wird für gewöhnlich mit diesen Buchstaben oder Symbolen gekennzeichnet (NEG,N,-). Stellen Sie keine Verbindungen mit Vergaser, Kraftstoffleitungen oder dünnen Blechteilen her. Die folgenden Anweisungen beziehen sich auf eine Negativerdung (am häufigsten). Wenn es sich bei Ihrem Fahrzeug um ein System mit positiver Masse handelt (sehr ungewöhnlich), entnehmen Sie der Betriebsanleitung des Fahrzeugs die Anweisungen für die Starthilfe.

1.) Schließen Sie die positive (rote) Akkuklemme an den positiven (POS, P, +) Akkupol und die negative (schwarze) Akkuklemme an den negativen (NEG, N, -) Akkupol oder an das Fahrzeugchassis an.

Schritt 3: **Fremdstarten**

1.) Stellen Sie vor dem Fremdstarten des Fahrzeugs sicher, dass alle stromabhängigen Anwendungen (Scheinwerfer, Radio, Klima-Anlage etc.) ausgeschaltet sind.

2.) Drücken Sie die Einschalttaste, um mit der Starthilfe zu beginnen. Alle LEDs blinken einmal auf. Wenn der Akku korrekt angeschlossen ist, leuchten nacheinander erst die weiße Boost-LED und dann die Akkulade-LEDs auf. Sobald ein Akku erkannt wird, beginnt ein 60-Sekunden-Timeout-Countdown.

3.) Versuchen Sie, das Fahrzeug zu starten. Die meisten Fahrzeuge springen sofort an. Bei manchen Fahrzeugen ist es erforderlich, dass das GB251 bis zu 30 Sekunden angeschlossen ist, bevor das Fahrzeug anspringt. Sollte das Fahrzeug nicht sofort anspringen, warten Sie 20-30 Sekunden und versuchen Sie es erneut. Versuchen Sie innerhalb von fünfzehn (15) Minuten nicht mehr als fünf (5) Mal hintereinander das Fahrzeug fremdzustarten. Lassen Sie das GB251 fünfzehn (15) Minuten ruhen, bevor Sie erneut versuchen, das Fahrzeug fremdzustarten.

4.) Nachdem das Fahrzeug angesprungen ist, klemmen Sie die Batterieklemmen ab und entfernen Sie das GB251.

60-Sekunden-Timeout.

Ein 60-Sekunden-Timeout-Countdown beginnt, sobald ein Akku erkannt wird. Nachdem 60 Sekunden verstrichen sind, wird die Starthilfefunktion deaktiviert. Die Boost-LED erlischt und die internen Akkulade-LEDs zeigen den aktuellen Ladezustand des Geräts an. Um die Starthilfefunktion zurückzusetzen, drücken Sie den Netzschalter, um das Gerät damit auszuschalten. Drücken Sie den Einschaltknopf erneut, um das Gerät einzuschalten und die Starthilfefunktion wieder zu starten.

ACHTUNG.

DIE 60-SEKUNDEN-TIMEOUT-FUNKTION IST DEAKTIVIERT, WENN DER MANUELLE ÜBERBRÜCKUNGSMODUS VERWENDET WIRD. DIE STROMVERSORGUNG WIRD AUCH BEI AKTIVIERTEM MANUELLEN ÜBERBRÜCKUNGSMODUS AUFRECHTERHALTEN. UM DIE ANZAHL DER STARTHILFEN ZU MAXIMIEREN, WIRD EMPFOHLEN, DIE STARTHILFEEINHEIT AUSZUSCHALTEN, SOBALD DAS FAHRZEUG GESTARTET WURDE.

Batterien mit niedriger Spannung und Handbetätigung

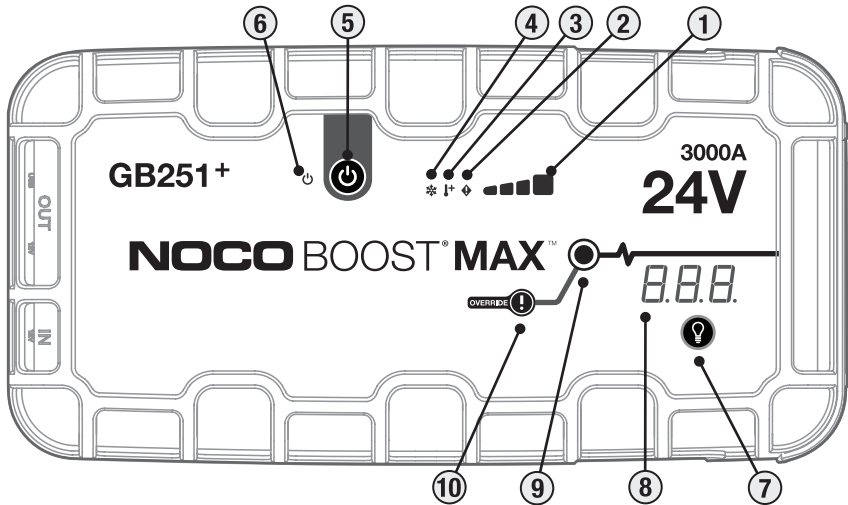
Das GB251 ist für die Starthilfe von 24-Volt-Bleiakkusystemen bis herunter zu 2 Volt ausgelegt. Unterhalb von 2 Volt leuchtet die Boost-LED nicht auf. Dies ist ein Hinweis darauf, dass das GB251 keinen Akku erkennen kann. Wenn Sie Starthilfe für einen Akku unter 2 Volt benötigen, können Sie diese anhand einer manuellen Überbrückungsfunktion erzwingen. Unterhalb von 2 Volt leuchtet die Boost-LED nicht, und das Voltmeter zeigt keine Spannung an.

ACHTUNG.

VERWENDEN SIE DIESEN MODUS MIT ÄUSSERSTER VORSICHT. DIESER MODUS GILT NUR FÜR 24-VOLT-BLEIAKKUSYSTEME. SOWOHL DER FUNKENSCHUTZ ALS AUCH DER VERPOLUNGSSCHUTZ SIND DEAKTIVIERT. ACHTEN SIE SEHR GENAU AUF DIE POLARITÄT DES AKKUS, BEVOR SIE DIESEN MODUS VERWENDEN. DIE POSITIVEN UND NEGATIVEN AKKUKLEMMEN DÜRFEN SICH WEDER BERÜHREN NOCH MITEINANDER VERBUNDEN WERDEN, DA DAS GERÄT FUNKEN ERZEUGEN WURDE. DIESER MODUS VERWENDET SEHR HOHE STRÖME (BIS ZU 3000 AMPERE), DIE BEI UNSACHGEMASSER ANWENDUNG FUNKEN UND HOHE HITZE ERZEUGEN KÖNNEN. WENN SIE SICH ÜBER DIE VERWENDUNG DIESES MODUS NICHT SICHER SIND, SEHEN SIE DAVON AB UND HOLEN SIE SICH PROFESSIONELLE HILFE.

Stromversorgung Ihrer USB- und 12V-Geräte.

Das GB251 hat (2) USB-„OUT“-Anschlüsse und einen 12V-„OUT“-Anschluss (12V AUX/Zigarettenanzünderanschluss). Schließen Sie ein beliebiges Standard-USB-Gerät oder 12V-Gerät (bis zu 15A) an und schalten Sie das GB251 ein, um Ihre Geräte mit Strom zu versorgen.



Schnittstelle

1.) Internes Batterie-Level Gibt den Ladezustand der internen Batterie an.

2.) Fehler-LED Leuchtet rot, wenn eine umgekehrte Polarität erkannt wird, oder blinkt in verschiedenen Sequenzen (von 1 bis 6 Blinkzeichen) „Ein“ und „Aus“, um Fehlerzustände anzuzeigen.

3.) LED „Heiß“ Leuchtet dauerhaft rot; das Gerät ist voll funktionsfähig, erreicht jedoch die obere Temperaturgrenze. Rot blinkend; Das Gerät ist zu heiß, um zu starten. In diesem Zustand ist nur die Taschenlampe verfügbar.

4.) LED „Kalt“ Leuchtet dauerhaft blau; das Gerät ist voll funktionsfähig, erreicht jedoch die untere Temperaturgrenze. Blau blinkend; Das Gerät ist zu kalt, um zu starten. In diesem Zustand ist nur die Taschenlampe verfügbar.

5.) An-/Aus-Schalter Schaltet das Gerät „An“ bzw. „Aus“

6.) An-/Aus-LED Leuchtet weiß, wenn das Gerät „An“ ist. Leuchtet nach dem Countdown von 60 Sekunden orange auf, bis die Klemmen von der Autobatterie entfernt werden oder der GB251 aus- und wieder eingeschaltet wird.

7.) Lichtmodus-Taste Schaltet die ultra-helle LED durch sieben (7) Lichtmodi: 100% > 50% > 10% > SOS > Blinken > Stroboskop > Aus

8 . Voltmeter / Countdown-Timer Der eingebaute Spannungsmesser misst die Stromspannung der Fahrzeugbatterie für eine erweiterte Diagnostik und Fehlersuche. Der Spannungsmesser misst die Stromspannung von jeder Batterie (oder jedem Batteriesystem) automatisch, wenn die Batterieklemmen angeklemt sind, sogar wenn das Gerät ausgeschaltet ist. Der Spannungsmesser misst Voltzahlen zwischen ~3V und ~30V. Hat die angeschlossene Batterie eine Stromspannung von unter 3V, wird nicht nichts angezeigt. Ist die Voltzahl so niedrig, wird die Batterie wahrscheinlich beansprucht, etwa durch Scheinwerfer oder eine Klima-Anlage. Diese sollten vor dem Versuch, das Fahrzeug zu starten, ausgeschaltet werden. Während das Gerät eingeschaltet ist und nachdem eine Batterie erkannt wurde, zeigt das Voltmeter den 60-Sekunden-Timeout-Countdown an.

9.) Boost-LED Leuchtet weiß, wenn die Option „Boost“ aktiviert ist. Wenn das Gerät ordnungsgemäß an die Batterie angeschlossen ist, wird das GB251 die Batterie automatisch erkennen und in den Boost-Modus schalten (LED leuchtet weiß auf, wenn die Funktion „Handbetätigung“ aktiviert ist).

10.) Handbetätigungs-Taste Drücken und drei (3) Sekunden gedrückt halten, um die Handbetätigung zu aktivieren. **WARNHINWEIS: Deaktiviert den Sicherheitsschutz und erzwingt manuell das „An“-springen der Zusatzspannung. Nur zur Verwendung, wenn eine Batteriespannung zu niedrig ist, um erkannt zu werden.**

Fehlersuche

	Fehler	Grund/Lösung
⚠	Fehler-LED: Dauerhaftes Rot	Verpolung/Klemmen Sie die Batterieklemmen umgekehrt an.
	Fehler-LED: Blinkendes Rot (bei ordnungsgemäß verbundenen Kabeln)	Ein Kurzschluss an den Akkuklemmen wurde erkannt. / Lassen Sie die Batterie von einem Fachmann überprüfen.
	Einzelner (1) Blitz	Ein Kurzschluss an den Akkuklemmen wurde erkannt. Schalten Sie alles ab. Schließen Sie die Klemmen wieder an die Akku an.
	Doppelter (2) Blitz	An den Klemmen erkannte Hochspannung (der GB251 ist an ein Spannungsnetz mit mehr als 24 V angeschlossen).
	Vierfacher (4) Blitz	Ladezeitüberschreitungsfehler (d. H. Der GB251 wurde zu lange in großen Mengen aufgeladen)
	Fünffacher (5) Blitz	XGC OUT über Strom (d. H. Es werden mehr als 15 Ampere vom XGC OUT-Port gezogen)
	Sextuple (6) Flash	BMS-Fehler (Battery Management System). (Schalten Sie GB251 aus und wieder ein, um das Problem zu beheben. Wenn das Problem weiterhin besteht, wenden Sie sich an den Kundendienst.)
!+	LED „Heiß“: Dauerhaft	Das Gerät ist voll funktionsfähig, erreicht jedoch die obere Temperaturgrenze. / Lassen Sie das Gerät abkühlen.
	LED „Heiß“: Blinkend	Das Gerät ist zu heiß, um zu starten. In diesem Zustand ist nur die Taschenlampe verfügbar. / Lassen Sie das Gerät abkühlen.
	LED „Heiß“: Blinkt, dann gehen alle LEDs aus	Das Gerät ist zu heiß, um damit fremdzustarten oder andere Funktionen zu verwenden. / Lassen Sie das Gerät abkühlen und stellen Sie es in eine kühlere

❄️	LED „Kalt“: Dauerhaft	Das Gerät ist voll funktionsfähig, erreicht jedoch die untere Temperaturgrenze. / Lassen Sie das Gerät warm werden.
	LED „Kalt“: Blinkend	Das Gerät ist zu kalt, um zu starten. In diesem Zustand ist nur die Taschenlampe verfügbar. / Lassen Sie das Gerät aufwärmen.
	LED „Kalt“: Blinkt, dann gehen alle LEDs aus	Das Gerät ist zu kalt, um damit fremdzustarten oder andere Funktionen zu verwenden. / Lassen Sie das Gerät warm werden und stellen Sie es in eine wärmere Umgebung.
	Boost-LED leuchtet nicht (bei ordnungsgemäß verbundenen Kabeln)	Die angeschlossene Batterie hat weniger als 3V/Trennen Sie die Batterie vom Strom und versuchen Sie es erneut oder verwenden Sie die Funktion „Handbetätigung“.

Technische Daten

Interne Batterie: 137Wh Lithium-Ionen	12V (Eingang): 12V/5A (14V Max)
Spitzenstrombelastbarkeit: 3000A	12V (Ausgang): 12V, 15V Max
Betriebstemperatur: -20°C bis +50°C	Gehäuseschutz: IP65 (bei geschlossenen Ports)
Ladetemperatur: 0°C bis +40°C	Kühlung: Natürliche Konvektion
Speichertemperatur: -20°C bis +50°C (durchschn. Temp.)	Abmessungen (L x B x H): 31,75 x 20,83 x 3,39 Zentimeter
USB (Ausgang): 5V, 2,1A	Gewicht: 6,19 Kilogramm (13,65 lb)

NOCO Eingeschränkte Garantie über ein (1) Jahr

The NOCO Company („NOCO“) gewährleistet, dass dieses Produkt („das Produkt“) für die Laufzeit von einem (1) Jahr ab Kaufdatum („Garantielaufzeit“) frei von wesentlichen Verarbeitungs- und Materialfehlern ist. Bei Auftreten eines Fehlers während der Garantielaufzeit gewährleistet NOCO, nach eigenem Ermessen und gemäß der Analyse des unternehmenseigenen technischen Supports, fehlerhafte

Produkte zu den unten angegebenen Gebühren zu reparieren oder auszutauschen. Bauteile und Austauschprodukte sind neu oder wurden servicefreundlich verwendet, sind in ihrer Funktion und Leistung vergleichbar mit dem ursprünglichen Produkt und unterliegen einer Garantie für die Restzeit der ursprünglichen Garantielaufzeit.

UNSERE HAFTUNG IST HIERMIT AUSDRÜCKLICH BESCHRÄNKT AUF ERSATZ ODER REPARATUR. SOWEIT GESETZLICH ZULÄSSIG HAFTET NOCO NICHT GEGENÜBER KÄUFERN DES PRODUKTS ODER DRITTEN FÜR AUSSERGEWÖHNLICHE, INDIREKTE, EXEMPLARISCHE ODER FOLGESCHÄDEN, EINSCHLIESSLICH, JEDOCH OHNE BESCHRÄNKUNG AUF, GEWINNVERLUSTE, SACH- ODER PERSONENSCHÄDEN, GLEICH WELCHER ART UND URSACHE, AUCH WENN NOCO KENNNTNIS VON DER MÖGLICHKEIT SOLCHER SCHÄDEN HATTE. DIE HIER FESTGELEGTEN GARANTIE ERSETZEN ALLE ANDEREN GARANTIE, OB AUSDRÜCKLICH, STILLSCHWEIGEND, GESETZLICH ODER ANDERWEITIG, EINSCHLIESSLICH, JEDOCH OHNE BESCHRÄNKUNG AUF, DIE STILLSCHWEIGENDEN GARANTIE DER ALLGEMEINEN GEBRAUCHSTAUGLICHKEIT UND TAUGLICHKEIT FÜR EINEN BESTIMMTEN ZWECK SOWIE JENE GARANTIE, DIE SICH AUS DEM REGULÄREN GESCHÄFTSBETRIEB, NUTZUNG ODER HANDELSPRAXIS ERGEBEN. WO GELTENDES RECHT GARANTIE, BEDINGUNGEN ODER VERPFLICHTUNGEN VORSIEHT, DIE NICHT AUSGESCHLOSSEN ODER VERÄNDERT WERDEN KÖNNEN, SO GELTEN DIE BESTIMMUNGEN DIESES ABSCHNITTS IM GRÖSSTMÖGLICHEN GESETZLICH VORGESEHENEN UMFANG.

Diese beschränkte Garantie gilt ausschließlich für den Erstkäufer dieses Produkts, das dieser direkt von NOCO oder über einen anerkannten Vertriebspartner erworben hat, und kann nicht übertragen werden. Um einen Garantieanspruch geltend zu machen, muss der Käufer: (1) eine Warenrücksendegenehmigungsnummer (return merchandise authorization - RMA) sowie Informationen zum Rückgabeort (der „Rückgabeort“) per E-Mail an support@no.co oder per Telefon unter 1.800.456.6626 anfordern; sowie (2) das Produkt, einschließlich RMA-Nummer, Empfangsbestätigung oder Garantiegebühr (nur fällig bei fehlender Empfangsbestätigung) in Höhe von 45% des vorgeschlagenen Listenpreises des fehlerhaften Produkts (die „Garantiegebühr“) [RMA umfasst die entsprechende Garantiegebühr] an den Rückgabeort senden. SENDEN SIE DAS PRODUKT ERST AN DEN RÜCKGABEORT, NACHDEM SIE EINE WARENRÜCKSENDEGENEHMIGUNG (RMA) DURCH DEN NOCO-SUPPORT ERHALTEN HABEN.

DER ERSTKÄUFER SORGT FÜR DIE VERPACKUNG UND DEN VERSAND DER WARE, UM PRODUKTE IM RAHMEN DER GARANTIELEISTUNG AN DEN RÜCKGABEORT ZU SENDEN, UND MUSS DIESE IM VORAUS BEZAHLEN.

UNABHÄNGIG DAVON GILT DIESE BESCHRÄNKTE GEWÄHRLEISTUNG NICHT FÜR PRODUKTE, DIE: (a) unsachgemäß gehandhabt oder

angewendet werden, übermäßigem Verschleiß ausgesetzt waren oder nachlässig behandelt wurden, unsachgemäß gelagert oder Bedingungen wie extremer Spannung, Temperatur, Erschütterungen oder Vibrationen ausgesetzt wurden, die über die Empfehlungen für eine gefahrlose und wirksame Nutzung hinausgehen; (b) unsachgemäß installiert, verwendet oder gewartet wurden; (c) ohne die schriftliche Einwilligung von NOCO verändert wurden/werden; (d) durch Dritte demontiert, verändert oder repariert wurden; (e) deren Fehlerhaftigkeit erst nach der Garantiefrist mitgeteilt wurden.

NICHT ABGEDECKT DURCH DIESE EINGESCHRÄNKTE GARANTIE SIND: (1) normale Abnutzung; (2) kosmetische Schäden, die die Funktionsfähigkeit nicht beeinträchtigen; oder (3) Produkte, bei denen die NOCO-Seriennummer fehlt, verändert wurde, oder unleserlich gemacht wurde.

BEDINGUNGEN FÜR DIE PROBLEMLOSE GARANTIE

Diese Bedingungen gelten nur für unsere Produkte während ihrer Garantiezeit. Die problemlose Garantie erlischt entweder nach Ablauf des Garantiezeitraumes, der ab dem Kaufdatum zu laufen beginnt (bzw. nach dem Ablauf desselben Zeitraumes, gerechnet ab dem Produktionsdatum gemäß der Seriennummer des Gerätes, falls der Kunde keinen Kaufnachweis vorlegen kann) oder aufgrund der zuvor in diesem Dokument aufgeführten Bedingungen. Bitte geben Sie das Produkt mit der entsprechenden Dokumentation zurück.

Mit Quittung, Rechnung oder Kaufbeleg:

Ein Jahr: KEINE Gebühr. Mit Kaufbeleg beginnt der Garantiezeitraum ab dem Kaufdatum.

Ohne Quittung, Rechnung oder Kaufbeleg:

Ein Jahr: KEINE Gebühr. Ohne Kaufbeleg beginnt der Garantiezeitraum ab dem Produktionsdatum gemäß der Seriennummer des Gerätes.

Sie können Ihr NOCO-Produkt online unter folgender URL registrieren: no.co/register. Wenn Sie Fragen zu Ihrem Produkt oder Ihrer Garantie haben sollten, wenden Sie sich bitte an den NOCO-Support (E-Mail und Telefon siehe oben) oder schreiben Sie an: The NOCO Company, 30339 Diamond Parkway, #102, Glenwillow, OH 44139 USA.

NOCO BOOST[®] MAX[™] GB251+



PERICOLO

Manuale d'uso e Garanzia



LEGGERE ATTENTAMENTE LE INFORMAZIONI DI SICUREZZA PRIMA DI UTILIZZARE IL PRODOTTO. Il mancato rispetto delle informazioni di sicurezza può causare SCOSSE ELETTRICHE, ESPLOSIONI e INCENDI con il rischio di possibili GRAVI DANNI ALLA SALUTE, a COSE e anche la MORTE.



Scosse elettriche. Il prodotto è un dispositivo elettrico che può causare scosse elettriche e lesioni gravi. Non tagliare i cavi di alimentazione. Non immergere in acqua o bagnare.



Esplosione. Batterie non monitorate, non compatibili o danneggiate possono esplodere se utilizzate con il prodotto. Non lasciare il prodotto incustodito se in uso. Non cercare di ricaricare batterie danneggiate o congelate. Usare il prodotto solo con batterie che hanno tensione consigliata. Usare il prodotto in zone ben ventilate.



Incendio. Il prodotto è un dispositivo elettrico che produce calore e può pertanto causare scottature. Non coprire il prodotto. Non fumare o impiegare altre apparecchiature che potrebbero causare scintille o fuoco quando il prodotto è in uso. Tenere il prodotto a distanza da materiali infiammabili.



Lesioni agli occhi. Utilizzare occhiali protettivi quando si utilizza il prodotto. Le batterie possono esplodere e scagliare frammenti a distanza. L'acido contenuto nella batteria può irritare gli occhi e la pelle. Nel caso di contatto con occhi e pelle, sciacquare abbondantemente l'area interessata con acqua corrente e rivolgersi subito al medico.



Gas esplosivi. Eseguire qualsiasi operazione in prossimità di batterie al piombo-acido può essere pericoloso. Le batterie generano gas esplosivi durante il loro normale utilizzo. Per ridurre il rischio che la batteria esploda, seguire attentamente tutte le istruzioni di sicurezza, comprese quelle della batteria stessa e quelle di qualsiasi altro dispositivo che si intenda utilizzare in prossimità della batteria. Prestare attenzione ai simboli di pericolo presenti su questi prodotti e sul motore.

Italiano

Per maggiori informazioni e supporto visitare:

www.no.co/support

Importanti informazioni di sicurezza

IT

ATTENZIONE

La modalità manuale disabilita tutte le misure di sicurezza. Se utilizzata impropriamente e/o contro le nostre raccomandazioni d'uso, potrebbe causare lesioni o la morte, annullando pertanto la garanzia. Pericolo d'incendio, esplosioni e ustioni. Non smontare, rompere, riscaldare al di sopra di 60°C o incenerire. Il presente dispositivo è destinato all'uso all'aperto temporaneo e deve essere utilizzato con cautela in condizioni di umidità.

AVVERTENZA

Non sovraccaricare la batteria interna. Consultare il manuale d'istruzioni. Non fumare, né accendere un fiammifero, né provocare una scintilla nelle vicinanze dell'alimentatore. Caricare la batteria interna solo in un luogo ben ventilato, quando il dispositivo non è in uso.

ATTENZIONE

Pericolo di lesioni personali. Non utilizzare il presente prodotto, se il cavo di alimentazione o i cavi della batteria sono danneggiati. Il presente dispositivo non deve essere utilizzato in un'officina commerciale. Il presente dispositivo deve essere conservato al chiuso, quando non è in uso. Il presente dispositivo non deve essere conservato all'aperto, quando non è in uso.

Proposition 65. I poli delle batterie, i terminali e altri accessori correlati contengono sostanze chimiche, tra cui il piombo. Lo Stato della California ritiene che queste sostanze possano causare cancro, difetti alla nascita e altri danni riproduttivi. **Precauzioni personali.** Utilizzare il prodotto solo per l'uso a cui è destinato. Si consiglia di trovarsi in prossimità di qualcuno che possa essere allertato dal suono della vostra voce o che si trovi a una distanza tale da poter prestare soccorso in caso di emergenza. Accertarsi di avere a disposizione dell'acqua fresca e del sapone in caso si entri accidentalmente in contatto con l'acido della batteria. Indossare occhiali di protezione e abbigliamento adeguato durante lo svolgimento di qualsiasi operazione in prossimità di una batteria. Lavarsi sempre le mani dopo aver toccato batterie e altri materiali correlati. Non maneggiare o indossare oggetti metallici tra cui attrezzi, orologi e gioielli quando si svolgono operazioni con batterie. Se oggetti metallici urtano la batteria possono provocare scintille o creare cortocircuiti con il rischio di scosse elettriche, incendi ed esplosioni, che possono essere causa di lesioni, morte e danni alla proprietà. **Minori.** Se l'acquirente compera il prodotto destinandone l'uso a un minore, l'adulto si impegna a fornire istruzioni e avvertimenti dettagliati al minore prima dell'uso. La mancata osservanza di ciò è da considerarsi come sola e unica responsabilità dell'acquirente che accetta di esimersi NOCO da ogni responsabilità legata a un qualsiasi uso inappropriato del prodotto da parte di minori. **Rischio di soffocamento.** Gli accessori possono

costituire un rischio di soffocamento per i bambini. Non lasciare bambini incustoditi in prossimità del prodotto e di altri accessori. Questo prodotto non è un giocattolo. **Impiego.** Maneggiare il prodotto con cura. Il prodotto può essere danneggiato a seguito di urti. Non utilizzare il prodotto qualora siano presenti danni, compresi a titolo esemplificativo ma non limitativo, fenditure sulla parte esterna e cavi danneggiati. Non usare il prodotto se il cavo di alimentazione risulta danneggiato. Umidità e liquidi possono causare danni al prodotto. Non utilizzare il prodotto o qualsiasi altro componente elettrico in prossimità di liquidi. Conservare e utilizzare il prodotto in luoghi secchi e asciutti. Non utilizzare il prodotto se bagnato. Qualora il prodotto dovesse bagnarsi mentre è in funzione, scollegarlo dalla batteria e interromperne l'uso immediatamente. Non scollegare il prodotto tirando via i cavi con forza. Modifiche. Non alterare, modificare o riparare nessuna componente del prodotto. Smontare il prodotto potrebbe causare lesioni, morte o danni alla proprietà. Se il prodotto fosse danneggiato, presentasse un malfunzionamento o venisse a contatto con liquidi, interromperne immediatamente l'uso e contattare NOCO. Qualsiasi modifica apportata al prodotto annulla la validità della garanzia. **Accessori.** L'uso di questo prodotto è approvato solo con accessori NOCO. NOCO non si assume alcuna responsabilità riguardo alla sicurezza dell'utente o a eventuali danni legati all'impiego di accessori che non siano approvati da NOCO. **Posizione.** Evitare che l'acido della batteria venga a contatto con il prodotto. Non eseguire operazioni con il prodotto in spazi ristretti e scarsamente ventilati. Non posizionare la batteria sopra il prodotto. Posizionare i cavi di collegamento in modo appropriato così da evitare danni accidentali muovendo parti del veicolo (tra cui cofano e portiere), parti del motore (comprese le pale della ventola, cinghie e pulegge), o qualsiasi altra parte che potrebbe costituire un pericolo e causare lesioni o morte. **Temperatura di funzionamento.** Questo prodotto è progettato per essere usato a una temperatura ambiente compresa fra -20°C e 50°C. Non utilizzare il prodotto a temperature non incluse in questo range. Non effettuare avviamenti di emergenza su batterie congelate. Interrompere immediatamente l'uso del prodotto se la batteria si surriscalda. **Conservazione.** Non utilizzare o conservare il prodotto in ambienti a elevata concentrazione di polvere o pulviscolo atmosferico. Collocare il prodotto su una superficie piana e stabile in modo da scongiurare il rischio di cadute. Conservare il prodotto in ambienti secchi e asciutti. La temperatura di conservazione è -20°C - 50°C (Temperatura media da 0°C a + 25°C). Non superare mai gli 80°C. **Compatibilità.** Il prodotto è compatibile solo con sistemi a batterie al piombo da 12 Volt. Non utilizzare il prodotto con altre tipologie di batterie. Avviare con i cavi eventuali batterie contenenti altre sostanze chimiche potrebbe provocare lesioni, morte o danni a oggetti. Contattare il produttore prima di tentare l'avvio di emergenza di qualsiasi batteria. Non avviare con i cavi una batteria se non si è sicuri della composizione chimica o dello specifico voltaggio. **La Batteria.** La batteria agli ioni di litio incorporata nel prodotto può essere sostituita solo da NOCO e deve essere riciclata o smaltita separatamente dai rifiuti domestici. Non cercare di sostituire la batteria e non maneggiare batterie agli ioni di litio che presentino danni o fuoriuscite. Non disfarsi della batteria assieme ai rifiuti domestici. Lo smaltimento di batterie assieme ai rifiuti domestici è contro la legge e le normative in materia ambientale. Consegnare le batterie usate agli appositi centri di raccolta locali. Se la batteria del prodotto diventa eccessivamente calda e maleodorante, deformata, presenta tagli o se in essa si osserva il verificarsi di una circostanza anormale, interromperne immediatamente l'uso e rivolgersi a NOCO. **Ricarica della batteria.** Caricare il

prodotto con il caricabatteria per auto (12V DC) o con il caricatore da parete XGC4 in dotazione. Non utilizzare adattatori generici o di terze parti, poiché potrebbero comportare gravi rischi elettrici, che potrebbero provocare danni a persone, dispositivi e cose. L'uso di cavi o caricatori danneggiati o la ricarica in ambiente umido potrebbe provocare scariche elettriche. NOCO non sarà responsabile della sicurezza dell'utente, né di eventuali danni al dispositivo o a oggetti, in caso di utilizzo di accessori o alimentatori non approvati dall'azienda. Quando si utilizza il caricatore a muro XGC4, assicurarsi che la spina AC sia completamente inserita nell'adattatore, prima di collegarlo a una presa di corrente. L'adattatore potrebbe scaldarsi durante il normale utilizzo: il contatto prolungato con la pelle potrebbe causare delle lesioni. Garantire sempre una ventilazione adeguata all'adattatore durante l'uso. Per assicurare la massima durata alla batteria, evitare di caricare il prodotto per più di una settimana alla volta, poiché il sovraccarico potrebbe ridurre la durata della batteria. Con il passare del tempo, se inutilizzato, il prodotto tenderà a scaricarsi e lo si dovrà ricaricare prima dell'uso. Scollegare il dispositivo dalle fonti di alimentazione quando non è in uso. Utilizzare il prodotto solo per gli scopi previsti.

Dispositivi medici. Il prodotto può emettere campi elettromagnetici. Il prodotto contiene componenti magnetiche che possono interferire con il funzionamento di pacemaker, defibrillatori e altri dispositivi medici. Tali campi elettromagnetici possono interferire con il funzionamento di pacemaker e altri dispositivi medici. Consultare il medico prima di procedere all'uso del prodotto in caso si sia portatori di dispositivi medici tra cui pacemaker. Se si ha il sospetto che il prodotto interferisca con dispositivi medici, interrompere immediatamente l'uso e rivolgersi al medico.

Condizioni mediche. Se si è affetti da condizioni mediche, quali ad esempio crisi epilettiche, svenimenti, affaticamento oculare o emicrania, e si ritiene che queste possano essere influenzate dall'impiego del prodotto, consultare il proprio medico prima di procedere all'uso. L'impiego della potente torcia integrata nel prodotto può costituire un pericolo di sensibilità alla luce. L'impiego della modalità strobe può causare convulsioni in persone con epilessia fotosensibile, con conseguenti lesioni fisiche gravi o la morte.

Torcia. Puntare gli occhi direttamente verso il fascio luminoso emesso dalla torcia può provocare danni permanenti agli occhi. Il prodotto contiene una torcia prefocalizzata con LED ad alto rendimento, in grado di emettere un fascio di luce potente se regolato al massimo.

Pulizia. Scollegare il prodotto dalla presa di corrente prima di effettuare qualsiasi tipo di manutenzione o pulizia. Pulire e asciugare immediatamente il prodotto qualora questo venga a contatto con liquidi o altri agenti contaminanti. Utilizzare un panno morbido che non lasci residui e pelucchi (microfibra). Evitare che condensa e umidità penetrino all'interno delle aperture.

Rischio di esplosioni. Rispettare tutti i simboli di pericolo e le istruzioni. Non utilizzare il prodotto in ambienti che possano contenere gas esplosivi, come ad esempio aree di rifornimento carburante o aree dove siano presenti sostanze chimiche o particelle come granelli, polvere o polveri metalliche.

Attività con conseguenze gravi. Questo prodotto non è da destinarsi all'uso qualora eventuali guasti dello stesso possano causare lesioni, morte o gravi danni all'ambiente.

Interferenze. Il prodotto è stato progettato, testato e realizzato in ottemperanza con le normative che regolano le emissioni di radiofrequenze. Le emissioni rilasciate dal prodotto possono compromettere il funzionamento di altri dispositivi elettronici, causandone il malfunzionamento.

Numero di modello: GB251. Questo dispositivo è conforme alla Parte 15 delle normative FCC. L'utilizzo è soggetto alle due condizioni seguenti: (1) questo dispositivo non causa interferenze dannose, e (2) questo

dispositivo deve essere in grado di tollerare qualsiasi interferenza ricevuta, comprese quelle che possano causare un funzionamento indesiderato. NOTA: Questo apparecchio è stato testato ed è risultato conforme ai limiti previsti per i dispositivi digitali di Classe A, in linea con la Parte 15 delle normative FCC. Questi limiti sono stati creati con l'obiettivo di fornire un buon livello di protezione da interferenze pericolose qualora il dispositivo venga utilizzato in ambienti commerciali. Questo apparecchio genera, impiega e può emettere radiofrequenze e, se non installato e utilizzato in conformità con le istruzioni presenti nel manuale d'uso, può causare interferenze che influenzano negativamente le radiocomunicazioni. Poiché l'utilizzo di questo apparecchio in aree residenziali può causare interferenze, è responsabilità dell'utente risolvere il problema di interferenza a proprie spese.

Come usare il prodotto

Fase 1: Ricarica di GB251.

Il caricatore GB251 appena estratto dalla confezione viene fornito parzialmente carico: lo si dovrà ricaricare completamente prima dell'uso. Caricare il prodotto con il caricabatteria per auto (12V DC) o con il caricatore da parete XGC12 in dotazione, collegandolo alla presa in ingresso da 12V (IN). Il tempo necessario a ricaricare un caricatore GB251 varia in base al livello di carica e alla fonte di alimentazione utilizzata. I risultati effettivi potrebbero variare a seconda delle condizioni della batteria e del livello di carica.

Durante la ricarica, il livello di carica della batteria interna è indicato dagli appositi LED. I LED emettono una luce intermittente che diventa fissa quando tutti e quattro i LED di carica sono accesi. Quando la batteria è completamente carica, la luce verde che contrassegna il massimo della carica diventa costante, mentre gli altri LED di carica del 25%, 50% e 75% si spengono. Di tanto in tanto, il LED verde che contrassegna il massimo della carica emette una luce pulsante per indicare che è in corso la carica di mantenimento.

Tempo di carica:	Potenza nominale:
5hr	56W

Il livello della batteria interna



25% 50% 75% 100%

Fase 2: **Effettuare il collegamento alla batteria.**

Leggere attentamente i contenuti del manuale del veicolo e assicurarsi di aver compreso le precauzioni specifiche e i metodi consigliati per l'avvio con i cavi. Verificare la tensione e la composizione chimica della batteria, facendo riferimento al relativo manuale utente, prima di utilizzare questo prodotto. Il caricatore GB251 è adatto unicamente all'avvio di emergenza di sistemi a batterie al piombo da 24V. Prima di collegare la batteria, verificare che sia un dispositivo al piombo da 24V. Il caricatore GB251 non è adatto a nessun altro tipo di batteria. Identificare la polarità corretta dei terminali sulla batteria. Il polo positivo è generalmente contrassegnato da alcune lettere o simboli (POS, P, +). Allo stesso modo, il polo negativo è generalmente contrassegnato da alcune lettere o simboli (NEG, N, -). Non collegare al carburatore, ai dispositivi di distribuzione del carburante o a parti sottili in lamiera. Le istruzioni che seguono si riferiscono a un sistema di messa a terra tramite polo negativo (il più comune). Se il veicolo fosse dotato di un sistema di messa a terra tramite polo positivo (molto raro), si consiglia di consultarne il manuale per le relative istruzioni in caso di avvio di emergenza.

1.) Collegare il morsetto positivo (rosso) della batteria al terminale positivo (POS, P, +) e il negativo (nero) al terminale negativo (NEG, N, -) o al telaio del veicolo.

Fase 3: **Avviamento di emergenza.**

1.) Accertarsi che tutti i carichi del veicolo (fari, radio, condizionatore, ecc.) siano spenti prima di effettuare l'avviamento di emergenza.

2.) Premendo il pulsante di accensione, inizierà l'avviamento di emergenza e tutti i LED lampeggeranno una volta. Se il dispositivo è correttamente collegato alla batteria, il LED di ricarica bianco si illuminerà, seguito dai LED che indicano la carica della batteria. Non appena verrà rilevata la batteria, inizierà un conto alla rovescia di 60 secondi.

3.) Provare ad accendere il veicolo. La maggior parte dei veicoli si metterà subito in moto. Alcuni veicoli potrebbero invece dover restare collegati a GB251 fino a 30 secondi prima di azionarsi. Se il veicolo non riparte subito, aspettare per 20 o 30 secondi prima di riprovare. Non effettuare più di cinque (5) tentativi di avviamento di emergenza consecutivi nell'arco di quindici (15) minuti. Lasciare GB251 in pausa per quindici (15) minuti prima di fare un nuovo tentativo.

4.) Dopo aver messo in moto il veicolo, scollegare le pinze e rimuovere GB251.

Conto alla rovescia di 60 secondi.

Non appena verrà rilevata la batteria, si avvierà un conto alla rovescia di 60 secondi. Dopo 60 secondi, la funzione di avvio verrà disattivata. La spia LED Boost si spegnerà e il LED di carica della batteria interna indicherà l'attuale livello di carica dell'unità. Per resettare la funzione di avvio, premere il pulsante di accensione per spegnere l'unità. Premere di nuovo il pulsante di accensione sull'unità e riprovare con la funzione di avvio.

ATTENZIONE.

LA FUNZIONE DI CONTO ALLA ROVESCIA DI A 60 SECONDI VIENE DISABILITATA QUANDO SI USA LA MODALITÀ MANUALE DI SOVRACCARICO. L'ALIMENTAZIONE CONTINUERÀ AD ESSERE FORNITA MENTRE IL SOVRACCARICO MANUALE È ATTIVO. PER MASSIMIZZARE IL NUMERO DI AVVII, SI RACCOMANDA DI SPEGNERE L'UNITÀ DI SOVRACCARICO, NON APPENA IL VEICOLO È PARTITO.

Batterie a bassa tensione e modalità di Manual Override (intervento manuale)

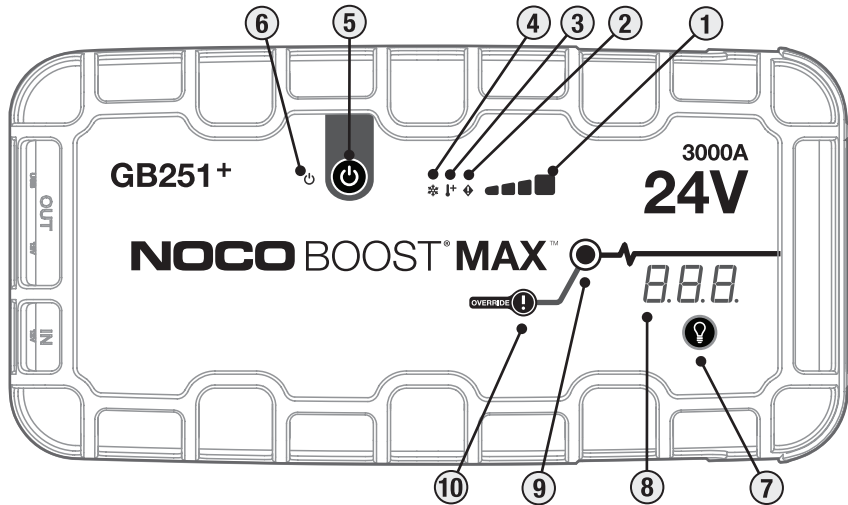
Il caricatore GB251 è progettato per avviare sistemi a batterie al piombo da 2 a 24V. Se la batteria dovesse avere un voltaggio inferiore a 2V, il LED che indica la ricarica rimarrà su "off" (cioè, spento). Ciò indica che il GB251 non è in grado di rilevare la batteria. Se fosse necessario avviare con i cavi una batteria al di sotto dei 2V, è disponibile una funzione di esclusione manuale, che consente di forzare l'avvio della ricarica. Se la batteria dovesse avere un voltaggio inferiore a 2V, il LED di ricarica rimarrà spento e il voltmetro non indicherà alcuna misura di tensione.

ATTENZIONE.

UTILIZZARE QUESTA MODALITÀ CON ESTREMA CAUTELA. QUESTA MODALITÀ È INDICATA SOLTANTO PER I SISTEMI A BATTERIE AL PIOMBO DA 24 VOLT. ENTRAMBE LE FUNZIONI DI PROTEZIONE ANTISCINTILLA E INVERSIONE DELLE POLARITÀ SONO DISATTIVATE. PRESTARE MOLTA ATTENZIONE ALLA POLARITÀ DELLA BATTERIA PRIMA DI UTILIZZARLA. NON METTERE IN CONTATTO I MORSETTI DELLA BATTERIA (POLO POSITIVO E NEGATIVO), NÉ COLLEGARLI L'UNO ALL'ALTRO, POICHÉ IL PRODOTTO INIZIEREBBE A FARE SCINTILLE. QUESTA MODALITÀ IMPIEGA CORRENTE A INTENSITÀ MOLTO ELEVATE (FINO A 3.000 A), CHE PUÒ PROVOCARE SCINTILLE E GENERARE MOLTO CALORE, SE NON UTILIZZATA IN MODO CORRETTO. IN CASO DI DUBBIO SULL'UTILIZZO DI QUESTA MODALITÀ, NON TENTARE L'AVVIO DI EMERGENZA E CHIEDERE AIUTO A PERSONALE SPECIALIZZATO.

Alimentazione dei dispositivi USB e 12V.

Il caricatore GB251 è dotato di (2) prese USB-OUT e una 12V OUT (12V AUX/accendisigari). Basta collegare un dispositivo USB standard o uno da 12V (fino a 15 A) e accendere il GB251 per iniziare ad alimentare qualsiasi prodotto.



Interfaccia

1.) Il livello della batteria interna Indica lo stato di carica della batteria interna.

2.) Il LED di errore Si illumina di rosso se viene rilevata l'inversione di polarità, oppure lampeggia "on" e "off" in varie sequenze (da 1 a 6 lampeggi) per indicare le condizioni di errore.

3.) La spia LED di surriscaldamento emette una luce rossa costante; l'unità è completamente operativa ma la temperatura sta raggiungendo il limite massimo. Rosso lampeggiante; l'unità è troppo calda per l'avvio rapido, solo la torcia è disponibile in questo stato.

4.) La spia LED di raffreddamento emette una luce blu costante; l'unità è completamente operativa ma la temperatura sta raggiungendo il limite minimo. Blu lampeggiante; l'unità è troppo fredda per l'avvio rapido, solo la torcia è disponibile in questo stato.

5.) Pulsante di accensione e spegnimento Premere il pulsante per accendere e spegnere il dispositivo.

6.) Il LED di alimentazione Emette una luce bianca quando l'unità è accesa. Si illuminerà in arancione dopo il conto alla rovescia di 60 secondi di timeout fino a quando i morsetti non vengono rimossi dalla batteria dell'auto o il GB251 viene spento e riacceso di nuovo.

7.) Pulsante di modalità luce Alterna la luce ultra-luminosa emessa dai LED in 7 diverse modalità: 100% > 50% > 10% > SOS > Lampeggio > Strobe > Spegnimento

8. Voltmetro / conto alla rovescia Il voltmetro incorporato rileva la tensione della batteria del veicolo, migliorando i livelli di diagnostica e risoluzione dei problemi. Il voltmetro rileva automaticamente la tensione di qualsiasi tipo di batteria (o sistema di batterie) quando le pinze sono collegate, anche se l'unità è spenta. Il voltmetro rileva livelli di tensione compresi tra ~3V e ~30V. Se la batteria collegata è al di sotto di 3V non viene rilevata. Un livello di tensione così basso potrebbe essere dovuto a un sovraccarico (o sovraccarichi) della batteria, ad esempio fari o ventola del condizionatore accesi, che dovrebbero essere spenti prima di provare ad avviare il veicolo. Mentre l'unità è accesa e dopo che viene rilevata una batteria, il voltmetro visualizzerà il conto alla rovescia del timeout di 60 secondi.

9.) Il LED di carica Boost Emette una luce bianca quando la funzione di carica Boost è attiva. Se l'unità è opportunamente collegata a una batteria, GB251 ne rileva automaticamente la presenza ed entra in modalità di ricarica Boost (quando la funzione di Manual Override è attiva, la spia emette una luce bianca intermittente).

10.) Pulsante di Manual Override Per attivare questa funzione, tenere premuto il pulsante per tre (3) secondi. **ATTENZIONE: Questa funzione disabilita il sistema di protezione di sicurezza e induce manualmente l'attivazione della carica Boost. Da utilizzare solo quando la tensione della batteria è troppo bassa per essere rilevata.**

Risoluzione problemi

IT

	Errore:	Causa/Soluzione
⚠	LED di errore: Luce rossa costante	Inversione di polarità/Invertire i collegamenti della batteria.
	LED di errore: Luce rossa lampeggiante in presenza di cavi collegati correttamente	Corto circuito rilevato sui morsetti della batteria. / Far controllare la batteria da un professionista.
	Lampeggia una volta (1)	Corto circuito rilevato sui morsetti della batteria. / Rimuovere tutte le cariche e riconnettere i morsetti alla batteria.
	Doppio (2) Flash	Rilevata alta tensione ai morsetti (il GB251 è collegato a un sistema di tensione maggiore di 24V).
	Flash quadruplo (4)	Errore di timeout di carica (ovvero il GB251 è stato caricato in blocco per troppo tempo)
	Quintupla (5) Flash	XGC OUT sopra la corrente (cioè più di 15 ampere vengono prelevati dalla porta XGC OUT)
🔥+	Sestuplo (6) Flash	Errore BMS (sistema di gestione della batteria). (Spegnere e riaccendere il GB251 per cancellarlo. Se il problema persiste, contattare l'assistenza clienti)
	Spia LED di calore: Costante	L'unità è completamente operativa ma la temperatura sta raggiungendo il limite massimo. / Far raffreddare il dispositivo.
	Spia LED di surriscaldamento: Lampeggio	L'unità è troppo calda per l'avvio rapido, solo la torcia è disponibile in questo stato. / Lasciar raffreddare l'unità.
	Spia LED di surriscaldamento: Lampeggio iniziale seguito dallo spegnimento di tutte le spie LED	La temperatura del dispositivo è troppo elevata per effettuare avviamenti di emergenza o qualsiasi altra funzione. / Lasciar raffreddare il dispositivo e spostarlo in un ambiente più fresco.

❄️	Spia LED di raffreddamento: Costante	L'unità è completamente operativa ma la temperatura sta raggiungendo il limite minimo. / Far riscaldare il dispositivo.
	Spia LED di raffreddamento: Lampeggio	L'unità è troppo fredda per l'avvio rapido, solo la torcia è disponibile in questo stato / Lasciare che l'unità si riscaldi.
	Spia LED di raffreddamento: Lampeggio iniziale seguito dallo spegnimento di tutte le spie LED	La temperatura del dispositivo è troppo bassa per effettuare avviamenti di emergenza o qualsiasi altra funzione. / Consentire al dispositivo di riscaldarsi e spostarlo in un ambiente più caldo.
	La luce di carica Boost non si attiva se i cavi sono collegati correttamente.	La batteria collegata ha una tensione inferiore a 3V/Rimuovere tutti i carichi e riprovare, oppure ricorrere alla modalità di Manual Override (intervento manuale).

Dati tecnici

Batteria interna: 137Wh Ioni di litio	12V (entrata): 12V/5A (14V Max)
Corrente nominale di picco: 3000A	12V (uscita): 12V, 15V Max
Temperatura di funzionamento: da -20°C a +50°C	Protezione ingresso: IP65 (con porte chiuse)
Temperatura di carica: da 0°C a +40°C	Raffreddamento: Convezione naturale
Temperatura di conservazione: da -20°C a +50°C (temperatura media)	Dimensioni (L x L x A): 31,75 x 20,83 x 3,39 Centimetri
USB (uscita): 5V, 2,1A	Peso: 6,19 chilogrammi (13,65 lb)

Garanzia limitata di un (1) anno di NOCO

IT

L'Azienda NOCO ("NOCO") garantisce che questo prodotto ("Prodotto") non presenta difetti o lesioni tanto nei materiali quanto nella lavorazione per un periodo di tempo di un anno a decorrere dalla data di acquisto ("Periodo di garanzia"). Per i difetti segnalati durante il Periodo di garanzia, NOCO provvederà a sua discrezione e previa analisi tecnica di supporto, a riparare o sostituire i prodotti difettosi. Le parti e i prodotti sostitutivi saranno nuovi o comunque in buono stato, equiparabili sia per funzione che per prestazione agli originali e saranno inoltre garantiti fino alla scadenza del Periodo di garanzia iniziale.

LA RESPONSABILITÀ CHE SI ASSUME NOCO È PERTANTO STRETTAMENTE LIMITATA ALLA SOSTITUZIONE O ALLA RIPARAZIONE DEL PRODOTTO. NELLA MISURA MASSIMA CONSENTITA DALLA LEGGE, L'AZIENDA NOCO NON POTRÀ ESSERE RITENUTA RESPONSABILE DA PARTE DI ALCUN ACQUIRENTE DEL PRODOTTO O PARTE TERZA, DI NESSUN TIPO DI DANNO, SIA ESSO SPECIALE, INDIRECTO, CONSEGUENTE O ESEMPLARE, MI COMPRESI A TITOLO ESEMPLIFICATIVO E NON ESAUSTIVO: MANCATO PROFITTO E DANNI ALLA PROPRIETÀ O ALLA PERSONA CHE POSSANO ESSERE IN QUALCHE MODO COLLEGATI AL PRODOTTO E INDIPENDENTEMENTE DALLA CAUSA, ANCHE SE NOCO FOSSE A CONOSCENZA DELLA POSSIBILITÀ DI TALI DANNI. QUESTE GARANZIE, COME SANCITE NEL PRESENTE DOCUMENTO, SOSTITUISCONO QUALSIASI ALTRO TIPO DI GARANZIA, SIA IMPLICITA CHE ESPLICITA, LEGALE O MENO, INCLUDENDO MA NON LIMITANDO LE GARANZIE COMMERCIALI E PER PARTICOLARI SCOPI O USI, E QUELLE DERIVANTI DA CORSI ED USI COMMERCIALI. QUALORA UNA QUALSIASI LEGGE APPLICABILE SANCISCA GARANZIE, CONDIZIONI E OBBLIGHI CHE NON POSSONO ESSERE ESCLUSI O MODIFICATI, IL PRESENTE PARAGRAFO SARÀ VALIDO NEI LIMITI MASSIMI CONSENTITI DA TALE LEGGE.

La presente Garanzia limitata è valida solo per l'acquirente originale del Prodotto fabbricato da NOCO o per rivenditori o distributori approvati da NOCO e non è assegnabile o trasferibile a nessun'altro. Per rivendicare i propri diritti di garanzia, l'acquirente deve: (1) richiedere e ottenere un numero RMA ("Return Merchandise Authorization") e l'indirizzo della sede presso cui rispedire la merce ("Sede di reinvio"), inviando una e-mail al servizio di assistenza di NOCO all'indirizzo support@no.co o chiamando il numero 1.800.456.6626. In seguito procedere a (2) rispedire il Prodotto alla Sede di reinvio allegando il numero RMA, la ricevuta di acquisto o una commissione di garanzia (obbligatoria solo in mancanza di ricevuta) pari al 45% del prezzo al dettaglio del prodotto difettoso ("Commissione di garanzia") [il numero RMA include l'importo applicabile della Commissione di garanzia]. NON RISPEDIRE IL PRODOTTO SENZA AVER PRIMA OTTENUTO UN NUMERO RMA DAL SERVIZIO ASSISTENZA DI NOCO.

È RESPONSABILITÀ DELL'ACQUIRENTE ORIGINALE DI FARSI CARICO DI TUTTI I COSTI DI IMBALLAGGIO E SPEDIZIONE (CHE DEVONO ESSERE PREPAGATI) PER RISPEDIRE IL PRODOTTO E USUFRUIRE DEL SERVIZIO DI GARANZIA.

IN DEROGA A QUANTO SOPRA ELENCATO, QUESTA GARANZIA LIMITATA NON HA VALORE E NON È APPLICABILE IN CASO DI: (a) uso inappropriato, manipolazione impropria o uso illecito o negligente, rotture o danni accidentali, scorretta conservazione, utilizzo a livelli estremi di tensione, temperatura, urti o vibrazioni che non siano in linea con le raccomandazioni di NOCO per un uso sicuro ed effettivo del prodotto; b) installazione, utilizzo e manutenzione scorretti; c) modifiche apportate in mancanza di espresso consenso scritto di NOCO; d) smontaggio, alterazione o riparazioni non effettuati da NOCO; e) difetti segnalati al termine del Periodo di garanzia.

LA PRESENTE GARANZIA LIMITATA NON COPRE: (1) normale usura; (2) danni estetici che non alterano la funzionalità del prodotto; o (3) prodotti sprovvisti del numero di serie di NOCO o dove il numero di serie è alterato o rovinato.

CONDIZIONI GARANZIA GRATUITA

Le presenti condizioni si applicano esclusivamente al prodotto durante il periodo di garanzia previsto. La garanzia gratuita viene annullata dal tempo trascorso dalla data di acquisto (tempo trascorso dalla data del numero seriale, se non vi è una prova d'acquisto) o dalle condizioni elencate in precedenza nel presente documento. Restituire il prodotto con la documentazione appropriata.

Con la ricevuta d'acquisto:

1 anno: SENZA costo. Con la prova d'acquisto, il periodo di garanzia ha inizio il giorno della data di acquisto.

SENZA la ricevuta d'acquisto:

1 anno: SENZA costo. SENZA la prova d'acquisto, il periodo di garanzia ha inizio il giorno del numero seriale.

È possibile registrare i prodotti NOCO online su no.co/register. Per qualsiasi domanda su garanzia o prodotti, contattare il servizio di assistenza di NOCO (indirizzo e-mail e numero qui sopra) o scrivere a: The NOCO Company, 30339 Diamond Parkway, #102, Glenwillow, OH 44139 S.U.A.

NOCO BOOST[®] MAX[™] GB251+



PELIGRO

Guía de usuario y garantía



ASEGÚRESE DE QUE LEE Y ENTIENDE TODA LA INFORMACIÓN DE SEGURIDAD ANTES DE USAR ESTE PRODUCTO. El incumplimiento de estas instrucciones de seguridad podría resultar en DESCARGA ELÉCTRICA, EXPLOSIÓN o INCENDIO, que podrían causar LESIONES GRAVES, MUERTE o DAÑOS MATERIALES.



Descarga eléctrica. Este producto es un dispositivo eléctrico que puede producir descarga y causar lesiones graves. No corte los cables de alimentación. No lo sumerja en agua ni deje que se moje.



Explosión. Baterías sin supervisar, incompatibles o dañadas pueden explotar si se utilizan con este producto. No lo deje desatendido mientras está en uso. No intente cargar una batería dañada o congelada. Utilice este producto solo con baterías del voltaje recomendado. Uselo solo en áreas bien ventiladas.



Incendio. Este producto es un dispositivo eléctrico que emite calor y puede causar quemaduras. No cubra este producto. No fume ni utilice nada que pueda causar chispas o fuego mientras usa este producto. Manténgalo alejado de materiales combustibles.



Lesión ocular. Use protección ocular cuando utilice este producto. Las baterías pueden explotar y hacer que salgan disparadas pequeñas partículas. El ácido de la batería puede causar irritación en los ojos y la piel. En el caso de contaminación de los ojos o la piel, aclare el área afectada con abundante agua corriente y póngase en contacto inmediatamente con el servicio de control de intoxicación y envenenamiento.



Gases explosivos. Es peligroso trabajar cerca de baterías de ácido-plomo. Las baterías generan gases explosivos durante su funcionamiento normal. Para reducir el riesgo de explosión de la batería, siga todas las instrucciones de seguridad publicadas por el fabricante de la batería y el fabricante de cualquier equipo destinado a ser utilizado cerca de esta. Revise las señales de precaución en estos productos y en el motor.

Español

Para obtener más información y asistencia técnica consulte:

www.no.co/support

Advertencias importantes de seguridad

PRECAUCIÓN

El modo manual inhabilita todas las medidas de seguridad. Si se usa incorrectamente o en contra de nuestras recomendaciones, podría provocar lesiones o la muerte, quedando anulada la garantía. Existe riesgo de incendio, explosión y quemaduras. No lo desmonte, triture ni caliente por encima de 60 °C (140 °F), ni lo incinere. Este dispositivo está diseñado para su uso temporal en exteriores y se debe tener un cuidado razonable al utilizarlo en condiciones de humedad.

ADVERTENCIA

No sobrecargue la batería interna. Consulte el manual de instrucciones. No fume, encienda una cerilla ni provoque chispas en las proximidades de la fuente de alimentación. Cargue la batería interna solo en un área bien ventilada cuando no esté en funcionamiento.

PRECAUCIÓN

Riesgo de lesiones a las personas. No utilice este producto si el cable de alimentación o los cables de la batería están dañados de cualquier forma. Este dispositivo no está diseñado para su funcionamiento en instalaciones de reparación comerciales. Este dispositivo debe guardarse en interiores cuando no esté en funcionamiento. Es decir, no debe guardarse ni dejarse en el exterior.

Proposición 65. ADVERTENCIA: Este producto puede exponerle a químicos incluyendo plomo y gases de escape, que son conocidos por el Estado de California como causante (s) de cáncer y defectos de nacimiento u otros daños reproductivos. Para mayor información, visite www.P65Warnings.ca.gov. **Precaución.** Utilice este producto solo para el propósito para el que fue diseñado. Debería haber una persona lo suficientemente cerca como para oír su voz o acudir en su ayuda en caso de emergencia. Ponga agua limpia y jabón a su alcance por si tuviera que usarlos en caso de contaminación con el ácido de la batería. Use protección ocular completa y ropa protectora cuando trabaje cerca de una batería. Lávese siempre las manos después de manipular baterías y materiales relacionados. No use objetos metálicos cuando trabaje con baterías, incluidas herramientas, relojes o joyas. Si cae metal sobre la batería, pueden saltar chispas o producirse un cortocircuito que podría provocar descarga eléctrica, incendio, explosión y causar lesiones, muerte o daños materiales.

Menores de edad. Si el Comprador ha adquirido este producto para que lo use un menor de edad, el adulto que lo ha comprado se compromete a proporcionar instrucciones y advertencias detalladas al menor de edad antes de que este lo use. De no hacerlo, la responsabilidad recaerá únicamente sobre el Comprador, que se compromete a indemnizar a NOCO por el uso no intencionado o mal uso por parte de un menor de edad. **Peligro de asfixia.** Los accesorios pueden suponer riesgo de asfixia para niños pequeños. No deje que

un niño utilice este producto o cualquier otro accesorio sin la supervisión de un adulto. Este producto no es un juguete. **Manipulación.** Manipule este producto con cuidado. Este producto puede dañarse si recibe golpes. No utilice un producto dañado. Posibles daños incluyen, pero no se limitan a, grietas en el revestimiento o cables dañados. No utilice un producto que tenga un cable de alimentación dañado. La humedad y los líquidos pueden dañar este producto. No utilice este producto ni ningún componente eléctrico cerca de líquidos. Guarde y utilice este producto en un lugar seco. No lo utilice si se moja. Si este producto se moja estando en funcionamiento, desconéctelo de la batería y deje de usarlo inmediatamente. No desconecte este producto de la corriente tirando del cable de alimentación. Modificaciones. No intente alterar, modificar ni reparar ninguna de las partes de este producto. Desarmar este producto puede provocar lesiones, muerte o daños materiales. Si este producto se daña, funciona incorrectamente o entra en contacto con líquidos, deje de usarlo y contacte con NOCO. Cualquier modificación a este producto anulará su garantía. **Accesorios.** Este producto solo está aprobado para ser utilizado con accesorios de NOCO. NOCO no se responsabiliza de la seguridad del usuario u otros daños que pudieran producirse al utilizar accesorios no aprobados por NOCO. **Ubicación.** Evite que el ácido de la batería entre en contacto con este producto. No opere este producto en un área cerrada o con escasa ventilación. No coloque una batería encima de este producto. Coloque los cables de manera que se eviten daños accidentales al mover partes del vehículo (incluidos capós y puertas), piezas del motor (incluidas aspas de ventiladores, correas y poleas) o cualquier cosa que pudiera provocar tropiezos y causar lesiones o muerte. **Temperatura de funcionamiento.** Este producto está diseñado para funcionar a temperaturas ambiente de entre -20° C y 50° C. No lo haga funcionar fuera de estos intervalos de temperatura. No cargue una batería congelada. Deje de usar este producto inmediatamente si la batería se calienta demasiado. **Almacenamiento.** No utilice ni guarde este producto en áreas con altas concentraciones de polvo o partículas transportadas por el aire. Almacene este producto en superficies planas y seguras para evitar que se caiga. Guárdelo en un lugar seco. La temperatura de almacenamiento es de entre -20° C y 50° C (0° C to +40° C temperatura média). Bajo ninguna circunstancia deje que la temperatura supere los 80° C. **Compatibilidad.** El producto solo es compatible con sistemas de baterías de plomo-ácido de 12 voltios. No intente utilizar el producto con ningún otro tipo de batería. El arranque auxiliar con otros componentes químicos de la batería puede provocar lesiones, la muerte o daños materiales. Contacte con el fabricante de la batería antes de intentar realizar un arranque auxiliar. No realice un arranque auxiliar en una batería si no está seguro de la química o la tensión específicos de la batería. **Batería.** La batería de ión de litio (Li-ion) incorporada en este producto debe ser sustituida solamente por NOCO y debe ser reciclada o tirada aparte de los residuos domésticos. No intente sustituir la batería usted mismo. No manipule una batería Li-ion dañada o que sufra un escape. Nunca tire la batería a los residuos domésticos. Tirar las baterías a la basura doméstica contraviene las leyes y regulaciones medioambientales tanto estatales como federales. Lleve siempre las baterías usadas a su centro de reciclaje más cercano. Si la batería de este producto se calienta demasiado, desprende olor, está deformada, cortada o sufre o

demuestra anomalías, deje de usarla inmediatamente y contacte con NOCO. **Carga de la batería.** Cargue el producto con el cargador para coches de 12 V CC incluido o el cargador de pared XGC4. No utilice adaptadores de corriente genéricos ni externos, ya que presentan un riesgo eléctrico grave que puede provocar lesiones a personas, dispositivos y materiales. El uso de cables o cargadores dañados, o la carga si hay humedad presente, podría provocar una descarga eléctrica. NOCO no se hace responsable de la seguridad del usuario, de los daños al dispositivo ni de los daños materiales si se utilizan accesorios o fuentes de alimentación que no estén aprobados por NOCO. Cuando utilice el cargador de pared XGC4, asegúrese de que el enchufe de CA esté completamente insertado en el adaptador antes de enchufarlo a una toma de corriente. El adaptador de corriente podría calentarse durante el uso normal y el contacto prolongado con la piel podría provocar lesiones corporales. Aporte siempre una ventilación adecuada alrededor del adaptador de corriente mientras esté en uso. Para garantizar la máxima duración de la batería, evite cargar su producto durante más de una semana a la vez, ya que la sobrecarga podría acortar la vida útil de la batería. Con el tiempo, un producto no utilizado se descargará y deberá recargarse antes de su uso. Desconecte el producto de la corriente cuando no lo esté utilizando. Utilice el producto solo para los fines previstos. **Dispositivos médicos.** Este producto puede emitir campos electromagnéticos. Contiene componentes magnéticos que pueden interferir con marcapasos, desfibriladores u otros dispositivos médicos. Estos campos electromagnéticos pueden interferir con marcapasos u otros dispositivos médicos. Consulte con su médico antes de usar este producto si tiene un dispositivo médico, incluidos marcapasos. Si sospecha que este producto está interfiriendo con un dispositivo médico, deje de usarlo inmediatamente y consulte con su médico. **Enfermedades.** Si padece cualquier enfermedad que crea que pudiera verse afectada por este producto, consulte con su médico antes de usarlo. Dichas enfermedades incluyen, pero no se limitan a, ataques, desmayos, fatiga visual o dolores de cabeza. El uso de la linterna de alta potencia integrada conlleva un riesgo de sensibilidad a la luz. El uso de la luz en modo estroboscópico puede provocar ataques en personas con epilepsia fotosensible, que puede causar lesión grave o muerte. **Luz.** Mirar directamente al haz de luz puede provocar lesión ocular permanente. Este producto está provisto de una bombilla led de alta intensidad que emite una luz potente en el modo de luz más alto. **Limpieza.** Apague y desconecte este producto de la corriente antes de limpiarlo o llevar a cabo mantenimiento. Limpie y seque este producto inmediatamente si entra en contacto con líquidos o cualquier otro tipo de contaminante. Utilice un trapo suave sin pelusa (microfibra). Evite que los puertos o aberturas se mojen. **Atmósferas explosivas.** Obedezca todas las señales e instrucciones. No cargue ni utilice este producto en áreas con una atmósfera potencialmente explosiva, incluidas áreas de repostar o áreas en las que el aire contiene sustancias químicas o partículas como grano, polvo o polvo metálico. **Actividades de alto riesgo.** Este producto no está destinado para ser utilizado en casos en los que su mal funcionamiento pudiera causar la muerte, lesiones o daños medioambientales graves. **Interferencia de radiofrecuencia.** Este producto ha sido diseñado, probado y fabricado para cumplir con las normas que regulan las emisiones de radiofrecuencia. Tales emisiones del

producto pueden afectar al funcionamiento de otros aparatos electrónicos y hacer que funcionen incorrectamente. **Modelos: GB251.** Este dispositivo cumple con el artículo 15 de las normas de la Comisión Federal de Comunicaciones (FCC). La operación está sujeta a las dos condiciones siguientes: (1) Este dispositivo puede que no cause interferencias dañinas y (2) este dispositivo debe aceptar cualquier interferencia recibida, incluidas aquellas que puedan causar un funcionamiento no deseado. NOTA: Este equipo ha sido probado y se ha demostrado que cumple con los límites para un dispositivo digital de clase A, conforme al artículo 15 de las normas de la FCC. Estos límites están diseñados para proporcionar protección razonable contra interferencias dañinas en una instalación comercial. Este equipo genera, utiliza y puede irradiar energía de radiofrecuencia y, si no se instala o utiliza de acuerdo con las instrucciones, puede causar interferencias perjudiciales a las comunicaciones por radio. Puede que este equipo cause interferencias perjudiciales en un área residencial, en cuyo caso es posible que el usuario tenga que corregir la interferencia por su propia cuenta y riesgo.

Instrucciones de Uso

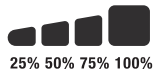
Primer paso: **Carga del GB251.**

El GB251 viene parcialmente cargado de fábrica y deberá cargarse por completo antes de su uso. Conecte el GB251, con el cargador de coche de 12 V CC incluido o el cargador de pared XGC4, al puerto 12V IN. El tiempo de recarga de un GB251 diferirá según el nivel de descarga y de la fuente de alimentación utilizada. Los resultados reales podrían variar según las condiciones de la batería y el nivel de descarga.

Al recargar la batería, el nivel de carga de la batería interna viene indicado por los ledes de carga. Los ledes se encenderán y apagarán lentamente y se volverán de color sólido hasta que los cuatro ledes de carga se enciendan. Cuando la batería esté totalmente cargada, el led de carga 100% se volverá verde sólido y los ledes de carga 25%, 50% y 75% se apagarán. De vez en cuando, el led verde de carga 100% se encenderá y apagará, indicando que se está realizando la carga de mantenimiento.

Tiempo de recarga:	Intensidad de corriente del cargador:
5hr	56W

Nivel de la batería interna.



Segundo paso: **Conexión a la batería.**

Lea y asegúrese de entender el manual del propietario del vehículo sobre precauciones específicas y métodos recomendados para arrancar de forma auxiliar el vehículo. Asegúrese de determinar la tensión y la química de la batería consultando el manual del propietario de la batería antes de usar este producto. El GB251 debe usarse solo con sistemas de baterías de plomo-ácido de 24 voltios de arranque auxiliar. Antes de conectar a la batería, compruebe que tenga un sistema de batería de plomo-ácido de 24 voltios. El GB251 no es adecuado para ningún otro tipo de batería. Identifique la polaridad correcta de los terminales de la batería. El terminal positivo de la batería suele estar marcado con estas letras o símbolos: POS, P o +. El terminal negativo de la batería suele estar marcado con estas letras o símbolos: NEG, N o -. No realice ninguna conexión al carburador, a las líneas de combustible ni a las piezas delgadas de chapa. Las siguientes instrucciones son para un sistema de puesta a tierra negativo (el más común). Si su vehículo es un sistema de puesta a tierra positivo (muy poco común), consulte las instrucciones para un arranque adecuado en el manual del vehículo.

1.) Conecte la pinza positiva (roja) de la batería al terminal positivo (POS, P o +) de esta y la pinza negativa (negra) al terminal negativo (NEG, N o -) o al chasis del vehículo.

Tercer paso: **Arranque.**

1.) Asegúrese de que todas las aplicaciones del vehículo que consumen energía (faros, radio, aire acondicionado, etc.) están apagadas antes de proceder al arranque del vehículo.

2.) Pulse el botón de encendido para comenzar el arranque y todos los LED parpadearán una vez. Si se ha conectado correctamente a la batería, el LED blanco de impulso se iluminará y los LED de carga de la batería irán a la par. Una cuenta atrás de 60 segundos comenzará tan pronto como se detecte una batería.

3.) Intente arrancar el vehículo. La mayoría de los vehículos arrancarán inmediatamente. Puede que en algunos vehículos sea necesario que el GB251 esté conectado hasta 30 segundos antes de arrancar. Si el vehículo no arranca en seguida, espere 20-30 segundos e inténtelo otra vez. No intente realizar más de cinco (5) arranques consecutivos en un periodo de quince (15) minutos. Deje que el GB251 descansa quince (15) minutos antes de intentar arrancar el vehículo otra vez.

4.) Una vez que haya arrancado el vehículo, desconecte los cables de arranque y retire el GB251.

Tiempo de espera de 60 segundos.

Se iniciará una cuenta atrás de 60 segundos tan pronto como se detecte una batería. Después de que hayan transcurrido los 60 segundos, la función de arranque auxiliar se desactivará. El LED de impulso se apagará y los LED de carga de la batería interna indicarán el nivel de carga actual de la unidad. Para restablecer la función de arranque auxiliar, pulse el botón de encendido para apagar la unidad. Pulse el botón de encendido nuevamente para encender la unidad y reinicie la función de arranque auxiliar.

ADVERTENCIA.

EL TIEMPO DE ESPERA DE 60 SEGUNDOS ESTARÁ DESHABILITADO MIENTRAS SE USA EL MODO DE ANULACIÓN MANUAL. SEGUIRÁ ALIMENTÁNDOSE CORRIENTE MIENTRAS LA ANULACIÓN MANUAL ESTÉ ACTIVA. PARA MAXIMIZAR EL NÚMERO DE ARRANQUES AUXILIARES, SE RECOMIENDA APAGAR LA UNIDAD DE IMPULSO TAN PRONTO COMO EL VEHICULO HAYA ARRANCADO.

Baterías de bajo voltaje y activación manual

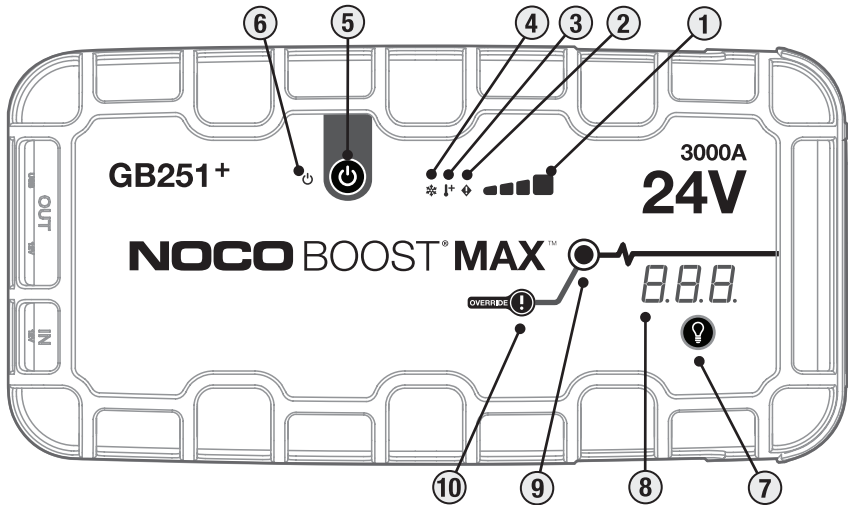
El GB251 está diseñado para arrancar con arranque auxiliar sistemas de baterías de plomo-ácido de 24 voltios hasta 2 voltios. Si su batería está por debajo de 2 voltios, el LED de impulso estará "apagado". Esta es una indicación de que el GB251 no logra detectar una batería. Si necesita realizar un arranque auxiliar de una batería por debajo de 2 voltios, existe una función de anulación manual que le permite forzar la función de arranque auxiliar. Si la batería está por debajo de 2 voltios, el LED de impulso se apagará y el voltímetro no mostrará tensión.

ADVERTENCIA.

UTILICE ESTE MODO CON MUCHO CUIDADO. ESTE MODO DEBE UTILIZARSE ÚNICAMENTE CON BATERÍAS DE ÁCIDO-PLOMO DE 24 V. LOS MECANISMOS ANTIDFLAGRANTES Y DE PROTECCIÓN CONTRA POLARIDAD INVERSA ESTÁN DESACTIVADOS EN ESTE MODO. PRESTE ATENCIÓN A LA POLARIDAD DE LA BATERÍA ANTES DE USAR ESTE MODO. NO DEJE QUE LOS CABLES DE ARRANQUE POSITIVO Y NEGATIVO SE TOQUEN ENTRE SÍ PORQUE EL PRODUCTO GENERARÁ CHISPAS. ESTE MODO UTILIZA CORRIENTE MUY ALTA (DE HASTA 3.000 AMPERIOS) QUE PUEDE CAUSAR CHISPAS Y MUCHO CALOR SI NO SE USA ADECUADAMENTE. SI NO ESTÁ SEGURO DE CÓMO USAR ESTE MODO, NO LO UTILICE Y PÓNGASE EN CONTACTO CON UN PROFESIONAL.

Alimentación de sus dispositivos USB y de 12 V.

El GB251 tiene (2) puertos USB-OUT y un puerto 12V-OUT (puerto de 12 V AUX/encendedor de cigarrillos). Conecte cualquier dispositivo USB estándar o dispositivo de 12 V (hasta 15 A) y encienda el GB251 para comenzar a alimentar sus dispositivos.



1.) Nivel de la batería interna. Indica el nivel de carga de la batería interna.

2.) Led de error. Se ilumina en rojo si se detecta polaridad inversa, o parpadea "encendido" y "apagado" en varias secuencias (de 1 a 6 parpadeos) para transmitir condiciones de error.

3.) Led de alta temperatura El led se vuelve de color rojo sólido; la unidad está operativa pero se acerca al límite de temperatura superior. Rojo intermitente; la unidad está demasiado caliente para arrancar, solo la linterna está disponible en este estado.

4.) Led de baja temperatura El led se vuelve de color azul sólido; la unidad está operativa pero se acerca al límite de temperatura inferior. Azul intermitente; la unidad está demasiado fría para arrancar, solo la linterna está disponible en este estado.

5.) Botón de encendido/apagado. Pulse para encender y apagar la unidad.

6.) Led de encendido/apagado. Se vuelve blanco cuando la unidad está encendida. Se iluminará en naranja después de la cuenta regresiva del tiempo de espera de 60 segundos hasta que se retiren las abrazaderas de la batería del automóvil o el GB251 se apague y se vuelva a encender.



7.) Botón de modo de luz. Permite alternar entre los siete modos de luz de la linterna led ultrabrillante: 100% > 50% > 10% > SOS > parpadeo > estroboscópico > apagado

8 . Voltímetro / temporizador de cuenta regresiva El voltímetro incorporado lee el voltaje de la batería del vehículo y permite realizar un diagnóstico detallado y localizar averías. El voltímetro lee automáticamente el voltaje de cualquier batería (o del sistema de batería) cuando los cables de arranque de la batería están conectados, incluso si la unidad está apagada. El voltímetro lee voltajes de entre ~3 V y ~30 V. Si el voltaje de la batería conectada es inferior a 3 V no se mostrará ninguna información. Si el voltaje es así de bajo es probable que haya una carga o variación en la batería, como las luces o el aire acondicionado, que deberán apagarse antes de proceder a arrancar el vehículo. Mientras la unidad está encendida y después de que se detecta una batería, el voltímetro mostrará la cuenta regresiva del tiempo de espera de 60 segundos.

9.) Led de arranque. Se vuelve blanco cuando el modo de arranque está activado. Si la unidad está conectada correctamente a una batería, el GB251 la detectará automáticamente y entrará en modo de arranque (el led parpadeará en blanco cuando el modo de activación manual esté conectado).

10.) Botón de activación manual. Para poner en marcha el modo de activación manual, mantenga pulsado el botón durante tres (3) segundos.
ADVERTENCIA: Desactiva los mecanismos de protección y fuerza el modo de arranque. Solo para usar cuando el voltaje de la batería es demasiado bajo para ser detectado.

Localización y resolución de averías

Error	Razón/Solución
Led de error: Rojo sólido	Polaridad inversa/Invierta las conexiones de la batería.
Led de error: Parpadeo rojo con los cables conectados correctamente	Cortocircuito detectado en las abrazaderas de la batería. / Haga que un profesional revise la batería.
Parpadeo único (1)	Cortocircuito detectado en las abrazaderas de la batería. / Retire todas las cargas y vuelva a conectar las abrazaderas a la batería.
 Doble (2) Flash	Alto voltaje detectado en las pinzas (el GB251 está conectado a un sistema de voltaje superior a 24 V).
Flash cuádruple (4)	Error de tiempo de espera de carga (es decir, el GB251 ha estado en carga masiva durante demasiado tiempo)
Quintuple (5) Flash	Exceso de corriente en XGC OUT (es decir, se extraen más de 15 amperios del puerto XGC OUT)
Sextuple (6) Flash	Fallo del BMS (sistema de gestión de la batería). (Encienda y apague GB251 nuevamente para borrarlo. Si el problema persiste, comuníquese con el servicio de atención al cliente)
Led de alta temperatura: Led sólido	La unidad está operativa pero se acerca al límite de temperatura superior. / Deje que la unidad se enfríe.
 Led de alta temperatura: Intermitente	La unidad está demasiado caliente para arrancar, solo la linterna está disponible en este estado. / Deje que la unidad se enfríe.
Led de alta temperatura: Parpadea y después todos los ledes se apagan	La unidad está demasiado caliente para realizar el arranque o utilizar otras funciones. / Deje que la unidad se enfríe y llévela a un lugar más fresco.

❄️	Led de baja temperatura: Led sólido	La unidad está operativa pero se acerca al límite de temperatura inferior. / Deje que la unidad se caliente.
	Led de baja temperatura: Intermitente	La unidad está demasiado fría para arrancar, solo la linterna está disponible en este estado / Permita que la unidad se caliente.
	Led de baja temperatura: Parpadea y después todos los ledes se apagan	La unidad está demasiado fría para realizar el arranque o utilizar otras funciones. / Deje que la unidad se caliente y llévela a un lugar más cálido.
	La luz de arranque no se enciende con los cables conectados correctamente	El voltaje de la batería conectada es inferior a 3 voltios/Quite todas las cargas e inténtelo otra vez, o use el modo de activación manual.

Especificaciones técnicas

Batería interna: 137Wh Ión de litio	12V (entrada): 12V/5A (14V Max)
Corriente máxima: 3000A	12V (salida): 12V, 15V Max
Temperatura de funcionamiento: -20° C to +50° C	Protección de la cubierta: IP65 (con puertos cerrados)
Temperatura de carga: 0° C to +40° C	Enfriamiento: Convección natural
Temperatura de almacenamiento: -20° C to +50° C (Temperatura media)	Dimensiones (largo x ancho x alto): 31,75 x 20,83 x 3,39 Centímetros
USB (salida): 5V, 2.1A	Peso: 6,19 kilogramos (13,65 lb)

Garantía limitada de un (1) año de NOCO

The NOCO Company ("NOCO") garantiza que este producto (el "Producto") está libre de defectos de materiales y mano de obra por un periodo de un (1) año desde la fecha de compra (el "Periodo de garantía"). En el caso de los defectos que se comuniquen durante el Periodo de garantía, NOCO, según su criterio y en función del análisis del departamento de soporte técnico de NOCO, reparará o sustituirá los Productos defectuosos. Las piezas y los productos de recambio serán nuevos o reacondicionados, y su función y rendimiento serán comparable a los de la pieza original y estarán garantizados durante el resto del Periodo de garantía original.

LA RESPONSABILIDAD DE NOCO BAJO ESTA GARANTÍA LIMITADA SE CIRCUNSCRIBE EXPRESAMENTE A REEMPLAZO O REPARACIÓN. HASTA DONDE LO PERMITA LA LEY, NOCO NO SE RESPONSABILIZARÁ, NI ANTE CUALQUIER COMPRADOR DEL PRODUCTO NI ANTE TERCERAS PARTES, DE GASTOS, DAÑOS O PÉRDIDAS DE NINGUNA CLASE, YA SEAN ESTOS IMPREVISTOS, INDIRECTOS O ESPECIALES, INCLUYENDO, SIN LIMITACIÓN, LA PÉRDIDA DE BENEFICIOS, DAÑOS A LA PROPIEDAD O LESIONES PERSONALES, COMOQUIERA QUE HAYAN SIDO CAUSADOS, INCLUSO SI NOCO TUVIERA CONOCIMIENTO DE LA POSIBILIDAD DE DICHS DAÑOS. LA GARANTÍA LIMITADA AQUÍ ESTABLECIDA SUSTITUYE Y EXCLUYE AL RESTO DE GARANTÍAS QUE NO SE MENCIONEN EN ESTE DOCUMENTO, YA SEA DE FORMA EXPRESA O IMPLÍCITA POR LEY O POR OTROS MEDIOS, INCLUYENDO CUALQUIER GARANTÍA IMPLÍCITA DE COMERCIABILIDAD O IDONEIDAD PARA UN PROPÓSITO PARTICULAR PERO SIN LIMITARSE A ELLA, Y AQUELLAS QUE SURJAN DE LAS ACTIVIDADES DE VENTA, USO O COMERCIO. EN EL CASO DE QUE CUALQUIER LEY APLICABLE IMPONGA GARANTÍAS, CONDICIONES U OBLIGACIONES QUE NO PUEDEN SER EXCLUIDAS O MODIFICADAS, ESTE PÁRRAFO SE APLICARÁ HASTA DONDE LO PERMITA LA LEY.

Esta garantía limitada se hace únicamente para beneficio del comprador original del Producto de NOCO o un vendedor o distribuidor autorizado por NOCO y se extiende ni puede transferirse a ninguna otra persona o entidad. Para validar una reclamación de garantía, el comprador debe: (1) solicitar y obtener un número de autorización de devolución de mercancía (RMA) e información sobre el lugar de devolución ("Lugar de devolución") del departamento de soporte técnico de NOCO escribiendo a support@no.co o llamando al 1.800.456.6626; y (2) enviar el producto, junto con el número de autorización de devolución de mercancía, la prueba de compra o una tarifa de garantía (solo será necesario abonar una tarifa si no se dispone del recibo de compra) del 45% del precio de venta al público recomendado (la "Tarifa de garantía") [El número de autorización de devolución de mercancía incluirá el importe de la tarifa de garantía aplicable] al Lugar de devolución. **NO ENVÍE EL PRODUCTO SIN OBTENER PRIMERO UN NÚMERO DE AUTORIZACIÓN DE DEVOLUCIÓN DE MERCANCÍA DEL DEPARTAMENTO DE SOPORTE TÉCNICO DE NOCO.**

EL COMPRADOR SE RESPONSABILIZA (Y DEBE ABONAR POR ADELANTADO) TODOS LOS GASTOS DE EMBALAJE Y TRANSPORTE PARA HACER USO DEL SERVICIO DE GARANTÍA.

A PESAR DE LO ANTERIOR, ESTA GARANTÍA LIMITADA QUEDARÁ ANULADA Y NO CUBRE PRODUCTOS QUE: (a) se han usado indebidamente, manipulado de forma imprudente, almacenado indebidamente, o expuesto a accidente o condiciones de temperatura o voltaje extremas, golpes o vibración sin acatar las recomendaciones de NOCO para su uso seguro y eficaz; (b) se han instalado, operado o mantenido indebidamente; (c) se han modificado sin el consentimiento expreso por escrito de NOCO; (d) se han desmontado, alterado o reparado por cualquier persona ajena a NOCO; (e) cuyos defectos se han comunicado después del Periodo de garantía.

ESTA GARANTÍA LIMITADA NO CUBRE: (1) desgaste normal por uso; (2) daños cosméticos que no afectan al funcionamiento; o (3) productos en los que falta el número de serie de NOCO o este ha sido alterado o desfigurado.

CONDICIONES DE LA GARANTÍA SIN COMPLICACIONES

Estas condiciones se aplican solo al producto durante el período de garantía. La garantía sin complicaciones es nula, ya sea por el tiempo transcurrido desde la fecha de compra (tiempo transcurrido desde la fecha del número de serie, si no existe una prueba de compra) o por las condiciones citadas anteriormente en este documento. Devuelva el producto con la documentación correspondiente.

Con el recibo:

1 año: SIN cargo. Con el comprobante de compra, el período de garantía comienza a partir de la fecha de compra

SIN recibo:

1 año: SIN cargo. SIN comprobante de compra, el período de garantía comienza a partir de la fecha del número de serie.

Puede registrar su producto NOCO en línea en: no.co/register. Si tiene alguna pregunta acerca de la garantía o el producto, póngase en contacto con el departamento de soporte técnico de NOCO (en el correo electrónico y número de teléfono que aparecen anteriormente) o escribir a: The NOCO Company, 30339 Diamond Parkway, #102, Glenwillow, OH 44139 USA.

NOCO BOOST[®] MAX[™] GB251+



PERIGO

Guia do usuário e garantia



LEIA E COMPREENDA COMPLETAMENTE AS INFORMAÇÕES DE SEGURANÇA ANTES DE USAR ESTE PRODUTO. A falha em obedecer estas instruções de segurança pode resultar em CHOQUE ELÉTRICO, EXPLOSAO E INCENDIO, o que pode provocar em LESÕES GRAVES, MORTE ou DANOS À PROPRIEDADE.



Choque elétrico. O produto é um dispositivo elétrico que pode causar choques e ferimentos graves. Não corte os cabos de alimentação. Não mergulhe em água nem molhe o produto.



Explosão. As baterias não monitoradas, incompatíveis ou danificadas podem explodir se usadas com o produto. Não deixe o produto sem vigilância enquanto estiver em uso. Não tente dar partida auxiliada numa bateria danificada ou congelada. Use o produto apenas com baterias da tensão recomendada. Opere o produto em áreas bem ventiladas.



Incêndio. O produto é um dispositivo elétrico que emite calor e é capaz de causar queimaduras. Não cubra o produto. Não fume ou use qualquer fonte de faísca elétrica ou de fogo enquanto estiver operando o produto. Mantenha o produto afastado de materiais combustíveis.



Lesões oculares. Use proteção para os olhos ao operar o produto. As baterias podem explodir e lançar detritos. O ácido da bateria pode causar irritação nos olhos e na pele. Em caso de contaminação dos olhos ou da pele, lave a área afetada com água corrente e entre em contato com o centro de controle de envenenamento imediatamente.



Gases explosivos. Trabalhar perto de uma bateria de chumbo-ácido é perigoso. As baterias geram gases explosivos durante a sua operação normal. Para reduzir o risco de explosão da bateria, siga todas as instruções de segurança e as informações publicadas pela fabricante da bateria e pela fabricante de qualquer equipamento destinado ao uso nas proximidades da bateria. Leia atentamente as precauções nesses produtos e no motor.

Português

Para obter mais informações e suporte, acesse:

www.no.co/support

Avisos de segurança importantes

CUIDADO

O Modo Manual desativa todas as medidas de segurança. Se usado de forma inadequada e/ou contra o uso recomendado, poderá causar ferimentos ou morte e anulará sua garantia. Risco de incêndio, explosão e queimadura. Não desmonte, quebre, aqueça acima de 60 °C (140 °F) ou incinere. O dispositivo foi projetado para uso temporário ao ar livre e deve-se ter as devidas precauções ao usar o dispositivo em condições de umidade.

AVISO

Não sobrecarregue a bateria interna. Consulte o Manual de Instruções. Não fume, acenda um fósforo nem provoque faíscas próximo à fonte de alimentação. Carregue a bateria interna somente em área bem ventilada quando não estiver em uso.

CUIDADO

Risco de Ferimentos Às Pessoas. Não use este produto se o cabo de alimentação ou os cabos da bateria estiverem danificados. Este dispositivo não se destina ao uso em instalações de reparo comercial. Este dispositivo deve ser armazenado em ambiente interno quando não estiver em uso. Este dispositivo não deve ser armazenado nem deixado ao ar livre quando não estiver em uso.

Proposição 65. Os polos, terminais e acessórios relacionados da bateria contêm produtos químicos, incluindo chumbo. Esses materiais são reconhecidos pelo estado da Califórnia como causadores de câncer e defeitos congênitos, bem como outros danos reprodutivos.

Precauções pessoais. Use o produto apenas para o fim pretendido. Alguém deve estar ao alcance da sua voz ou perto o suficiente para ajudar em caso de emergência. Tenha a água limpa e sabão nas proximidades no caso de contaminação pelo ácido da bateria. Use proteção completa para os olhos e roupas de proteção enquanto estiver trabalhando perto de uma bateria. Sempre lave as mãos depois de manusear baterias e materiais relacionados. Não manuseie nem use objetos metálicos enquanto estiver trabalhando com baterias, incluindo; ferramentas, relógios e joias. Se o metal cair na bateria, pode provocar uma faísca ou criar um curto-circuito, resultando em choque elétrico, incêndio ou explosão que pode resultar em ferimentos, morte ou danos à propriedade. **Menores de idade.** Se o "Comprador" pretende que o produto seja utilizado por um menor, o adulto comprador concorda em fornecer instruções detalhadas e avisos para o menor antes do uso. A falha em fazer isso é da exclusiva responsabilidade do "Comprador", que concorda em indenizar a NOCO por qualquer uso acidental ou indevido por um menor. **Risco de asfixia.** Os acessórios podem apresentar risco de asfixia para crianças. Não deixe crianças desacompanhadas com o produto ou qualquer acessório. O produto não é brinquedo. **Manuseio.** Manuseie o produto com cuidado. Em caso de impacto o produto pode ser danificado. Não use um produto danificado, incluindo, mas não se limitando a rachaduras na superfície

ou cabos danificados. Não use o produto com um cabo de alimentação danificado. A umidade e os líquidos podem danificar o produto. Não manipule produtos ou componentes elétricos perto de qualquer líquido. Armazene e opere o produto em locais secos. Não opere o produto se estiver molhado. Se o produto já estiver funcionando e ficar molhado, desconecte-o da bateria e interrompa o uso imediatamente. Não desligue o produto puxando os cabos. **Modificações.** Não tente alterar, modificar ou consertar qualquer parte do produto. Desmontar o produto pode causar lesões, morte ou danos à propriedade. Se o produto for danificado, apresentar avarias ou entrar em contato com qualquer líquido, interrompa o uso e entre em contato com a NOCO. Qualquer modificação no produto anulará sua garantia. **Acessórios.** Este produto só tem aprovação para o uso com acessórios da NOCO. A NOCO não é responsável pela segurança ou por danos do usuário quando este usar acessórios não aprovados pela NOCO. **Localização.** Evite que o ácido da bateria entre em contato com o produto. Não opere o produto em uma área fechada ou numa área com ventilação restrita. Não coloque a bateria encima do produto. Posicione os cabos de modo a evitar danos acidentais, movendo as peças do veículo (incluindo capôs e portas), movendo as peças do motor (incluindo as lâminas do ventilador, correias e polias), ou o que possa trazer perigo de lesões ou morte. **Temperatura operacional.** Este produto é projetado para funcionar em temperatura ambiente entre -20° C a 50° C. Não opere fora desta amplitude de temperatura. Não faça a partida auxiliada de uma bateria congelada. Interrompa o uso do produto imediatamente se a bateria ficar excessivamente quente. **Armazenamento.** Não use nem armazene o produto em áreas com altas concentrações de poeira ou de partículas aéreas. Armazene o seu produto em superfícies planas e seguras de modo que não esteja propenso a quedas. Armazene o produto em um local seco. A temperatura de armazenamento é de -20° C a 50° C (0° C a +40° C temperatura média). Nunca exceda 80° C sob nenhuma circunstância. **Compatibilidade.** O produto é compatível apenas com sistemas de bateria chumbo-ácida de 12 Volts. Não tente utilizar o produto com outro tipo de bateria. Realizar a partida auxiliar com baterias que usam compostos químicos diferentes pode resultar em ferimentos, morte ou danos ao material. Entre em contato com o fabricante da bateria antes de tentar realizar a partida auxiliar. Não utilize uma bateria para realizar a partida auxiliar se não tiver certeza da composição química ou tensão específica dela. **A Bateria.** A bateria de íons de lítio integrada ao produto deve ser substituída apenas pela NOCO e deve ser reciclada ou descartada separadamente do lixo doméstico. Não tente substituir a bateria sozinho e não manuseie uma bateria de íons de lítio danificada ou com vazamento. Nunca descarte a bateria no lixo doméstico. A eliminação de baterias no lixo doméstico é ilegal de acordo com as leis e regulamentos ambientais estaduais e federais. Sempre leve as baterias usadas ao seu centro local de reciclagem de baterias. Se a bateria do produto estiver excessivamente quente, emitindo um odor, deformada, cortada ou demonstrando um funcionamento, pare imediatamente o uso e entre em contato com a NOCO. **Recarga da bateria.** Carregue o produto com o carregador veicular CC de 12V incluso ou com o carregador de parede XGC4. Não utilize adaptadores de energia genéricos ou de terceiros, pois eles podem apresentar um sério risco elétrico com a possibilidade de resultar em danos à pessoa, ao aparelho e à propriedade. Utilizar cabos ou carregadores danificados ou realizar o carregamento em presença de umidade pode resultar em choque elétrico. A NOCO não é responsável pela segurança do usuário, por danos ao aparelho ou por danos à propriedade quando são utilizados acessórios ou fontes de alimentação não aprovados pela NOCO. Ao utilizar o carregador de parede XGC4, certifique-se de que o plugue CA esteja completamente inserido no adaptador antes de ligá-lo à tomada. O adaptador de energia pode

esquentar durante o uso normal, e um contato prolongado com a pele pode resultar em danos corporais. Sempre permita uma ventilação adequada ao redor do adaptador durante o uso. Para garantir o máximo de vida útil da bateria, evite carregar seu produto por mais de uma semana por vez, pois o carregamento em excesso pode encurtar a vida útil da bateria. Com o tempo, um produto não utilizado se descarregará e precisará ser recarregado antes do uso. Desconecte o produto de fontes de alimentação quando não estiver em uso. Use o produto apenas para o propósito a que se destina. **Dispositivos médicos.** O produto pode emitir campos eletromagnéticos. O produto contém componentes magnéticos que podem interferir em marca-passos, desfibriladores ou outros dispositivos médicos. Esses campos eletromagnéticos causar interferência em marca-passos ou em outros dispositivos médicos. Consulte o seu médico antes de usar se você tiver algum dispositivo médico, incluindo marca-passos. Se você suspeita que o produto está interferindo em um dispositivo médico, pare de usar o produto imediatamente e consulte seu médico. **Condições médicas.** Se você tem alguma condição médica que acredita que pode ser afetada pelo produto, incluindo, mas não se limitando a convulsões, apagões, fadiga ocular ou dores de cabeça, consulte seu médico antes do uso do produto. O uso de uma lanterna de alta potência integrada oferece risco para pessoas com sensibilidade à luz. O uso da luz no modo estroboscópico pode causar convulsões em pessoas com epilepsia fotossensível, o que pode resultar em ferimentos graves ou mesmo em morte. **Luz.** Olhar diretamente para a lanterna pode resultar em lesões oculares permanentes. O produto está equipado com uma lâmpada pré-focada de LED de alto desempenho que emite um feixe poderoso na configuração mais alta. **Limpeza.** Desligue o produto antes de qualquer manutenção ou limpeza. Limpe e seque o produto imediatamente se entrar em contato com líquidos ou qualquer tipo de contaminante. Use um pano macio e sem fiapos (microfibra). Evite a umidade nas aberturas. **Atmosferas explosivas.** Obedeça todos os sinais e instruções. Não opere o produto em qualquer área com uma atmosfera potencialmente explosiva, incluindo áreas de abastecimento de combustíveis ou áreas que contenham produtos químicos ou partículas como grãos, poeiras ou pós metálicos. **Atividades com enormes consequências.** Este produto não se destina ao uso onde a falha do produto possa levar a lesões, mortes ou danos ambientais graves. **Interferência de radiofrequência.** O produto foi projetado, testado e fabricado de acordo com as normas que regulam as emissões de radiofrequência. Tais emissões do produto podem afetar negativamente a operação de outros equipamentos eletrônicos, fazendo com que eles funcionem mal. **Número do modelo: GB251** Este dispositivo cumpre com a Parte 15 das Regras da FCC (Federal Communications Commission). Sua operação está sujeita às duas condições seguintes: (1) este dispositivo não deve causar interferência prejudicial e (2) este dispositivo deve aceitar qualquer interferência recebida, inclusive interferências que possam resultar em mau funcionamento. OBS.: Este equipamento foi testado e está em conformidade com os limites para um dispositivo digital de Classe A, de acordo com a Parte 15 das Regras da FCC. Esses limites são projetados para fornecer proteção razoável contra interferências prejudiciais quando o equipamento é operado em um ambiente comercial. Este equipamento gera, usa e pode irradiar energia de radiofrequência e, se não for instalado e usado de acordo com o manual de instruções, pode causar interferência prejudicial às comunicações de rádio. A operação deste equipamento em uma área residencial provavelmente causará interferência prejudicial, caso em que o usuário será obrigado a corrigir a interferência às suas próprias custas.

Como usar

Etapa 1: **Recarregue o GB251.**

O GB251 já vem parcialmente carregado na caixa, mas precisa ser totalmente carregado antes do uso. Conecte o GB251 usando o carregador veicular CC de 12V incluso, ou o carregador de parede XGC4, na entrada de 12V. O tempo de recarga do GB251 variará com base no nível de descarga e na fonte de alimentação usada. Os resultados reais podem variar devido às condições da bateria e níveis de descarga.

Ao recarregar, o nível de carga da bateria interna é indicado pelos LEDs de recarga. Os LEDs pulsam lentamente e se tornam constantes na cor até que os quatro LEDs de recarga estejam acesos. Quando a bateria estiver totalmente recarregada, o LED verde 100% ficará constante e os LEDs de recarga de 25%, 50% e 75% "desligam". De vez em quando, o LED verde de 100% pulsará indicando que a recarga de manutenção está ocorrendo.

Etapa 2: **Conecte à bateria.**

Leia cuidadosamente e certifique-se de ter entendido o manual do usuário do veículo sobre precauções específicas e métodos recomendados para realizar a partida auxiliar no veículo. Certifique-se de determinar a tensão e a composição química da bateria consultando o manual do usuário da bateria antes de utilizar este produto. O GB251 deve ser usado como auxiliar de partida somente em sistemas de bateria chumbo-ácida de 24 Volts. Antes de conectar o produto à bateria, verifique se você possui um sistema de bateria chumbo-ácida de 24 Volts. O GB251 não é indicado para nenhum outro tipo de bateria. Identifique a polaridade correta dos terminais na bateria. O terminal positivo da bateria costuma ser marcado com estas letras ou símbolos (POS,P,+). O terminal negativo da bateria costuma ser marcado com estas letras ou símbolos (NEG,N,-). Não ligue ao carburador, às linhas de combustível ou a partes metálicas finas. As instruções abaixo são indicadas para um sistema de aterramento negativo (o mais comum). Se o seu veículo possui um sistema de aterramento positivo (muito incomum), consulte o manual do veículo para conhecer as instruções adequadas de partida auxiliar.

1.) Prenda o grampo de bateria positivo (vermelho) ao terminal positivo (POS, P, +) da bateria e o grampo de bateria negativo (preto) ao

Tempo de recarga:	Classificação do carregador:
5hr	56W

Nível da bateria interna



25% 50% 75% 100%

terminal negativo (NEG, N, -) da bateria ou ao chassi do veículo.

Etapa 3: **Partida auxiliada.**

- 1.)** Certifique-se de todas as cargas de energia do veículo (faróis, rádio, ar-condicionado, etc.) estejam desligadas antes de tentar a partida auxiliada do veículo.
- 2.)** Pressione o botão de energia para realizar a partida auxiliar e todos os LEDs piscarão uma vez. Se o produto estiver adequadamente conectado à bateria, o LED branco de partida se iluminará, seguido pelos LEDs de carregamento da bateria. Uma contagem regressiva de 60 segundos se iniciará assim que uma bateria for detectada.
- 3.)** Tente dar partida no veículo. Na maioria dos veículos a partida ocorre de imediato. Alguns veículos podem exigir que o GB251 seja conectado por até 30 segundos antes da partida. Se o veículo não arrancar imediatamente, espere de 20 a 30 segundos e tente novamente. Não tente mais do que cinco (5) partidas auxiliadas consecutivas dentro de um período de quinze (15) minutos. Deixe o GB251 descansar por quinze (15) minutos antes de tentar dar a partida auxiliada no veículo novamente.
- 4.)** Depois de dar partida em seu veículo, desconecte as pinças da bateria e remova o GB251.

Tempo Limite de 60 Segundos.

Uma Contagem Regressiva de 60 segundos será iniciada assim que a bateria for detectada. Após 60 segundos, a função de partida assistida será desativada. O LED do auxiliar se apagará e os LEDs de carga da bateria interna indicarão o atual nível de carga da unidade. Para reiniciar a função de partida assistida, pressione o botão de energia para desligar a unidade. Pressione o botão de energia novamente para ligar a unidade e reiniciar a função de partida assistida.

PRECAUÇÃO

O TEMPO LIMITE DE 60 SEGUNDOS É DESATIVADO AO USAR O MODO DE ATIVAÇÃO MANUAL. A ALIMENTAÇÃO CONTINUARÁ SENDO FORNECIDA ENQUANTO A ATIVAÇÃO MANUAL ESTIVER ATIVA. PARA MAXIMIZAR O NÚMERO DE PARTIDAS ASSISTIDAS, RECOMENDA-

SE DESLIGAR A UNIDADE AUXILIAR ASSIM QUE O VEÍCULO DER PARTIDA.

Baterias de baixa tensão e acionamento manual

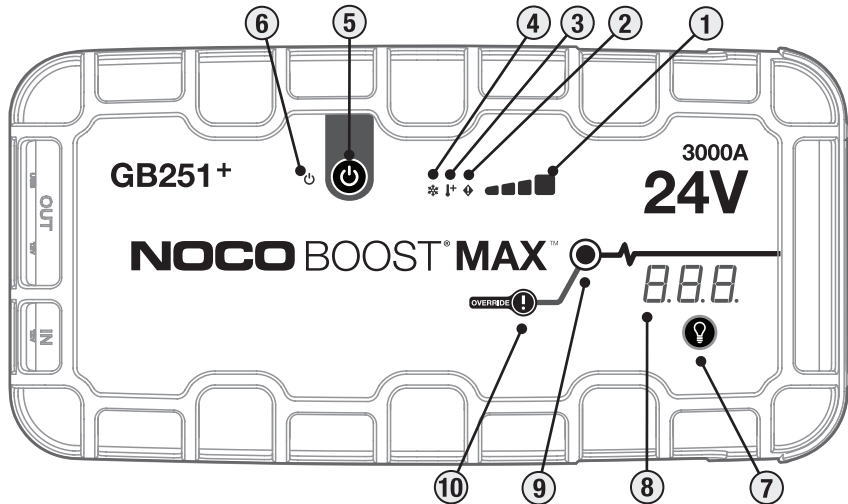
O GB251 é utilizado para realizar a partida auxiliar em sistemas de bateria chumbo-ácida de 24 Volts até 2 Volts. Se a sua bateria possuir menos de 2 Volts, o LED de partida permanecerá desligado. Isso indica que o GB251 não consegue detectar a bateria. Se você precisar realizar a partida auxiliar em uma bateria com menos de 2 Volts, existe um recurso de controle manual que permite que você force a função “ligado” do produto. Se a bateria possuir menos de 2 Volts, o LED de partida ficará desligado e o voltímetro não mostrará a tensão.

PRECAUÇÃO

USE ESTE MODO COM EXTREMO CUIDADO. ESTE MODO É INDICADO APENAS PARA SISTEMAS DE BATERIA CHUMBO-ÁCIDA DE 24 VOLTS. TANTO O SUPRESSOR DE FAÍSCAS QUANTO A PROTEÇÃO CONTRA POLARIDADE INVERSA SÃO DESATIVADOS. PRESTE MUITA ATENÇÃO À POLARIDADE DA BATERIA ANTES DE UTILIZAR ESTE MODO. NÃO PERMITA QUE OS GRAMPOS POSITIVO E NEGATIVO DA BATERIA SE TOQUEM OU SE CONECTEM UM AO OUTRO, POIS O PRODUTO GERARÁ FAÍSCAS. ESSE MODO USA UMA CORRENTE MUITO ALTA (ATÉ 3000 A), QUE PODE GERAR FAÍSCAS E MUITO CALOR SE NÃO FOR USADO ADEQUADAMENTE. SE VOCÊ NÃO TIVER CERTEZA SOBRE A UTILIZAÇÃO DESTES MODO, NÃO ARRISQUE. BUSQUE AJUDA PROFISSIONAL.

Ligando seus dispositivos USB e de 12V.

O GB251 possui duas (2) portas USB-OUT e uma saída 12V-OUT (12V AUX/acendedor de cigarro). Conecte qualquer dispositivo USB ou de 12V (até 15A) e ligue o GB251 para começar a carregar seus aparelhos.



Interface

1.) Nível da bateria interna Indica o nível de carga da bateria interna.

2.) LED de erro Acende em vermelho se a polaridade reversa for detectada ou pisca "aceso" e "apagado" em várias sequências (de 1 a 6 piscadas) para indicar condições de erro.

3.) LED quente se acende em vermelho; a unidade está funcionando plenamente, mas está alcançando a temperatura limite. Vermelho piscando; a unidade está muito quente para iniciar, apenas a lanterna está disponível neste estado.

4.) LED frio acende em azul; a unidade está funcionando normalmente, mas está alcançando a temperatura abaixo do limite. Azul intermitente; a unidade está muito fria para iniciar, somente a lanterna está disponível neste estado.

5.) Botão "Power" Pressione para "ligar" e "desligar" a unidade.

6.) LED "Power" Acende em branco quando a unidade está "ligada". Acenderá em laranja após a contagem regressiva do tempo limite de 60 segundos até que os grampos sejam removidos da bateria do carro ou o GB251 seja desligado e ligado novamente.

7.) Botão de modo de iluminação Alterna a luz do LED de ultrabrilho dentre 7 modos de iluminação: 100% > 50% > 10% > SOS > Pisca > Iluminação estroboscópica > Desligado



8. Voltímetro / temporizador de contagem regressiva O voltímetro integrado lê a tensão da bateria do veículo para diagnósticos aprimorados e solução de problemas. O voltímetro lê automaticamente a tensão de qualquer bateria (ou sistema de bateria) quando as pinças da bateria estiverem conectadas, mesmo que a unidade esteja desligada. O voltímetro lerá tensões entre ~3 V e ~30 V. Se a bateria conectada estiver abaixo de 3 V, nada será exibido. Se a tensão for baixa, provavelmente haverá carga na bateria, como faróis ou ventilador de ar-condicionado, que deve ser desligado antes de tentar dar a partida no veículo. Enquanto a unidade estiver ligada e depois que a bateria for detectada, o voltímetro exibirá a contagem regressiva do tempo limite de 60 segundos.

9.) LED Boost Acende em branco quando o modo Boost (elevação de tensão) está ativo. Se a unidade estiver conectada corretamente a uma bateria, o GB251 detectará automaticamente uma bateria e entrará no modo Boost (o LED pisca em branco quando o recurso de acionamento manual está ativo).

10.) Botão Manual Override (acionamento manual) Para ativar pressione e segure por três (3) segundos. **ADVERTÊNCIA: Desativa a proteção de segurança e força manualmente a ativação do modo Boost. Somente para uso quando a tensão da bateria é muito baixa para ser detectada.**

Solução de problemas

PT

Erro	Razão/solução
LED de erro: Vermelho	Polaridade inversa/Inverte as conexões da bateria.
LED de erro: Vermelho piscando com os cabos conectados adequadamente	Curto-Circuito Detectado nos grampos da bateria. / Solicite a verificação da bateria por um profissional.
 Piscada Única (1)	Curto-Circuito Detectado nos grampos da bateria. / Remova todas as cargas, reconecte os grampos à bateria.
Flash duplo (2)	Alta tensão detectada nas pinças (o GB251 está conectado a um sistema de tensão maior que 24 V).
Flash quádruplo (4)	Erro de tempo limite de carga (ou seja, o GB251 está em carga em massa há muito tempo)
Flash quádruplo (5)	XGC OUT sobre corrente (ou seja, mais de 15 amperes estão sendo extraídos da porta XGC OUT)
Sêxtuplo (6) Flash	Falha do BMS (Sistema de gerenciamento de bateria). (Desligue o GB251 e ligue-o novamente para limpar. Se o problema persistir, entre em contato com o Suporte ao Cliente)
LED quente: aceso	A unidade está funcionando normalmente, mas está alcançando a temperatura limite. / Espere a unidade esfriar.
 LED quente: piscando	A unidade está muito quente para iniciar, apenas a lanterna está disponível neste estado. / Deixe a unidade esfriar.
LED quente: pisca e então todos os LEDs são desligados	A unidade está muito quente para a partida auxiliada ou para usar outras funções. / Espere a unidade esfriar e a leve para um ambiente mais fresco.

❄️	LED frio: aceso	A unidade está funcionando plenamente, mas está alcançando a temperatura abaixo do limite. / Espere a unidade aquecer.
	LED frio: piscando	A unidade está muito fria para iniciar, apenas a lanterna está disponível neste estado / Permita que a unidade aqueça.
	LED frio: pisca e então todos os LEDs são desligados	A unidade está muito fria para a partida auxiliada ou para usar outras funções. / Espere a unidade aquecer e a leve para um ambiente mais quente.
	A luz do Boost não vem ligada com os cabos conectados adequadamente	A bateria conectada está abaixo de 3 volts/Remova todas as cargas e tente novamente ou use o modo de acionamento manual.

Especificações técnicas

Bateria interna: 137Wh Íons de lítio	12V (entrada): 12V/5A (14V Max)
Corrente nominal de pico: 3000A	12V (saída): 12V, 15V Max
Temperatura operacional: -20°C a +50°C	Proteção da caixa: IP65 (com as portas fechadas)
Temperatura de recarga: 0°C a +40°C	Arrefecimento: Convecção natural
Temperatura de armazenamento: -20°C a +50°C (temp. média)	Dimensões (C x L x A): 31,75 x 20,83 x 3,39 Centímetros
USB (saída): 5 V, 2.1 A	Peso: 6,19 quilogramas (13,65 lb)

NOCO um (1) ano de garantia limitada

A NOCO Company ("NOCO") garante que este produto (o "Produto") estará livre de defeitos de material e de mão de obra por um período de um (1) ano a partir da data da compra (o "Período de Garantia"). Em caso de defeitos reportados durante o Período de Garantia, a NOCO, a seu critério exclusivo, e sujeita à análise da equipe suporte técnico da NOCO, reparará ou substituirá produtos defeituosos.

As peças e os produtos de substituição serão novos ou usados porém funcionais, comparáveis em função e desempenho com a peça original e com garantia até o restante do período de garantia original.

A RESPONSABILIDADE DA NOCO NOS TERMOS DO PRESENTE DOCUMENTO ESTÁ EXPRESSAMENTE LIMITADA À SUBSTITUIÇÃO OU AO REPARO. NA MEDIDA MÁXIMA PERMITIDA POR LEI, A NOCO NÃO PODE SER RESPONSABILIZADA POR NENHUM COMPRADOR DO PRODUTO OU POR TERCEIROS POR QUAISQUER DANOS ESPECIAIS, INDIRETOS, CONSEQUENTES OU EXEMPLARES, INCLUINDO, ENTRE OUTROS, LUCROS PERDIDOS, DANOS MATERIAIS OU LESÕES CORPORAIS, RELACIONADOS DE QUALQUER FORMA AO PRODUTO, SEJA QUAL FOR O MOTIVO, MESMO QUE A NOCO TENHA CONHECIMENTO DA POSSIBILIDADE DE TAIS DANOS. AS GARANTIAS ESTABELECIDAS NESTE DOCUMENTO SUBSTITUEM TODAS AS OUTRAS GARANTIAS, EXPRESSAS, IMPLÍCITAS, ESTATUTÁRIAS OU NÃO, INCLUINDO, SEM LIMITAÇÃO, AS GARANTIAS IMPLÍCITAS DE COMERCIALIZAÇÃO E ADEQUAÇÃO A UM PROPÓSITO ESPECÍFICO, E AS GARANTIAS DECORRENTES DO CURSO DE NEGOCIAÇÃO, USO OU PRÁTICA COMERCIAL. NO CASO DAS LEIS APLICÁVEIS IMPOREM GARANTIAS, CONDIÇÕES OU OBRIGAÇÕES QUE NÃO POSSAM SER EXCLUÍDAS OU MODIFICADAS, ESTE PARÁGRAFO DEVE APLICAR-SE, NA MEDIDA DO POSSÍVEL, A TAIS LEIS.

Esta Garantia Limitada é feita exclusivamente para o benefício do comprador original do Produto da NOCO ou de um revendedor ou distribuidor aprovado pela NOCO e não é transmissível ou transferível. Para fazer uma solicitação de garantia, o comprador deve: (1) solicitar e obter um número de autorização de devolução de produto ("RMA") e as informações do local de devolução (o "Local de Devolução") com a equipe de suporte da NOCO enviando e-mail para support@no.co ou ligando para 1.800.456.6626; e (2) enviar o Produto, incluindo o número de RMA, recibo ou uma taxa de garantia (a taxa somente é necessária se o recibo não for apresentado) de 45% do preço sugerido para o produto pela fabricante (ou MSRP, na sigla em inglês) do produto com defeito (a "Taxa de Garantia") [a RMA incluirá o valor da Taxa de Garantia aplicável] ao Local de Devolução. NÃO ENVIE O PRODUTO SEM PRIMEIRO OBTER UMA RMA DA EQUIPE DE SUPORTE DA NOCO.

O COMPRADOR ORIGINAL É RESPONSÁVEL (E DEVE PAGAR ANTECIPADAMENTE) TODOS OS CUSTOS DE TRANSPORTE E DE EMBALAGEM PARA ENVIAR PRODUTOS PARA O SERVIÇO DE GARANTIA.

NÃO OBSTANTE O ACIMA EXPOSTO, ESTA GARANTIA LIMITADA É NULA E NÃO SE APLICA AOS PRODUTOS QUE: (A) são mal utilizados, manipulados incorretamente, sujeitos a abusos ou manuseio descuidado, acidentados, armazenados incorretamente ou operados sob

condições extremas de tensão, temperatura, choque ou vibração acima das recomendações da NOCO para uso seguro e efetivo; (b) instalado, operado ou mantido incorretamente; (c) são/foram modificados sem o consentimento expresso por escrito da NOCO; (d) foram desmontados, alterados ou reparados por qualquer pessoa que não seja da NOCO; (e) cujos defeitos foram reportados após o Período de Garantia.

ESTA GARANTIA LIMITADA NÃO COBRE: (1) desgaste normal; (2) danos estéticos que não afetam a funcionalidade; ou (3) Produtos em que o número de série da NOCO está ausente, alterado ou desfigurado.

CONDIÇÕES DA GARANTIA DESCOMPLICADA

Essas condições se aplicam ao Produto somente durante o Período de Garantia. A Garantia Descomplicada é anulada em virtude do tempo decorrido a partir da data da compra (tempo decorrido da data do número de série, se não houver prova da aquisição) ou das condições listadas acima, neste documento. Devolva o Produto com a documentação adequada.

Com Recibo:

1 Ano: SEM Custo. Com prova da aquisição, o período de garantia começa na data da compra.

SEM Recibo:

1 Ano: SEM Custo. SEM prova da aquisição, o período de garantia começa na data do número de série.

Você pode registrar seu produto NOCO on-line no: no.co/register. Se você tiver alguma dúvida sobre sua garantia ou produto, entre em contato com o suporte da NOCO (e-mail e número de telefone acima) ou escreva para: NOCO Company, 30339 Diamond Parkway, #102, Glenwillow, OH 44139 USA.

NOCO BOOST[®] MAX[™] GB251+



GEVAAR

Gebruikershandleiding & garantie



VOOR U DIT PRODUCT GEBRUIKT, MOET U ALLE VEILIGHEIDSINFORMATIE LEZEN EN BEGRIJPEN. Als u deze veiligheidsinstructies niet naleeft, dan kan dat resulteren in ELEKTRISCHE SCHOKKEN, ONTPLOFFING, BRAND wat vervolgens kan leiden tot ERNSTIGE VERWONDINGEN, OVERLIJDEN of SCHADE AAN EIGENDOM.



Elektrische schok. Het product is een elektrisch toestel dat een schok en dus ook ernstige verwondingen kan veroorzaken. Snij geen stroomkabels door. Niet onderdompelen in water of nat maken.



Ontploffing. Ongecontroleerde, incompatibele of beschadigde batterijen kunnen ontploffen als ze met dit product gebruikt worden. Laat het product niet zonder toezicht achter als het in werking is. Probeer niet om een beschadigde of bevroren batterij te starten. Gebruik dit product enkel met batterijen met het aanbevolen voltage. Gebruik het product in goed verluchte ruimtes.



Brand. Het product is een elektrisch toestel dat warmte uitstraalt en brandwonden kan veroorzaken. Bedek het product niet. Niet roken of voorwerpen met een elektrische vonk of vuur gebruiken als u dit product bedient. Hou het product uit de buurt van brandbaar materiaal.



Oogletsel. Draag oogbescherming als u dit product bedient. Batterijen kunnen ontploffen waardoor er brokstukken kunnen wegvliegen. Batterijzuur kan irritatie aan de ogen of de huid veroorzaken. Als uw ogen of huid aangetast zijn, spoel de aangetaste zone dan met stromend water en neem onmiddellijk contact op met het antigifcentrum / uw huisarts.



Explosieve gassen. Werken in de buurt van loodzuur is gevaarlijk. Batterijen produceren explosieve gassen tijdens de normale werking ervan. Om het risico op ontploffende batterijen te beperken, moet u alle veiligheidsinstructies naleven evenals de instructies van de batterijproducent en de producent van toestellen die bestemd zijn om te gebruiken in de buurt van batterijen. Lees de waarschuwingmeldingen op deze producten en op de motor.

Nederlands

Voor meer informatie en ondersteuning gaat u naar:

www.no.co/support

Belangrijke veiligheidswaarschuwingen

OPGELET

De handmatige modus schakelt alle veiligheidsmaatregelen uit. Verkeerd gebruik en/of gebruik tegen onze aanbevelingen in, kan letsel of de dood tot gevolg hebben en laat uw garantie vervallen. Risico op brand, explosie en brandwonden. Niet demonteren, vermorzelen of verhitten boven 60°C (140°F) of verbranden. Dit apparaat is bedoeld voor tijdelijk gebruik buitenshuis en er moet redelijke zorg worden besteed bij het gebruik ervan in natte omstandigheden.

WAARSCHUWING

Overlaad de interne accu niet. Zie gebruiksaanwijzing. Niet roken, een lucifer aansteken of vonken veroorzaken in de buurt van de accu. Laad de interne accu uitsluitend in een goed geventileerde ruimte en wanneer niet in gebruik.

OPGELET

Risiko for personskade. Brug ikke dette produkt, hvis ledninger eller batterikablerne er beskadiget på nogen måde. Denne enhed er ikke beregnet til brug i et kommercielt værksted. Denne enhed skal opbevares indendørs, når den ikke er i brug. Enheden må ikke opbevares eller efterlades udendørs, når den ikke er i brug.

Proposition 65. Batterijhouders, terminals en bijhorende accessoires bevatten chemicaliën, waaronder ook lood. Die materialen zijn in de staat Californië gekend als kankerverwekkers en veroorzakers van geboorteafwijkingen en andere voortplantingsproblemen. **Persoonlijke voorzorgsmaatregelen.** Gebruik het product enkel voor het beoogde doel. Er moet iemand binnen stembereik zijn of dicht genoeg om u te helpen in geval van nood. Zorg ervoor dat er schoon water en zeep beschikbaar is in de buurt voor als er vervuiling met batterijzuur zou optreden. Draag volledige oogbescherming en beschermende kledij als u in de buurt van een batterij werkt. Was steeds uw handen nadat u met batterijen en bijhorende producten gewerkt heeft. Gebruik of draag geen metalen voorwerpen als u met batterijen werkt, denk maar aan gereedschap, uurwerken of juwelen. Als er metaal op de batterij valt, kan dat vonken of kortsluiting veroorzaken wat kan leiden tot een elektrische schok, brand, ontploffing. Dat kan dan weer zorgen voor verwondingen, overlijden of schade aan eigendom. **Minderjarigen.** Als de "Koper" het product wil laten gebruiken door een minderjarige, dan stemt de aankopende volwassene ermee in om de minderjarig voor gebruik te voorzien van gedetailleerde instructies en waarschuwingen. Als hij dat niet doet, dan is dat de verantwoordelijkheid van de "Koper" die ermee instemt om NOCO te vrijwaren tegen onbedoeld gebruik of misbruik door een minderjarige. **Verstikkingsgevaar.** De accessoires kunnen een verstikkingsgevaar vormen voor kinderen. Laat kinderen niet zonder toezicht bij het product of de accessoires. Het product is geen speelgoed. **Bediening.** Bedien het product voorzichtig. Bij een botsing kan het product beschadigd raken. Gebruik geen beschadigd product,

inclusief, maar niet beperkt tot, barsten in de behuizing of beschadigde kabels. Gebruik geen producten met een beschadigde stroomkabel. Vocht en vloeistoffen kunnen het product beschadigen. Gebruik het product of de elektrische onderdelen ervan niet in de buurt van vloeistoffen. Bewaar en gebruik het product op een droge plaats. Gebruik het product niet als het nat is. Als het product al aan het werk is en het wordt nat, koppel het dan los van de batterij en zet het gebruik ervan onmiddellijk stop. Koppel het product niet los door aan de kabels te trekken. Wijzigingen. Probeer niet om het product, of onderdelen ervan, te wijzigen, aan te passen of te herstellen. Als u het product uit elkaar haalt, dan kan dat leiden tot verwondingen, overlijden of schade aan eigendom. Als het product beschadigd raakt, slecht werkt of in contact komt met een vloeistof, zet het gebruik ervan dan stop en neem contact op met NOCO. Elke aanpassing aan het product verklaart uw garantie nietig.

Accessoires. Dit product is enkel goedgekeurd voor gebruik met NOCO-accessoires. NOCO is niet verantwoordelijk voor de gebruikersveiligheid of voor schade als er accessoires gebruikt worden die niet erkend worden door NOCO. **Locatie.** Vermijd dat het batterijzuur met het product in aanraking komt. Gebruik het product niet in een ingesloten ruimte of een ruimte met beperkte ventilatie. Plaats geen batterij bovenop het product. Plaats kabelgeleiders om onvoorziene schade te vermijden veroorzaakt door bewegende voertuigonderdelen (inclusief motorkappen en deuren), bewegende motoronderdelen (inclusief ventilatorbladen, riemen en schijven) of wat een gevaar kan vormen en verwondingen of overlijden kan veroorzaken. **Bedieningstemperatuur.** Dit product werd ontworpen om te gebruiken bij kamertemperaturen tussen - 20 en + 50 °C. Gebruik het niet bij temperaturen die buiten dat bereik vallen. Probeer niet om een bevroren batterij te starten. Beëindig het gebruik van het product onmiddellijk als de batterij extreem warm wordt. **Opslag.** Gebruik of bewaar uw product niet op plaatsen waar veel stof of ander materiaal in de lucht hangt. Bewaar uw product op een effen, beschut oppervlak zodat het niet kan vallen. Bewaar uw product op een droge plek. De opslagtemperatuur is - 20 tot + 50 °C (0 °C tot + 40 °C gemiddelde temperatuur). Zorg ervoor dat de temperatuur in geen enkele situatie hoger is dan 80 °C. **Compatibiliteit.** Het product is alleen compatibel met loodzuuraccusystemen van 12 Volt. Gebruik het product niet voor andere soorten accu's. Het hulpstarten met andere soorten accu's kan leiden tot verwondingen, de dood of schade aan eigendom. Neem contact op met de accuproducent voordat u hulpstart met de accu. Doe dit niet wanneer u niet zeker bent van de specifieke chemische samenstelling of de spanning van de accu. **De Batterij.** De in het product ingebouwde lithium-ionbatterij mag enkel vervangen worden door NOCO en moet gerecycleerd worden of apart van het huishoudelijk afval geruimd worden. Probeer de batterij niet zelf te vervangen en probeer niet om een beschadigde of lekkende lithium-ionbatterij te bedienen. Gooi de batterij nooit bij het huishoudelijk afval. Batterijen bij het huishoudelijk afval gooien is onwettig volgens de geldende milieuwetten en -regelgevingen. Breng gebruikte batterijen steeds naar uw plaatselijk recyclagecentrum voor batterijen. Als de productbatterij extreem warm is, geur verspreidt, vervormd is, insnijdingen vertoont of een abnormaal uitzicht vertoont, stop dan onmiddellijk het gebruik ervan en neem contact op met NOCO. **Batterij opladen.** Laad het product op met de bijgeleverde 12VDC autolader of de XGC4 oplader. Gebruik geen merkloze adapters of adapters van derden, aangezien deze ernstig elektrisch risico inhouden dat tot persoonlijk letsel of schade aan apparaten en eigendommen kan leiden. Als u beschadigde kabels of opladers gebruikt of als u oplaadt als er vocht aanwezig is, kan dat leiden tot elektrische schokken. NOCO is niet verantwoordelijk voor de veiligheid van gebruikers, beschadigingen aan het apparaat, of schade aan eigendommen als er accessoires of hulpmiddelen gebruikt worden die niet erkend worden door NOCO. Als u de XGC4 oplader gebruikt, zorg er dan voor dat de wisselstroomstekker stevig op de adapter

is aangesloten voordat u de stekker in een stopcontact steekt. De stroomadapter kan warm worden bij normaal gebruik en langdurig contact met de huid kan leiden tot verwondingen. Zorg bij gebruik steeds voor voldoende ventilatie rond de stroomadapters. Voor maximale levensduur van de accu is het beter om het product niet langer dan een week continu op te laden, aangezien overlading de levensduur van de accu kan verkorten. Na verloop van tijd ontlaadt een product dat niet gebruikt wordt en moet u het voor gebruik opnieuw opladen. Koppel het product los van stroombronnen als het niet gebruikt wordt. Gebruik het product uitsluitend voor de beoogde doeleinden.

Medische apparatuur. Het product kan elektromagnetische velden uitzenden. Het product bevat magnetische onderdelen die storing kunnen veroorzaken met pacemakers, defibrillatoren of andere medische apparatuur. Die elektromagnetische velden kunnen storing veroorzaken met pacemakers of andere medische apparatuur. Raadpleeg voor gebruik uw arts indien u gebruik maakt van medische apparatuur, inclusief pacemakers. Als u vermoedt dat het product storing veroorzaakt met medische apparatuur, zet het gebruik ervan dan onmiddellijk stop en raadpleeg uw arts.

Medische aandoeningen. Als u aan een medische aandoening lijdt waarvan u vermoedt dat het product er een invloed op zou kunnen hebben, inclusief maar niet beperkt tot aanvallen, black-outs, vermoeidheid van de ogen of hoofdpijn, raadpleeg dan uw arts voor u het product gebruikt. Het gebruik van een krachtige ingebouwde zaklamp impliceert een kans op lichtgevoeligheid. Als u het licht in stroboscoopmodus gebruikt, kan dat aanvallen veroorzaken bij mensen met lichtgevoelige epilepsie, wat kan leiden tot ernstige verwondingen of overlijden.

Licht. Als u recht in de zaklamp kijkt, dan kan dat permanente schade aan uw ogen veroorzaken. Het product is voorzien van een voorgevormde ledlamp met hoge output die een krachtige lichtstraal uitzendt in de hoogste instelling.

Schoonmaken. Schakel het product uit voor u het schoonmaakt of er onderhoud aan uitvoert. Maak het product onmiddellijk schoon en droog het af als het in contact komt met vloeistoffen of verontreinigende stoffen. Gebruik een zachte microvezeldoek. Zorg ervoor dat er geen vocht in de openingen komt.

Explosieve omgevingen. Leef alle aanwijzingen en instructies na. Gebruik het product niet in een ruimte met een mogelijk explosieve omgeving, inclusief tankzones of zones die chemicaliën of deeltjes zoals graan, stof of metaalpoeder bevatten.

Activiteiten met aanzienlijke gevolgen. Dit product is niet bestemd voor gebruik waarbij een storing van het product zou kunnen leiden tot verwondingen, overlijden of zware schade aan het milieu.

Storing radiofrequentie. Het product werd ontworpen, getest en geproduceerd in overeenstemming met de reglementering inzake uitstraling van radiofrequentie. Dergelijke uitstralingen van het product kunnen een negatieve invloed hebben op de werking van andere elektronische uitrusting, waardoor ze slecht werken.

Modelnummer: GB251 Dit toestel is in overeenstemming met Deel 15 van de FCC Rules. Het gebruik ervan wordt onderworpen aan de volgende twee voorwaarden: (1) dit toestel mag geen schadelijke storing veroorzaken en (2) dit toestel moet elke ontvangen storing aanvaarden, inclusief storing die ongewenste handelingen kan veroorzaken.

OPMERKING: Deze uitrusting werd getest en in overeenstemming bevonden met de beperkingen voor een digitaal toestel uit Klasse A, volgens Deel 15 van de FCC Rules. Deze beperkingen werden opgesteld om te zorgen voor een redelijke bescherming tegen schadelijke storing als de uitrusting gebruikt wordt in een commerciële omgeving. De uitrusting zorgt voor, gebruikt en kan radiofrequentie-energie uitstralen en kan, indien ze niet geïnstalleerd werd in overeenstemming met de handleiding, zorgen voor schadelijke storing aan radiocommunicatie. Het gebruik van deze uitrusting in een woonzone kan schadelijke storing veroorzaken waarbij de gebruiker de storing op eigen kosten zal moeten corrigeren.

Gebruik

Stap 1: De GB251 opladen.

De GB251 is al deels opgeladen als u hem uit de verpakking haalt maar moet volledig opgeladen worden voor gebruik. Sluit de GB251 met behulp van de bijgeleverde 12C DC autolader of de XGC4 oplader aan op de 12V IN-poort. De tijd om een GB251 op te laden verschilt, afhankelijk van het niveau van ontlading en de gebruikte stroombron. De werkelijke resultaten kunnen verschillen naargelang de toestand van de batterij en de mate van ontlading.

Bij het opladen wordt het niveau van de interne batterij aangeduid door de oplaadleds. De leds zullen traag aan en uit knipperen en blijven oplichten tot alle vier de oplaadleds branden. Als de batterij volledig opgeladen is, zal de groene 100% led blijven branden en schakelen de 25%, 50% en 75% oplaadleds uit. De groene 100% led zal af en toe knipperen om aan te geven dat de onderhoudsoplaadbeurt bezig is.

Stap 2: Aansluiten op de batterij.

Zorg ervoor dat u in de voertuighandleiding de specifieke voorzorgsmaatregelen en aanbevolen methodes voor het hulpstarten van het voertuig zorgvuldig hebt gelezen en begrepen. Bepaal de spanning en de chemische samenstelling van de accu door de bijhorende handleiding te raadplegen voordat u dit product gebruikt. De GB251 is alleen geschikt om loodzuuraccusystemen van 24 V te helpen starten. Voor u hem aansluit op de accu moet u controleren of het een loodzuuraccusysteem van 24 V betreft. De GB251 is niet geschikt voor andere soorten accu's. Controleer de polariteit van de accupolen. De positieve accupool wordt doorgaans aangeduid met de volgende letters of symbolen: POS, P, +. De negatieve accupool wordt doorgaans aangeduid met de volgende letters of symbolen: NEG, N, -. Maak geen verbinding met de carburator, brandstoflijnen of dunne plaatmetalen onderdelen. De instructies hieronder zijn voor een negatief geaard systeem (komt het meest voor). Als uw voertuig een positief geaard systeem is (erg onwaarschijnlijk), raadpleeg dan de handleiding van het voertuig voor de juiste hulpstartinstructies.

Oplaadtijd:

5hr

Laadklasse:

56W

Intern batterijniveau



25% 50% 75% 100%

1.) Klem de positieve (rode) accuklem op de positieve (POS,P,+) accupool en de negatieve (zwarte) accuklem op de negatieve (NEG,N,-) accupool of op het chassis van het voertuig.

Stap 3: **Starten.**

1.) Zorg ervoor dat alle stroomladingen van het voertuig (koplampen, radio, airco ...) uitgeschakeld zijn voor u het voertuig probeert te starten.

2.) Druk op de aan-/uitknop om het hulpstartproces te beginnen; alle ledlampjes zullen eenmaal knipperen. Als u correct aangesloten bent op de accu dan licht het witte boost-ledlampje op en zullen de acculaad-ledlampjes volgen. Zodra de accu wordt gedetecteerd begint er een time-out countdown van 60 seconden.

3.) Probeer het voertuig te starten. De meeste voertuigen zullen onmiddellijk starten. Voor sommige voertuigen moet de GB251 zo'n 30 seconden aangesloten zijn voor ze zullen starten. Als het voertuig niet onmiddellijk start, wacht dan 20-30 seconden en probeer opnieuw. Probeer binnen een periode van 15 minuten niet meer dan vijf (5) keer na elkaar om te starten. Laat de GB251 vijftien (15) minuten rusten voor u opnieuw probeert om het voertuig te starten.

4.) Zodra u uw voertuig gestart heeft, koppelt u de batterijklemmen los en verwijdert u de GB251.

Aftelproces van 60 seconden.

Een aftelproces van 60 seconden begint zodra de accu is gedetecteerd. Na die 60 seconden schakelt de hulpstartfunctie uit. Het Boost-ledlampje gaat uit en de interne acculaad-ledlampjes geven het huidige spanningsniveau van het apparaat aan. Om het hulpstartproces te resetten drukt u de Power-knop in om het apparaat uit te zetten. Druk de Power-knop opnieuw in om het apparaat weer aan te zetten en het hulpstartproces opnieuw te beginnen.

LET OP.

HET AFTELPROCES VAN 60 SECONDEN IS UITGESCHAKELD IN DE HANDMATIGE BEDIENINGSMODUS. TIJDENS HANDMATIGE BEDIENING BLIJFT ER STROOM GELEVERD WORDEN. VOOR EEN GROTER AANTAL HULPSTARTPROCESSEN WORDT HET AANGERADEN OM HET BOOSTAPPARAAT UIT TE ZETTEN ZODRA HET VOERTUIG IS GESTART.

Laagspanningsbatterijen & manuele opheffing

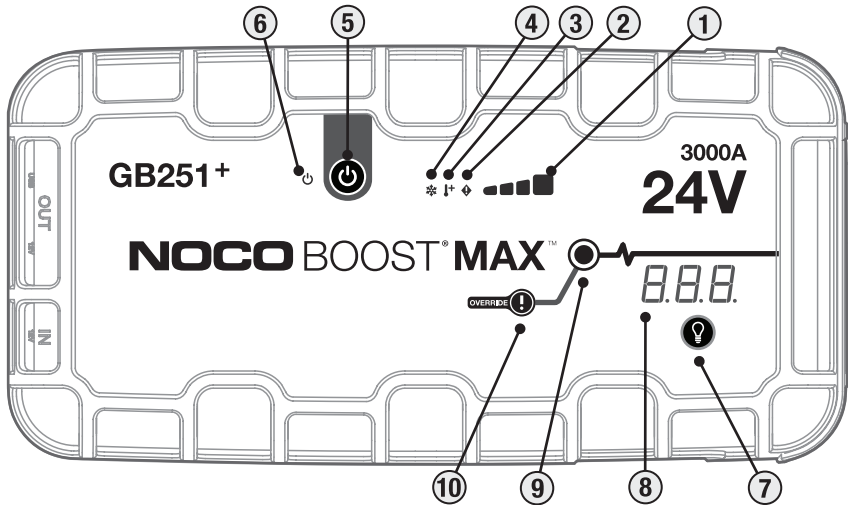
De GB251 is ontworpen om loodzuuraccusystemen van 24 tot 2 V te helpen starten. Als uw accu minder dan 2 V bevat, dan staat het boost-ledlampje uit. Dat wijst erop dat de GB251 geen accu kan detecteren. Als u een accu met minder dan 2 V wilt starten, dan is er een handmatige bedieningsfunctie waarmee u de hulpstartfunctie kunt forceren. Indien de accu minder dan 2 V bevat, zal het boost-ledlampje uit zijn en de voltmeter geen spanning weergeven.

LET OP.

GEBRUIK DEZE MODUS UITERST VOORZICHTIG. DEZE MODUS IS UITSLUITEND VOOR LOODZUURACCUSYSTEMEN VAN 24 VOLT. DE BESCHERMING TEGEN VONKEN EN OMGEKEERDE POLARITEIT IS UITGESCHAKELD. BESTEED BIJZONDERE AANDACHT AAN DE POLARITEIT VAN DE ACCU VOOR U DEZE MODUS GEBRUIKT. ZORG ERVOOR DAT DE POSITIEVE EN NEGATIEVE ACCUKLEMMEN ELKAAR NIET RAKEN OF OP ELKAAR AANGESLOTEN ZIJN. ALS DAT WEL HET GEVAL IS, ZAL HET PRODUCT VONKEN VEROORZAKEN. DEZE MODUS MAAKT GEBRUIK VAN BIJZONDER HOGE STROOM (TOT 3.000 A) DIE BIJ VERKEERD GEBRUIK VONKEN EN EXTREME HITTE KAN VEROORZAKEN. ALS U ONZEKER BENT OVER HET GEBRUIK VAN DEZE MODUS, PROBEER DIT DAN NIET EN SCHAKEL PROFESSIONELE HULP IN.

Uw USB- en 12V-apparaten van stroom voorzien.

De GB251 heeft (2) USB-OUT-aansluiting en een "12V-Out"-aansluiting (12V AUX/ sigarettenaanstekeraansluiting). Sluit een standaard USB-apparaat of 12-V-apparaat (tot 15 A) aan en zet de GB251 aan om uw apparaten van stroom te voorzien.



Koppel

1.) Intern batterijniveau Geeft het oplaadniveau van de interne batterij aan.

2.) Foutled Licht Brandt rood als omgekeerde polariteit wordt gedetecteerd, of knippert "aan" en "uit" in verschillende reeksen (van 1 tot 6 keer knipperen) om foutcondities aan te geven.

3.) Hitte Led Licht blijvend Rood op; het toestel werkt ten volle, maar nadert de bovenste temperatuurgrens. Knipperend rood; apparaat is te warm om te starten, alleen de zaklamp is in deze staat beschikbaar.

4.) Koude Led Licht blijvend Blauw op; het toestel werkt ten volle, maar nadert de onderste temperatuurgrens. Blauw knipperend; apparaat is te koud om te starten, alleen de zaklamp is in deze staat beschikbaar.

5.) Stroomknop Druk om het toestel in ("On") en uit ("Off") te schakelen.

6.) Stroomled Licht wit op als de unit ingeschakeld is. Licht oranje op na het aftellen van de time-out van 60 seconden totdat de klemmen uit de autoaccu worden verwijderd of de GB251 wordt uitgeschakeld en weer ingeschakeld.




7.) Knop lichtmodus Schakelt het superheldere ledlicht in met 7 lichtmodes: 100% > 50% > 10% > SOS > Knipperen > Stroboscoop > Uit

8 . Voltmeter / afteltimer De ingebouwde voltmeter leest het voltage van de batterij van het voertuig voor een verbeterde diagnostiek en om problemen op te lossen. De voltmeter zal automatisch het voltage van om het even welke batterij (of batterijsysteem) lezen als de batterijklemmen aangesloten zijn, ook al is de unit uitgeschakeld. De voltmeter kan een voltage aflezen tussen ~ 3 V en ~ 30 V. Als de aangesloten batterij minder dan 3 V heeft, dan verschijnt er niets. Als het voltage zo laag is, dan is er waarschijnlijk een lading aangesloten op de batterij, denk maar aan koplampen of een wisselstroomventilator. Schakel deze uit voor u het voertuig probeert te starten. Terwijl het apparaat is ingeschakeld en nadat een batterij is gedetecteerd, geeft de voltmeter het aftellen van de time-out van 60 seconden weer.

9.) Boostled Licht wit op als de Boost actief is. Als de unit correct aangesloten is op een batterij, dan zal de GB251 automatisch een batterij vinden en overschakelen op de Boostmodus (led knippert wit als de Manuele opheffing actief is).

10.) Knop Manuele opheffing Drie (3) seconden ingedrukt houden om in te schakelen. **WAARSCHUWING: Schakelt de veiligheidsbescherming uit en schakelt de Boost manueel in. Alleen te gebruiken als de accuspanning te laag is om gedetecteerd te worden.**

Problemen oplossen

Fout	Reden/Oplossing
Foutled: Blijvend rood	Omgekeerde polariteit/Draai de batterijverbindingen om.
Foutled: Knipperend rood met kabels correct aangesloten	Kortsluiting op accuklemmen gedetecteerd./ Laat de accu nakijken door een vakman.
Knippert één (1) keer	Kortsluiting op accuklemmen gedetecteerd./ Verwijder alle belasting en klem de klemmen opnieuw op de accupolen.
 Dubbele (2) flits	Hoge spanning gedetecteerd bij klemmen (de GB251 is aangesloten op een spanningsstelsel van meer dan 24 V).
Viervoudige (4) flitser	Time-outfout laden (d.w.z. de GB251 is te lang in bulkloading geweest)
Vijfvoudig (5) Flash	XGC OUT overstroom (d.w.z. er wordt meer dan 15 ampère getrokken uit de XGC OUT-poort)
Zesvoudig (6) Flash	BMS-fout (Battery Management System). (Schakel GB251 "uit" en weer "aan" in om te wissen. Neem contact op met de klantenservice als het probleem zich blijft voordoen)
Hitte Led: Blijvend	Het toestel werkt ten volle, maar nadert de bovenste temperatuurgrens. / Laat het toestel afkoelen.
 Hitte Led: Knipperend	Het apparaat is te heet om te starten, alleen de zaklamp is in deze staat beschikbaar. / Laat het apparaat afkoelen.
Hitte Led: Knippert eerst, vervolgens gaan alle leds uit	Het toestel is te warm om te starten of om andere functies te gebruiken. / Laat het toestel afkoelen en plaats het toestel in een koelere omgeving.
Koude Led: Blijvend	Het toestel werkt ten volle, maar nadert de onderste temperatuurgrens. / Laat het toestel opwarmen.
 Koude Led: Knipperend	Het apparaat is te koud om te starten, alleen de zaklamp is in deze staat beschikbaar / Laat het apparaat opwarmen.
Koude Led: Knippert eerst, vervolgens gaan alle leds uit	Het toestel is te koud om te starten of om andere functies te gebruiken. / Laat het toestel opwarmen en plaats het toestel in een warmere omgeving.
Boostlicht schakelt niet in met kabels correct aangesloten	De aangesloten batterij heeft minder dan 3 volt/Verwijder alle ladingen en probeer opnieuw of gebruik de modus Manuele ophefing.

Technische specificaties

Interne batterij: 137Wh Lithium-ion	12V (input): 12V/5A (14V Max)
Maximale stroomsterkte: 3000A	12V (output): 12V, 15V Max
Bedieningstemperatuur: - 20 °C tot + 50 °C	Behuizingsbescherming: IP65 (met poorten gesloten)
Laadtemperatuur: 0 °C tot + 40 °C	Koeling: Natuurlijke convectie
Opslagtemperatuur: - 20 °C tot + 50 °C (Gem. temp.)	Afmetingen (l x b x h): 31,75 x 20,83 x 3,39 Centimeters
USB (output): 5 V, 2,1 A	Gewicht: 6,19 kilogram (13,65 lb)

NOCO Eén (1) jaar beperkte garantie

Het bedrijf NOCO ("NOCO") garandeert dat dit product (het "Product") vrij is en blijft van defecten op het vlak van materiaal en afwerking gedurende één (1) jaar na aankoop (de Garantieperiode). Voor defecten die tijdens de Garantieperiode gemeld worden, zal NOCO, naar eigen goeddunken en volgens de analyse van de technische ondersteuning van NOCO, de defecte Producten herstellen of vervangen. De reserveonderdelen en -producten zullen nieuw of xxx zijn, met een werking en prestaties die vergelijkbaar zijn met het originele onderdeel en met een garantie die doorloopt tot het einde van de originele Garantieperiode.

DE AANSPRAKELIJKHEID VAN NOCO WORDT HIERBIJ UITDRUKKELIJK BEPERKT TOT VERVANGING OF HERSTELLING. VOOR ZOVER DE WET DAT TOELAAT, ZAL NOCO NIET AANSPRAKELIJK ZIJN TEN OPZICHTE VAN KOPERS VAN HET PRODUCT OF VAN DERDE PARTIJEN VOOR SPECIALE, ONRECHTSTREEKSE, RESULTERENDE OF EXEMPLAIRE SCHADE, INCLUSIEF MAAR NIET BEPERKT TOT VERLIES VAN WINST, SCHADE AAN EIGENDOM OF PERSOONLIJKE VERWONDINGEN, DIE OP ENIGE WIJZE TE MAKEN HEEFT MET HET PRODUCT, HOE DIE OOK VEROORZAAKT WORDT, OOK AL WAS NOCO OP DE HOOGTE VAN DE KANS OP DERGELIJKE SCHADE. DE GARANTIES DIE HIERIN UITEENGEZET WORDEN ZIJN TER VERVANGING VAN ALLE ANDERE GARANTIES, EXPLICIET, IMPLICIET, STATUTAIR OF ANDERS, INCLUSIEF, ZONDER BEPERKING, DE GEÏMPliceERDE GARANTIES VOOR VERKOOPBAARHEID EN GESCHIKTHEID VOOR EEN BEPAALD DOEL EN DEZE DIE VOORTVLOEIEN UIT HET VERLOOP VAN HANDELS-, GEBRUIKS- OF RUILPRAKTIJKEN. IN HET GEVAL DAT

DE TOEPASSELIJKE WETTEN GARANTIES, VOORWAARDEN OF VERPLICHTINGEN OPLEGGEN DIE NIET UITGESLOTEN OF GEWIJZIGD KUNNEN WORDEN, DAN IS DEZE PARAGRAAF ZOVEEL MOGELIJK VAN TOEPASSING ALS DIE WETTEN TOELATEN.

Deze Beperkte garantie is uitsluitend opgesteld ten gunste van de oorspronkelijke koper van het Product bij NOCO of een erkende NOCO-verkoper of -verdelers en kan niet toegewezen of overgedragen worden. Om een garantieclaim te staven, moet de koper het volgende ondernemen: (1) een goedkeuringsnummer om goederen terug te sturen ("RMA", return merchandise authorization) en informatie over de terugzendingslocatie (de Terugzendingslocatie") aanvragen en verkrijgen bij de NOCO support door te e-mailen naar support@no.co of door te bellen naar 1.800.456.6626 en (2) het Product samen met het RMA-nummer, ontvangstbewijs of garantievergoeding (vergoeding enkel vereist als er geen ontvangstbewijs voorgelegd wordt) van 45% van de MSRP van het defecte Product (de "Garantievergoeding") terugsturen [RMA omvat het toepasselijke bedrag van de Garantievergoeding] naar de Terugzendingslocatie. **STUUR HET PRODUCT NIET TERUG VOOR U EEN RMA HEEFT ONTVANGEN VAN NOCO SUPPORT.**

DE ORIGINELE KOPER IS VERANTWOORDELIJK VOOR DE VERPAKKING EN VERZENDKOSTEN (EN MOET DEZE OOK BETALEN) OM HET PRODUCT TE VERSTUREN VOOR GARANTIEDIENSTEN.

ONDANKS WAT HIERBOVEN VERMELD WORDT, IS DE BEPERKTE GARANTIE NIETIG EN IS ZE NIET VAN TOEPASSING OP PRODUCTEN DIE: (a) verkeerd gebruikt worden, slecht afgesteld worden, onderworpen worden aan misbruik of onachtzaam gebruik, ongeval, verkeerd opgeslagen worden of bediend worden in omstandigheden met extreem voltage, extreme temperatuur, schokken of trillingen buiten de aanbevelingen van NOCO voor veilig en doeltreffend gebruik; (b) verkeerd geïnstalleerd, bediend of onderhouden worden; (c) gewijzigd werden zonder uitdrukkelijke, schriftelijke instemming van NOCO; (d) uit elkaar gehaald, gewijzigd of hersteld werden door iemand anders dan NOCO; (e) defecten vertonen die buiten de Garantieperiode gemeld werden.

DEZE BEPERKTE GARANTIE DEKT HET VOLGENDE NIET: (1) normale slijtage; (2) cosmetische schade die de werking niet beïnvloedt of (3) Producten waarvan het serienummer van NOCO ontbreekt, gewijzigd of geschonden werd.

VOORWAARDEN VOOR PROBLEEMLOZE GARANTIE

Deze voorwaarden gelden uitsluitend voor producten tijdens de garantietermijn. De Probleemloze garantie vervalt ofwel na het verstrijken

van de termijn vanaf de aankoopdatum (of na het verstrijken van de serienummerdatum als er geen kwitantie is) of vanwege de eerder in dit document vermelde producttoestanden.

Met kwitantie

1 jaar: GEEN kosten. Met kwitantie start de garantietermijn op de aankoopdatum.

ZONDER kwitantie

1 jaar: GEEN KOSTEN. ZONDER kwitantie start de garantietermijn op de serienummerdatum.

U kunt uw NOCO-product online registreren op: no.co/register. Als u vragen heeft over uw garantie of product, neem dan contact op met NOCO Support (e-mail en telefoonnummer hierboven) of schrijf naar: The NOCO Company, 30339 Diamond Parkway, #102, Glenwillow, OH 44139 USA.

NOCO BOOST[®] MAX[™] GB251+



FARE

Brugervejledning og garanti



LÆS OG FORSTÅ ALLE SIKKERHEDSINFORMATIONER, FØR DU ANVENDER DETTE PRODUKT. Hvis du ikke følger disse sikkerhedsanvisninger, kan det resultere i **ELEKTRISK STØD, EKSPLOSION, BRAND, som kan resultere i alvorlig skade, død eller ejendomsskade.**



Elektrisk stød. Produktet er en elektrisk enhed, der kan give stød, og forårsage alvorlig skade. Skær ikke i strømledninger. Undgå at dykke i vand eller at blive våd.



Ekspllosion. Uovervågne, inkompatible eller beskadigede batterier kan eksplodere, hvis de anvendes sammen med produktet. Lad ikke produktet stå uden opsyn under brug. Forsøg ikke at starte med på et beskadiget eller frosset batteri. Brug kun produktet med batterier der har en anbefalet spænding. Anvendes i godt ventilerede områder.



Brand. Produktet er en elektrisk enhed, der udsender varme og kan forårsage forbrændinger. Produktet må ikke dækkes til. Ryg ikke eller anvend en elektrisk eller elektrisk brandkilde ved brug af produktet. Hold produktet væk fra brændbare materialer.



Øjenskade. Brug øjenbeskyttelse ved brug af produktet. Batterier kan eksplodere og forårsage flydende affald. Batterisyre kan forårsage øjen- og hudirritation. I tilfælde af kontakt med øjne eller hud, skyl det berørte område med rent vand og kontakt omgående giftkontrollen.



Eksplorative gasser. Arbejde i nærheden af bly-syre er farligt. Batterier genererer eksplosive gasser under normal batteridrift. For at reducere risikoen for en batteriekspllosion, skal du følge alle sikkerhedsinstrukser og dem, der er offentliggjort af batteriproducenten, og producenten af det ønskede udstyr, der skal bruges i nærheden af batteriet. Gennemgå advarselsmærkninger på disse produkter og på motoren.

Dansk

For flere oplysninger og support,
besøg:

www.no.co/support

Vigtige sikkerhedsadvarsler

FORSIGTIG

Manuel tilstand deaktiverer alle sikkerhedsforanstaltninger. Hvis enheden bruges forkert og/eller imod vores anbefalede brug, kan det føre til personskade eller dødsfald, og vil annullere din garanti. Risiko for brand, eksplosion og forbrændinger. Undgå at adskillelse, knuse, opvarme til over 60 °C (140 °F) eller brænde. Denne enhed er beregnet til midlertidig brug udendørs, og der skal udvises rimelig omhu, når enheden bruges under våde forhold.

ADVARSEL

Undgå at overlade ikke det interne batteri. Se brugsanvisningen. Undgå at ryge, tænde en tændstik eller fremstille gnister i nærheden af strømforsyningen. Oplad kun det interne batteri i et godt ventileret område, når det ikke er i brug.

FORSIGTIG

Risiko for personskade. Brug ikke dette produkt, hvis ledningen eller batterikablerne er beskadiget på nogen måde. Denne enhed er ikke beregnet til brug i et kommercielt værksted. Denne enhed skal opbevares indendørs, når den ikke er i brug. Enheden må ikke opbevares eller efterlades udendørs, når den ikke er i brug.

Forslag 65. Batteriposter, terminaler og tilhørende tilbehør indeholder kemikalier, herunder bly. Disse materialer er kendt for i staten Californien, at forårsage kræft og fødselsdefekter, samt anden reproduktiv skade. **Personlig sikkerhedsforanstaltning.** Brug kun produktet som anvist. Nogen skal være indenfor rækkevidden af din stemme, eller tæt nok til at komme til din hjælp, i tilfælde af en nødsituation. Sørg for, at have en forsyning af rent vand og sæbe i nærheden, i tilfælde af batterisyreforurening. Bær altid øjenbeskyttelse og beskyttelsestøj imens du arbejder i nærheden af et batteri. Vask altid hænderne efter håndtering af batterier og beslægtede materialer. Undgå at håndtere eller bære metalgenstande, når du arbejder med batterier, herunder; værktøj, ure eller smykker. Hvis metal tabes på batteriet kan dette generere en gnist eller skabe kortslutning, der medfører elektrisk stød, brand, eksplosion, som kan medføre skade, død eller skade på ejendom. **Mindreårige.** Hvis produktet er beregnet af "Køber" til at blive benyttet af en mindreårig, indvilger den købsvoksne i at give detaljerede instruktioner og advarsler til enhver mindreårig inden brug. Hvis det ikke er tilfældet, er det alene "Køberens ansvar", der er enig i at fritage NOCO for ethvert utilsigtet brug, eller misbrug af en mindreårig. **Kvælningsfare.** Tilbehør kan betyde en kvælningsfare for børn. Efterlad ikke børn uden opsyn med produktet eller tilbehør. Produktet er ikke et legetøj. **Håndtering.** Håndter produkt med omhu. Produktet kan blive beskadiget, hvis det rammes hårdt. Brug ikke et beskadiget produkt, herunder, men ikke begrænset til, revner til kabinettet eller

beskadigede kabler. Brug ikke produktet med en beskadiget strømledning. Fugtighed og væsker kan beskadige produktet. Produktet og elektriske komponenter må ikke håndteres i nærheden af væske. Opbevar og betjen produktet på tørre steder. Brug ikke produktet, hvis det bliver vådt. Hvis produktet allerede er i drift og bliver vådt, skal du afbryde det fra batteriet og afbryde brug omgående. Undlad at afbryde produktet ved at trække i kablerne. Ændringer: Forsøg ikke at ændre, modificere eller reparere nogen del af produktet. Afmontering af produktet kan forårsage skade, død eller skade på ejendommen. Hvis produktet bliver beskadiget, har funktionsfejl eller kommer i kontakt med væske, afbrydes brugen og NOCO skal kontaktes. Enhver ændring af produktet vil annullere din garanti. **Tilbehør.** Dette produkt er kun godkendt til brug med NOCO tilbehør. NOCO er ikke ansvarlig for brugernes sikkerhed eller beskadigelse, når der anvendes tilbehør, der ikke er godkendt af NOCO. **Placering.** Forhindre batterisyre i at komme i kontakt med produktet. Brug ikke produktet i et lukket område eller i et område med begrænset ventilation. Undlad at stille et batteri oven på produktet. Placer kablene for at undgå utilsigtet skade ved bevægelige køretøjsdele (herunder hætter og døre), bevægelige motordele (herunder blæsere, bæltter og remskiver), eller hvad der kan blive en fare, der kan forårsage skade eller død. **Driftstemperatur.** Dette produkt er designet til at arbejde i omgivende temperaturer mellem -20°C til 50°C. Må ikke bruges uden for temperaturområder. Start ikke et frosset batteri. Stop brug af produktet straks, hvis batteriet bliver for varmt. **Opbevaring.** Brug ikke eller opbevar dit produkt i områder med høje koncentrationer af støv eller luftbårne materialer. Opbevar produktet på flade, sikre overflader, så det ikke er tilbøjeligt til at falde ned. Opbevar dit produkt på et tørt sted. Opbevaringstemperaturen er -20°C - 50°C (0°C til +40°C gennemsnitstemperatur). En temperatur på 80°C må aldrig overstiges under enhver betingelse. **Kompatibilitet.** Produktet er kun kompatibelt med 12 volts blysyrebatterisystemer. Forsøg ikke at bruge produktet til nogen andre typer batterier. Jumpstart af batterier med en anden kemi kan det medføre kvæstelse, dødsfald eller tingsskade. Kontakt batteriproducenten, inden du forsøger at jumpstarte batteriet. Forsøg ikke at jumpstarte et batteri, hvis du er usikker på batteriets kemi eller spænding. **Batteriet.** Det indbyggede lithium-ion batteri i produktet må kun udskiftes af NOCO, og skal genbruges eller bortskaffes separat fra husholdningsaffald. Forsøg ikke at udskifte batteriet selv, og håndter ikke et beskadiget eller utæt lithium-ion batteri. Batteriet må ikke bortskaffes i husholdningsaffald. Bortskaffelse af batterier i husholdningsaffald er ulovligt i henhold til statlige og føderale miljølove- og forskrifter. Bring altid brugte batterier til din lokale genbrugscentral. Hvis batteriet er meget varmt, udsender en lugt, er deformet, beskåret eller oplever eller viser en unormal forekomst, skal du straks stoppe al brug og kontakte NOCO. **Opladning af batterier.** Oplad produktet med den medfølgende 12 V DC biloplader eller XGC4-vægooplader. Brug aldrig ikke-specificerede strømforsyningsadaptere eller strømforsyningsadaptere fra tredjeparter, fordi sådanne strømforsyningsadaptere kan udgøre en alvorlig elektrisk risiko, der kan medføre kvæstelse af en person eller skader på enheden eller anden tingsskade. Brug af beskadigede kabler eller opladere, eller opladning under fugtige forhold, kan medføre elektrisk stød. NOCO er ikke ansvarlig for brugerens sikkerhed, skade på enheden eller anden tingsskade, når der anvendes tilbehør eller strømforsyninger, der ikke er godkendt af NOCO. Ved brug af XGC4-vægoopladeren skal du sørge for, at stikket er helt isat i adapteren, inden du tilslutter opladeren

til stikkontakten. Strømforsyningsadapteren kan blive varm under normal brug, og længerevarende hudkontakt kan medføre legemesbeskadigelse. Sørg altid for, at der er tilstrækkelig ventilation om strømforsyningsadapteren, når den er i brug. For at sikre maksimal batterilevetid skal du undgå at oplade dit produkt til mere end én uge ad gangen, fordi overopladning kan forkorte batterilevetiden. Med tiden vil et ubrugt produkt blive afladet, så det skal genoplades inden brug. Produktet skal kobles fra strømkilder, når det ikke er i brug. Brug kun produktet til de tiltænkte formål. **Medicinske apparater.** Produktet kan udsende elektromagnetiske felter. Produktet indeholder magnetiske komponenter, der kan interferere med pacemakere, defibrillatorer eller andre medicinske anordninger. Disse elektromagnetiske felter kan interferere med pacemakere eller andre medicinske anordninger. Kontakt din læge før brug, hvis du har noget medicinsk udstyr, inklusive pacemakere. Hvis du har mistanke om, at produktet forstyrrer en medicinsk enhed, skal du straks stoppe brug af produktet og kontakte din læge. **Medicinske forhold.** Hvis du har en medicinsk tilstand, som du mener kunne være berørt af produktet, herunder men ikke begrænset til: anfald, besvimelser, øjeproblemer eller hovedpine, skal du kontakte din læge inden brug af produktet. Brugen af en kraftig, integreret lommelygte indeholder en fare overfor lysfølsomhed. Brug af lyset i Strobe-tilstand kan forårsage anfald hos personer med lysfølsom epilepsi, hvilket kan medføre alvorlig skade eller død. **Lys.** At kigge direkte ind i lommelygten kan resultere i permanent øjenskade. Produktet er forsynet med en højtydende LED-forfokuseret lampe, der udsender en kraftig stråle ved den højeste indstilling. **Rengøring.** Sluk for produktet, inden der foretages vedligeholdelse eller rengøring. Rengør og tør produktet omgående, hvis det kommer i kontakt med væske eller enhver form for forurenende stof. Brug en blød lintfri (mikrofiber) klud. Undgå at få fugt i åbninger. **Eksplorative atmosfærer.** Overhold alle tegn og instruktioner. Brug ikke produktet i områder med eksplosionsfarlig atmosfære, herunder brændstofområder eller områder, der indeholder kemikalier eller partikler som korn, støv eller metalpulver. **Høje konsekvensvirkninger.** Dette produkt er ikke beregnet til brug, hvor produktfejl kan føre til skade, død eller alvorlig miljøskade. **Radiofrekvensinterferens.** Produktet er designet, testet og fremstillet til at overholde reglerne for radiofrekvensmissioner. Sådanne emissioner fra produktet kan påvirke driften af andet elektronisk udstyr negativt og forårsage funktionsfejl. **Modelnummer: GB251.** Denne enhed overholder Del 15 i FCC-reglerne. Drift er underlagt følgende to betingelser: (1) denne enhed må ikke forårsage skadelig interferens, og (2) denne enhed skal acceptere enhver modtaget interferens, herunder interferens, der kan forårsage uønsket drift. **BEMÆRK:** Dette udstyr er blevet testet og fundet at overholde grænserne for en Klasse A digital enhed, i henhold til Del 15 i FCC-reglerne. Disse grænser er designet til at give rimelig beskyttelse mod skadelig interferens, når udstyret betjenes i et kommercielt miljø. Dette udstyr genererer, bruger og kan udstråle radiofrekvensenergi, og hvis det ikke installeres og anvendes i overensstemmelse med brugsanvisningen, kan det forårsage skadelig interferens med radiokommunikationen. Brug i et beboelsesområde vil sandsynligvis forårsage skadelig interferens, i hvilket tilfælde brugeren bliver forpligtet til at korrigere forstyrrelsen på egen bekostning.

Sådan bruges det

Trin 1: Oplad GB251-enheden.

GB251 leveres delvist opladet og skal oplades fuldstændigt inden brug. Tilslut GB251 ved hjælp af den medfølgende 12 V DC-biloplader eller XGC4-vægooplader til 12 V-indgangsporten. Opladningstiden for GB251 vil variere afhængig af afladningsniveauet og den anvendte strømkilde. De faktiske resultater kan variere på grund af batteritilstanden og afladningsniveauet.

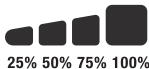
Ved opladning er opladningsniveauet for det interne batteri angivet med opladningsdioderne. LED'erne vil langsomt pulsere "Til" og "Fra", og bliver faste indtil alle fire opladningsdioder er tændte. Når batteriet er fuldt opladet, vil den grønne 100% LED vil være fast, og 25%, 50% og 75% Opladning LED'erne vil blive slukket. Fra tid til anden vil den grønne 100% LED pulsere, der viser, at vedligeholdelsesopladningen er i gang.

Trin 2: Tilslut til batteriet.

Læs grundigt og forstå bilens brugsvejledning vedrørende specifikke sikkerhedsforanstaltninger og anbefalede måder at jumpstarte køretøjet på. Sørg for at finde ud af batteriets kemi og spænding i henhold til brugsanvisningen for batteriet inden brug af batteriet. GB251 er kun beregnet til at jumpstarte blysyrebatterisystemer. Inden batteriet tilsluttes, skal du sikre dig, at du har at gøre med et 24 V blysyrebatterisystem. GB251 er ikke egnet til nogen andre typer batterier. Find den rigtige polaritet af batteriets terminaler. Den positive batteriterminal er typisk markeret med disse bogstaver eller symboler (POS,P,+). Den negative terminal er typisk markeret med disse bogstaver eller symboler (NEG,N,-). Foretag ingen tilslutninger til karburator, brændstofledninger eller tyndpladedele i metal. Instruktionerne nedenfor er for negativt jordsystem (mest almindeligt). Hvis dit køretøj er et positivt jordsystem (meget ualmindeligt), skal du læse køretøjets brugsvejledning for at finde de rigtige instruktioner om jumpstart.

Opladningstid:	Opladning vurdering:
5hr	56W

Internt batteriniveau



1.) Tilslut den positive (røde) batteriklemme til den positive (POS, P, +) batteripol og den negative (sorte) batteriklemme til den negative (NEG, N, -) batteripol eller køretøjets chassis.

Trin 3: **Kabel start**

1.) Sørg for, at alle køretøjets strømbelastninger (forlygter, radio, klimaanlæg, osv.) er slukket, før du forsøger at starte bilen.

2.) Tryk på tænd/sluk-knappen for at begynde jumpstarten, hvorefter alle LED'er blinker én gang. Hvis dit batteri er korrekt tilsluttet, vil den hvide boost-LED lyse, og batterioplader-LED'en vil følge efter. Der vil begynde en timeout-nedtælling på 60 sekunder, så snart et batteri er blevet detekteret.

3.) Prøv at starte køretøjet. De fleste køretøjer starter straks. Visse køretøjer kan kræve, at GB251 forbindes i op til 30 sekunder før start. Hvis bilen ikke starter med det samme, skal du vente 20-30 sekunder og prøve igen. Prøv ikke mere end fem (5) start, efter hinanden, inden for en femten (15) minutters periode. Lad GB251 hvile i femten (15) minutter, før du forsøger at starte bilen igen.

4.) Når du har startet dit køretøj, skal du afbryde batteriklemmerne og fjerne GB251.

60-sekunders timeout.

En nedtælling på 60 sekunder indledes, så snart et batteri registreres. Når der er gået 60 sekunder, deaktiveres starthjælpsfunktionen. Boost-LED'en slukkes, og opladnings-LED'erne for det interne batteri viser enhedens aktuelle opladningsniveau. For at nulstille starthjælpsfunktionen skal du trykke på tænd/sluk-knappen for at slukke enheden. Tryk på tænd/sluk-knappen igen for at tænde for enheden og genstarte starthjælpsfunktionen.

FORSIGTIG.

60-SEKUNDERS TIMEOUT ER DEAKTIVERET, NÅR MANUEL OVERSTYRINGSTILSTAND ER I BRUG. STRØM VIL FORTSAT BLIVE LEVERET, MENS MANUEL OVERSTYRING ER AKTIV. FOR AT MAKSIMERE ANTALLET AF STARTHJÆLPS-SEKVENSER ANBEFALES DET AT SLUKKE FOR BOOST-ENHEDEN, SÅ SNART KØRETØJET ER STARTET.

Lavspændingsbatterier og manuel overstyring

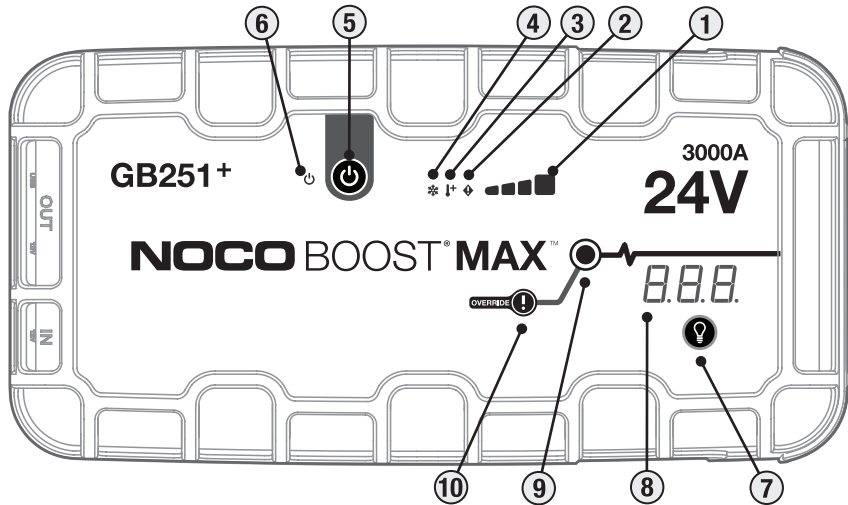
GB251 er beregnet til at jumpstarte 24-volts blysyrebatterisystemer og ned til 2 volt. Hvis dit batteri er på mindre end 2 volt, vil boost-LED'en være slukket. Dette indikerer, at GB251 ikke kan detektere et batteri. Hvis du skal jumpstarte et batteri på mindre end 2 volt, findes der en funktion til manuel overstyring, så du kan gennemtvunge aktivering af jumpstartfunktionen. Hvis batteriet er på under 2 volt, vil boost-LED'en være slukket, og voltmeteret vil ikke vise en spænding.

FORSIGTIG.

BRUG DENNE TILSTAND MED YDERSTE FORSIGTIGHED. DENNE TILSTAND ER KUN TIL 24-VOLTS BLYSYREBATTERISYSTEMER. GNISTBESKYTTELSEN OG BESKYTTELSEN MOD POLVENDING ER BEGGE DEAKTIVEREDE. VÆR YDERST OPMÆRKSOM PÅ BATTERIETS POLARITET INDEN BRUG AF DENNE TILSTAND. SØRG FOR, AT DEN POSITIVE OG DEN NEGATIVE BATTERIKLEMME IKKE BERØRER HINANDEN ELLER BLIVER FORBUNDET, DA PRODUKTET ELLERS VIL GNISTRE. DENNE TILSTAND BRUGER MEGET HØJE STRØMSTYRKER (OP TIL 3000 AMPERE), SOM KAN GENERERE GNISTER OG HØJ VARME VED FORKERT BRUG. HVIS DU ER USIKKER PÅ BRUGEN AF DENNE TILSTAND, SKAL DU IKKE FORSØGE AT BRUGE DEN. SØG I STEDET PROFESSIONEL HJÆLP.

Strømforsyning af dine USB- og 12-voltsenheder.

GB251 har to (2) USB-udgangsporte og en 12 V udgangsport (12 V reserve-/cigarettænderport) Isæt enhver standard-USB-enhed eller 12 V enhed (op til 15 A) og tænd for GB251 for at begynde at strømforsyne dine enheder.



grænseflade

1.) Internt batteriniveau Angiver opladningsniveauet for det interne batteri.

2.) Fejl LED Lyser rødt, hvis der registreres omvendt polaritet eller blinker "til" og "fra" i forskellige sekvenser (fra 1 til 6 blink) for at formidle fejltilstande.

3.) Hot LED Lyser fast Rødt; enheden er fuldt operationel, men nærmer sig sin øvre temperaturgrænse. Blinker rødt Enheden er for varm til at starte, kun lommelygten er tilgængelig i denne tilstand.

4.) Cold LED Lyser fast Blå; Enheden er fuldt operationel, men nærmer sig sin lavere temperaturgrænse. Blinkende blå; enheden er for kold til at starte, kun lommelygten er tilgængelig i denne tilstand.

5.) Tryk på Tænd/sluk-knap, for at tænde for "On" & "Off".

6.) Strøm LED'en Lyser Hvid når enheden er "Tændt" Lyser orange efter nedtællingen på 60 sekunder, indtil klemmerne fjernes fra bilbatteriet, eller GB251 slukkes igen og tændes igen.

7.) Lystilstandsknap Skifter det ultraklare LED-lys via 7 lysindstillinger: 100% > 50% > 10% > SOS > Blink > Strobe > Fra

8 . Voltmeter / nedtællingstimer Det indbyggede voltmeter læser spændingen af køretøjets batteri for forbedret diagnostik og fejlfinding. Voltmeteret vil automatisk læse spændingen for et batteri (eller batterisystem), når batteriklemmerne er tilsluttet, selvom enheden er slukket. Voltmeteret læser spændingen mellem ~3V og ~30V. Hvis det tilsluttede batteri er under 3V, vises ingenting. Hvis spændingen er så lav, er der sandsynligvis en belastning på batteriet, såsom forlygter eller AC-ventilator, der skal lukkes, før du forsøger at starte bilen. Mens enheden er tændt, og efter at et batteri er detekteret, viser voltmeteret nedtællingen på 60 sekunder for timeout.

9.) Boost LED Lyser hvid, når Boost er aktiv. Hvis enheden er korrekt tilsluttet et batteri, registrerer GB251 automatisk et batteri og går i Boost-tilstand (LED blinker Hvid, når funktionen manuel overstyring er aktiv).

10.) Manuel overstyringsknap. For at aktivere, tryk og hold den nede i tre (3) sekunder. **ADVARSEL: Deaktiverer sikkerhedsbeskyttelse og slår manuelt Boost "Til". Kun til brug, når en batterispænding er for lav til at blive detekteret.**

Fejlfinding

	Fejl	Årsag / Løsning
⚠	Fejl LED: Fast rød	Omvendt polaritet /Slår batteriets tilslutninger tilbage.
	Fejl LED: Blinker rød med kabler forbundet korrekt	Kortslutning registreret på batteriklemmer. / Få batteriet kontrolleret af en professionel.
	Enkelt (1) blink	Kortslutning registreret på batteriklemmer. / Fjern alle belastninger, tilslut klemmerne til batteriet igen.
	Dobbelt (2) Flash	Høj spænding registreret ved klemmer (GB251 er tilsluttet et spændingssystem større end 24V).
	Firedel (4) Flash	Fejl ved timeout-opladning (dvs. GB251 har været i bulk-opladning for længe)
	Femdobbel (5) Flash	XGC OUT over strøm (dvs. mere end 15 ampere trækkes fra XGC OUT-porten)
	Sextuple (6) Flash	BMS (Battery Management System) Fejl. (Sluk GB251 "fra" og "tændt" igen for at rydde. Kontakt kundesupport, hvis problemet fortsætter)
🔥+	Hot LED: Fast	Enheden er fuldt operationel, men nærmer sig øvre temperaturgrænse. / Lad enheden køle af.
	Hot LED: Blinker	Enheden er for varm til at starte, kun lommelygten er tilgængelig i denne tilstand. / Lad enheden køle af.
	Hot LED: Blinker, og alle LED'er slår fra	Enheden er for varm til at sætte i gang med starthjælp, eller til at bruge andre funktioner. / Lad enheden køle af og bring enheden i et køligere miljø.
❄️	Cold LED: Fast	Enheden er fuldt operationel, men nærmer sig en lavere temperaturbegrænsning. / Lad enheden varme op.
	Cold LED: Blinker	Enheden er for kold til at starte, kun lommelygten er tilgængelig i denne tilstand / Lad enheden varme op.
	Cold LED: Blinker, og alle LED'er slår fra	Enheden er for kold til at sætte i gang med starthjælp, eller til at bruge andre funktioner. / Lad enheden varme op, og flyt enheden til varmere omgivelser.
	Boost lys tændes ikke med kabler korrekt tilsluttet	Tilsluttet batteri er under 3 volt /Fjern alle belastninger, og prøv igen, eller brug manuel overstyringstilstand.

Tekniske specifikationer

Internt batteri: 137Wh Litium-ion	12V (Indgang): 12V/5A (14V Max)
Top strøm bedømmelse: 3000A	12V (Udgang): 12V, 15V Max
Driftstemperatur: -20°C til +50°C	Kabinetbeskyttelse: IP65 (m/porte lukket)
Opladningstemperatur: 0°C til +40°C	Køling: Naturlig konvektion
Stuetemperatur: -20°C til +50°C (Gennemsnitstemperatur)	Dimensioner (L x B x H): 31,75 x 20,83 x 3,39 Centimeter
USB (Udgang): 5V, 2.1A	Vægt: 6,19 Kg (13,65 lb)

NOCO One (1) års begrænset garanti

NOCO virksomheden ("NOCO") garanterer, at dette produkt ("Produktet") er fri for fejl i materiale og udførelse, i en periode på et (1) år fra købsdatoen ("Garantiperioden"). For mangler, der indberettes i garantiperioden, vil NOCO efter eget skøn og underlagt NOCOs tekniske supportanalyse enten reparere eller udskifte defekte Produkter. Udskiftningsdele og produkter vil blive brugt som nyt eller anvendeligt, sammenlignelige i funktion og ydeevne til den oprindelige del og garanteret for den resterende del af den oprindelige garantiperiode.

NOCO'S ANSVAR ER HERUNDER UDTRYKKELT BEGRÆNSET TIL UDSKIFTNING ELLER REPARATION. UNDER DEN MAKSIMALE LOVGIVNING, VIL NOCO IKKE VÆRE ANSVARLIG FOR KØBEREN AF PRODUKTET, ELLER NOGEN TREDJEPART, FOR SÆRLIGE, INDIREKTE, KONSEKVENTE ELLER EKSEMPLARISKE FØLGESKADER, INKLUSIVE, MEN IKKE BEGRÆNSET TIL; TABT ARBEJDSFORTJENESTE, EJENDOMSSKADE, ELLER PERSONSKADE RELATERET TIL PRODUKTET PÅ NOGEN MÅDE, UANSET ÅRSAG, SELVOM NOCO HAR KENDSKAB TIL MULIGHEDEN FOR SÅDANNE SKADER. GARANTIERNE HERI GÆLDER FOR ALLE ANDRE GARANTIER, INKLUSIVE, OG UDEN BEGRÆNSNING, DE UNDERFORSTÅEDE GARANTIER FOR SALGBARHED OG EGNETHED TIL ET BESTEMT FORMÅL, OG DEM DER OPSTÅR UNDER FORHANDLING. I TILFÆLDE AF AT GÆLDENDE LOVE INDFØRER GARANTIER, BETINGELSER ELLER FORPLIGTELSE DER IKKE KAN UDELUKKE ELLER ÆNDRES, GÆLDER DENNE PARAGRAF I DET STØRSTE OMFANG DISSE LOVE TILLADER.

Denne begrænsede garanti er udelukkende til gavn for den oprindelige køber af produktet fra NOCO eller fra en NOCO-godkendt forhandler eller distributør, og kan ikke overdrages eller videregives. For at kræve et garantibevis skal køberen: (1) anmode om og få et returmærke autorisationsnummer ("RMA") og retureringsstedoplysninger ("Retureringsstedet") fra NOCO Support, via e-mail support@no.co eller ved at ringe til 1.800.456.6626 og (2) Indsende produktet, inklusive RMA-nummer, kvittering eller garantibegrænsning (gebyr kun påkrævet, hvis der ikke ydes kvittering) på 45% af MSRP af det defekte produkt ("Garantigebyr") (RMA vil inkludere gældende garantibeløb) til returstedet. SEND IKKE PRODUKTET IND, UDEN GODKENDELSE AF EN RMA ANSAT FRA NOCO SUPPORT.

ORIGINALKØBEREN ER ANSVARLIG (OG SKAL FORBEREDE) ALLE EMBALLAGE OG TRANSPORTKOSTNINGER TIL AFSENDELSE AF PRODUKTER TIL SERVICE.

VED MANGEL PÅ OVERHOLDELSE AF OVENSTÅENDE ER DENNE BEGRÆNSEDE GARANTI ANNULLERET, OG GÆLDER IKKE FOR PRODUKTER, DER: a) misbruges, mishandles, udsættes for misbrug eller uforsigtig handling, ulykke, ukorrekt opbevares eller anvendes under ekstreme spændinger, temperaturer, stød eller vibrationer ud over NOCO's anbefalinger for sikker og effektiv brug; b) ukorrekt installeret, betjent eller vedligeholdt c) er modificeret uden udtrykkelig skriftligt samtykke fra NOCO d) er blevet adskilt, ændret eller repareret af andre end NOCO e) hvis mangler er anmeldt efter garantiperioden

DENNE BEGRÆNSEDE GARANTI DÆKKER IKKE: (1) Normal slitage; (2) kosmetisk skade, der ikke påvirker funktionaliteten eller (3) Produkter, hvor NOCO serienummeret mangler, ændres eller defaceres.

BETINGELSER FOR DEN BRUGERVENLIGE GARANTI

Disse betingelser gælder kun for produktet i garantiperioden. Den brugervenlige garanti annulleres enten efter forløbet tid fra købsdato (forløbet tid fra serienummerdato, hvis intet bevis for køb) eller efter betingelserne, der er anført tidligere i dette dokument. Returner produkt med den relevante dokumentation.

Med kvittering:

1 år: INGEN gebyr. Med bevis på købet begynder garantiperioden på købsdatoen.

Uden kvittering:

1 år: INGEN gebyr. Uden købsbevis begynder garantiperioden på serienummerdatoen.

Du kan registrere dit NOCO-produkt online på: no.co/register. Hvis du har spørgsmål vedrørende din garanti eller dit produkt, skal du kontakte NOCO Support (e-mail og telefonnummer ovenfor) eller skrive til: NOCO Company, ved 30339 Diamond Parkway, # 102, Glenwillow, OH 44139, USA.

NOCO BOOST[®] MAX[™] GB251+



FARE

Bruksveiledning og garanti



LES OG GJØR DEG FORSTÅTT MED ALL SIKKERHETSINFORMASJON FØR DU BRUKER PRODUKTET. Dersom du ikke følger disse sikkerhetsinstruksjonene, kan det forårsake ELEKTRISK STØT, EKSPLOSJON og/eller BRANN; som kan medføre ALVORLIGE PRODUKT-/PERSONSKADER og DØD.



Risiko for elektrisk støt. Produktet er et elektrisk apparat som kan forårsake støt og alvorlige skader. Ikke klipp strømkabler. Ikke utsett apparatet for vann.



Sprengfare. Batterier som ikke overvåkes, ikke er kompatible eller som er skadet, kan eksplodere dersom de brukes med dette produktet. Sørg for at produktet alltid er under oppsyn under bruk. Aldri forsøk å jumpstarte et skadet eller frossent batteri. Produktet må kun brukes med batterier som er egnet og bruker anbefalt spenningsstyrke. Produktet må kun brukes på godt ventilerte områder.



Brannfare. Produktet er et elektrisk apparat som avgir varme og kan forårsake brann. Ikke dekk til produktet. Ikke røyk eller bruk apparater som kan avgi elektrisk gnist eller medføre brann under bruk av produktet. Oppbevar produktet unna antennerlige materialer.



Risiko for øyenskade. Produktet må kun brukes med vernebriller. Batterier kan eksplodere og følgelig fyre av skadelige partikler. Batterisyre kan irritere hud og øyner. Dersom syren kommer i kontakt med hud eller øyner, må påvirkede områder skylles med rent vann og det må tas kontakt med et giftkontrollsentral.



Risiko for sprengfarlige gasser. Det er farlig å jobbe i miljø med bly-syre. Batterier genererer normalt sprengfarlige gasser under ordinære forhold. For å minske risiko for batterieksplisjon må en følge alle sikkerhetsinstrukser, samt de som utgis av batteriproduzenten og produsenten av ethvert utstyr som brukes i nærheten av batteriet. Gå over alle advarselsmerker på produkter det gjelder og på motoren.

Norsk

For ytterligere informasjon og hjelp, besøk:

www.no.co/support

Viktige sikkerhetsadvarsler

FORSIKTIG

Manuell modus deaktiverer alle sikkerhetstiltak. Hvis manuell modus brukes feil og/eller mot vår anbefalte bruk, kan det føre til personskader eller dødsfall og vil ugyldiggjøre garantien. Fare for brann, eksplosjon og brannskader. Ikke demonter, knus, varm opp over 60 °C eller brenn. Denne enheten er beregnet for midlertidig bruk utendørs, og det skal utvises rimelig forsiktighet når du bruker enheten i våte forhold.

ADVARSEL

Du må ikke overlade det interne batteriet. Les bruksanvisningen. Ikke røyk, tenn fyrstikker eller lag gnister i nærheten av strømforsyningen. Du må kun lade det interne batteriet i et godt ventilt område når det ikke er i bruk.

FORSIKTIG

Risiko for personskade. Ikke bruk dette produktet hvis strømledningen eller batterikablene er skadet. Denne enheten er ikke beregnet for bruk i et kommersielt reparasjonsanlegg, og enheten er ment å oppbevares innendørs når den ikke er i bruk. Enheten skal ikke lagres eller forlates utendørs når den ikke er i bruk.

Forslag 65. Batterikoblinger, terminaler og relaterte tilbehør inneholder kjemikalier; blant annet bly. I delstaten California klassifiseres disse materialene som kreftfremkallende og det er bevist at de kan forårsake fosterskader og andre fruktbarhetskomplikasjoner. **Personlige forholdsregler.** Produktet må kun brukes hensiktsmessig. Produktet må brukes i nærheten av andre som er nærme nok til å høre deg eller hjelpe deg dersom det skulle oppstå en nødsituasjon. Sørg for at du har rent vann og såpe i nærheten, i tilfelle du kommer i kontakt med batterisyren. Bruk vernetøy og -briller til arbeid i nærheten av et batteri. Vask alltid hendene etter håndtering av batterier og relaterte materialer. Ikke håndter eller ha på deg noen metallgjenstander under arbeid med batterier; dette innebærer verktøy, armbåndsurs og smykker. Dersom en metallgjenstand treffer et batteri, kan det forårsake gnist eller kortslutning som kan medføre elektrisk støt, brann og/eller eksplosjon og eventuelt resultere i produkt-/personskader og død. **Mindreårig.** Dersom "Kundens" hensikt er å la en mindreårig bruke produktet, er det innforstått at den myndige kunden vil oppgi grundige instruksjoner og forholdsregler for bruk til enhver mindreårig bruker. "Kunden" anses ansvarlig for eventuelle forsømmelser på dette området ved eventuelle søksmål mot NOCO for ikke-hensiktsmessig bruk eller misbruk av en som er mindreårig. **Kvelerisiko.** Tilbehør kan utsette barn for kvelerisiko. Hold barn under oppsyn i nærheten av produktet eller dets tilbehør. Produktet er ingen leke. **Håndtering.** Produktet skal håndteres forsiktig. Produktet kan bli skadet hvis det utsettes for slag og støt. Ikke bruk

et produkt med skader; inkludert, men ikke begrenset til, sprekker i dekselet eller slitte kabler. Ikke bruk produktet med en slitt kabel. Produktet kan ta skade av fukt og væsker. Ikke håndter produktet eller dets elektriske komponenter i nærheten av noen form for væske. Produktet skal kun oppbevares og brukes i tørre omgivelser. Ikke bruk produktet dersom den har blitt våt. Dersom produktet blir vått under bruk, må det kobles fra batteriet umiddelbart og ikke brukes. Ikke dra i kabler for å koble fra produktet. Modifiseringer. Ikke forsøk å endre, modifisere eller reparere noen av produktets deler. Demontering av produkt kan medføre produkt-/personskader og død. Opphør all bruk av et produkt som har blitt skadet, får funksjonsfeil eller kommer i kontakt med væske, og ta kontakt med NOCO. Produktets garanti er ikke lenger gyldig dersom produktet har blitt modifisert. **Tilbehør.** Produktet kan kun brukes med NOCO-godkjent tilbehør. NOCO tar ingen ansvar for brukerens sikkerhet eller skader som forekommer ved bruk av tilbehør som ikke er godkjent av NOCO. **Omgivelser og forhold.** Sørg for at produktet ikke utsettes for batterisyre. Ikke bruk produktet på et lukket sted eller på et sted med begrenset ventilasjon. Batterier må ikke plasseres oppå produktet. Kabler skal plasseres slik at de ikke kommer i kontakt med bevegelige maskindeler (inkludert lokk og dører) og bevegelige motordeler (inkludert vifter og trinser), da dette kan medføre en potensielt skadelig eller dødelig risiko. **Driftstemperatur.** Produktet er utviklet for å virke i temperaturforhold mellom -20°C til 50°C. Ikke bruk apparatet utenfor dette temperaturomfanget. Aldri jumpstarte et frossent batteri. Opphør all bruk av produktet umiddelbart dersom batteriet blir varmere enn normalt. **Oppbevaring.** Ikke bruk eller oppbevar produktet på steder med mye støv eller andre luftbårne materialer. Produktet skal oppbevares på en flat og stabil overflate for å sikre at det ikke faller over ende. Produktet skal oppbevares under tørre forhold. Temperaturomfang for oppbevaring: -20 °C til 50 °C (0 °C ~ +25°C gjennomsnittstemperatur). Aldri overskrid 80°C, uansett situasjon. **Kompatibilitet.** Produktet er kun kompatibelt med 12-volts blysyre-batterisystemer. Ikke bruk produktet sammen med andre batterityper. Jumpstart av batterier med andre batterikjemikalier kan føre til personskade, død eller materielle skader. Kontakt batteriproduzenten før du prøver å jumpstarte batteriet. Ikke prøv å jumpstarte et batteri hvis du er usikker på batteriets spesifikke kjemi eller spenning. **Batteriet.** Produktets innebygde litium-ion-batteri skal kun skiftes ut av NOCO og kan ikke gjenvinnes med husholdningsavfall. Du må aldri forsøke å skifte ut batteriet selv eller håndtere et skadet eller lekkende litium-ion-batteri. Batteriet må aldri kasseres sammen med husholdningsavfall. Under statlige og føderale lover og forskrifter er det ulovlig å kassere batterier med husholdningsavfall. Oppbrukte batterier må kun kasseres på lokale batterigjenvinningsentre. Dersom produktets batteri har blitt overopphetet, deformert, avgir en duft, fått kutt eller gjennomgår eller viser tegn til unormal drift, ta kontakt med NOCO og opphør all bruk av produktet umiddelbart. **Batterioplading.** Lad produktet med den medfølgende 12 VDC-billaderen eller XGC4-veggladere. Ikke bruk generiske strømforsyninger eller adaptere fra tredjeparter da disse kan utgjøre en alvorlig elektrisk risiko som kan føre til personskade samt skader på Enheten og eiendeler. Bruk av skadede kabler eller ladere, eller lading i luftfuktige omgivelser kan føre til elektrisk støt. NOCO er ikke ansvarlig for brukerens sikkerhet, skader på Enheten eller skader på eiendeler ved bruk av tilbehør eller strømforsyninger som ikke er godkjent av NOCO.

Ved bruk av XGC4-veggladeren må du forsikre deg om at strømpluggen er satt helt inn i adapteren før du kobler den til en stikkontakt. Strømadapteren kan bli varm ved normal bruk, og langvarig hudkontakt kan forårsake kroppsskader. Sørg for at det alltid er tilstrekkelig ventilasjon rundt strømadapteren under bruk. For å sikre maksimal batterilevetid må du unngå å lade produktet i mer enn én uke av gangen, da overlading kan forkorte batteriets levetid. Over tid vil et produkt som ikke har vært i bruk bli utladet og må lades opp på nytt før bruk. Koble produktet fra strømkilder når det ikke er i bruk. Bruk produktet bare til det tiltenkte formål. **Medisinske apparater.** Produktet kan avgi elektromagnetisk stråling. Produktet inneholder magnetiske komponenter som kan forstyrre pacemakere, defibrillatorer og andre medisinske apparater. Disse elektromagnetiske feltene kan forstyrre pacemakere og andre medisinske apparater. Ta kontakt med en lege før du bruker produktet dersom du bruker medisinske apparater; som f.eks. en pacemaker. Hvis du mistenker at produktet forstyrrer et medisinsk apparat, må du slutte å bruke produktet umiddelbart og ta kontakt med en lege. **Medisinske lidelser.** Hvis du lider av medisinske komplikasjoner som du tror produktet har en innvirkning på; blant annet i forbindelse med anfall, bevissthetstap ("sviming") og øyeplager (anstrengte øyner), må du ta kontakt med legen før du bruker produktet. Bruk av en integrert, kraftig lommelykt, innebærer risiko i forbindelse med lysfølsomhet. Når lyset benyttes i strobemodus, kan det forårsake anfall hos pasienter med fotosensitiv epilepsi – som videre kan føre til alvorlige skader eller død.

Lys. En kan få permanente øyenskader av å stirre direkte på lyset fra lommelykten. Produktet er utstyrt med en kraftig, prefokusert LED-lampe som avgir en kraftig lysstråle ved høyeste innstilling. **Rengjøring.** Produktet må skrus av før noen forsøker å rengjøre eller vedlikeholde den. Rengjør og tørk av produktet umiddelbart dersom det kommer i kontakt med væsker eller skitnes til av noe annet. Bruk en myk, løfri klut (mikrofiber). Sørg for at det ikke kommer fukt på åpninger/sprekker. **Sprengfarlige omgivelser.** Følg alle varslinger og instruksjoner. Ikke operer produktet i miljø med sprengfarlige midler. Dette innebærer påfyllingssteder for drivstoff og rom med kjemikalier eller partikler som korn, støv eller metallstøv. **Aktiviteter med alvorlige følger.** Produktet er ikke tiltenkt for bruk i situasjoner hvor funksjonssvikt kan føre til skader, alvorlige miljøskader eller død. **Radiofrekvente forstyrrelser.** Produktet er designet, testet og produsert til å samsvare med reguleringer for radiosignaler. Produktets radiosignaler kan ha en negativ innvirkning på annet elektronisk utstyr og forårsake funksjonssvikt. **Modellnummer: GB251** Apparatet er i samsvar med FCC-regler, del 15. Apparatets drift er gjenstand for følgende: (1) apparatet kan ikke medføre skadelige forstyrrelser og (2) apparatet må kunne motta alle eventuelle forstyrrelser, inkludert forstyrrelser som kan forårsake funksjonssvikt. OBS: Apparatet har gjennomgått prøver som bekrefter at den overholder angitte begrensninger for Klasse A-digitale apparater, i samsvar med FCC-regler, del 15. Reguleringene er utviklet for å sikre en rimelig beskyttelse mot skadelige forstyrrelser dersom utstyret brukes i kommersielle miljø. Utstyret genererer, bruker og kan avgi radiofrekvenser, og kan dermed ha en skadelig innvirkning på radiokommunikasjoner dersom utstyret ikke installeres og brukes i samsvar med instruksjoner. Utstyret vil mest sannsynlig forårsake skadelige forstyrrelser dersom det brukes i boligområder. I slike tilfeller er det på brukerens ansvar å korrigere forstyrrelsene.

Bruerveiledning

Trinn 1: Lade GB251.

GB251 leveres delvis oppladet og må lades opp skikkelig før bruk. Koble GB251 ved hjelp av 12 VDC-billaderen eller XGC4-vegggladeren til 12V IN-kontakten. Ladetiden for en GB251 vil variere basert på utladningsnivået og strømkilden som brukes. Faktiske resultater kan variere som følge av batteriforhold og utladningsnivå.

Batteriets ladenivå indikeres av LED-lamper under opplading. Under oppladingen, pulserer de fire LED-lysene sakte av og på inntil de begynner å lyse uavbrutt. Når batteriet er fulladet, lyser den grønne 100%-lampen uavbrutt. 25%-, 50%- og 75%-lampene skrus av. 100%-lampen vil av og til pulserer for å indikere vedlikeholdslading.

Trinn 2: Koble til batteriet.

Les og forstå kjøretøyets håndbok nøye angående spesifikke forholdsregler og anbefalte metoder for å jumpstarte kjøretøyet. Forsikre deg om at du kjenner til spenningen og kjemien til batteriet ved å lese batteriets bruksanvisning før du bruker dette produktet. GB251 er kun beregnet for jumpstart av 24-volts blysyre-batterisystemer. Før du kobler til batteriet, må du forsikre deg om at du har et 24-volts blysyre-batterisystem. GB251 er ikke egnet for noen annen batteritype. Identifiser riktig polaritet på batteriterminalene. Den positive batteriterminalen er vanligvis merket med disse bokstavene eller dette symbolet (POS, P, +). Den negative batteriterminalen er vanligvis merket med disse bokstavene eller dette symbolet (NEG, N, -). Du må aldri koble til forgasseren, drivstoffledningene eller tynne metalldele. Instruksjonene nedenfor gjelder for et negativt jordingssystem (mest vanlig). Hvis kjøretøyet ditt har et positivt jordingssystem (meget uvanlig), les kjøretøyets brukermanual for riktige instruksjoner for jumpstart.

1.) Koble den positive (rød) batteriklemmen til den positive (POS, P, +) batteripolen og den negative (svart) batteriklemmen til den negative (NEG, N, -) batteripolen eller kjøretøyets karosseri.

Oppladingstid: | Ladeinformasjon:

5hr

56W

NO

Internt batterinivå



25% 50% 75% 100%

Trinn 3: **For å jumpstarte.**

- 1.)** Sørg for at alle elektriske komponenter (frontlykter, radio, klimaanlegg, osv.) er skrudd av på kjøretøyet før du forsøker å jumpstarte batteriet.
- 2.)** Trykk på av/på-knappen for å starte jumpstarteren, og alle lysdiodelene vil blinke én gang. Hvis du har koblet til batteriet riktig vil White Boost-lysdioden og lysdiodelene for batterilading lyses opp i rekkefølge. Så snart et batteri blir oppdaget vil det startes en timeout-nedteiling på 60 sekunder.
- 3.)** Se om du får start på kjøretøyet. De fleste kjøretøy starter opp umiddelbart. Noen kjøretøy må være koblet til GB251 i opptil 30 sekunder før de kan starte. Vent 20-30 sekunder og prøv på nytt dersom kjøretøyet ikke starter med en gang. Du må aldri jumpstarte mer enn fem (5) ganger på rad i en femten (15) minutters periode. La GB251-enheten hvile i femten (15) minutter før du prøver å starte bilen på nytt.
- 4.)** Når kjøretøyet starter opp, kan du koble fra batteriklemmene og pakke ned GB251-enheten.

60-sekunders timeout.

Så snart et batteri blir oppdaget vil det startes en timeout-nedteiling på 60 sekunder. Etter at det har gått 60 sekunder vil starthjelpfunksjonen deaktiveres. Boostlampen vil slå seg av og batteriets interne ladelamper viser enhetens gjeldende ladenivå. For å tilbake stille starthjelpfunksjonen trykker du på strømknappen for å slå av enheten. Trykk inn av-/på-knappen igjen for å slå på enheten og starte starthjelpfunksjonen på nytt.

OBS.

60 SEKUNDERS NEDTEILING ER DEAKTIVERT NÅR DU BRUKER MANUELL OVERSTYRING. DET VIL FORTSETTE Å LEVERES STRØM NÅR MANUELL OVERSTYRING ER AKTIV. FOR Å MAKSIMERE ANTALL OPPSTARTER MED STARTHJELP ANBEFALES DET Å SLÅ AV BOOST-ENHETEN SÅ SNART KJØRETØYET HAR STARTET.

Lavspente batterier og manuell overstyring

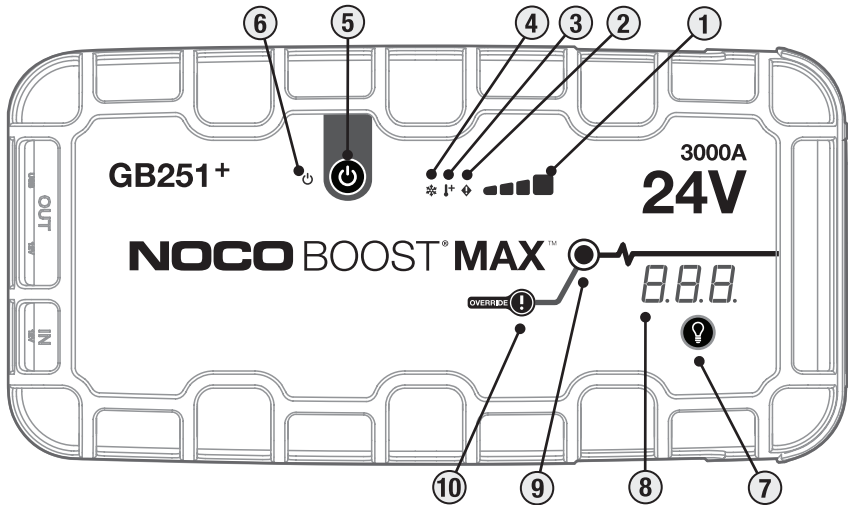
GB251 er utformet for å starte 24-volts blysyre-batterisystemer ned til 2 volt. Hvis batteriet er under 2 volt, vil boost-lysdioden være «av». Dette indikerer at GB251 ikke oppdager et batteri. Hvis du har behov for å jumpstarte et batteri under 2 volt, finnes det en manuell overstyringsfunksjon som lar deg tvinge jumpstarteren til å starte. Hvis batteriet er under 2 volt, vil boost-lysdioden være av og voltmeteret vil ikke vise noen spenning.

OBS.

VÆR EKSTREMT VARSOM NÅR DU BRUKER DENNE MODUSEN. DENNE MODUSEN ER KUN BEREGNET FOR 24 VOLTS BLYSYRE-BATTERISYSTEMER. BÅDE GNISTBESKYTTELSEN OG BESKYTTELSEN MOT OMVENDT POLARITET VIL VÆRE DEAKTIVERT. SJEKK BATTERIETS POLARITET NØYE FØR DU BRUKER DENNE MODUSEN. IKKE LA DE POSITIVE OG NEGATIVE BATTERIKLEMMENE BERØRE ELLER KOBLES TIL HVERANDRE, ETTERSOM PRODUKTET VIL GENERERE GNISTER. DENNE MODUSEN BRUKER VELDIG HØY STRØM (OPP TIL 3000 AMPERE) SOM KAN FORÅRSAKE GNISTER OG HØY VARME HVIS DEN IKKE BRUKES RIKTIG. HVIS DU ER USIKKER PÅ OM DU BØR BRUKE DENNE MODUSEN BØR DU AVSTÅ OG SØKE PROFESJONELL HJELP.

For å slå på USB- og 12V-enhetene.

GB251 har (2) USB-OUT-kontakter og en 12 V-OUT-kontakt (12V AUX / sigarettnerkontakt). Koble til en hvilken som helst standard USB-enhet eller 12 V-enhet (opp til 15 A) og skru GB251 «på» for å begynne å levere strøm til enhetene dine.



Interface

1.) Internt batterinivå Indikerer ladningsnivået på det interne batteriet.

2.) Feil-lampen ("Error") Lyser rødt hvis omvendt polaritet oppdages, eller blinker "på" og "av" i forskjellige sekvenser (fra 1 til 6 blink) for å overføre feilforhold.

3.) Hot LED lyser fast rødt; enheten er fullt operativ, men nærmer seg øvre temperaturgrense. Blinkende rødt enheten er for varm til å starte, bare lommelykten er tilgjengelig i denne tilstanden.

4.) Kald LED lyser fast blå; enheten er fullt operativ, men nærmer seg lavere temperaturgrense. Blinkende blått; enheten er for kald til å starte, bare lommelykten er tilgjengelig i denne tilstanden.

5.) Av-/på-knappen ("Power") Trykkes for å skru enheten av og på.

6.) "Power"-lampen Lyser hvitt når enheten er på. Lyser oransje etter nedtellingen på 60 sekunder til klemmene fjernes fra bilbatteriet eller GB251 er slått av og på igjen.

7.) Lysmodusknapp; for å veksle mellom LED-lysets 7 ulike moduser: 100 % > 50 % > 10 % > SOS > Pulsere > Strobe > Av

8 . Voltmeter / Nedtellingstimer Det innebygde voltmeteret måler spenningen på kjøretøyets batteri for å tilrettelegge for avansert diagnostikk og feilsøking. Voltmeteret måler automatisk spenningen på ethvert batteri (eller batterisystem) når batteriklemmene er koblet til, selv når enheten er av. Voltmeteret måler spenning mellom ~3V and ~30V. Ingenting vises dersom spenningsnivået på batteriet er under 3V. Spenningen kan vises så lav dersom elektriske komponenter som f.eks. frontlykter og/eller klimaanlegget er på og tapper batteriet. Skru disse av før du forsøker å starte kjøretøyet. Mens enheten er på og etter at et batteri er oppdaget, viser voltmeteret nedtellingen på 60 sekunder for timeout.

9.) "Boost"-lampen Lyser hvitt når "Boost" er aktivert. Når enheten og batteriet er tilkoblet riktig, oppdages batteriet automatisk av GB251- enheten og "Boost"-modus blir aktivert (LED-lampen pulserer hvitt når manuell overstyringsfunksjon er på).

10.) Knapp for manuell overstyring. Trykk knappen og hold den inne i tre (3) sekunder for å aktivere. **ADVARSEL: Sikkerhetsvern deaktiveres og "Boost" tvinges på manuelt. Bare for bruk når en batterispenning er for lav til å bli oppdaget.**

Problemløsning

	Feil	Årsak/Løsning
⚠	Feil-indikator (LED): Kontinuerlig rød	Omvendt polaritet/Koble om på batterikoblingene.
	Feil-indikator (LED): Blinker rødt m/ kabler riktig tilkoblet	Kortslutning oppdaget på batteriklemmene. / Få batteriet sjekket av en profesjonell.
	Blinker én (1) gang	Kortslutning oppdaget på batteriklemmene. / Fjern alle tilkoblinger, koble klemmene til batteriet igjen.
	Dobbelt (2) Blits	Høyspenning oppdaget ved klemmer (GB251 er koblet til et spenningsystem større enn 24V).
	Firemanns (4) Blits	Ladningsavbruddsfeil (dvs. GB251 har vært i masselading for lenge)
	Femdobbel (5) Blits	XGC OUT over strøm (dvs. mer enn 15 ampere trekkes fra XGC OUT-porten)
⬇+	Sekstual (6) Blits	BMS (Battery Management System) Feil. (Slå GB251 av og på igjen for å fjerne. Kontakt kundesupport hvis problemet vedvarer)
	Varm LED: Solid	Enheden er fullt operativ, men nærmer seg øvre temperaturgrense. / La enheten avkjøles.
	Varm LED: Blinker	Enheden er for varm til å starte, bare lommelykten er tilgjengelig i denne tilstanden. / La enheten avkjøles.
❄	Varm LED: Blinker deretter alle lysdioder Av	Enheden er for varm til å hoppe i gang eller bruke andre funksjoner. / La enheten avkjøles, og sett enheten i kjøler miljø.
	Kald LED: Solid	Enheden er fullt operativ, men nærmer seg lavere temperaturgrense. / La enheten varme opp.
	Kald LED: Blinker	Enheden er for kald til å starte, bare lommelykten er tilgjengelig i denne tilstanden / La enheten varme seg opp.
❄	Kald LED: Blinker deretter alle lysdioder Av	Enheden er for kald til å hoppe i gang eller bruke andre funksjoner. / Tillat enheten å varme opp og ta enheten inn i et varmere miljø.
	“Boost”-lyset vil ikke skru på m/ kabler riktig tilkoblet	Tilkoblet batteri er under 3 volt/Skru av alt som tapper strøm og prøv på nytt, eller bruk manuell overstyringsmodus.

Tekniske spesifikasjoner

Internbatteri: 137Wh Litium-ion	12V (inntak): 12V/5A (14V Maks)
Toppstrøm: 3000A	12V (uttak): 12V, 15V Maks
Driftstemperatur: -20°C til +50°C	Verneklasse: IP65 (m/koblinger stengt)
Ladetemperatur: 0°C til +40°C	Nedkjøling: Naturlig konveksjon
Oppbevaringstemperatur: -20°C til +50°C (gj.snitt)	Dimensjoner (L x B x H): 31,75 x 20,83 x 3,39 Centimeter
USB (uttak): 5V, 2,1A	Vekt: 6,19 kilo (13,65 lb)

NOCO – Ettårig begrenset garanti

The NOCO Company ("NOCO") garanterer at dette produktet ("Produkt") ikke vil være defekt i forbindelse med materialer og produksjonsarbeid i en periode på ett (1) år fra kjøpsdato ("Garantiperiode"). Dersom defekter rapporteres under Garantiperioden, vil NOCO – etter eget skjønn og på bakgrunn av tekniske analyser – enten reparere eller erstatte det defekte Produktet. Reservedeler/-produkter vil enten være nye eller pent brukte, og fungere og yte likt som originaldelen. Delen/produktet dekkes ut den originale garantiperioden.

NOCOS ANSVAR HERUNDER BEGRENSES UTTRYKkelig TIL PRODUKTERSTATNING ELLER REPARASJON. TIL DEN GRAD DET ER TILLATT AV LOVEN, SKAL NOCO IKKE HOLDES ANSVARLIG OVENFOR ENHVER KJØPER AV PRODUKTET ELLER TREDJEPART FOR NOEN SPESIELLE, INDIREKTE, FØLGELIGE ELLER EKSEMPLARISKE SKADER, INKLUDERT, MEN IKKE BEGRENSET TIL, TAPTE PROFITTER, SKADER VED PERSONER ELLER EIENDOM, SOM PÅ NOEN MÅTE RELATERES TIL PRODUKTET, UANSETT ÅRSAKENS NATUR, SELV MED NOCOS FOREGÅENDE KJENNSKAP TIL RISIKOEN FOR SLIKE SKADER. GARANTIENE ANGITT HERI ERSTATTER ALLE ANDRE GARANTIER, UTTRYKkelige, IMPLISERTE, LOVPÅLAGTE ELLER ANDRE, INKLUDERT, UTEN BEGRENSNING, IMPLISERTE SALGBARHETSGARANTIER OG EGNETHET TIL SÆRSKILTE FORMÅL, SAMT ANDRE SOM FREMKOMMER I FORBINDELSE MED SALG, BRUK ELLER HANDEL. DERSOM GARANTIER, VILKÅR ELLER FORPLIKTELSE SOM DET IKKE ER MØJLIG Å EKSKLUDERE ELLER MODIFISERE INNFØRES UNDER GJELDENE LOWVERK, SKAL DETTE AVSNITTET FORTSATT VÆRE GYLDIG SÅ LANGT DET KAN TILLATES UNDER GJELDENE LOVER.

Denne begrensede garantien legges frem utelukkende til fordel for kjøperen som opprinnelig kjøpte Produktet fra NOCO eller en NOCO-godkjent forhandler eller distributør, og kan ikke tildeles eller overføres til andre. For å fremme et garantikrav må kjøperen: (1) sende forespørsel om, og anskaffe et RMA- eller returnummer (RMA – “return merchandise authorization”) og returadresse (“Return Location”) fra NOCO Support (NOCOs kundesenter) ved å sende e-post til support@no.co eller ringe 1.800.456.6626; og (2) sende inn Produktet med RMA-nummer, kvittering eller et garantigebyr (kun ved manglende kvittering) på 45 % av det defekte produktets listepriis (“Garantigebyret”) [RMA innebærer et gyldig Garantigebyrbeløp] til returadressen. IKKE SEND INN PRODUKTET UTEN FØRST Å HA ANSKAFFET ET RMA-NUMMER FRA NOCO SUPPORT.

OPPRINNELIG KJØPER ER ANSVARLIG FOR (OG MÅ FORHÅNDSBETALE) ALLE PAKKE- OG TRANSPORTUTGIFTER FOR SENDING AV PRODUKTER TIL GARANTIVERKSTEDET.

TIL TROSS FOR DET SOM ER NEVNT OVENFOR, ANSES DENNE BEGRENSEDE GARANTIEN SOM ANNULERT OG UGYLDIG FOR PRODUKTER SOM: (a) har vært misbrukt, mishandlet, utsatt for misbruk eller forsømmelig håndtering, uhell, blitt oppbevart feil eller brukt med ekstreme spenningsnivåer, temperaturforhold, støt eller vibrasjoner utover NOCOs anbefalinger for trygg og effektiv bruk; (b) feilaktig installasjon, drift eller vedlikehold; (c) er (eller har vært) modifisert uten uttrykkelig, skriftlig godkjenning fra NOCO; (d) har blitt demontert, endret eller reparert av andre enn NOCO; (e) det ikke har blitt rapportert om under Garantiperioden.

DENNE BEGRENSEDE GARANTIEN DEKKER IKKE: (1) vanlige slitasjer; (2) kosmetiske skader som ikke påvirker produktets funksjonalitet; eller (3) ethvert Produkt hvor NOCO-serienummeret mangler, er endret eller har blitt uleselig.

BETINGELSER FOR DEN PROBLEMFRIE GARANTIEN

Disse betingelsene gjelder bare for produktet mens garantiperioden er gyldig. Den problemfrie garantien er ugyldig enten etter forløpt tid fra kjøpsdato (forløpt tid fra serienummerdato dersom det mangler kjøpsbevis) eller fra betingelsene som er oppført tidligere i dette dokumentet. Returner produktet sammen med relevant dokumentasjon.

Med kvittering:

1 år: INGEN kostnad. Med kjøpsbevis starter garantiperioden på kjøpsdatoen

UTEN kvittering:

1 år: INGEN kostnad. Uten kjøpsbevis starter garantiperioden på serienummerdatoen.

Du kan registrere NOCO-produktet ditt på Internett: no.co/register. Dersom du har spørsmål angående garantien din eller produktet, kan du ta kontakt med kundesenteret vårt NOCO Support (e-postadresse og telefonnummer finner du ovenfor) eller skrive til: The NOCO Company, at 30339 Diamond Parkway, #102, Glenwillow, OH 44139 USA.

NOCO BOOST[®] MAX[™] GB251+



VAARATILANTEET



LUE HUOLELLISESTI KAIKKI TURVAOHJEET ENNEN TÄMÄN TUOTTEEN KÄYTTÖÖÄ. Näiden ohjeiden noudattamatta jättäminen voi aiheuttaa SÄHKÖISKUN, RAJÄHDYKSEN, TULIPALON, tai voi aiheuttaa VAKAVAN VAMMAN, HENGENVAARAN tai OMAISUUSVAHINGOJA.



Sähköiskun vaara. Tuote on sähkölaite, joka voi aiheuttaa sähköiskun ja aiheuttaa vakavia vammoja. Älä leikkaa virtajohtoja. Älä upota laitetta veteen tai anna sen kastua.



Räjähdysvaara. Valvomattomat, yhteensopimattomat tai vahingoittuneet akut voivat räjähtää, jos niitä käytetään laitteen kanssa. Älä jätä käytön aikana laitetta valvomatta. Älä yritä apukäynnistystä vahingoittuneelle tai jäätyneelle akulle. Käytä laitetta vain akuille, joissa on suositeltu jännite. Käytä laitetta hyvin ilmastoiduissa tiloissa.



Tulipalovaara. Tuote on sähkölaite, joka säteilee lämpöä ja voi aiheuttaa palovammoja. Älä peitä laitetta. Älä tupakoi tai käytä mitään sähköisen kipinän tai liekin lähdeä laitteen ollessa toiminnassa. Pidä laite poissa tulenaroista materiaaleista.



Silmävamman vaara. Käytä silmien suojausta laitetta käytettäessä. Akut voivat räjähtää ja aiheuttaa lentäviä roskia. Akkuhappo voi aiheuttaa silmien ja ihon ärsytystä. Huuhtelee välittömästi aineen kosketukseen joutuneet silmät tai iho juoksevalla puhtaalla vedellä.



Räjähdysvaara. Lyijyhapon läheisyydessä työskentely on vaarallista. Normaali akkutoiminta tuottaa räjähtäviä kaasuja. Vähentääksesi akun räjähdysvaaraa noudata kaikkia turvallisuusohjeita, joita akun valmistaja ja kaikkien muiden akun läheisyydessä käytettävien laitteiden valmistajat ovat julkaisseet. Tarkasta varoitusmerkinnät näistä tuotteista ja ajoneuvon moottorista.

Käyttöohjeet ja takuu

Suomalainen

Saat lisätietoja osoitteesta:

www.no.co/support

Tärkeitä turvallisuusvaroituksia

HUOMIO

Kaikki suojatoimenpiteet poistuvat käytöstä manuaalillassa. Asiattomasti ja/tai käyttösuosituksemme vastaisesti käytettynä se voi johtaa loukkaantumiseen tai kuolemaan ja mitätöi takuun. Räjähdyks- ja tulipalovaara ja palovamman mahdollisuus! Älä pura osiin, murskaa, kuumenna yli 60 °C tai polta. Laitte on tarkoitettu väliaikaiseen käyttöön ulkona. Kohtuullista huolellisuutta tulee noudattaa laitetta käytettäessä märissä olosuhteissa.

VAROITUS

Älä yllätaa sisään asennettua akkua! Lue käyttöohjeet. Älä tupakoi, sytytä tulitikkua tai aiheuta kipinöitä apukäynnistimen lähellä. Lataa sisäänrakennettua akkua vain hyvin ilmastoiduissa paikoissa sen ollessa pois käytöstä.

HUOMIO

Tapaturmavaara! Älä käytä tätä tuotetta, jos virtajohto tai akkukaapelit ovat vahingoittuneet. Laitetta ei ole tarkoitettu käytettäväksi kaupallisessa korjausyksikössä. Laitetta tulee säilyttää sisätiloissa, kun se ei ole käytössä. Laitetta ei saa säilyttää ulkona, kun se ei ole käytössä.

Esitys 65. Akut, päätteet ja niihin liittyvät lisävarusteet sisältävät kemikaaleja, myös lyijyä. Nämä materiaalit tiedetään aiheuttavan syöpää, sikiovaurioita ja muita lisääntymishäiriöitä. (Kalifornian osavaltio) **Henkilökohtaiset varotoimet.** Käytä laitetta vain käyttötarkoituksen mukaisesti. Toisen henkilön tulisi olla äänietäisyydellä tai riittävän lähellä saadaksesi avun hätätilanteessa. Pidä puhdasta vettä ja saippuaa lähellä akkuhapon saastuttamisen varalta. Käytä täydellistä silmien suojausta ja suojavaatteita, kun työskentelet akun lähellä. Pese kätesi aina akkujen ja niihin liittyvien materiaalien käsittelyn jälkeen. Älä käsittele tai käytä mitään metalliesineitä, kun työskentelet akkujen kanssa, kuten työkaluja, kelloja tai koruja. Jos metalli putoaa akkuun, se saattaa aiheuttaa kipinöitä tai aiheuttaa oikosulun ja tästä voi seurata sähköisku, tulipalo tai räjähdys, josta taas voi aiheutua loukkaantumista, hengenvaaraa tai omaisuusvahinkoja. **Alaikäiset.** Jos "ostaja" on tarkoittanut tuotteen alaikäisen käytettäväksi, hankintaikäinen aikuinen sitoutuu antamaan yksityiskohtaiset ohjeet ja varoitukset alaikäisille ennen käyttöä. Jos näin ei tehdä, käyttö on yksinomaan "Ostajan" vastuulla, joka sitoutuu korvaamaan NOCO:lle alaikäisen tahattoman tai tahallisen väärinkäytön. **Tukehtumisvaara.** Lisätarvikkeet voivat aiheuttaa lapsille tukehtumisvaaran. Älä jätä lapsia vartioimatta laitteen tai lisätarvikkeiden läheisyydessä. Laitte ei ole lelu. **Käsittely.** Käsittele laitetta varoen. Laitte voi vaurioitua, jos se joutuu allttiiksi iskuille. Älä käytä vaurioitunutta laitetta, jos siinä on esimerkiksi halkeamia kotelossa tai vahingoittuneita kaapeleita. Älä käytä laitetta, jossa virtajohto on

vaurioitunut. Kosteus ja nesteet voivat vahingoittaa laitetta. Älä käsittele laitetta tai muita sähköisiä osia minkään nesteen läheisyydessä. Säilytä ja käytä laitetta kuivissa tiloissa. Älä käytä laitetta, jos se on kastunut. Jos laite on jo käynnissä ja se kastuu, irrota se heti irti ajoneuvon akusta ja lopeta sen käyttö välittömästi. Älä irrota laitetta vetämällä kaapeleista. Muutokset. Älä yritä muuttaa, muokata tai korjata mitään laitteen osaa. Laitteen purkamisen voi aiheuttaa loukkaantumisen, hengenvaaran tai omaisuusvahinkoja. Jos laite vaurioituu, siinä on toimintahäiriöitä tai se joutuu kosketuksiin minkä tahansa nesteen kanssa, lopeta käyttö ja ota yhteys NOCO:n. Kaikki tuotteen muutokset mitätöivät takuun. **Lisätarvikkeet.** Tämä laite on hyväksytty käytettäväksi vain NOCO:n hyväksymien lisätarvikkeiden kanssa. NOCO ei ole vastuussa käyttäjän turvallisuudesta tai vahingoista, jos laitetta käytetään muiden kuin NOCO:n hyväksymien lisätarvikkeiden kanssa. **Työskentelypaikka.** Estä akkuhappoa joutumasta kosketukseen laitteen kanssa. Älä käytä laitetta suljetussa tilassa tai paikassa, jossa on rajallinen ilmanvaihto. Älä aseta akkua tuotteen päälle. Aseta käynnistyskaapelit siten, että vältyt vahingoilta, joita voivat aiheuttaa auton liikkuvat osat (kuten konepellit ja ovet), moottorien osat (kuten puhallinsiivekkeet, hihnat ja hihnapyörät) tai muut osat, jotka voivat aiheuttaa vaaratilanteen ja aiheuttaa loukkaantumisen tai hengenvaaran. **Käyttölämpötila.** Tämä laite on suunniteltu toimimaan -20°C - 50°C lämpötilassa. Älä käytä tämän lämpötila-alueen ulkopuolella. Älä yritä apukäynnistystä jäätyneelle akulle. Lopeta laitteen käyttö välittömästi, jos käynnistettävä akku kuumenee liiaksi. **Varastointi.** Älä käytä tai säilytä laitetta tiloissa, jossa on suuri pölypitoisuus tai muuta ilmateitse kulkeutuvaa materiaalia. Säilytä laite tasaisella, tukevalla alustalla, jossa se ei ole altis putoamiselle. Säilytä laite kuivassa paikassa. Varastointilämpötila on -20 °C - 50 °C (0°C – +40°C keskimääräinen lämpötila). Älä koskaan ylitä 80°C astetta missään olosuhteissa. **Yhteensopivuus.** Tuote on yhteensopiva vain 12 V akkujärjestelmien kanssa. Älä yritä käyttää tuotetta muuntajien akkujen kanssa. Muunlaisen kemian omaavien akkujen apukäynnistys voi johtaa loukkaantumiseen, kuolemaan tai aineellisiin vahinkoihin. Ota yhteyttä akun valmistajaan ennen kuin yrität akun apukäynnistystä. Älä apukäynnistä akkua, jos et ole varma akun kemiasta tai jännitteestä. **Laitteen akku.** Tuotteen sisäänrakennetun litiumioniakun saa vaihtaa vain NOCO ja se on kierrätettävä tai hävitettävä erillään kotitalousjätteestä. Älä yritä vaihtaa akkua itse, äläkä käsittele vahingoittunutta tai vuotavaa litiumioniakkua. Älä koskaan hävitä akkua kotitalousjätteen mukana. Akkujen hävittäminen kotitalousjätteiden mukana on lainvastaista ympäristölainsäädännön ja -säädösten mukaan. Vie aina käytetyt akut paikalliseen akkujen kierrätykseen. Jos laitteen akku on huomattavan kuuma, tuottaa hajua, on epämuodostunut, leikkaa tai toimii oudosti, lopeta välittömästi käyttö ja ota yhteyttä NOCO:on. **Laitteen akun lataaminen.** Lataa tuote oheisella 12 VDC autolaturilla tai XGC4-seinäalaturilla. Älä käytä tavallisia tai kolmansien osapuolten virtasovittimia, koska ne voivat aiheuttaa vakavan sähköiskuvaaran ja johtaa tapaturmaan tai laitteen vahingoittumiseen. Vahingoittuneiden kaapeleiden tai laturien käyttö tai lataaminen kosteissa olosuhteissa voi aiheuttaa sähköiskun. NOCO ei ole vastuussa käyttäjän turvallisuudesta, laitteen vahingoittumisesta tai aineellisista vahingoista, jos käyttäjä käyttää lisälaitteita tai tarvikkeita, joita NOCO ei ole hyväksynyt. Varmista, että vaihtovirtapistoke on kiinnitetty sovittimeen kunnolla ennen

kuin kytket sen virtalähteeseen XGC4-seinäalaturia käytettäessä. Virtasovitin voi lämmentä normaalin käytön aikana, ja pitkittynyt ihokosketus voi aiheuttaa loukkaantumisen. Varmista riittävä ilmanvaihto virtasovittimen lähistöllä käytön aikana. Parhaan akunkeston takaamiseksi vältä tuotteen lataamista yli viikon kerrallaan, koska ylilataaminen voi lyhentää akun kestoa. Käyttämättömän tuotteen lataus purkautuu ajan myötä, ja näin ollen se on ladattava uudelleen ennen käyttöä. Kytke laite irti virtalähteistä, kun se ei ole käytössä. Käytä tuotetta vain sille suunniteltuun tarkoitukseen. **Lääketieteelliset laitteet.** Laite voi säteillä sähkömagneettisia kenttiä. Laite sisältää magneettisia komponentteja, jotka voivat häiritä sydämentahdistimia, defibrillaattoreita tai muita lääkinnällisiä laitteita. Nämä sähkömagneettiset kentät voivat häiritä sydämentahdistimia tai muita lääkinnällisiä laitteita. Ota yhteyttä lääkäriisi ennen käyttöä, jos sinulla on lääketieteellisiä laitteita, kuten sydämentahdistimia. Jos epäilet, että laite häiritsee lääketieteellistä laitetta, lopeta tuotteen käyttö välittömästi ja ota yhteys lääkäriisi. **Terveydentila.** Jos sinulla on sellaisia lääketieteellisiä sairauksia, joihin tuotteen uskotaan vaikuttavan, kuten kouristuksia, pyörtymisiä, silmien rasitusta tai päänsärkyä, ota yhteys lääkäriisi ennen tuotteen käyttöä. Integroidun suuritehoisen taskulampun käyttö aiheuttaa valoherkkyystvaaran. Valon käyttö Strobe-tilassa (erittäin nopea vilkkuva valo) voi aiheuttaa kouristuksia henkilöille, joilla on valoherkkysepilepsia ja voi siten aiheuttaa vakavan loukkaantumisen tai hengenvaaran. **Valo.** Suora katsominen taskulampun valoon voi johtaa pysyvään silmävamman. Laite on varustettu suuritehoisella asetuskantalampulla, joka tuottaa suurimmassa asetuksessa voimakkaan valokeilan. **Puhdistus.** Sammuta laite ennen huoltoa tai puhdistusta. Puhdista ja kuivaa laite välittömästi, jos se joutuu kosketukseen nesteiden tai muiden epäpuhtauksien kanssa. Käytä pehmeää, nukkaamatonta (mikrokuituliinaa) kangasta. Vältä kosteuden joutumista aukkoihin. **Räjähdystvaara.** Noudata kaikkia varoitusmerkkejä ja ohjeita. Älä käytä laitetta missään sellaisissa paikoissa, joissa on mahdollisesti räjähdysaltis ilmakehä, kuten polttoainesäiliöt tai alueet, jotka sisältävät kemikaaleja tai hiukkasia, kuten viljaa, pölyä tai metallijauheita. **Riskialtis käyttö.** Tätä laitetta ei ole tarkoitettu käytettäväksi, jos tuotteen vikaantuminen voi johtaa loukkaantumiseen, hengenvaaraan tai vakaviin ympäristövahinkoihin. **Radiotaajuuksien häiriöt.** Laite on suunniteltu, testattu ja valmistettu noudattamaan radiotaajuuspäästöjä koskevia määräyksiä. Tällaiset tuotteen päästöt voivat vaikuttaa kielteisesti muiden elektronisten laitteiden toimintaan, mikä voi aiheuttaa toimintahäiriöitä. **Mallin numero: GB251** Tämä laite noudattaa FCC:n sääntöjen osan 15 vaatimuksia. Käyttö edellyttää seuraavia kahta ehtoa: (1) tämä laite ei saa aiheuttaa haitallisia häiriöitä, ja (2) tämän laitteen on hyväksyttävä vastaanotetut häiriöt, mukaan lukien häiriöt, jotka voivat aiheuttaa ei-toivottua toimintaa. **HUOMAUTUS:** Tämä laite on testattu ja sen on todettu täyttävän luokan A digitaalisen laitteen rajat FCC-sääntöjen osan 15 mukaisesti. Nämä raja-arvot on suunniteltu tarjoamaan kohtuullinen suoja haitallisilta häiriöiltä, jos laitteita käytetään kaupallisessa ympäristössä. Tämä laite tuottaa, käyttää ja voi säteillä radiotaajuusenergiaa, ja jos sitä ei ole asennettu ja käytetty käyttöohjeen mukaisesti, se voi aiheuttaa haitallisia häiriöitä radioviestintään. Tämän laitteen käyttäminen asuinalueella voi aiheuttaa haitallisia häiriöitä, jolloin käyttäjän on korjattava häiriöt omalla kustannuksellaan.

Käyttöohje

Vaihe 1: Lataa GB251.

GB251 toimitetaan osittain ladattuna, ja se on ladattava kokonaan ennen käyttöä. Kytke GB251 oheisella 12 V DC -autolaturilla tai XGC4-seinäalaturilla 12 V IN-liitäntään. GB251-laitteen latausaika vaihtelee latauksen tason ja käytetyn virtalähteen mukaan. Todelliset tulokset voivat vaihdella akun kunnon ja purkautumisen mukaan.

Ladattaessa akun varaustaso ilmaistaan latausmerkkivaloilla. LED-valot vilkkuvat hitaasti "On" ja "Off" ja tulevat vakaiksi kun kaikki neljä latausvaloa ovat päällä. Kun akku on ladattu täyteen, vihreä 100%:n LED-valo syttyy ja 25%, 50% ja 75% latausvalot sammuvat "Off". Ajoittain vihreä 100%:n LED-merkkivalo palaa, mikä osoittaa, että huoltolataus on käynnissä.

Vaihe 2: Yhdistä ajoneuvon akkuun.

Lue ja ymmärrä ajoneuvon valmistajan käyttöohjeet koskien ajoneuvon apukäynnistyksen erityisiä varotoimia ja suositeltuja toimintatapoja. Ota selville akun jännite ja kemia akun käyttöohjeista ennen tämän tuotteen käyttöä. GB251 on tarkoitettu vain 24 V akkujärjestelmien kaapelikäynnistykseen. Tarkista ennen akkuun kytkemistä, että kyseessä on 24 V akkujärjestelmä. GB251 ei sovellu käytettäväksi muuntityyppisten akkujen kanssa. Tarkista akun koskettimien oikea polaarisuus akusta. Akun positiivinen napa on yleensä merkitty kirjaimin tai symbolein (POS,P,+). Akun negatiivinen napa on yleensä merkitty kirjaimin tai symbolein (NEG,N,-). Älä kytke kaasuttimeen, polttoaineputkiin tai ohuisiin metallilevyosiin. Seuraavat ohjeet koskevat negatiivista maadoitusjärjestelmää (yleisin). Jos ajoneuvossasi on positiivinen maadoitusjärjestelmä (erittäin harvinainen), lue apukäynnistysohjeet ajoneuvon käyttöohjeista.

1.) Kytke positiivinen (punainen) akkupidike akun positiiviseen (POS,P,+) koskettimeen ja negatiivinen (musta) akkupidike akun negatiiviseen (NEG,N,-) koskettimeen tai ajoneuvon asennuspohjaan.

Uudelleenlatausaika: Latausluokitus:

5hr

56W

Sisäisen akun taso



25% 50% 75% 100%

Vaihe 3: **Apukäynnistys.**

- 1.)** Varmista ennen kuin yrität käynnistystä, että kaikki ajoneuvon toiminnot (ajovalot, radio, ilmastointi jne.) on sammutettu.
- 2.)** Aloita apukäynnistys painamalla virtapainiketta, jolloin kaikki LED-valot vilkkuvat yhden kerran. Jos kytkentä akkuun on tehty oikein, valkoinen boost LED syttyy ja akun lataamisen LED-valot vilkkuvat sarjana. Heti kun akku havaitaan, alkaa 60 sekunnin laskenta.
- 3.)** Yritä käynnistää ajoneuvo. Useimmat ajoneuvot käynnistyvät heti. Jotkut ajoneuvot saattavat edellyttää, että GB251 on liitettyä 30 sekuntia ennen käynnistysyritystä. Jos ajoneuvo ei käynnisty heti, odota 20-30 sekuntia ja yritä uudelleen. Älä yritä enempää kuin viittä (5) peräkkäistä apukäynnistystä viidentoista (15) minuutin sisällä. Anna GB251-laitteen levätä viidentoista (15) minuutin ajan ennen kuin yrität käynnistää ajoneuvoa uudelleen.
- 4.)** Ajoneuvon käynnistyttyä irrota akkupihdit ja poista GB251.

60 sekunnin aikakatkaistu.

Heti kun akku havaitaan, alkaa 60 sekunnin lähtölaskenta. Kun 60 sekuntia on kulunut, kaapelikäynnistystoiminto poistetaan. Boost LED sammuu, ja sisäänrakennetun akun lataus-LEDit ilmoittavat laitteen senhetkisen latauksen. Voit palauttaa kaapelikäynnistystoiminnon sammuttamalla laitteesta virran virtapainiketta painamalla. Voit käynnistää kaapelikäynnistystoiminnon uudelleen kytkemällä laitteeseen virran virtapainikkeella.

VAROITUS.

60 SEKUNNIN AIKAKATKAISU ON POIS KÄYTÖSTÄ MANUAALISEN OHITUKSEN TILASSA. VIRTAA SYÖTETÄÄN MANUAALISEN OHITUKSEN OLLESSA AKTIIVINEN. VOIT MAKSIMOIDA KAAPELIKÄYNNISTYSTEN LUKUMÄÄRÄN SAMMUTTAMALLA BOOST-LAITTEEN HETI, KUN AJONEUVO ON KÄYNNISTETTY.

Pienijännitteisest akut ja manuaalinen ohitus

GB251 on suunniteltu käynnistämään 24 V akkujärjestelmät 2 V:iin saakka. Jos akun jännite on alle 2 V, boost LED ei pala. Tämä osoittaa,

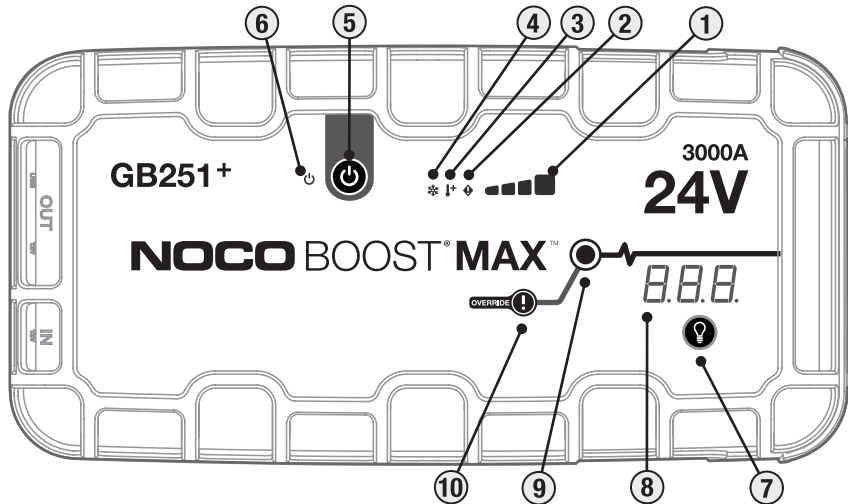
että GB251 ei tunnista akkua. Jos sinun täytyy käynnistää alle 2 V akku, voit käyttää manuaalista ohitustoimintoa, jonka avulla voit pakottaa apukäynnistyksen. Jos akku on alle 2 V, boost LED ei pala eikä jännitemittari näytä jännitettä.

VAROITUS.

KÄYTÄ TÄTÄ TILAA ERITTÄIN VAROVASTI. TÄMÄ TILA ON TARKOITETTU VAIN 24 V AKKUJÄRJESTELMILLE, KIPINÄ- JA OIKEANAPAIKUUDEN SUOJAUKSET EIVÄT OLE KÄYTÖSSÄ. KIINNITÄ ERITYISTÄ HUOMIOTA AKKUKYTKENTÖJEN OIKEANAPAIKUUTEEN ENNEN TÄMÄN TILAN KÄYTTÖÄ. ÄLÄ ANNA POSITIIVISTEN JA NEGATIIVISTEN AKUN PIDIKKEIDEN KOSKETAA TOISIAAN TAI KIINNITTYÄ TOISIINSA, SILLÄ SE TUOTTAA KIPINÖITÄ. TÄSSÄ TILASSA KÄYTETÄÄN ERITTÄIN KORKEAA SÄHKÖVIRTAA (JOPA 3000 A), MIKÄ VOI AIHEUTTAA KIPINÖITÄ JA KORKEITA LÄMPÖTILOJA, JOS LAITETTA EI KÄYTETÄ OIKEIN. JOS ET OLE VARMA TÄMÄN TILAN KÄYTTÖÄ, ÄLÄ KOKEILE SITÄ, VAAN PYYDÄ APUA AMMATTILAISelta.

Virran kytkeminen USB- ja 12 V -laitteisiin.

GB251-laitteessa on (2) USB-OUT -liitäntää ja 12V-OUT -liitäntä (12V AUX/savukkeensytytinliitäntä). Kytke mikä tahansa vakio-USB-laite tai 12 V laite (korkeintaan 15 A) ja kytke GB251 päälle käynnistääksesi laitteiden virransyötön.



Käyttöliittymä

1.) Sisäisen akun taso Näyttää sisäisen akun lataustason.

2.) Virhe LED Palaa punaisena, jos havaitaan käänteinen napaisuus, tai vilkkuu "päällä" ja "pois" eri jaksoissa (1 - 6 välähdystä) virhetilojen välittämiseksi.

3.) Kuuma LED Palaa punaisena. Laite on täysin käytettävissä, mutta lähestyy ylimmän lämpötilan rajaa. Vilkkuu punaisena; yksikkö on liian kuuma käynnistykseen, vain taskulamppu on käytettävissä tässä tilassa.

4.) Kylmä LED Palaa sinisenä. Laite on täysin käytettävissä, mutta lähestyy alimman lämpötilan rajaa. Vilkkuu sinisenä; yksikkö on liian kylmä käynnistykseen, vain taskulamppu on käytettävissä tässä tilassa.

5.) Virtapainike Painamalla käynnistää tai sulkee laitteen.

6.) Virta LED Virtavalo palaa valkoisena laitteen ollessa päällä. Syytty oranssina 60 sekunnin aikakatkaisun jälkeen, kunnes pidikkeet on irrotettu auton akusta tai GB251 kytketään uudelleen päälle ja pois päältä.

7.) Taskulampputilan painike Valopainikkeella voit vaihtaa erikoiskirkkaiden LED-valojen 7 eri valotilaa. 100% > 50% > 10% > SOS > Blink (vilkkuva) > Strobe (erittäin nopeasti vilkkuva) > Off (pois päältä)

8 . Jännitemittari / ajastin Sisäänrakennettu jännitemittari lukee ajoneuvon akun jännitteen ja parantaa diagnostiikkaa ja vianmääritystä. Jännitemittari lukee, jos akkupihdit ovat kytkettyinä, automaattisesti minkä tahansa akun (tai akkujärjestelmän) jännitteen, vaikka laite olisi sammutettu. Jännitemittari lukee jännitteen väliltä ~ 3V ja ~ 30V. Jos liitetyn akun jännite on alle 3V, näyttöön ei tule mitään. Jännitteen ollessa niin alhainen, akussa on todennäköisesti kuormitusta, kuten ajovalot tai tuuletin. Sulje ne ennen kuin yrität käynnistää ajoneuvoa. Kun yksikkö on päällä ja kun paristo on havaittu, volttimittari näyttää 60 sekunnin aikakatkaisun.

9.) Boost LED Käynnistysvalo palaa valkoisena kun pikakäynnistystila on aktiivinen. Jos laite on liitetty oikein akkuun, GB251 havaitsee akun automaattisesti ja siirtyy pikakäynnistystilaan (LED vilkkuu valkoisena, jos manuaalinen ohitustoiminto on käytössä).

10.) Manuaalisen ohitustoiminnon painike Ota manuaalinen ohitustoiminto käyttöön painamalla ja pitämällä painettuna tätä painiketta kolmen (3) sekunnin ajan. **VAROITUS: Toiminto poistaa turvasuojauksen ja manuaalisesti pakottaa pikakäynnistystilan päälle. Käytetään vain, kun akun jännite on liian matala havaitsemiseksi.**

Vianetsintä

	Virhe	Syy/Ratkaisu
	Virhe LED: Vakaa punainen	Vaihda napaisuus/Vaihda akkuliittimet käänteisesti.
	Virhe LED: Vilkkuva punainen w/ Kaapelit yhdistetty oikein	Oikosulku havaittu akkupidikkeissä. / Anna ammattilaisen tarkastaa akku.
	Yksi (1) välähdys	Oikosulku havaittu akkupidikkeissä. / Poista kaikki kuormitukset, kytke pidikkeet akkuun uudelleen.
⚡	Tupla (2) Salama	Kiinnittimissä havaittu korkea jännite (GB251 on kytketty yli 24 V: n jännitejärjestelmään).
	Nelinkertainen (4) salama	Latauksen aikakatkaisuvirhe (ts. GB251 on ollut irtotavarana liian kauan)
	Viisinkertainen (5) salama	XGC OUT ylivirta (ts. Yli 15 ampeeria vedetään XGC OUT -portista)
	Seitsemän (6) Salama	BMS (Battery Management System) -vika. (Virta GB251 "sammutettu" ja "päällä" uudelleen tyhjentämiseksi. Jos ongelma ei poistu, ota yhteyttä asiakastukeen)
	Kuuma LED: Vakaa	Laite on täysin käytettävissä, mutta lähestyy ylimmän lämpötilan rajaa. / Anna laitteen jäähtyä.
🔥	Kuuma LED: Vilkkuva	Yksikkö on liian kuuma käynnistykseen, vain taskulamppu on käytettävissä tässä tilassa. / Anna laitteen jäähtyä.
	Kuuma LED: Vilkkuva, jonka jälkeen kaikki LEDit Pois päältä	Laite on liian kuuma apukäynnistykseen tai muihin toimintoihin / Anna laitteen jäähtyä ja vie laite viileämpään tilaan.
	Kylmä LED: Vakaa	Laite on täysin käytettävissä, mutta lähestyy alimman lämpötilan rajaa. / Anna laitteen lämmetä.
	Kylmä LED: Vilkkuva	Yksikkö on liian kylmä käynnistykseen, vain taskulamppu on käytettävissä tässä tilassa / anna laitteen lämmetä.
❄️	Kylmä LED: Vilkkuva, jonka jälkeen kaikki LEDit Pois päältä	Laite on liian kylmä apukäynnistykseen tai muihin toimintoihin / Anna laitteen lämmetä ja vie laite lämpimään tilaan.
	Boost-valot eivät tule päälle w/ Kaapelit yhdistetty oikein	Liitetty akku on alle 3 volttia/Poista kaikki kuormittavat toiminnot ja yritä uudelleen tai käytä manuaalista ohitustilaa.

Tekniset tiedot

Sisäinen akku: 137Wh Lithium-ioni	12V (tulo): 12V/5A (14V Maks)
Korkein virtateho: 3000A	12V (lähtö): 12V, 15V Maks
Käyttölämpötila: -20°C – +50°C	Kotelosuojaus: IP65 (w/Läpät suljettuna)
Latauslämpötila: 0°C – +40°C	Jäähdytys: Luonnollinen lämmön virtaus
Säilytyslämpötila: -20°C – +50°C (Kesk. lämpö.)	Mitat (P x L x K): 31,75 x 20,83 x 3,39 Senttimetrit
USB (lähtö): 5V, 2.1A	Paino: 6,19 kiloa (13,65 lb)

NOCO yhden (1) vuoden rajoitettu takuu.

NOCO Company ("NOCO") takaa, että tässä tuotteessa ("Tuote") ei ole materiaali- ja valmistusvirheitä yhden (1) vuoden ajan ostopäivästä ("Takuu-aika"). NOCO harkintansa mukaan ja NOCO:n teknisen tuen analyysin mukaisesti korjaa tai korvaa ne vialliset tuotteet, jotka on ilmoitettu takuuajana. Vaihdeettavat varaosat ja tuotteet ovat uusia tai käyttökelpoisia, jotka ovat vertailukelpoisia toiminnassa ja suorituskyvyssä alkuperäisen osan kanssa, ja niiden takuu on voimassa jäljellä olevan alkuperäisen takuuajan.

NOCO:N VASTUUVELVOLLISUUS SEURAAVASSA ON RAJOITETUSTI JOKO KORVAAVA TAI KORJAAVA. NOCO EI MISSÄÄN LAINSÄÄDÄNNÖN SALLIMISSA PUITTEISSA OLE VELVOLLINEN KELLEKÄÄN LAITTEEN OSTAJALLE TAI KOLMANNELLE OSAPOLELLE MISTÄÄN ERITYISISTÄ, EPÄSUORISTA, SEURANNAISISTA TAI ESIMERKILLISISTÄ VAHINGOISTA, MUKAAN LUKIEN, MUTTA EI RAJOITETTU, MENETETYT TULOT, OMAISUUS- TAI HENKILÖVAHINGOT, JOTKA LIITTYVÄT MITEN TAHANSA TUOTTEESEEN, KENEN TAHANSA AIHEUTTAMANA, VAIKKA NOCO OLISI TIETOINEN TÄLLAISTEN VAHINKOJEN MAHDOLLISUUDESTA. TÄSSÄ ESITETYT TAKUUT KORVAAVAT KAIKKI MUUT TAKUUT, NIMENOMAISET, EPÄSUORAT, LAKISÄÄTEISET TAI MUUTEN, MUKAAN LUKIEN, ILMAN RAJOITUKSIA, MYYNTIKELPOISUUDESTA OLETETUT TAKUUT JA SOPIMUUDESTA TIETTYYN TARKOITUKSEEN, JA NE, JOTKA JOHTUVAT

KÄYTTÖOIKEUDESTA, KÄYTTÖ- TAI KAUPPAKÄYTÄNNÖSTÄ. NIISSÄ TAPAUKSISSA JOSSA JOKIN SOVELLETTAVA LAKI MÄÄRÄÄ TAKUUTA, EHTOJA TAI VELVOLLISUUKSIA JOITA EI VOIDA JÄTTÄÄ SOVELTAMATTA TAI MUUTTAA, TÄMÄ KOHTA ON VOIMASSA LAAJIMMIN KYSEISEN LAIN SALLIMISSA PUITTEISSA.

Tämä rajoitettu takuu tehdään yksinomaan NOCO:n tuotteen alkuperäisen ostajan tai NOCO:n hyväksymän jälleenmyyjän tai jakelijan eduksi, eikä sitä voida siirtää tai luovuttaa. Takuuvaatimuksen esittäminen edellyttää ostajalta: (1) pyytää ja hankkii palauttamisvaltuutuksen (RMA) numeron ja palautuksen sijaintitiedot ("Palautuspaikka") NOCO Support -tukikeskuksesta sähköpostitse osoitteesta support@no.co tai soittamalla numeroon 1.800.456.6626; ja (2) lähettää tuotteen palautuspaikkaan varustettuna RMA-numerolla, kuitilla tai takuumaksulla (maksu vaaditaan vain jos kuitti puuttuu), joka on 45 prosenttia virheellisen tuotteen valmistajan suosittelemasta kuluttajahinnasta MSRP:stä ("takuumaksu") [RMA sisältää sovellettavan takuumaksun suuruuden]. **ÄLÄ LÄHETÄ TUOTETTA ENNEN PALAUTTAMISVALTUUTUKSEN (RMA) HANKKIMISTA NOCO:N TUKIKESKUKSESTA.**

ALKUPERÄINEN OSTAJA ON VASTUUSSA (JA TÄYTYY MAKSAA ENNAKKOON) KAIKKI TAKUUPALVELUUN LÄHETETTYJEN TUOTTEIDEN PAKKAUS- JA KULJETUSKUSTANNUKSET.

TÄTÄ RAJOITETTUA TAKUUTA EI VOIDA KÄYTTÄÄ, EIKÄ SOVELLETA TUOTTEILLE, JOITA: a) käytetään väärin, käsitellään huonosti, kolhitaan tai käsitellään huolimattomasti, on osana onnettomuudessa, väärin varastoitu tai käytetty äärimmäisessä jännitteessä, lämpötilassa, sähköiskun aikana tai tärinässä, olosuhteissa, jotka ovat NOCO:n suositusten ulkopuolella turvalliselle ja tehokkaalle käytölle; (b) laittomasti asennettu, käytetty tai huollettu; c) on/oli muutettu ilman NOCO:n nimenomaista kirjallista lupaa; d) joku muu kuin NOCO on purkanut, muuttanut tai korjannut laitteen (e) joiden virheet on ilmoitettu takuuajana.

TÄMÄ RAJOITETTU TAKUU EI KATA: (1) normaalia kulumista; (2) kosmeettisia vaurioita, jotka eivät vaikuta toiminnallisuuteen; tai (3) tuotteet, joissa NOCO-sarjanumero puuttuu, on muutettu tai hävitetty.

VAIVATTOMAN TAKUUN EHDOT

Nämä ehdot koskevat tuotetta vain takuukauden kuluessa. Vaivaton takuu mitätöityy joko ajan kuluttua ostopäivästä (ajan kuluttua sarjanumeron päivämäärästä, jos ostotodistusta ei ole) tai aikaisemmin tässä asiakirjassa luetteloitujen ehtojen tähden. Palauta tuote

asianmukaisten asiakirjojen kanssa.

Ostokuitin kanssa:

1 vuosi: MAKSUTON Ostotodistuksen kanssa takuukausi alkaa ostopäivämäärästä.

ILMAN ostokuittia:

1 vuosi: MAKSUTON ILMAN ostotodistusta takuukausi alkaa sarjanumeron päivämäärästä.

Voit rekisteröidä NOCO-tuotteesi verkossa osoitteessa: noco.co/register. Jos sinulla on kysyttävää takuusta tai tuotteesta, ota yhteyttä NOCO-tukeen (sähköposti ja puhelinnumero edellä) tai kirjoita osoitteeseen: The NOCO Company, at 30339 Diamond Parkway, #102, Glenwillow, OH 44139 USA.

NOCO BOOST[®] MAX[™] GB251+



FARA

Användarhandbok och garanti



LÄS NOGGRANT IGENOM OCH BEKANTA DIG MED SAMTLIG SÄKERHETSINFORMATION INNAN DU ANVÄNDER PRODUKTEN FÖRSTA GÅNGEN. Undlåtenhet att följa säkerhetsanvisningarna kan leda till **ELSTÖT, EXPLOSION** eller **BRAND** som i sin tur kan leda till **svår skada, dödsfall, eller egendomsskada.**



Elstöt. Produkten ifråga är en elektrisk apparat som kan orsaka elstöt eller svår skada. Undvik att klippa elkablar. Undvik att doppa produkten i vatten eller att den blir blöt.



Explosion. Batterier som inte har kontrollerats, som inte är anpassade eller som är skadade kan explodera ifall de används med produkten. Lämna inte produkten övervakad under användning. Försök inte att få starta ett skadat eller fruset batteri med startkablar. Använd produkten endast med batterier som har rekommenderad spänning. Använd endast produkten i väl ventilerade utrymmen.



Brand. Produkten är en elektrisk apparat som utger hetta och kan orsaka brannskada. Undvik att täcka över produkten. Undvik att röka och att använda något som kan utge gnista eller eld medan du använder produkten. Håll produkten på avstånd från brännbara material.



Skada mot ögon. Ha på dig ögonskydd när du använder produkten. Batterier kan explodera och orsaka flygande spillror. Batterysyra kan orsaka klåda och irritation i ögonen och på huden. Utifall kontaminering inträffar i ögon eller på huden ska du tvätta det påverkade området under rinnande rent vatten samt kontakta giftkontroll omedelbart.



Explosiva gaser. Att arbeta i närheten av blysyra är farligt. Under normal användning framställer batterierna explosiva gaser. För att minska risken för att batteriet ska explodera se till att följa samtlig säkerhetsinformation och instruktioner. Detta innefattar även instruktioner och information från samtliga batteritillverkare och tillverkare vars utrustning är avsedd att användas i närheten av batterier. Läs igenom varningsmärkingar på dessa produkter och på motorn.

Svenska

För ytterligare information och support, gå till:

www.no.co/support

Viktiga säkerhetsvarningar

OBS

Manuellt läge inaktiverar alla säkerhetsåtgärder. Om det används felaktigt och/eller mot vår rekommenderade användning kan det leda till personskador eller dödsfall och kommer att upphäva garantin. Risk för brand, explosion och brännskador. Enheten får inte tas isär, krossas, värmas över 60 °C (140 °F) eller förbrännas. Denna enhet är avsedd för tillfällig användning utomhus och rimlig försiktighet ska iakttas vid användning i våta förhållanden.

VARNING

Överladda inte det interna batteriet. Se bruksanvisningen. Du får inte röka, tända tändstickor eller orsaka gnistor i närheten av batteripaketet. Ladda endast det interna batteriet i ett väl ventilerat område när det inte används.

OBS

Risk för personskador. Använd inte denna produkt om nätsladden eller batterikablarna är skadade på något sätt. Denna enhet är inte avsedd för användning i en kommersiell reparationsverkstad. Denna enhet är avsedd att förvaras inomhus när den inte används. Denna enhet ska inte förvaras eller lämnas utomhus när den inte används.

Förslag 65. Batteriplats, terminaler och tillbehör innehåller kemikalier, inklusive bly. I delstaten Kalifornien är dessa ämnen kända för att orsaka cancer, fosterskada samt annan reproduktionsskada. **Säkerhetsåtgärd för person.** Använd produkten endast för dess ansedda bruk. Se till att någon finns tillräckligt nära för att höra dig och för att komma till din undsättning utifall att fara inträffar. Se till att du har vatten och tvål tillhands utifall att batterysyrekontaminering inträffar. Se till att ha på dig ögonskydd och skyddskläder när du arbetar i närheten av ett batteri. Tvätta alltid händerna efter att du rört batteriet och dess tillbehör. Undvik att röra vid eller ha på dig metallobjekt medan du arbetar med batterier. Detta inkluderar verktyg, armbandsur och smycken. El-chock, brand eller explosion till följd av en gnista eller kortslutning kan leda till skada, dödsfall eller egendomsskada. **Minderåriga.** Om "Köparen" har för avsikt att låta en minderårig använda produkten tar den myndiga köparen på sig fullt ansvar för att tillgodose den minderåriga med detaljerade instruktioner och varningsinformation innan den sistnämnda använder produkten. Undlåtenhet att göra detta innebär att den vuxna "Köparen" bär allt ansvar och att denne samtycker till att ersätta NOCO för att produkten inte används som ansett, eller att den används av en minderårig. **Kvävningsrisk.** Tillbehören kan komma att innebära kvävningrisk för barn. Lämna aldrig barn oövervakade med produkten eller något av dess tillbehör. Denna produkt är inte en leksak. **Hantering.** Hantera produkten varsamt. Produkten kan skadas vid sammanstötning. Använd inte en skadad produkt, detta

inkluderar men är inte begränsat till, sprickor i hylsan eller skadade sladdar. Använd inte en produkt vars elsladd är skadad. Använd inte produkten eller någon elektrisk komponent i närheten av vätska. Förvara och använd produkten på en torr plats. Använd inte en våt produkt. Om produkten blir blöt under användning ska du koppla bort den från batteriet och upphör att använda den omedelbart. Dra inte i sladdarna för att koppla ur produkten. Modifieringar. Försök inte att ändra, förändra eller reparera någon del av produkten. Om du tar isär produkten kan detta leda till skada, dödsfall eller egendomsskada. Om produkten blir skadad, slutar fungera eller kommer i kontakt med vätska ska du omedelbart sluta använda den och kontakta NOCO: All garanti upphör att gälla när du modifierar produkten. **Tillbehör.** Produkten är endast godkänd för att användas med NOCO-tillbehör. NOCO är inte ansvariga för användarsäkerhet eller skada som inträffar då tillbehör som inte godkänts av NOCO används. **Läge.** Se till att batterisyra inte kommer i kontakt med produkten. Använd inte produkten i ett instängt utrymme eller ett utrymme med begränsad ventilation. Placera inte ett batteri ovanpå produkten. Placera kabelledningar så att du undviker att en olycka sker av en olyckshändelse genom att flytta delar i fordonet (inklusive motorhuv och dörra), motordelar (inklusive vassa blad, bälten och remskivor), eller anant som kan komma att bli en fara som kan orsaka skada eller dödsfall. **Temperatur för användning.** Produkten är tillverkad för användning i temperaturer mellan -20 C och 50 C. Använd inte i temperaturer som faller utanför dessa. Försök inte att starta ett fruset batteri med startkabel. Upphör omedelbart att använda produkten utifall att batterier blir extremt varmt. **Förvaring.** Undvik att använda eller förvara produkten där det är hög koncentration av damm i luften eller luftburna ämnen. Förvara produkten på en platt, säker yta där den inte riskerar att falla omkull. Förvara produkten på en torr plats. Förvara produkten i temperatur mellan -20 C och -50 C (0°C till +40°C medeltemperatur). Gå inte under några omständigheter över 80 C. **Kompatibel.** Produkten är endast kompatibel med 12-volts blybatterisystem. Försök inte använda produkten med någon annan typ av batteri. Start med startkablar med andra batterikemikalier kan leda till personskada, dödsfall eller egendomsskada. Kontakta batteritillverkaren innan du försöker starta batteriet med startkablar. Starta inte ett batteri med startkablar om du är osäker på batteriets specifika kemikalier eller spänning. **Batteriet.** Produktens inbyggda litiumjonbatteri skall endast bytas ut av NOCO och måste återvinnas och slängas separat från hushållsavfall. Försök inte att byta ut batteriet själv och hantera inte ett litiumjonbatteri som är skadat eller som läcker. Släng aldrig batteriet i hushållssoporna. Att slänga batterier i hushållssoporna är olagligt. Använda batterier ska alltid lämnas över till din lokala batteriåtervinningsstation. Om batteriet i produkten blir alldeles för varmt, ger ifrån sig en illa lukt, är konstigt format eller verkar vara konstigt på något sätt ska du omedelbart sluta använda det och kontakta NOCO. **Batteriladdning.** Ladda produkten med den medföljande 12 V DC-billaddaren eller väggaddaren XGC4. Använd inte generiska eladapttrar eller strömadapttrar från andra tillverkare, eftersom de kan utgöra en allvarig elektrisk risk som kan leda till personskador, skador på enheten och egendom. Användning av skadade kablar eller laddare, eller laddning när det finns fukt, kan leda till elektriska stötar. NOCO är inte ansvariga för användarens säkerhet, skador på enheten eller skador på egendom vid användning av tillbehör eller strömförsörjningar som

inte är godkända av NOCO. Se till att nätkontakten är helt insatt i adaptern innan du ansluter den till ett eluttag när väggladdaren XGC4 används. Strömadaptern kan bli varm under normal användning och långvarig hudkontakt kan orsaka kroppsskador. Säkerställ alltid tillräcklig ventilation omkring strömadaptern under användning. Undvik att ladda produkten i mer än en vecka åt gången för att säkerställa maximal batterilivslängd, eftersom överladdning kan förkorta batteriets livslängd. Med tiden kommer en oanvänd produkt att laddas ur och måste laddas upp igen före användning. Koppla bort produkten från strömkällor när den inte används. Använd produkten endast för avsedda ändamål. **Medicinska apparater.** Produkten kan avge elektromagnetiska fält. Produkten innehåller magnetiska komponenter som kan störa pacemakers, defibrillatorer eller andra medicinska anordningar. Dessa elektromagnetiska fält kan störa pacemakare eller annan medicinsk utrustning. Rådgor med din läkare innan du använder produkten om du har någon medicinsk utrustning inklusive pacemakare. Om du misstänker att produkten stör en medicinsk enhet, sluta använda produkten omedelbart och kontakta din läkare. **Medicinskt tillstånd.** Om du har ett medicinskt tillstånd som du tror kan påverkas av produkten, inklusive men inte begränsat till; anfall, minnesluckor, uttrötning av ögonen eller huvudvärk, kontakta din läkare före användning av produkten. En integrerad högdriven ficklampa innebär en risk för ljuskänslighet. I Strobe Mode kan ljuset leda till anfall hos personer med ljuskänslig epilepsi, vilket kan leda till allvarlig skada eller dödsfall. **Ljus.** Att stirra in i ficklampan kan orsaka permanent ögonskada. Produkten har en stark LED-lampa som utger ett starkt ljus när den används på högsta inställningen. **Rengöring.** Stäng av och koppla ur strömmen innan rengöring eller skötsel av produkten. Gör rent och torka torrt produkten omedelbart utifall att den kommer i kontakt med vätska eller annan typ av främmande ämnen. Rengör med en mjuk mikrofiberduk. Se till att fukt inte kommer in i öppningarna. **Explosionsfarlig miljö.** Följ alla skyltar och instruktioner. Använd inte produkten i en potentiellt explosionsfarlig miljö, inklusive bränsleområde eller utrymmen där det finns kamikalier eller små partiklar som till exempel spannmål, damm eller metallpulver. **Höga konsekvenser.** Denna produkt är inte avsedd att användas där felet i produkten kan leda till skada, dödsfall eller allvarliga miljöskador. **Radiofrekvensinterferens.** Produkten är konstruerad, testad och tillverkad för att följa reglerna för radiofrekvensutsläpp. Sådana utsläpp från produkten kan påverka driften av annan elektronisk utrustning negativt och orsaka funktionsfel. **Modellnummer: GB251.** Denna produkt följer kraven i del 15 av FCC-reglerna. Användning lyder under följande villkor: 1) enheten inte orsakar skadliga störningar. 2) enheten är förberedd för inkommande störningar, inklusive sådana som kan inverka menligt på produktens funktion. **VIKTIGT:** Denna utrustning har testats och befunnits uppfylla kraven för digitala enheter av klass A, enligt kapitel 15 i FCC-reglerna. Dessa krav är avsedda att ge ett tillfredsställande skydd mot skadliga störningar vid användning i kommersiella miljöer. Utrustningen genererar, förbrukar och kan utstråla RF-energi. Om den inte installeras i enlighet med anvisningarna kan RF-energin orsaka störningar i radiokommunikationen. Om utrustningen används i bostadsmiljöer kan det hända att skadliga störningar uppstår. Det åligger i sådana fall användaren att på egen bekostnad åtgärda dessa.

Användarinstruktioner

Steg 1. Ladda GB251-enheten

GB251 levereras delvis laddad direkt ur förpackningen och behöver laddas helt före användning. Anslut GB251 med hjälp av den medföljande 12 V DC-billaddaren eller väggaddaren XGC4 till 12V IN-porten. Tiden för att omladda en GB251 kommer att variera beroende på urladdningsnivån och den strömkälla som används. Faktiska resultat kan variera på grund av batteriförhållandena och urladdningsnivån.

Vid laddning indikeras laddningsnivån för det interna batteriet med hjälp av laddningslamporna. Lysdioderna blinkar sakta mellan 'På' och 'Av' och stannar tills alla fyra laddningslampor lyser. När batteriet är fulladdat kommer den gröna 100% LED att vara på och laddningslamporna för 25%, 50% och 75% slås av. Från och med då kommer den gröna 100% lysdioden att blinka, vilket indikerar att underhållsladdning uppstår.

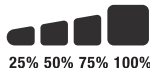
Steg 2. Koppla in batteriet

Läs noggrant och förstå fordonets instruktionsbok för specifika försiktighetsåtgärder och rekommenderade metoder för att starta fordonet med startkablar. Se till att du fastställer batteriets spänning och kemi genom att läsa bruksanvisningen för batteriet innan produkten används. GB251 är endast avsedd för start av 24-volts blybatterisystem med startkablar. Kontrollera att du har ett 24-volts blybatterisystem innan du ansluter det till batteriet. GB251 är inte lämplig för någon annan typ av batteri. Identifiera den korrekta polariteten för batteripolerna på batteriet. Den positiva batteripolen markeras vanligtvis med dessa bokstäver eller symbolen (POS,P,+). Den negativa batteripolen markeras vanligtvis med dessa bokstäver eller symbolen (NEG,N,-). Gör inga anslutningar till förgasaren, bränsleledningar eller tunna metallplåtdelar. Nedanstående anvisningar är avsedda för ett system med negativ jord (vanligast). Om ditt fordon har ett system med positiv jord (mycket ovanligt), se fordonets instruktionsbok för anvisningar om korrekt start med startkablar.

1.) Anslut den positiva (röda) batteriklämman till den positiva (POS,P,+) batteripolen och den negativa (svarta) batteriklämman till den negativa (NEG,N,-) batteripolen eller fordonets chassi.

Uppladdningstid:	Laddningsvärde:
5hr	56W

Intern batterinivå



Steg 3: **Starta med startkablar**

- 1.)** Kontrollera att alla fordonets strömbelastningar (strålkastare, radio, luftkonditionering, etc.) är avstängda innan du försöker få igång fordonet.
- 2.)** Tryck på strömbrytaren för att påbörja start med startkablar och alla lysdioder kommer att blinka en gång. Om du är korrekt ansluten till batteriet kommer den vita boost-lysdioden att tändas och batteriladdningsdioderna kommer att tändas i följd. En 60-sekunders nedräkning för timeout börjar så snart som ett batteri upptäcks.
- 3.)** Testa att starta fordonet. I flesta fall startar fordoner på en gång. Med vissa fordon krävs det att GB251-enheten är ikopplad upp till 30 sekunder innan det startar. Om fordonet inte startar på en gång, vänta 20-30 sekunder innan du försöker igen. Försök inte mer än fem (5) gånger i rad inom en femton (15) minuters period. Låt GB251-enheten vila innan du försöker starta fordonet igen.
- 4.)** Ta bort klämmorna och GB251-enheten när du väl startat fordonet.

60-sekunders timeout.

En 60-sekunders nedräkning kommer att påbörjas så snart ett batteri upptäcks. När 60 sekunder har gått kommer starthjälpfunktionen att avaktiveras. Boost LED-lampan slocknar och LED-lampan för laddning av det interna batteriet indikerar enhetens aktuella laddningsnivå. För att återställa starthjälpfunktionen trycker du på strömknappen för att stänga av enheten. Tryck på strömknappen igen för att slå på enheten och starta starthjälpfunktionen igen.

FÖRSIKTIGHETSÅTGÄRD

60-SEKUNDERS TIMEOUT ÄR AVAKTIVERAD NÄR MAN ANVÄNDER MANUELLT ÖVERSTYRNINGSLÄGE. STRÖMMEN FORTSÄTTER ATT TILLFÖRAS MEDAN MANUELL ÖVERSTYRNING ÄR AKTIV. FÖR ATT MAXIMERA ANTALET STARTHJÄLP REKOMMENDERS DET ATT BOOST-ENHETEN STÄNGS AV SÅ SNART FORDONET HAR STARTAT.

Lågspänningsbatteri och Manuell överstyrning

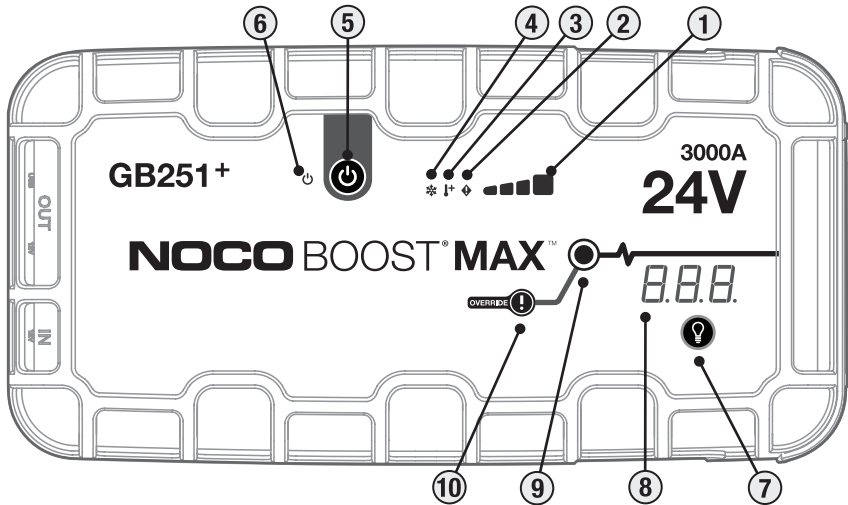
GB251 är konstruerad för att starta batterisystem på 24 volt ned till 2 volt med startkablar. Om ditt batteri är under 2 volt kommer boost-lysdioden att vara "av". Detta är en indikation på att GB251 inte kan upptäcka ett batteri. Om du behöver starta ett batteri under 2 volt med startkablar så finns det en en manuell manövreringsfunktion, som gör det möjligt för dig att forcera funktionen för start med kablar. Om batteriet är under 2 volt kommer boost-lysdioden att vara släckt och voltmeteren visar ingen spänning.

FÖRSIKTIGHETSÅTGÄRD

ANVÄND DETTA LÄGE MED EXTREM FÖRSIKTIGHET. DETTA LÄGE ÄR ENDAST AVSETT FÖR 24-VOLTS BLYBATTERISYSTEM. BÅDE FUNKTIONEN FÖR GNISTSKYDD OCH OMVÄNT POLARITETSSKYDD ÄR INAKTIVERAD. VAR MYCKET UPPMÄRKSAM PÅ BATTERIETS POLARITET INNAN DETTA LÄGE ANVÄNDS. LÅT INTE DE POSITIVA OCH NEGATIVA BATTERIKLÄMMORNA VIDRÖRA ELLER ANSLUTAS TILL VARANDRA EFTERSOM PRODUKTEN KOMMER ATT GENERERA GNISTOR. DETTA LÄGE ANVÄNDER MYCKET HÖG STRÖM (UPP TILL 3 000 AMPS) SOM KAN FÖRORSÅKA GNISTOR OCH HÖG VÄRME OM DET INTE ANVÄNDS PÅ RÄTT SÄTT. OM DU ÄR OSÄKER PÅ HUR MAN ANVÄNDER DETTA LÄGE, FÖRSÖK INTE ANVÄNDA DET UTAN TILLKALLA PROFESSIONELL HJÄLP.

Förse dina USB- och 12V-enheter med ström.

GB251 har (2) USB-OUT-portar och en 12V-OUT-port (12V AUX/cigarettändarport). Koppla in vilken USB-standardenhet eller 12V-enhet som helst (upp till 15 A) och koppla "på" GB251 för att börja förse dina enheter med ström.



Gränssnitt

1.) Intern batterinivå Indikerar laddningsnivån för det interna batteriet.

2.) Fel LED-ljus Lyser rött om omvänd polaritet detekteras eller blinkar "på" och "av" i olika sekvenser (från 1 till 6 blinkningar) för att överföra felförhållanden.

3.) LED-ljus för heta lyser konstant rött: Enheten är fullt laddad, men närmar sig gränsen för hur varm den kan vara. Blinkande rött; enheten är för varm för att starta, bara ficklampan är tillgänglig i detta tillstånd.

4.) LED-ljus för kyla lyser konstant blått: Enheten fungerar helt och hållet, men närmar sig gränsen för hur kall den kan vara. Blinkande blått enheten är för kall för att starta, bara ficklampan är tillgänglig i detta tillstånd.

5.) Startknappen Trycks för att enheten ska slå "Av och På".

6.) LED-ljuset Lyser vitt när enheten är "På". Tänds orange efter nedräkningen på 60 sekunder tills klämmorna tas bort från bilbatteriet eller GB251 slås av och sedan slås på igen.




7.) Med ljusknappen kan du växla mellan 7 ljuslägen: 100% > 50% > 10% > SOS > Blinkande > Nödljus > Av

8. Voltmeter / nedräkningstimer Den inbyggda voltmätaren läser spänningen i fordonets batteri för förbättrad diagnostik och felsökning. Voltmätaren läser automatiskt batterispänningen (eller batterisystemet) när batteriklämmorna är anslutna, även om Enheten är avstängd. Voltmätaren kommer att läsa spänningen mellan ~ 3V och ~ 30V. Om det anslutna batteriet är under 3V visas ingenting. Om spänningen är så låg är det sannolikt en belastning på batteriet, såsom strålkastare eller och AC-fläkt, som ska stängas av innan du startar bilen. Medan enheten är påslagen och efter att ett batteri har upptäckts visar voltmätaren nedräkningen på 60 sekunder.

9.) LED-ljuset för boost Lyser vitt när boostern är på. Om enheten är kopplat till batteriet på rätt sätt känner GB251-enheten automatiskt av ett batteri och sätter igång boost-läget (LED-ljuset blinkar vitt när läget för manuell överstyrning är på).

10.) Manuell överstyrningsknapp. För att aktivera, tryck och håll nedtryckt i tre (3) sekunder. **WARNING: Inaktiverar säkerhetsskydd och sätter manuellt i läget "På". Endast för användning när en batterispänning är för låg för att detekteras.**

Felsökning

FEL	ANLEDNING/LÖSNING
Fel LED: Konstant rött ljus	Omvänd polaritet/Vänd på batterikopplingen.
Fel LED: Blinkar rött och kablarna är korrekt anslutna.	Kortslutning upptäckt på batteriklämmorna. / Låt en professionell kontrollera batteriet.
En (1) blinkning	Kortslutning upptäckt på batteriklämmorna. / Ta bort alla laddningar, anslut klämmorna till batteriet igen.
 Dubbel (2) Blixt	Hög spänning upptäcks vid klämmor (GB251 är ansluten till ett spänningssystem som är större än 24V).
Fyrbädd (4) Blixt	Laddningstidsfel (dvs. GB251 har varit i bulkavgift för länge)
Quintuple (5) Blixt	XGC OUT över ström (dvs. mer än 15 ampere dras från XGC OUT-porten)
Sextuple (6) Blixt	BMS (batterihanteringssystem) fel. (Stäng av GB251 "av" och "på" igen för att rensa. Kontakta kundsupport om problemet kvarstår)
 LED-ljus för hetta: Konstant	Enheten är helt användbar men närmar sig gränsen för hur varm den kan vara. / Låt den svalna.
LED-ljus för hetta: Blinkande	Enheten är för varm för att starta, bara ficklampan är tillgänglig i detta tillstånd. / Låt enheten svalna.
LED-ljus för hetta: Blinkar och sedan stängs alla LED-ljus av	Enheten är för varm för hjälpstart och för andra funktioner. / Låte enheten svalna och ta enheten till kallare utrymme.
 LED-ljus för kyla: Konstant	Enheten är helt användbar men närmar sig gränsen för hur kall den kan vara. / Låt den värmas upp.
LED-ljus för kyla: Blinkande	Enheten är för kall för att starta, bara ficklampan är tillgänglig i detta tillstånd / Låt enheten värmas upp.
LED-ljus för kyla: Blinkar och sedan stängs alla LED-ljus av	Enheten är för kall för att hjälpstarta, men andra funktioner kan vara tillgängliga. / Låt enheten värmas upp och ta enheten till varmare utrymme.
Lyset på boostern tänds inte och kablarna är korrekt anslutna.	Det ikopplade batteriet är mindre än 3 volt/Ta bort samtliga kopplingar och försök igen eller använd läget Manuell översyrning.

Tekniska specifikationer

Internt batteri: 137Wh Litiumjon	12V (ingång): 12V/5A (14V Max)
Högsta spänningsgrad: 3000A	12V (utgång): 12V, 15V Max
Driftstemperatur: -20 ° C till + 50 ° C	Hylseskydd: IP65 (med stängda portar)
Laddningstemperatur: 0°C till +40°C	Kyl: Naturlig konvektion
Förvaringstemperatur: -20°C till +50°C (medel temp.)	Mått (L x B x H): 31,75 x 20,83 x 3,39 Centimeter
USB (utgång): 5V, 2.1A	Vikt: 6,19 Kg (13,65 lb)

NOCO ett (1) års begränsad garanti

NOCO Company (" NOCO ") garanterar att denna produkt (" Produkten ") kommer att vara fri från defekter i material och utförande under en period av ett (1) år från inköpsdatumet (" Garantiperioden "). För fel som rapporteras under garantiperioden kommer NOCO, efter eget gottfinnande, och med förbehåll för NOCOs tekniska supportanalys, att reparera eller ersätta defekta produkter. Ersättningsdelar och produkter kommer att användas nytt eller användbart, jämförbara i funktion och prestanda till originaldelen Och motiveras för återstoden av den ursprungliga garantiperioden.

NOCO:S ANSVARSSKYLDIGHET ÄR UTRYCKLIGEN BEGRÄNSAD TILL UTBYTE ELLER REPARATION. I DEN MÅN LAGEN TILLÅTER SKALL NOCO INTE VARA ANSVARSSKYLDIG GENTEMOT KÖPARE ELLER TREDJE PART FÖR SPECIELL, BETYDANDE ELLER EXEMPLARISK SKADA, INKLUSIVE MEN INTE BEGRÄNSAD TILL UTEBLIVEN VINST, EGENDOMSSKADA ELLER PERSONSKADA SOM PÅ NÅGOT SÄTT HAR ATT GÖRA MED PRDOUKTEN, OAVSETT HUR DET SKETT, ÄVEN OM NOCO HAR HAFT VETSKAP OM MÖJLIGHET FÖR SÅDAN SKADA. GARANTIerna SOM FINNES HÄRI KOMMER FÖRE ALLA ANDRA GARANTIER, UTRYCKLIGEN, UNDERFÖSTÅTT, LAGENLIGT ELLER ANNAT, INKLUSIVE OCH UTAN BEGRÄNSNING, DE UNDERFÖRSTÅDA GARANTIerna FÖR SÄLGBARHET OCH EGNETHET FÖR ETT SÄRSKILT SYFTE OCH DE SOM ÄR TILL FÖLJD AV FÖRHANDLING, ANVÄNDNING ELLER HANDELSPRAKSIS. I HÄNDELSE ATT EVENTUELLA TILLÄMPLIGA LAGAR PÅVERKAR GARANTIER, VILLKOR ELLER SKYLDIGHET SOM INTE KAN UTESLUTAR ELLER ÄNDRAS SÅ GÄLLER

DETTA STYCKE I STÖRSTA MÖJLIGA OMFATTNING SOM SÅDAN LAG TILLÅTER.

Denna garanti är endast utformad till förmån för den ursprungliga köparen av Produkten från NOCO eller från en återförsäljare eller distributör som godkänts av NOCO, och den kan inte överlåtas. För att återropa ett garantiärende måste köparen: (1) begära och erhålla RMA-nummer och returplatsinformation ("Returplats") från NOCO kundtjänst genom att maila support@no.co eller ringa 1.800.456.6626, och (2) skicka produkten, inklusive RMA-nummer, kvitto eller garantiavgift (avgift krävs endast om inte kvitto skickas) 45% av MSRP för den defekta produkten ("Garantiavgiften") [RMA kommer att inkludera tillämpligt Garantiavgiftbelopp] till returplatsen. SKICKA INTE PRODUKT UTAN ATT FÖRST HA FÅTT EN RMA FRÅN NOCO:S KUNDTJÄNST.

DEN URPRUNGSLIGA KÖPAREN ANSVARAR FÖR (OCH MÅSTE BETAL I FÖRVÄG) FÖR SAMTLIG FÖRPACKNINGS- OCH TRANSPORTKOSTNADER FÖR ATT SKICKA PRODUKTEN FÖR SERVICE ENLIGT GARANTIN.

TROTS DET OVANNÄMMDA UPPEHÖR OCH TÄCKER DENNA GARANTI INTE PRODUKTER SOM: 1. använts felaktigt eller misshandlats, utsatts för ovarlig hantering, olycka, felaktig förvaring eller som utsatts för användning under extremt hög spänning, temperatur, elstöt, eller skakning som är utöver vad NOCO:s rekommendationer för söker och effektiv användning. 2. felinställning, felanvändning eller olämpligt underhåll. 3. har modifierats utan skriftligen fått godkänt av NOCO. 4. har tagit isär, förändrats eller reparerats av någon annan än NOCO. 5. har defekter och som rapporterats efter garantiperioden är slut.

DENNA BEGRÄNSADE GARANTI TÄCKER INTE: (1) Normalt slitage; (2) kosmetisk skada som inte påverkar funktionaliteten Eller (3) Produkter där NOCO serienummer saknas, ändras eller defaceras.

VILLKOR FÖR KRÅNGELFRI GARANTI

Dessa villkor gäller endast för produkter under garantiperioden. Den krångelfria garantin upphör att gälla antingen efter förfluten tid från inköpsdatumet (förfluten tid från datum för serienummer, om inköpsbevis saknas) eller enligt de villkor som angavs tidigare i detta dokument. Returnera produkten med lämplig dokumentation.

Med kvitto:

1 år: INGEN avgift. Med inköpsbevis börjar garantiperioden från och med inköpsdatumet

UTAN kvitto:

1 år: INGEN avgift. UTAN inköpsbevis börjar garantiperioden från och med datumet för serienumret.

Du kan registrera din NOCO-produkt online på: no.co/register. Om du har några frågor angående din garanti eller produkt, kontakta NOCO Kundtjänst (email och telefonnummer ovan) eller skriv till: NOCO Company, på 30339 Diamond Parkway, # 102, Glenwillow, OH 44139 USA.

NOCO BOOST[®] MAX[™] GB251+



ΚΙΝΔΥΝΟΣ

Οδηγός Χρήστη & Εγγύηση



ΔΙΑΒΑΣΤΕ ΚΑΙ ΚΑΤΑΝΟΗΣΤΕ ΟΛΕΣ ΤΙΣ ΠΛΗΡΟΦΟΡΙΕΣ ΑΣΦΑΛΕΙΑΣ ΠΡΙΝ ΧΡΗΣΙΜΟΠΟΙΗΣΤΕ ΤΟ ΠΡΟΪΟΝ. Μη συμμόρφωση με αυτές τις οδηγίες για την ασφάλεια μπορεί να οδηγήσει σε **ΗΛΕΚΤΡΟΠΛΗΞΙΑ, ΕΚΡΗΞΗ, ΠΥΡΚΑΓΙΑ, η οποία ενδέχεται να οδηγήσει σε ΣΟΒΑΡΟ ΤΡΑΥΜΑΤΙΣΜΟ, ΘΑΝΑΤΟ, ή ΥΛΙΚΕΣ ΖΗΜΙΕΣ.**



Ηλεκτροπληξία. Το προϊόν είναι μια ηλεκτρική συσκευή από την οποία μπορεί να προκληθεί ηλεκτροπληξία και να προκαλέσει σοβαρό τραυματισμό. Μην κόψετε τα καλώδια ρεύματος. Μην το εμβαπτίζετε σε νερό ή επιτρέψετε να βραχεί.



Έκρηξη. Μπαταρίες μη ελεγμένες, μη συμβατές, ή κατεστραμμένες μπορούν να εκραγούν αν χρησιμοποιηθούν με το προϊόν. Μην αφήνετε το προϊόν χωρίς επίβλεψη όταν βρίσκεται σε λειτουργία. Μην επιχειρήσετε να εκκινήσετε στιγμιαία μια χαλασμένη ή μια μπαταρία που έχει παγώσει. Χρησιμοποιείται το προϊόν μόνο με μπαταρίες συνιστώμενης τάσης. Λειτουργείτε το προϊόν σε καλά αεριζόμενο χώρο.



Πυρκαγιά. Το προϊόν είναι μια ηλεκτρική συσκευή που εκπέμπει θερμότητα και είναι ικανή να προκαλέσει εγκαύματα. Μην καλύπτετε το προϊόν. Μην καπνίζετε και μην χρησιμοποιείτε οποιαδήποτε πηγή ηλεκτρικού σπινθήρα ή φλόγας κατά τη λειτουργία του προϊόντος. Να φυλάσσεται το προϊόν μακριά από εύφλεκτα υλικά.



Τραυματισμός ματιών. Φοράτε γυαλιά προστασίας κατά τη λειτουργία του προϊόντος. Οι μπαταρίες μπορούν να εκραγούν και να προκαλέσουν την εκτίναξη θραυσμάτων. Το οξύ της μπαταρίας μπορεί να προκαλέσει ερεθισμό των ματιών και του δέρματος. Στην περίπτωση της μόλυνσης των οφθαλμών ή του δέρματος, πλύνετε καλά την πληγείσα περιοχή με τρεχούμενο καθαρό νερό και επικοινωνήστε με το κέντρο αντιμετώπισης δηλητηριάσεων.αμέσως.



Εκρηκτικά αέρια. Εργασία κοντά σε περιοχή μολύβδου-οξέος είναι επικίνδυνο. Οι μπαταρίες εκλύουν εκρηκτικά αέρια κατά την διάρκεια της κανονικής λειτουργίας τους. Για να μειώσετε τον κίνδυνο έκρηξης της μπαταρίας, ακολουθήστε τις πληροφορίες οδηγιών ασφαλείας και εκείνες που δημοσιεύονται από τον κατασκευαστή της μπαταρίας και τον κατασκευαστή οποιουδήποτε εξοπλισμού που προορίζεται να χρησιμοποιηθεί στην περιοχή κοντά στην μπαταρία. Επανεξετάστε προσεκτικά τις σημάνσεις σε αυτά τα προϊόντα και στον κινητήρα.

Ελληνικά

Για περισσότερες πληροφορίες
και υποστήριξη επισκεφθείτε:

www.no.co/support

Σημαντικές Προειδοποιήσεις Ασφαλείας

ΠΡΟΣΟΧΗ

Η Χειροκίνητη Λειτουργία απενεργοποιεί όλα τα μέτρα ασφαλείας. Η λανθασμένη ή/και αντίθετη από τη συνιστώμενη από εμάς χρήση μπορεί να προκαλέσει τραυματισμό ή και θάνατο και θα ακυρώσει την εγγύησή σας. Κίνδυνος φωτιάς, έκρηξης και εγκαυμάτων. Να μην αποσυναρμολογείται, να μη συνθλίβεται, να μη θερμαίνεται σε θερμοκρασία άνω των 60°C (140°F) ή να καίγεται. Αυτή η συσκευή προορίζεται για προσωρινή χρήση σε εξωτερικούς χώρους και πρέπει να επιδεικνύετε την πρέπουσα προσοχή όταν χρησιμοποιείτε αυτή τη συσκευή σε βρεγμένο περιβάλλον.

ΠΡΟΕΙΔΟΠΟΗΣΗ

Μην υπερφορτίζετε την εσωτερική μπαταρία. Δείτε το Εγχειρίδιο Οδηγιών. Μην καπνίζετε, μην ανάβετε σπίρτα ή προκαλείτε σπινθήρες γύρω από τον ηλεκτρικό μετασχηματιστή. Η φόρτιση της μπαταρίας πρέπει να πραγματοποιείται μόνο σε καλά αεριζόμενο χώρο όταν δεν τη χρησιμοποιείτε.

ΠΡΟΣΟΧΗ

Κίνδυνος Ανθρώπινου Τραυματισμού. Μην χρησιμοποιείτε αυτό το προϊόν εάν το καλώδιο τροφοδοσίας ή τα καλώδια της μπαταρίας έχουν φθαρεί καθ' οιονδήποτε τρόπο. Αυτή η συσκευή δεν προορίζεται για χρήση σε επαγγελματικές εγκαταστάσεις επισκευών. Αυτή η συσκευή προορίζεται για φύλαξη σε εσωτερικό χώρο όταν δε χρησιμοποιείται. Δεν θα πρέπει να αποθηκεύετε ή να αφήνετε τη συσκευή εκτεθειμένη σε εξωτερικό χώρο όταν δεν τη χρησιμοποιείτε.

Πρόταση κανονισμού 65 (ΗΠΑ). Οι πόλοι, οι ακροδέκτες και τα σχετικά εξαρτήματα των μπαταριών περιέχουν χημικές ουσίες, συμπεριλαμβανομένου μολύβδου. Αυτά τα υλικά είναι γνωστά στην Πολιτεία της Καλιφόρνια ότι προκαλούν καρκίνο, και γενετικές ανωμαλίες και άλλες βλάβες στην αναπαραγωγή. **Προσωπικές προφυλάξεις.** Χρησιμοποιείτε το προϊόν μόνο για το σκοπό που προορίζεται. Κάποιος θα πρέπει να είναι εντός της εμβέλειας της φωνής σας ή αρκετά κοντά για να έρθει να σας βοηθήσει σε περίπτωση ανάγκης. Να έχετε στη διάθεσή σας μια ποσότητα καθαρού νερού και σαπουνιού πλησίον σας σε περίπτωση μόλυνσης από οξύ μπαταρίας. Να φοράτε πλήρη προστατευτικά γυαλιά ματιών και προστατευτικό ρουχισμό όταν εργάζεστε κοντά σε μια μπαταρία. Πάντα να πλένετε τα χέρια σας μετά το χειρισμό μπαταριών και συναφών υλικών. Μην χειρίζεστε ή φοράτε τυχόν μεταλλικά αντικείμενα όταν εργάζεστε με μπαταρίες συμπεριλαμβανομένων, εργαλείων, ρολογιών ή κοσμημάτων. Αν μεταλλικό αντικείμενο πέσει πάνω στη μπαταρία, μπορεί να προκαλέσει ή να δημιουργήσει ένα βραχυκύκλωμα που να έχει ως αποτέλεσμα την πρόκληση ηλεκτροπληξίας, πυρκαγιάς, έκρηξης, η οποία μπορεί να έχει ως αποτέλεσμα τραυματισμό, θάνατο ή υλικές ζημιές. **Ανήλικα:** Εάν το προϊόν προορίζεται από τον "Αγοραστή" για να χρησιμοποιείται από ένα ανήλικο, ο ενήλικας αγοραστής συμφωνεί να παράσχει λεπτομερείς οδηγίες και προειδοποιήσεις σε κάθε ανήλικο πριν από τη χρήση. Η μη τήρηση των ανωτέρω είναι αποκλειστική ευθύνη του "Αγοραστή", ο οποίος συμφωνεί να απαλλάξει από οποιοσδήποτε απαιτήσεις τη NOCO για τυχόν ακούσια ή κακή χρήση από έναν

ανήλικο. **Κίνδυνος πνιγμού.** Τα αεσοούαρ μπορούν να παρουσιάσουν κίνδυνο πνιγμού για τα παιδιά. Μην αφήνετε τα παιδιά σας χωρίς επίβλεψη με τη συσκευή ή οποιοδήποτε αεσοούαρ. Αυτό το προϊόν δεν είναι παιχνίδι. **Χειρισμός.** Ο χειρισμός αυτού του προϊόντος πρέπει να γίνεται με προσοχή. Το προϊόν μπορεί να υποστεί ζημιά εάν χτυπηθεί. Μην χρησιμοποιείτε ένα κατεστραμμένο προϊόν, συμπεριλαμβανομένων, μεταξύ άλλων, ρωγμών στο περίβλημα ή κατεστραμμένων καλωδίων. Μην χρησιμοποιείτε μια συσκευή με ένα κατεστραμμένο καλώδιο. Υγρασία και υγρά μπορούν να καταστρέψουν το προϊόν. Μην χειρίζεστε το προϊόν ή οποιαδήποτε ηλεκτρικά εξαρτήματα κοντά σε οποιοδήποτε υγρό. Αποθηκεύστε και χρησιμοποιήστε το προϊόν σε ξηρό περιβάλλον. Μην χρησιμοποιείτε το προϊόν εάν βραχεί. Εάν το προϊόν είναι ήδη σε λειτουργία και βραχεί, αποσυνδέστε το από την μπαταρία και διακόψτε αμέσως τη χρήση του. Ποτέ μην αποσυνδέετε το προϊόν τραβώντας τα καλώδια. Τροποποιήσεις: Μην επιχειρήσετε να μεταβάλετε να τροποποιήσετε, ή να επισκευάσετε οποιοδήποτε μέρος του προϊόντος. Αποσυναρμολόγηση του προϊόντος μπορεί να προκαλέσει τραυματισμό, θάνατο ή υλικές ζημιές. Εάν το προϊόν υποστεί ζημιά, δυσλειτουργία ή έρθει σε επαφή με οποιοδήποτε υγρό, διακόψτε τη χρήση του και επικοινωνήστε με τη NOCO. Τυχόν τροποποιήσεις του προϊόντος θα ακυρώσει την εγγύησή σας. **Αεσοούαρ.** Το συγκεκριμένο προϊόν είναι εγκεκριμένο για χρήση μόνο με αεσοούαρ NOCO. Η NOCO δεν είναι υπεύθυνη για την ασφάλεια των χρηστών ή ζημιά όταν γίνεται χρήση αεσοούαρ που δεν είναι εγκεκριμένα από την NOCO. **Τοποθέτηση.** Αποτρέψτε το οξύ της μπαταρίας να έρθει σε επαφή με το προϊόν. Μην χρησιμοποιείτε το προϊόν σε ένα κλειστό χώρο ή ένα χώρο με περιορισμένο εξαερισμό. Μη τοποθετείστε μια μπαταρία επάνω στη συσκευή. Τοποθετείστε τους ακροδέκτες έτσι ώστε να αποφύγετε ακούσια ζημιά από τα κινούμενα μέρη του οχήματος (συμπεριλαμβανομένων του καπό και των πορτών), τα κινούμενα εξαρτήματα του κινητήρα (συμπεριλαμβανομένων των πτερυγίων του ανεμιστήρα (φτερωτή), ιμάντες και τροχαλίες), ή ότι θα μπορούσε να γίνει επικίνδυνο πρόκλησης τραυματισμού ή θανάτου. **Θερμοκρασία λειτουργίας.** Αυτό το προϊόν έχει σχεδιαστεί για να λειτουργεί σε θερμοκρασίες περιβάλλοντος μεταξύ -200 C έως 50 D C. Μη το θέτετε σε λειτουργία εκτός αυτού του εύρους θερμοκρασίας. Μην επιχειρήσετε να εκκινήσετε στιγμιαία μια μπαταρία που έχει παγώσει. Διακόψτε τη χρήση του προϊόντος αμέσως αν η μπαταρία υπερθερμανθεί. **Αποθήκευση.** Μην χρησιμοποιείτε ή αποθηκεύετε το προϊόν σε χώρους με υψηλή συγκέντρωση σκόνης ή αερομεταφερόμενα υλικά. Αποθηκεύετε το προϊόν σας σε επίπεδες, ασφαλείς επιφάνειες, έτσι ώστε να μην είναι επιρρεπής σε πτώση. Αποθηκεύετε το προϊόν σας σε ένα ξηρό χώρο. Η θερμοκρασία αποθήκευσης είναι -20°C - 50°C (0 ° C έως + 40 ° C μέση θερμοκρασία). Μην ξεπερνάτε ποτέ τους 80°C υπό οποιοδήποτε συνθήκες. **Συμβατότητα.** Το προϊόν είναι συμβατό μόνο με συστήματα μπαταριών 12 βολτ τύπου μολύβδου - οξέος. Μην επιχειρήσετε να χρησιμοποιήσετε το προϊόν με οποιονδήποτε άλλο τύπο μπαταρίας. Η υποβοήθηση εκκίνησης με χρήση μπαταριών, που διαθέτουν άλλη χημική σύσταση, μπορεί να οδηγήσει σε τραυματισμό, θάνατο ή υλικές ζημιές. Επικοινωνήστε με τον κατασκευαστή της μπαταρίας προτού επιχειρήσετε τη διαδικασία υποβοήθησης εκκίνησης χρησιμοποιώντας την μπαταρία. Μην πραγματοποιείτε υποβοήθηση εκκίνησης εάν δεν γνωρίζετε με βεβαιότητα την ακριβή χημική σύστασή της ή την τάση της. **Η μπαταρία.** Η ενσωματωμένη μπαταρία ιόντων λιθίου του προϊόντος θα πρέπει να αντικαθίσταται μόνο από τη NOCO, και πρέπει να ανακυκλώνεται ή να απορριπτείται ξεχωριστά από τα οικιακά απορρίμματα. Μην επιχειρήσετε να αντικαθιστήσετε τη μπαταρία μόνοι σας και μη χειρίζεστε μια κατεστραμμένη ή με διαρροή μπαταρία ιόντων λιθίου. Ποτέ μην πετάτε την μπαταρία στα οικιακά απορρίμματα. Η απόρριψη μπαταριών στα οικιακά απορρίμματα είναι παράνομη βάσει κρατικών και ομοσπονδιακών περιβαλλοντικών νόμων και κανονισμών. Πηγαίνετε πάντοτε τις παλιές μπαταρίες στο τοπικό κέντρο ανακύκλωσης μπαταριών. Εάν η μπαταρία του προϊόντος υπερθερμανθεί, εκπέμπει μια μυρωδιά, έχει παραμορφωθεί, έχει κτυπηθεί ή αντιμετωπίζει ή επιδεικνύει ασυνήθιστη συμπεριφορά σταματήστε αμέσως κάθε χρήση και επικοινωνήστε με τη NOCO. **Φόρτιση μπαταρίας.** Φορτίστε το προϊόν με τον φορτιστή αυτοκινήτου 12VDC ή τον φορτιστή XGC4 που περιλαμβάνεται στη συσκευασία. Μην χρησιμοποιείτε φορτιστές άγνωστης ονομασίας ή από άλλους κατασκευαστές, καθώς αυτοί μπορεί να ενέχουν σοβαρούς ηλεκτρικούς κινδύνους, οι οποίοι μπορεί να έχουν ως αποτέλεσμα τον τραυματισμό ατόμων, την πρόκληση φθορών στη συσκευή και σε περιουσίες. Η χρήση φθαρμένων καλωδίων ή φορτιστών ή η φόρτιση σε περιβάλλον με παρουσία υγρασίας μπορεί να προκαλέσει ηλεκτροσόκ. Η NOCO δεν ευθύνεται για την ασφάλεια του χρήστη, τυχόν φθορές στη συσκευή ή ζημιές σε

περιουσία, όταν χρησιμοποιείτε αξεσουάρ ή τροφοδοτικά, τα οποία δεν είναι εγκεκριμένα από τη NOCO. Κατά τη χρήση του φορτιστή XG4, εξασφαλίστε ότι το βύσμα έχει συνδεθεί σωστά στο τροφοδοτικό πριν το συνδέσετε στην πρίζα. Το τροφοδοτικό ενδέχεται να ζεσταθεί κατά τη διάρκεια της κανονικής του χρήσης και η παρατεταμένη επαφή του με το δέρμα μπορεί να προκαλέσει σωματικές βλάβες. Να παρέχετε πάντα επαρκή αερισμό γύρω από το τροφοδοτικό, όταν αυτό βρίσκεται σε χρήση. Για να εξασφαλίσετε τη μέγιστη διάρκεια ζωής της μπαταρίας, να αποφεύγετε να φορτίζετε το προϊόν σας για περισσότερο από μια εβδομάδα τη φορά, καθώς η υπερφόρτιση μπορεί να ελαττώσει τη διάρκεια ζωής της μπαταρίας. Με την πάροδο του χρόνου, το προϊόν, όταν δε χρησιμοποιείται, θα αποφορτιστεί και θα πρέπει να επαναφορτιστεί πριν τη χρήση. Αποσυνδέστε το προϊόν από κάθε πηγή τροφοδοσίας όταν δεν το χρησιμοποιείτε. Χρησιμοποιήστε το προϊόν μόνο για την ενδεικνυόμενη χρήση του. **Ιατρικές συσκευές.** Το προϊόν μπορεί να εκπέμπει ηλεκτρομαγνητικά πεδία. Το προϊόν περιέχει μαγνητικά εξαρτήματα τα οποία μπορούν να παρεμβάλουν σε βηματοδότες, απινιδωτή, ή ιατρικές συσκευές. Αυτά τα ηλεκτρομαγνητικά πεδία ενδέχεται να προκαλέσουν παρεμβολές σε βηματοδότες ή άλλες ιατρικές συσκευές. Συμβουλευτείτε το γιατρό σας πριν τη χρήση εάν έχετε οποιαδήποτε ιατρική συσκευή, συμπεριλαμβανομένων και των βηματοδοτών. Εάν υποψιαστείτε ότι το προϊόν προκαλεί παρεμβολές σε μια ιατρική συσκευή διακόψτε τη χρήση του προϊόντος αμέσως και συμβουλευτείτε το γιατρό σας. **Ιατρικές φυσικές καταστάσεις.** Αν έχετε οποιαδήποτε ιατρική φυσική κατάσταση που θεωρείτε ότι θα μπορούσε να επηρεαστεί από το προϊόν, συμπεριλαμβανομένων μεταξύ άλλων, κρίσεων, λιποθυμιών, κόπωση στα μάτια ή πονοκεφάλους, συμβουλευτείτε το γιατρό σας πριν τη χρήση. Η χρήση ενός ενσωματωμένου μεγάλης ισχύος φανού αστραπιαίου φωτός (φλας) εμπεριέχει κίνδυνο σε ευαισθησία στο φως. Η χρήση φωτός σε στροβοσκοπική λειτουργία μπορεί να προκαλέσει κρίση φωτοεπιληψίας σε άτομα, η οποία ενδέχεται να οδηγήσει σε σοβαρό τραυματισμό ή θάνατο. **Φως.** Βλέποντας απ' ευθείας στο φανό αστραπιαίου φωτός (φλας) μπορεί να οδηγήσει σε μόνιμο τραυματισμό των ματιών. Η συσκευή είναι εξοπλισμένη με μια υψηλής απόδοσης προ-εστιασμένη λυχνία LED που εκπέμπει μια πανίσχυρη δέσμη στην υψηλότερη ρύθμιση. **Καθαρισμός.** Αποσυνδέστε το προϊόν από την παροχή ρεύματος πριν επιχειρήσετε οποιαδήποτε συντήρηση ή καθαρισμό. Καθαρίστε και στεγνώστε το προϊόν αμέσως εάν έρθει σε επαφή με υγρό ή οποιουδήποτε είδους ρύπος. Χρησιμοποιήστε ένα μαλακό (μικροϊνών) πανί που δεν αφήνει χνούδι. Αποφύγετε τη συσσώρευση υγρασίας στα ανοίγματα. **Εκρηκτική ατμόσφαιρα.** Τηρείτε όλα τα σήματα και τις οδηγίες. Μην χρησιμοποιείτε το προϊόν σε οποιοδήποτε χώρο με δυναμικά εκρηκτική ατμόσφαιρα, συμπεριλαμβανομένων περιοχών τροφοδοσίας καυσίμων ή περιοχές που περιέχουν χημικά ή σωματίδια, όπως αιτηρά, σκόνη ή μεταλλική σκόνη. **Δραστηριότητες που έχουν υψηλές συνέπειες.** Αυτό το προϊόν δεν προορίζεται για χρήση όπου η αποτυχία λειτουργίας του προϊόντος θα μπορούσε να οδηγήσει σε τραυματισμό, θάνατο ή σοβαρές περιβαλλοντικές ζημιές. **Παρεμβολή Ραδιοσυχνότητας.** Το προϊόν έχει σχεδιαστεί, ελεγχθεί και κατασκευαστεί έτσι ώστε να συμμορφώνεται με τους κανονισμούς που διέπουν την ραδιοφωνική συχνότητα εκπομπών. Τέτοιες εκπομπές από το προϊόν μπορούν να επηρεάσουν αρνητικά τη λειτουργία άλλου ηλεκτρονικού εξοπλισμού, προκαλώντας τους βλάβη. **Αριθμός μοντέλου: GB251** Αυτή η συσκευή συμμορφώνεται με το Τμήμα 15 των κανονισμών της Ομοσπονδιακής Επιτροπής Επικοινωνιών, OEE (FCC) των ΗΠΑ. Η λειτουργία υπόκειται στις εξής δύο προϋποθέσεις: (1) η συσκευή αυτή δεν πρέπει να προκαλεί επιβλαβείς παρεμβολές και (2) η συσκευή αυτή πρέπει να αποδέχεται τις τυχόν λαμβανόμενες παρεμβολές, συμπεριλαμβανομένων και των παρεμβολών που ενδέχεται να προκαλέσουν ανεπιθύμητη λειτουργία. ΣΗΜΕΙΩΣΗ: Αυτός ο εξοπλισμός έχει ελεγχθεί και έχει διαπιστωθεί ότι συμμορφώνεται με τα όρια για ψηφιακές συσκευές κατηγορίας Α, σύμφωνα με το Τμήμα 15 των Κανόνων Ομοσπονδιακής Επιτροπής Επικοινωνιών, OEE (FCC) των ΗΠΑ. Αυτά τα όρια έχουν εκπονηθεί για να παράσχουν λογική προστασία κατά των επιβλαβών παρεμβολών όταν η συσκευή λειτουργεί σε ένα εμπορικό περιβάλλον. Η συσκευή αυτή δημιουργεί, χρησιμοποιεί και μπορεί να εκπέμπει ενέργεια ραδιοφωνικής συχνότητας και, αν δεν εγκατασταθεί και δεν χρησιμοποιείται σύμφωνα με το εγχειρίδιο οδηγιών, μπορεί να προκαλέσει βλαπτικές παρεμβολές στις ραδιοεπικοινωνίες. Η λειτουργία αυτής της συσκευής σε μια κατοικημένη περιοχή πιθανόν να προκαλέσει επιβλαβή παρεμβολή, στην οποία περίπτωση θα ζητηθεί από το χρήστη να λάβει, με δικές του δαπάνες, οποιαδήποτε μέτρα μπορεί να χρειασθούν για την επιδιόρθωση της παρεμβολής.

Τρόπος χρήσης

Βήμα 1: Φόρτιση του GB251.

Το GB251 αποστέλλεται μερικώς φορτισμένο και πρέπει να φορτιστεί πλήρως πριν τη χρήση. Συνδέστε το GB251, χρησιμοποιώντας τον φορτιστή αυτοκινήτου 12V DC ή τον φορτιστή XGC4 που περιλαμβάνεται στη συσκευασία στη θύρα 12V IN. Ο χρόνος που απαιτείται για την επαναφόρτιση του GB251 θα διαφέρει ανάλογα με το επίπεδο αποφόρτισης και την πηγή παροχής ρεύματος που χρησιμοποιείται. Τα πραγματικά αποτελέσματα μπορεί να διαφέρουν λόγω της κατάστασης της μπαταρίας και του επιπέδου αποφόρτισης.

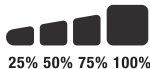
Κατά τη φόρτιση, το επίπεδο φόρτισης της εσωτερικής μπαταρίας υποδεικνύεται από τις λυχνίες φόρτισης LED. Τα LED θα πάλλονται αργά σε 'On' και 'Off' και θα παραμείνουν σταθερά αναμμένα έως ότου και τα τέσσερα φώτα φόρτισης LED ενεργοποιηθούν. Όταν η μπαταρία είναι πλήρως φορτισμένη, η πράσινη λυχνία LED 100% θα παραμείνει σταθερά αναμμένη, και οι λυχνίες φόρτισης LED 25%, 50% και 75% θα σβήσουν (Off). Από καιρό σε καιρό, η πράσινη λυχνία LED 100% θα πάλλεται υποδηλώνοντας ότι λαμβάνει χώρα φόρτιση συντήρησης.

Βήμα 2: Σύνδεση με την μπαταρία.

Διαβάστε προσεκτικά και κατανοήστε το εγχειρίδιο χρήσης ιδιοκτήτη, όσον αφορά συγκεκριμένα μέτρα προφύλαξης και συνιστώμενες μεθόδους για την εκκίνηση του οχήματος. Επιβεβαιώστε την τάση και τη χημική σύνθεση της μπαταρίας, ανατρέχοντας στο εγχειρίδιο χρήστη της μπαταρίας σας προτού χρησιμοποιήσετε αυτό το προϊόν. Το GB251 προορίζεται αποκλειστικά και μόνο για εκκίνηση συστημάτων μπαταριών μολύβδου-οξέος 24 βολτ. Προτού συνδέσετε την μπαταρία, επιβεβαιώστε ότι το σύστημα μπαταρίας που έχετε είναι 24 βολτ μολύβδου-οξέος. Το GB251 δεν είναι κατάλληλο για οποιονδήποτε άλλο τύπο μπαταρίας. Αναγνωρίστε τη σωστή πολικότητα των πόλων της μπαταρίας. Ο θετικός πόλος της μπαταρίας επισημαίνεται, συνήθως, με ένα από αυτά τα γράμματα ή σύμβολα (POS,P,+). Ο αρνητικός πόλος της μπαταρίας επισημαίνεται, συνήθως, με ένα από αυτά τα γράμματα ή σύμβολα (NEG,N,-). Μη συνδέσετε τίποτε στο καρμπυρατέρ,

Χρόνος επαναφόρτισης:	Ονομαστικά χαρακτηριστικά φορτιστή:
5hr	56W

Επίπεδο φόρτισης της εσωτερικής μπαταρίας.



τους σωλήνες καυσίμου ή τμήματα που αποτελούνται από λεπτά, μεταλλικά φύλλα. Οι παρακάτω οδηγίες αφορούν ένα σύστημα αρνητικής γείωσης (το πλέον διαδεδομένο). Εάν το όχημά σας διαθέτει σύστημα θετικής γείωσης (εξαιρετικά ασύνηθες), συμβουλευτείτε το εγχειρίδιο του οχήματός σας για τις κατάλληλες οδηγίες εκκίνησης.

1.) Συνδέστε τον σφικτήρα του θετικού ακροδέκτη της μπαταρίας (κόκκινο) στον θετικό (POS,P,+) πόλο της μπαταρίας και τον αρνητικό (μαύρο) σφικτήρα της μπαταρίας στον αρνητικό (NEG,N,-) πόλο της μπαταρίας ή στο πλαίσιο του οχήματος.

Βήμα 3: Στιγμιαία εκκίνηση αυτοκινήτου.

1.) Βεβαιωθείτε ότι όλα τα φορτία ισχύος του αυτοκινήτου (προβολείς, ραδιόφωνο, κλιματιστικό, κλπ) είναι απενεργοποιημένα προτού επιχειρήσετε την στιγμιαία εκκίνηση του οχήματος.

2.) Πατήστε το κουμπί ενεργοποίησης για να ξεκινήσετε την εκκίνηση και όλα τα LED θα αναβοσβήσουν μία φορά. Εάν έχετε συνδέσει σωστά την μπαταρία, το λευκό boost LED θα ανάψει και τα LED φόρτισης μπαταρίας θα ακολουθήσουν. Θα ξεκινήσει μια αντίστροφη μέτρηση χρόνου αμαμονής 60 Δευτερολέπτων αμέσως μόλις ανιχνευθεί η μπαταρία.

3.) Επιχειρήστε την εκκίνηση του αυτοκινήτου. Τα περισσότερα οχήματα θα ξεκινήσουν αμέσως. Ορισμένα οχήματα μπορεί να απαιτούν το GB251 να συνδεθεί έως και 30 δευτερόλεπτα πριν την εκκίνηση. Αν το όχημα δεν ξεκινήσει αμέσως, περιμένετε 20-30 δευτερόλεπτα και προσπαθήστε ξανά. Μην προσπαθήσετε περισσότερες από πέντε (5) συνεχόμενες στιγμιαίες εκκινήσεις εντός μιας περιόδου των 15 λεπτών. Αφήστε το GB251 σε αδράνεια για δεκαπέντε (15) λεπτά πριν επιχειρήσετε να εκκινήσετε ξανά το αυτοκίνητο.

4.) Από τη στιγμή που έχετε εκκινήσει το όχημα, αποσυνδέστε τις τσιμπίδες (κροκοδιλάκια) μπαταρίας, και αφαιρέστε το GB251.

Χρόνος Αναμονής 60 Δευτερολέπτων.

Μόλις ανιχνευθεί μπαταρία, θα ξεκινήσει μια Αντίστροφη Μέτρηση 60 Δευτερολέπτων. Μόλις περάσουν τα 60 δευτερόλεπτα, η λειτουργία εκκίνησης θα απενεργοποιηθεί. Το boost LED θα σβήσει και τα LED φόρτισης εσωτερικής μπαταρίας θα δείξουν το τρέχον επίπεδο φορτίου της μονάδας. Για επαναφορά της λειτουργίας εκκίνησης, πατήστε το κουμπί ενεργοποίησης για να απενεργοποιήσετε τη μονάδα. Πατήστε το κουμπί ενεργοποίησης εκ νέου για να ενεργοποιήσετε τη μονάδα και να ξεκινήσετε εκ νέου τη λειτουργία εκκίνησης.

ΠΡΟΣΟΧΗ.

Η ΑΝΤΙΣΤΡΟΦΗ ΜΕΤΡΗΣΗ 60 ΔΕΥΤΕΡΟΛΕΠΤΩΝ ΕΙΝΑΙ ΑΠΕΝΕΡΓΟΠΟΙΗΜΕΝΗ ΟΤΑΝ ΧΡΗΣΙΜΟΠΟΙΕΙΤΕ ΤΗ ΛΕΙΤΟΥΡΓΙΑ ΧΕΙΡΟΚΙΝΗΤΗΣ ΠΑΡΑΚΑΜΨΗΣ. Η ΠΑΡΟΧΗ ΙΣΧΥΟΣ ΘΑ ΣΥΝΕΧΙΖΕΤΑΙ ΓΙΑ ΟΣΟ ΔΙΑΣΤΗΜΑ ΕΙΝΑΙ ΕΝΕΡΓΟΠΟΙΗΜΕΝΗ Η ΧΕΙΡΟΚΙΝΗΤΗ ΠΑΡΑΚΑΜΨΗ. ΓΙΑ ΝΑ ΜΕΓΙΣΤΟΠΟΙΗΣΕΤΕ ΤΟΝ ΑΡΙΘΜΟ ΤΩΝ ΕΚΚΙΝΗΣΕΩΝ, ΣΑΣ ΣΥΝΙΣΤΟΥΜΕ ΝΑ ΑΠΕΝΕΡΓΟΠΟΙΗΣΕΤΕ ΤΗ ΜΟΝΑΔΑ BOOST ΑΜΕΣΩΣ ΜΟΛΙΣ ΞΕΚΙΝΗΣΕΙ ΤΟ ΟΧΗΜΑ.

Μπαταρίες χαμηλής τάσης & χειροκίνητη παράκαμψη.

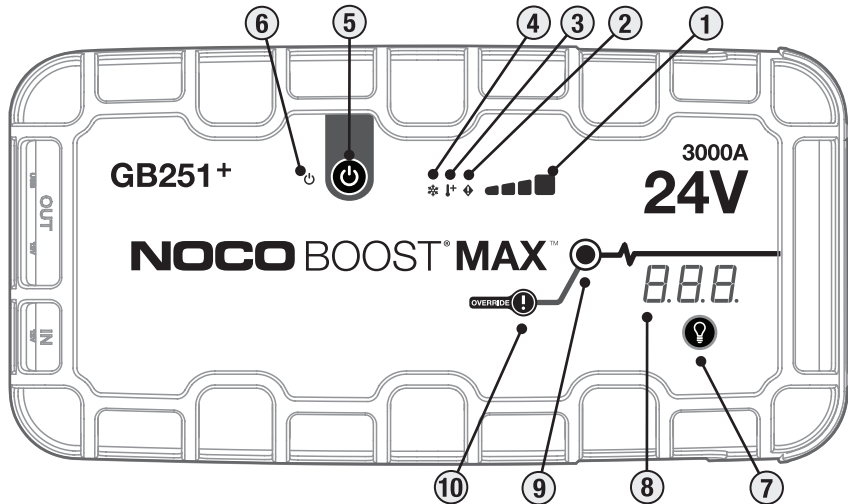
Το GB251 είναι σχεδιασμένο για να εκκινεί συστήματα μπαταριών μολύβδου - οξέος 24 βολτ με τάση που έχει πέσει έως και τα 2 βολτ. Εάν η τάση της μπαταρίας σας είναι μικρότερη από 2 βολτ, το boost LED θα είναι απενεργοποιημένο. Αυτό αποτελεί ένδειξη ότι το GB251 δεν μπορεί να ανιχνεύσει την μπαταρία. Εάν θέλετε να εκκινήσετε μια μπαταρία με τάση μικρότερη των 2 βολτ, υπάρχει λειτουργία χειροκίνητης παράκαμψης, η οποία σας επιτρέπει να ενεργοποιήσετε εξαναγκαστικά τη λειτουργία εκκίνησης. Εάν η τάση της μπαταρίας είναι μικρότερη από 2 βολτ, το boost LED θα είναι απενεργοποιημένο και δεν θα εμφανίζεται η τάση στο βολτόμετρο.

ΠΡΟΣΟΧΗ.

ΧΡΗΣΙΜΟΠΟΙΗΣΤΕ ΑΥΤΗ ΤΗ ΛΕΙΤΟΥΡΓΙΑ ΜΕ ΕΞΑΙΡΕΤΙΚΑ ΜΕΓΑΛΗ ΠΡΟΣΟΧΗ. ΑΥΤΗ Η ΛΕΙΤΟΥΡΓΙΑ ΠΡΟΟΡΙΖΕΤΑΙ ΑΠΟΚΛΕΙΣΤΙΚΑ ΚΑΙ ΜΟΝΟ ΓΙΑ ΣΥΣΤΗΜΑΤΑ ΜΠΑΤΑΡΙΑΣ ΜΟΛΥΒΔΟΥ - ΟΞΕΟΣ 24 ΒΟΛΤ. ΤΟΣΟ Η ΠΡΟΣΤΑΣΙΑ ΚΑΤΑ ΣΠΙΝΘΗΡΩΝ ΟΣΟ ΚΑΙ Η ΠΡΟΣΤΑΣΙΑ ΑΝΤΙΣΤΡΟΦΗΣ ΠΟΛΙΚΟΤΗΤΑΣ ΕΙΝΑΙ ΑΠΕΝΕΡΓΟΠΟΙΗΜΕΝΕΣ. ΠΡΟΣΞΕΤΕ ΙΔΙΑΙΤΕΡΑ ΤΗΝ ΠΟΛΙΚΟΤΗΤΑ ΤΗΣ ΜΠΑΤΑΡΙΑΣ ΠΡΟΤΟΥ ΧΡΗΣΙΜΟΠΟΙΗΣΕΤΕ ΑΥΤΗ ΤΗ ΛΕΙΤΟΥΡΓΙΑ. ΜΗΝ ΑΦΗΣΕΤΕ ΤΟΥΣ ΣΦΙΓΚΤΗΡΕΣ ΤΟΥ ΘΕΤΙΚΟΥ ΚΑΙ ΤΟΥ ΑΡΝΗΤΙΚΟΥ ΑΚΡΟΔΕΚΤΗ ΜΠΑΤΑΡΙΑΣ ΝΑ ΑΚΟΥΜΠΗΣΟΥΝ Ή ΝΑ ΣΥΝΔΕΘΟΥΝ Ο ΕΝΑΣ ΜΕ ΤΟΝ ΑΛΛΟΝ, ΚΑΘΩΣ ΕΤΣΙ ΤΟ ΠΡΟΪΟΝ ΘΑ ΠΑΡΑΓΕΙ ΣΠΙΝΘΗΡΕΣ. ΑΥΤΗ Η ΛΕΙΤΟΥΡΓΙΑ ΧΡΗΣΙΜΟΠΟΙΕΙ ΡΕΥΜΑ ΠΟΛΥ ΥΨΗΛΗΣ ΕΝΤΑΣΗΣ (ΕΩΣ ΚΑΙ 3000 AMPS) Η ΟΠΟΙΑ ΜΠΟΡΕΙ ΝΑ ΠΡΟΚΑΛΕΣΕΙ ΣΠΙΝΘΗΡΕΣ ΚΑΙ ΥΨΗΛΗ ΘΕΡΜΟΚΡΑΣΙΑ ΕΑΝ ΔΕΝ ΧΡΗΣΙΜΟΠΟΙΗΘΕΙ ΣΩΣΤΑ. ΕΑΝ ΔΕΝ ΕΙΣΤΕ ΣΙΓΟΥΡΟΙ ΓΙΑ ΤΗ ΧΡΗΣΗ ΑΥΤΗΣ ΤΗΣ ΛΕΙΤΟΥΡΓΙΑΣ, ΜΗΝ ΕΠΙΧΕΙΡΗΣΕΤΕ ΝΑ ΤΗ ΧΡΗΣΙΜΟΠΟΙΗΣΕΤΕ ΚΑΙ ΖΗΤΗΣΤΕ ΤΗ ΒΟΗΘΕΙΑ ΕΝΟΣ ΕΠΑΓΓΕΛΜΑΤΙΑ.

Τροφοδοτώντας τις Συσκευές USB & 12V σας.

Το GB251 διαθέτει (2) θύρες USB-OUT και μια θύρα 12V-OUT (12V AUX/ θύρα αναπτήρα αυτοκινήτου). Συνδέστε μια οποιαδήποτε συσκευή USB ή συσκευή που λειτουργεί με τάση 12V (Εως και 15A) και ενεργοποιήστε το GB251 για να ξεκινήσετε την τροφοδοσία των συσκευών σας.



Διεπαφή

1.) Επίπεδο φόρτισης της εσωτερικής μπαταρίας. Υποδεικνύει το επίπεδο φόρτισης της εσωτερικής μπαταρίας.

2.) LED σφάλματος. Ανάβει με κόκκινο χρώμα αν εντοπιστεί αντίστροφη πολικότητα ή αναβοσβήνει "on" και "off" σε διάφορες ακολουθίες (από 1 έως 6 αναβοσβήνει) για να μεταφέρει συνθήκες σφάλματος.

3.) Η μονάδα είναι ζεστή, η λυχνία LED ανάβει σταθερά κόκκινη. Η μονάδα είναι πλήρως λειτουργική, αλλά πλησιάζει το ανώτερο όριο θερμοκρασίας. Αναβοσβήνει κόκκινο; Η μονάδα είναι πολύ ζεστή για να ξεκινήσει, μόνο ο φακός είναι διαθέσιμος σε αυτήν την κατάσταση.

4.) Η μονάδα είναι κρύα η λυχνία LED ανάβει σταθερά Μπλέ. Η μονάδα είναι πλήρως λειτουργική, αλλά πλησιάζει το κατώτερο όριο θερμοκρασίας. Μπλε που αναβοσβήνει; Η μονάδα είναι πολύ κρύα για να ξεκινήσει, μόνο ο φακός είναι διαθέσιμος σε αυτήν την κατάσταση.

5.) Κομπι λειτουργίας. Πίστετε για να ενεργοποιηστεί "On" ή να απενεργοποιηθεί "Off", τη μονάδα,

6.) LED Λειτουργίας. Ανάβει λευκό όταν η μονάδα είναι ενεργοποιημένη, "On". Θα ανάψει πορτοκαλί μετά την αντίστροφη μέτρηση των 60 δευτερολέπτων μέχρι να αφαιρεθούν οι σφικτήρες από την μπαταρία αυτοκινήτου ή το GB251 να ενεργοποιηθεί ξανά και να ενεργοποιηθεί ξανά.



7.) Κομπι λειτουργίας φωτισμού. Εναλλάσσει την υπερ-φωτεινή λυχνία LED μέσω 7 τρόπων λειτουργίας φωτισμού 100% > 50% > 10% > SOS > Γρήγορο αναβόσβημα (Blink) > Στροβοσκοπική (Strobe) > Απενεργοποίηση (Off).

8 . Χρονόμετρο βολτόμετρου / αντίστροφης μέτρησης Το ενασωματωμένο βολτόμετρο μετρά την τάση της μπαταρίας του αυτοκινήτου για βελτιωμένη διάγνωση και αντιμετώπιση προβλημάτων. Το βολτόμετρο θα μετρήσει αυτόματα την τάση της κάθε μπαταρίας (ή σύστημα μπαταρίας) όταν οι τσιμπίδες (κροκοδιάλια) είναι συνδεδεμένες, ακόμη και αν η μονάδα είναι απενεργοποιημένη. Το βολτόμετρο θα μετρήσει μεταξύ ~3V και ~30V. Εάν η συνδεδεμένη μπαταρία είναι κάτω από 3V, τίποτα δεν θα εμφανίζεται. Αν η τάση είναι χαμηλή, υπάρχει η πιθανότητα να υπάρχει ένα φορτίο(-α) στη μπαταρία, όπως προβολείς ή ανεμιστήρας κλιματιστικού, τα οποία θα πρέπει να απενεργοποιηθούν πριν επιχειρήσετε την εκκίνηση του οχήματος. Ενώ η μονάδα είναι ενεργοποιημένη και μετά την ανίχνευση μιας μπαταρίας, το βολτόμετρο θα εμφανίσει την αντίστροφη μέτρηση των 60 δευτερολέπτων.

9.) LED ισχυρής στιγμιαίας φόρτισης. Ανάβει λευκό όταν η ταχεία στιγμιαία φόρτιση είναι ενεργή. Εάν η μονάδα έχει συνδεθεί σωστά στην μπαταρία, το GB251 θα εντοπίσει αυτόματα μια μπαταρία και θα τεθεί σε λειτουργία ταχείας φόρτισης (η λυχνία LED αναβοσβήνει με λευκό φως όταν η χειροκίνητη λειτουργία παράκαμψης είναι ενεργή).

10.) Κομπι χειροκίνητης παράκαμψης. Προς ενεργοποίηση, πίεστε το και κρατήστε το πατημένο για τρία (3) δευτερόλεπτα. **ΠΡΟΕΙΔΟΠΟΙΗΣΗ:** Απενεργοποιεί την προστασία ασφάλειας και χειροκίνητα επιτρέπει να ισχύει η ταχεία φόρτιση, "On". Μόνο για χρήση όταν η τάση της μπαταρίας είναι πολύ χαμηλή για να ανιχνευθεί.

Αντιμετώπιση προβλημάτων

Σφάλμα	Αιτία/Λύση
LED ένδειξης σφάλματος. Σταθερό κόκκινο	Αντίστροφη πολικότητα/Αντιστρέψτε τις συνδέσεις της μπαταρίας.
LED ένδειξης σφάλματος. Αναβοσβήνει γρήγορα το κόκκινο με τα καλώδια να είναι συνδεδεμένα σωστά	Ανιχνεύθηκε Βραχυκύκλωμα στους σφινκτήρες της μπαταρίας. / Ελέγξτε την μπαταρία από έναν επαγγελματία.
Αναβοσβήνει (1) Φορά	Ανιχνεύθηκε Βραχυκύκλωμα στους σφινκτήρες της μπαταρίας. / Αφαιρέστε όλα τα φορτία, επανασυνδέστε τους σφινκτήρες στην μπαταρία.
 Διπλό (2) φλας	Εντοπίστηκε υψηλή τάση στους σφινκτήρες (το GB251 είναι συνδεδεμένο σε σύστημα τάσης μεγαλύτερο από 24V).
Τετραπλό (4) φλας	Σφάλμα χρονικού ορίου φόρτισης (δηλαδή το GB251 έχει μαζική φόρτιση για πολύ καιρό)
Πενταπλάσιο (5) Φλας	XGC OUT over current (δηλ. Αντλούνται περισσότεροι από 15 amp από τη θύρα XGC OUT)
Sextuple (6) Flash	Σφάλμα BMS (Σύστημα Διαχείρισης Μπαταρίας). (Ισχύς GB251 "off" και "on" ξανά για εκκαθάριση. Εάν το πρόβλημα παραμένει επικοινωνήστε με την Υποστήριξη πελατών)
Η μονάδα είναι ζεστή το LED: Συνεχές	Η μονάδα είναι πλήρως λειτουργική αλλά πλησιάζει το ανώτερο όριο θερμοκρασίας. / Αφήστε τη συσκευή να κρυώσει.
Η μονάδα είναι ζεστή το LED: Αναβοσβήνει (Flash)	Η μονάδα είναι πολύ ζεστή για να ξεκινήσει, μόνο ο φακός είναι διαθέσιμος σε αυτήν την κατάσταση. / Αφήστε τη μονάδα να κρυώσει.
 Η μονάδα είναι θερμή το LED: Αναβοσβήνει (φλας) κατόπιν όλες οι λυχνίες LED απενεργοποιούνται (Off).	Η μονάδα είναι πολύ ζεστή για στιγμιαία εκκίνηση ή για τη χρήση άλλων λειτουργιών / Αφήστε τη συσκευή να κρυώσει, και μεταφέρετε την μονάδα σε ψυχρότερο περιβάλλον.

❄️	Η μονάδα είναι κρύα το LED: Συνεχές	Η μονάδα είναι πλήρως λειτουργική αλλά πλησιάζει το κατώτερο όριο θερμοκρασίας. / Αφήστε τη μονάδα να προθερμανθεί.
	Η μονάδα είναι κρύα το LED: Αναβοσβήνει (φλας)	Η μονάδα είναι πολύ κρύα για να ξεκινήσει, μόνο ο φακός είναι διαθέσιμος σε αυτήν την κατάσταση / Αφήστε τη μονάδα να ζεσταθεί.
	Η μονάδα είναι κρύα το LED: Αναβοσβήνει (φλας) κατόπιν όλες οι λυχνίες LED απενεργοποιούνται (Off).	Η μονάδα είναι πολύ κρύα για στιγμιαία εκκίνηση ή για τη χρήση άλλων λειτουργιών / Αφήστε τη συσκευή να προθερμανθεί, και μεταφέρετε την μονάδα σε θερμότερο περιβάλλον.
	Η λυχνία ισχυρής στιγμιαίας φόρτισης δεν ανάβει με τα καλώδια συνδεδεμένα σωστά	Η συνδεδεμένη μπαταρία είναι χαμηλότερη από 3 volt/Αφαιρέστε όλα τα φορτία, και δοκιμάστε ξανά ή χρησιμοποιήστε τη χειροκίνητη λειτουργία παράκαμψης.

Τεχνικές προδιαγραφές

Εσωτερική μπαταρία: 137Wh Μπαταρία ιόντων λιθίου	12V (είσοδος): 12V/5A (14V Μέγιστη)
Μέγιστη ονομαστική τιμή ρεύματος: 3000A	12V (Έξοδος): 12V, 15V Μέγιστη
Θερμοκρασία λειτουργίας: -20°C έως +50°C	Περίβλημα προστασίας: IP65 (με τις θύρες κλειστές)
Θερμοκρασία Φόρτισης: 0°C έως +40°C	Ψύξη: Φυσική μεταφορά θερμότητας
Θερμοκρασία αποθήκευσης: -20°C έως +50°C (Μέση θερμοκρασία).	Διαστάσεις (Μ x Π x Υ): 31,75 x 20,83 x 3,39 Εκατοστά
USB (Έξοδος): 5V 2.1A	Βάρος: 6,19 κιλά (13,65 lb)

NOCO ένα (1) έτος περιορισμένη εγγύηση

Η εταιρεία NOCO ("NOCO") εγγυάται ότι αυτό το προϊόν (το «Προϊόν») δεν είναι ελαττωματικό ούτε όσον αφορά τα υλικά ούτε όσον αφορά την εργασία για περίοδο ενός (1) έτους από την ημερομηνία αγοράς (η Περίοδος Εγγύησης). Για ελαττώματα που αναφέρθηκαν κατά τη διάρκεια της περιόδου εγγύησης, θα είναι, στην διακριτική ευχέρεια της NOCO, και με την επιφύλαξη της ανάλυσης από τη τεχνική υποστήριξη της NOCO, είτε να επισκευάσει είτε να αντικαταστήσει τα ελαττωματικά προϊόντα. Τα προς αντικατάσταση εξαρτήματα και προϊόντα θα είναι νέα ή λειτουργικά έτοιμα μεταχειρισμένα μέρη συγκρινόμενα στην λειτουργία και απόδοση του αρχικού εξαρτήματος και εγγυημένα για το υπόλοιπο της αρχικής περιόδου εγγύησης.

Η ΕΥΘΥΝΗ ΤΗΣ ΕΤΑΙΡΕΙΑΣ NOCO ΩΣ ΚΑΤΩΤΕΡΩ ΠΕΡΙΟΡΙΖΕΤΑΙ ΡΗΤΑ ΣΕ ΑΝΤΙΚΑΤΑΣΤΑΣΗ Ή ΕΠΙΣΚΕΥΗ, ΣΤΟ ΜΕΓΙΣΤΟ ΒΑΘΜΟ ΠΟΥ ΕΠΙΤΡΕΠΕΤΑΙ ΑΠΟ ΤΟ ΝΟΜΟ. Η NOCO ΔΕ ΘΑ ΕΥΘΥΝΕΤΑΙ ΣΕ ΟΠΟΙΟΔΗΠΟΤΕ ΑΓΟΡΑΣΤΗ ΤΟΥ ΠΡΟΪΟΝΤΟΣ Ή ΣΕ ΟΠΟΙΟΔΗΠΟΤΕ ΤΡΙΤΟ ΓΙΑ ΤΥΧΟΝ ΕΙΔΙΚΕΣ, ΕΜΜΕΣΕΣ, ΑΠΟΘΕΤΙΚΕΣ Ή ΠΑΡΑΔΕΙΓΜΑΤΙΚΕΣ ΖΗΜΙΕΣ, ΣΥΜΠΕΡΙΛΑΜΒΑΝΟΜΕΝΩΝ, ΕΝΔΕΙΚΤΙΚΑ ΣΕ, ΑΠΩΛΕΙΑ ΚΕΡΔΩΝ, ΥΛΙΚΕΣ ΖΗΜΙΕΣ Ή ΠΡΟΣΩΠΙΚΟ ΤΡΑΥΜΑΤΙΣΜΟ ΠΟΥ ΣΧΕΤΙΖΟΝΤΑΙ ΜΕ ΟΠΟΙΟΝΔΗΠΟΤΕ ΤΡΟΠΟ ΜΕ ΤΟ ΠΡΟΪΟΝ ΜΕ ΟΠΟΙΟ ΤΡΟΠΟ ΚΑΙ ΑΝ ΠΡΟΚΛΗΘΗΚΑΝ, ΑΚΟΜΗ ΚΑΙ ΑΝ Η NOCO ΕΓΝΩΡΙΖΕ ΓΙΑ ΤΟ ΕΝΔΕΧΟΜΕΝΟ ΑΥΤΩΝ ΤΩΝ ΖΗΜΙΩΝ. ΟΙ ΕΓΓΥΗΣΕΙΣ ΠΟΥ ΑΝΑΦΕΡΟΝΤΑΙ ΣΤΟ ΠΑΡΟΝ ΕΙΝΑΙ ΑΝΤΙ ΓΙΑ ΟΛΕΣ ΤΙΣ ΆΛΛΕΣ ΕΓΓΥΗΣΕΙΣ, ΡΗΤΕΣ, ΑΜΕΣΕΣ, ΕΜΜΕΣΕΣ, ΕΚ ΤΟΥ ΝΟΜΟΥ Ή ΜΕ ΆΛΛΟ ΤΡΟΠΟ ΣΥΜΠΕΡΙΛΑΜΒΑΝΟΜΕΝΩΝ ΧΩΡΙΣ ΠΕΡΙΟΡΙΣΜΟ ΤΩΝ ΕΜΜΕΣΩΝ ΕΓΓΥΗΣΕΩΝ ΕΜΠΟΡΕΥΣΙΜΟΤΗΤΑΣ ΚΑΙ ΚΑΤΑΜΗΛΟΤΗΤΑΣ ΓΙΑ ΣΥΓΚΕΚΡΙΜΕΝΟ ΣΚΟΠΟ, ΚΑΙ ΕΚΕΙΝΩΝ ΠΟΥ ΠΡΟΚΥΠΤΟΥΝ ΑΠΟ ΤΗ ΔΙΑΧΕΙΡΙΣΗ, ΤΗ ΧΡΗΣΗ Ή ΤΗΝ ΕΜΠΟΡΙΚΗ ΠΡΑΚΤΙΚΗ. ΣΕ ΠΕΡΙΠΤΩΣΗ ΠΟΥ ΤΥΧΟΝ ΙΣΧΥΟΝΤΕΣ ΝΟΜΟΙ ΕΠΙΒΑΛΛΟΥΝ ΕΓΓΥΗΣΕΙΣ, ΟΡΟΥΣ Ή ΥΠΟΧΡΕΩΣΕΙΣ ΠΟΥ ΔΕΝ ΜΠΟΡΟΥΝ ΝΑ ΞΑΙΡΕΘΟΥΝ Ή ΝΑ ΤΡΟΠΟΠΟΙΗΘΟΥΝ, Η ΠΑΡΟΥΣΑ ΠΑΡΑΓΡΑΦΟΣ ΕΦΑΡΜΟΖΕΤΑΙ ΣΤΟ ΜΕΓΑΛΥΤΕΡΟ ΒΑΘΜΟ ΠΟΥ ΕΠΙΤΡΕΠΕΤΑΙ ΑΠΟ ΤΗ ΣΧΕΤΙΚΗ ΝΟΜΟΘΕΣΙΑ.

ΑΥΤΗ Η ΠΕΡΙΟΡΙΣΜΕΝΗ ΕΓΓΥΗΣΗ ΠΙΝΕΤΑΙ ΑΠΟΚΛΕΙΣΤΙΚΑ ΑΠΟ ΤΗ NOCO ΠΡΟΣ ΟΦΕΛΟΣ ΤΟΥ ΑΡΧΙΚΟΥ ΑΓΟΡΑΣΤΗ ΤΟΥ ΠΡΟΪΟΝΤΟΣ Ή ΑΠΟ ΕΓΚΕΚΡΙΜΕΝΟ ΠΩΛΗΤΗ Ή ΔΙΑΝΟΜΕΑ ΤΗΣ NOCO ΚΑΙ ΔΕΝ ΕΙΝΑΙ ΔΥΝΑΤΟΝ ΝΑ ΜΕΤΑΒΙΒΑΣΤΕΙ Ή ΝΑ ΕΚΧΩΡΗΘΕΙ. Για να διεκδικήσει ο αγοραστής μια εγγύηση θα πρέπει: (1) να διεκδικήσει και να λάβει ένα αριθμό Έγκρισης Επιστροφής Υλικού [EEY] ("RMA") και να λάβει από την υποστήριξη της NOCO πληροφορίες για το τόπο επιστροφής (0 «τόπος επιστροφής») μέσω ηλεκτρονικού μηνύματος στη διεύθυνση support@no.co ή τηλεφωνικά στο αριθμό 1.800.456.6626; και (2) την αποστολή του προϊόντος, συμπεριλαμβανομένου του αριθμού της [EEY] ("RMA"), την απόδειξη ή την χρέωση της εγγύησης (χρέωση απαιτείται μόνο εάν δεν παρέχεται η απόδειξη) στο 45% του MSRP [Manufacturer's Suggested Retail Price] (Τιμή λιανικής που συστήνεται από τον κατασκευαστή) του ελαττωματικού προϊόντος (το «τέλος εγγύησης») [η Έγκριση Επιστροφής Υλικού [EEY] (RMA) θα περιλαμβάνει το ποσό χρέωσης εγγύησης] για τον τόπο επιστροφής. ΜΗΝ ΑΠΟΣΤΕΙΛΕΤΕ ΤΟ ΠΡΟΪΟΝ ΧΩΡΙΣ ΠΡΩΤΑ ΝΑ ΛΑΒΕΤΕ ΤΗΝ Έγκριση Επιστροφής Υλικού [EEY] ("RMA") ΑΠΟ ΤΟ ΤΜΗΜΑ ΥΠΟΣΤΗΡΙΞΗΣ ΤΗΣ NOCO.

Ο ΑΡΧΙΚΟΣ ΑΓΟΡΑΣΤΗΣ ΕΙΝΑΙ ΥΠΕΥΘΥΝΟΣ (ΚΑΙ ΠΡΕΠΕΙ ΝΑ ΠΡΟΠΛΗΡΩΣΕΙ) ΤΑ ΕΞΟΔΑ ΣΥΣΚΕΥΑΣΙΑΣ ΚΑΙ ΜΕΤΑΦΟΡΙΚΩΝ ΠΡΟΣ ΑΠΟΣΤΟΛΗ ΤΩΝ ΠΡΟΪΟΝΤΩΝ ΓΙΑ ΤΟ ΣΕΡΒΙΣ ΕΓΓΥΗΣΗΣ.

ΚΑΤΑ ΠΑΡΕΚΚΛΙΣΗ ΤΩΝ ΑΝΩΤΕΡΩ, ΑΥΤΗ Η ΠΕΡΙΟΡΙΣΜΕΝΗ ΕΓΓΥΗΣΗ ΕΙΝΑΙ ΑΚΥΡΗ ΚΑΙ ΔΕΝ ΙΣΧΥΕΙ ΓΙΑ ΠΡΟΪΟΝΤΑ ΠΟΥ: (α) χρησιμοποιούνται λάθος, από κακή μεταχείριση, υποβάλλονται σε κατάχρηση, ή απρόσεκτο χειρισμό, ατύχημα, ακατάλληλη αποθήκευση, ή λειτουργούν υπό συνθήκες ακραίας τάσης, απότομες μεταβολές θερμοκρασίας, ή δονήσεις πέραν των συστάσεων της NOCO για την ασφαλή και αποτελεσματική χρήση του, (β) δεν έχει εγκατασταθεί, λειτουργεί ή συντηρείται σωστά, (γ) έχουν/τροποποιηθήκαν χωρίς τη ρητή γραπτή συγκατάθεση της NOCO, (δ) έχουν αποσυναρμολογηθεί, τροποποιηθεί ή επισκευαστεί από οποιονδήποτε άλλον εκτός από τη NOCO, ε) τα ελαττώματα τα οποία αναφέρθηκαν μετά την περίοδο εγγύησης.

Η ΠΕΡΙΟΡΙΣΜΕΝΗ ΑΥΤΗ ΕΓΓΥΗΣΗ ΔΕΝ ΚΑΛΥΠΤΕΙ: (1) Κανονική και φυσιολογική φθορά, (2) αισθητική ζημιά που δεν επηρεάζουν τη λειτουργικότητα, ή (3) προϊόντα NOCO των οποίων ο σειριακός αριθμός λείπει, έχει τροποποιηθεί, ή αλλοιωθεί.

ΠΡΟΫΠΟΘΕΣΕΙΣ ΠΑΡΟΧΗΣ ΑΠΡΟΒΛΗΜΑΤΙΣΤΗΣ ΕΓΓΥΗΣΗΣ

Αυτές οι προϋποθέσεις ισχύουν μόνο για το Προϊόν, το οποίο βρίσκεται εντός της Περιόδου Ισχύος της Εγγύησης. Η Παροχή Απροβλημάτιστης Εγγύησης ακυρώνεται είτε με την παρέλευση του χρόνου από την ημερομηνία αγοράς (παρέλευση χρόνου από την ημερομηνία του σειριακού αριθμού, εάν δεν υπάρχει απόδειξη αγοράς) ή από τους όρους που αναγράφονται παραπάνω στο παρόν κείμενο. Επιστρέψτε το Προϊόν με τα κατάλληλα έγγραφα.

Με Την Απόδειξη:

1 Χρόνος: ΧΩΡΙΣ Χρέωση. Με την απόδειξη αγοράς, η περίοδος ισχύος της εγγύησης ξεκινάει από την ημερομηνία αγοράς

ΧΩΡΙΣ Απόδειξη:

1 Χρόνος: ΧΩΡΙΣ Χρέωση. ΧΩΡΙΣ την απόδειξη αγοράς, η περίοδος ισχύος της εγγύησης ξεκινάει από την ημερομηνία του σειριακού αριθμού.

Μπορείτε να δηλώσετε το προϊόν NOCO μέσω διαδικτύου:στη διεύθυνση no.co/register. Εάν έχετε οποιοσδήποτε ερωτήσεις σχετικά με την εγγύησή σας ή το προϊόν επικοινωνήστε με την υποστήριξη της NOCO (e-mail και αριθμό τηλεφώνου ανωτέρω) ή στείλτε επιστολή στη διεύθυνση: The NOCO Company, at 30339 Diamond Parkway, #102, Glenwillow, OH 44139 USA.

NOCO BOOST® MAX™ GB251+



TEHLİKE

Kullanıcı Kılavuzu ve Garanti



BU ÜRÜNÜ KULLANMADAN ÖNCE TÜM GÜVENLİK BİLGİLERİNİ OKUYUN VE ANLAYIN. Bu güvenlik talimatlarına uyulmaması, CİDDİ YARALANMA, ÖLÜM VEYA MAL ZARARINA yol açabilen ELEKTRİK ÇARPMASI, PATLAMA VEYA YANGIN riskine neden olabilir.



Elektrik Çarpması. Ürün, elektrik çarpabilen ve ciddi yaralanmalara neden olabilen elektrikli bir cihazdır. Elektrik kablolarını kesmeyin. Suya daldırmayın ve ıslanmasına izin vermeyin.



Patlama. Bakımsız, uyumsuz veya hasar görmüş aküler ürün ile kullanıldığında patlayabilir. Ürünü çalışırken tek başına bırakmayın. Hasarlı veya donmuş bir aküyü takviye etmeye çalışmayın. Ürünü yalnızca önerilen voltajı olan aküler ile kullanın. Ürünü iyi havalandırılan alanlarda kullanın.



Yangın. Ürün, yanıklara neden olabilen ısı yayan elektrikli bir cihazdır. Ürünün üstünü örtmeyin. Ürünü çalıştırırken sigara içmeyin veya herhangi bir elektrik kıvılcımı veya ateş kaynağını kullanmayın. Ürünü yanıcı maddelerden uzak tutun.



Göz Yaralanması. Ürünü çalıştırırken koruyucu gözlük takın. Aküler patlayabilir ve sıçrayan parçalara neden olabilir. Akü asidi göz ve cilt tahrişine neden olabilir. Gözlere veya cilde bulaşması durumunda, etkilenen bölgeyi temiz su ile yıkayın ve hemen zehir kontrolü ile irtibata geçin.



Patlayıcı Gazlar. Kurşun-asit akülerin yakınında çalışmak tehlikelidir. Aküler, normal çalışma sırasında patlayıcı gazlar oluşturur. Akünün patlama riskini azaltmak için, tüm bu güvenlik talimatlarına ve akü üreticisi ve akü yanında kullanılan herhangi bir ekipmanın üreticisi tarafından verilmiş olan talimatlara uyun. Söz konusu ürünlerdeki ve motordaki tüm uyarı işaretlerini gözden geçirin.

Türk

Daha fazla bilgi ve destek için
sitemizi ziyaret edin:

www.no.co/support

Önemli Güvenlik Uyarıları

ΠΡΟΣΟΧΗ

Manuel Mod tüm güvenlik önlemlerini devre dışı bırakır. Yanlış ve/veya önerilen kullanıma aykırı kullanıldığında yaralanma ya da ölüme neden olabilir ve garantinizi geçersiz hale getirir. Yangın, patlama ve yanma riski. Sökmeyin, parçalamayın, 60°C'den (140°F) fazla ısıtmayın veya yakmayın. Bu cihaz dış ortamda geçici kullanım için tasarlanmıştır ve ıslak koşullarda kullanırken cihaza uygun bir bakım yapılmalıdır.

UYARI

Dahili aküyü fazla şarj etmeyin. Bkz. Kullanım Kılavuzu. Sigara içmeyin, kibrit çakmayın veya güç kaynağı çevresinde kıvılcıma neden olmayın. Dahili aküyü, yalnızca kullanılmadığı zaman iyi havalandırılan bir ortamda şarj edin.

ΠΡΟΣΟΧΗ

Kişilerin Yaralanma Tehlikesi. Güç kablosu veya akü kabloları herhangi bir şekilde hasar görmüşse bu ürünü kullanmayın. Bu cihaz ticari bir onarım tesisinde kullanılmak üzere tasarlanmamıştır. Bu cihaz kullanılmadığında kapalı mekanlarda saklanacak şekilde tasarlanmıştır. Bu cihaz kullanılmadığı zaman açık havada saklanmamalı veya bırakılmamalıdır.

Öneri 65. Akü başları, terminaller ve ilgili aksesuarlar kurşun dahil kimyasalları içerir. Bu malzemeler Kaliforniya Eyaleti tarafından kansere, doğum kusurlarına ve diğer yeniden oluşabilen zararlara neden olduğunu bilinmektedir. **Kişisel Uyarılar.** Ürünü sadece tasarlandığı gibi kullanın. Seslenebilir birisi olmalı veya acil durumlarda yardıma gelebilecek kadar yakın birisi olmalıdır. Akü asidi bulaşması durumunda temiz su ve sabun bulundurun. Akünün yanında çalışırken eksiksiz göz koruması ve koruyucu giysilerini giyin. Akülere ve ilgili malzemelere dokunmaktan sonra daima ellerinizi yıkayın. Aküler ile çalışırken el aletleri, saatler veya takılar dahil olmak üzere herhangi bir metal nesneyi kullanmayın veya takmayın. Herhangi bir metal nesne akü üzerine düşerse, elektrik çarpması, yangın, patlama sonucu yaralanma, ölüme veya maddi hasara neden olabilecek kıvılcım veya kısa devre meydana getirebilir. **Çocuklar.** Ürün, "Alıcı" tarafından bir çocuk tarafından kullanılacak şekilde planlanmış ise, satın alınan yetişkin, kullanmadan önce herhangi bir çocuk için ayrıntılı talimatlar ve uyarıları vermeyi kabul eder. Bunun yapılmaması, NÖCO'yu bir çocuk tarafından istenmeyen veya yanlış kullanım için tazmin etmeyi kabul eden "Alıcı"'nın tek sorumluluğundadır. **Boğulma Tehlikesi.** Aksesuarlar çocuklar için boğulma tehlikesine yol açabilirler. Çocukları ürün veya herhangi bir aksesuar ile tek başına bırakmayın. Ürün bir oyuncak değildir. **Kullanım.** Ürünü dikkatli bir şekilde kullanın. Ürün düşürüldüğünde zarar görebilir. Gövde çatlakları veya hasarlı kablo dahil aına bunlarla sınırlı olmamak üzere hasar görmüş ürünü kullanmayın. Hasarlı kablolu ürünü kullanmayın. Nem ve sıvılar ürüne zarar verebilir. Ürünü veya herhangi bir elektrikli parçayı herhangi bir sıvının yakınında kullanmayın. Ürünü

kuru alanlarda saklayın ve çalıştırın. Ürünü hemli halindeyken çalıştırmayın. Ürün kullanım sırasında ıslanırsa, hemen çalışmasını durdurun ve aküyü çıkarın. Ürünü, elektrik prizinden kablosunu çekerek çıkarmayın. Modifikasyonlar.Ürünün herhangi bir parçasını değiştirmeye, üzerinde değişiklik yapmaya veya tamir etmeye kalkışmayın. Ürünün sökülmesi, kişisel yaralanmalara, ölüme ya da maddi hasara yol açabilir. Ürün hasar görürse, arızalanırsa veya herhangi bir sıvı ile temas ederse, çalıştırılmasını durdurun ve NOCO ile temasa geçin. Ürün üzerinde yapılan herhangi bir değişiklik garantiyi geçersiz kılacaktır. **Aksesuarlar.** Bu ürün sadece NOCO aksesuarlarıyla birlikte kullanım için onaylanmıştır. NOCO, NOCO tarafından onaylanmamış aksesuarları kullanırken kullanıcı güvenliği veya hasarından sorumlu değildir. **Yerleştirme.** Ürün asidinin şarj cihazıyla temasını önleyin. Ürünü kapalı bir alanda veya havalandırmanın kısıtlı olduğu bir yerde çalıştırmayın. Aküyü ürünün üzerine koymayın. Kablolara, hareketli araç parçalarından (kaput ve kapılar dahil), hareketli motor parçalarından (fan bıçakları, kayışlar ve kasnaklar dahil) veya yaralanma veya ölüme sebebiyet verebilecek bir takılma tehlikesi oluşturan şeylerden uzakta tutun. **Çalışma sıcaklığı.** Bu ürün, -20°C ila 50°C arasındaki ortam sıcaklıklarında çalışacak şekilde tasarlanmıştır. Bu sıcaklık aralıklarının dışında ürünü çalıştırmayın. Donmuş aküleri takviye etmeyin. Akü aşırı ısınır, ürünün çalışmasını derhal durdurun. **Saklama.** Ürünü, yoğun toz veya havadaki maddeler bulunan alanlarda kullanmayın veya saklamayın. Ürünü devrilme veya düşme tehlikesine yol açmayacağı düz, emniyetli yüzeylerde saklayın. Ürünü, kuru bir yerde saklayın. Saklama sıcaklığı -20°C ila 50°C'dir (0°C - +40°C ortalama sıcaklık). Herhangi bir koşulda asla 80°C 'yi geçmeyin. **Uyumluluk.** Ürün, sadece 12V kurşun asitli akü sistemleri ile uyumludur. Ürünü başka tür aküler ile kullanmaya çalışmayın. Diğer akü kimyasalların takviye edilmesi, yaralanma, ölüm veya maddi hasara neden olabilir. Aküyü takviye etmeye çalışmadan önce akü üreticisiyle iletişime geçin. Akünün kimyasal tipinden veya voltajından emin değilseniz aküyü takviye etmeyin. **Akü.** Üründeki dahili lityum-iyon akü yalnızca NOCO tarafından değiştirilmeli ve evsel atıklardan ayrı olarak geri dönüştürülmeli veya atılmalıdır. Aküyü kendiniz değiştirmeye çalışmayın ve zarar görmüş veya sızıntı yapan bir lityum-iyon aküyü kullanmayın. Aküyü evsel atıklarla asla atmayın. Akülerin evsel atıklarla atılması, eyalet ve federal çevre kanunlar ve yönetmeliklerine göre yasadışıdır. Kullanılmış aküleri daima yerel akü geri dönüşüm merkezimize götürün. Ürün aküsü aşırı derecede sıcaksa, bir koku yaydığı anda, deforme olduğunda, kesilmiş ise veya anormal bir durum gösteriyor veya teşhir ediyorsa, derhal tüm kullanımını durdurun ve NOCO ile iletişime geçin. **Akünün Şarj Edilmesi.** Ürünü, birlikte verilen 12V DC araç şarj cihazı veya XGC4 şarj cihazı ile şarj edin. Kişi yaralanmalarına, cihaz ve mal hasarlarına neden olabilecek elektrik ile ilgili ciddi bir tehlikeye yol açabilecekleri için genel veya üçüncü taraf güç adaptörlerini kullanmayın. Hasarlı kabloların veya şarj cihazlarının kullanılması veya nemli ortamlarda şarj edilmesi elektrik çarpmasına neden olabilir. NOCO, NOCO tarafından onaylanmamış aksesuarlar veya güç kaynakları kullanıldığında kullanıcı güvenliğinden, Cihaz ya da mal hasarından sorumlu değildir. XGC4 şarj cihazını kullanırken, AC fişini prize takmadan önce AC fişinin adaptöre tam olarak takıldığından emin olun. Güç adaptörü, normal kullanım sırasında ısınabilir ve uzun süreli cilt ile teması bedensel yaralanmaya neden olabilir. Güç adaptörünü kullanırken

daima etrafında yeterli havalandırma sağlayın. Maksimum akü ömrü sağlamak için aşırı şarj işlemi akü ömrünü kısaltabileceğinden, ürününüzü bir haftada bir defadan fazla şarj etmeyin. Zamanla, kullanılmayan bir ürün deşarj olur ve kullanımdan önce şarj edilmelidir. Kullanılmadığı zamanlarda ürünü güç kaynaklarından çıkarın. Ürünü, yalnızca tasarlandığı amaçlar için kullanın. **Tıbbi Cihazlar.** Ürün elektromanyetik alanlar yayabilir. Ürün, kalp pilleri, defibrilatörler veya diğer tıbbi cihazlarını olumsuz etkileyebilecek manyetik bileşenleri içerir. Bu elektromanyetik alanlar, kalp pilleri veya diğer tıbbi cihazlarını olumsuz etkileyebilirler. Kalp pili dahil olmak üzere herhangi bir tıbbi cihazınız varsa, ürünü kullanmadan önce doktorunuza danışın. Ürünün tıbbi bir cihaza olumsuz etkilidiğinden şüphelenirseniz, ürünü derhal kullanmayı bırakın ve doktorunuza danışın. **Tıbbi Kanıtlar.** Kasılma nöbeti, baygınlık, göz yorgunluğu veya baş ağrısı da dahil ama bunlarla sınırlı olmamak üzere ürünün etkilenebileceğini düşündüğünüz tıbbi kanıtınız varsa ürünü kullanmadan önce doktorunuza danışın. Entegre çok güçlü bir fenerinin kullanımı hafif hassasiyet tehlikesini içerir. Flaş Lambası Modunda fener kullanımı, ışığa duyarlı epilepsisi olan kişilerde kasılma nöbetlerine neden olabilir; bu da ciddi yaralanma veya ölüme neden olabilir. **Işık.** Fenerin ışığına doğrudan bakması kalıcı göz hasarına neden olabilir. Ürün, en yüksek ayarda güçlü bir ışın yayan yüksek çıkışlı, önceden odaklanmış LED feneri ile donatılmıştır. **Temizlik.** Herhangi bir bakım veya temizlik işlemi yapmadan önce ürünün fişini prizden çekin. Ürünü, sıvı veya herhangi bir kirlenici madde ile temas ederse derhal temizleyin ve kurutun. Yumuşak, lif bırakmayan (mikrofiber) bir bez kullanın. Açıklıkların nem almasından kaçının. **Patlayıcı Ortamlar.** Bütün güvenlik uyarılarını ve talimatlarını okuyun ve anlayın. Ürünü, yakıt doldurma alanları veya tahıl, toz veya metal tozları gibi kimyasal maddeler veya parçacıklar içeren alanlarda dahil patlama olasılığı bulunan herhangi bir yerde çalıştırmayın. **Ciddi Sonuçlar Doğuran Eylemler.** Bu ürün, ürünün arızalanması sonucunda yaralanma, ölüm ya da çevresel hasar ile sonuçlanabilecek uygulamalar için değildir. **Radyo Frekans Girişimi.** Ürün, radyo frekans emisyonlarına ilişkin yönetmeliklere uygun olarak tasarlanmış, test edilmiş ve üretilmiştir. Üründen gelen bu tür emisyonlar, diğer elektronik cihazların çalışmasını olumsuz şekilde etkiler ve cihazın arızalanmasına neden olabilir. **Model Numarası: GB251.** Bu cihaz, Federal İletişim Komisyonu (FCC) Kuralları Bölüm 15 ile uyumludur. Kullanım aşağıdaki iki koşula bağlıdır: (1) bu cihaz zararlı girişime neden olmayabilir ve (2) bu cihaz, istenmeyen çalışmaya neden olabilecek zararlı girişimler dahil olmak üzere, alınan girişimi kabul etmelidir. NOT: Bu ekipman test edilmiş ve Federal İletişim Komisyonu (FCC) Kurallarının 15. Bölümüne göre Sınıf A dijital cihaz sınırlamalarına uyduğu tespit edilmiştir. Bu sınırlar, ekipman ticari bir ortamda çalıştırıldığında zararlı girişime karşı makul koruma sağlamak üzere tasarlanmıştır. Bu ekipman radyo frekansı enerjisini üretir, kullanır ve yayabilir; kullanım kılavuzuna uygun olarak kurulmamış ve kullanılmamışsa, radyo iletişimde zararlı girişimine neden olabilir. Bu ekipmanın bir konut alanında çalıştırılması, zararlı girişime neden olabilir ve bu durumda kullanıcının girişimi kendisinin karşılaması gerekir.

Nasıl Kullanılır

1.Adım: **GB251'ı şarj edin.**

GB251 ambalajında kısmen şarj edilmiş olarak gelir ve kullanımdan önce tamamen şarj edilmesi gerekir. GB251'yi birlikte verilen 12V DC araç şarj cihazını ya da XGC4 şarj cihazını kullanarak 12V GİRİŞ bağlantı noktasına bağlayın. GB251'yi deşarj etme süresi, deşarj seviyesine ve kullanılan güç kaynağına göre değişir. Gerçek sonuçlar, akü durumuna ve deşarj seviyesine göre değişebilirler.

Şarj sırasında dahili akünün şarj seviyesi Şarj LED'leri ile gösterilir. LED'ler, yavaşça yanıp sönecek ve dört Şarj LED'inin tümü açık olana kadar sürekli yanacaktır. Akü tamamen şarj olduktan sonra yeşil 100% Şarj LED ışığı sürekli yanacak ve 25%, 50% ve 75% Şarj LED ışıkları söneceklerdir. Zaman zaman yeşil 100% Şarj LED ışığı, şarj gerçekleştiğini göstererek yanıp sönecektir.

2.Adım: **Aküye Bağlanması.**

Aracın takviye ile çalıştırılmasına özel talimatları ve tavsiye edilen yöntemlerle ilgili araç el kitabını dikkatli bir şekilde okuyun ve anlayın. Ürünü kullanmadan önce akünün kullanım kılavuzuna bakarak akü voltajını ve kimyasını belirlediğinizden emin olun. GB251, sadece 24 V kurşun asitli akü sistemlerini takviye etmek içindir. Aküye bağlanmadan önce 24 V kurşun asitli bir akü sisteminizin olduğunu doğrulayın. GB251, başka akü tipleri için uygun değildir. Akü kutup başlarının doğru kutup işaretlerini belirleyin. Artı akü kutup başı, genellikle (POS, P, +) harfler veya sembollerle işaretlenir. Eksi akü kutup başı, genellikle (NEG, N, -) harfler veya sembollerle işaretlenir. Karbüratöre, yakıt hatlarına veya ince, sac metal parçalara herhangi bir bağlantı yapmayın. Aşağıdaki talimatlar, negatif bir topraklama sistemi içindir (en yaygın olanı). Aracınız pozitif bir topraklama sistemine (çok nadiren) sahipse doğru takviyeyle çalıştırma talimatları için aracınızın kılavuzuna bakın.

1.) Pozitif (kırmızı) akü maşasını pozitif (POS,P,+) akü kutup başına ve negatif (siyah) akü maşasını da negatif (NEG,N,-) akü kutup başına veya araç şasisine takın.

Şarj Süresi: **Şarj Derecelendirmesi:**

5hr

56W

Dahili Akü Durumu



25% 50% 75% 100%

3.Adım: **Takviye Etme.**

- 1.) Aracı çalıştırmaya başlamadan önce aracın tüm güç yüklerinin (farlar, radyo, klima vb.) kapalı olduğundan emin olun.
- 2.) Takviyeyle çalıştırmayı başlatmak için güç düğmesine basın, tüm LED ışıkları bir kez yanıp söner. Aküye düzgün şekilde bağlantı yaptıysanız beyaz güç artırma LED ışığı ve ardından akü şarj LED ışıkları yanar. Bir akü algılanır algılanmaz 60 saniyelik bir geri sayım başlar.
- 3.) Aracı çalıştırmayı deneyin. Çoğu araç hemen çalıştırılacaktır. Bazı araçlar, GB251'in çalıştırmadan önce 30 saniye kadar bağlanmasını gerektirebilir. Araç hemen çalıştırılmazsa, 20-30 saniye bekleyin ve tekrar deneyin. 15 (on beş) dakika içinde 5 (beş)'ten fazla üst üste çalıştırmaya kalkışmayın. Aracı tekrar çalıştırmaya başlamadan önce GB251'in 15 (on beş) dakika dinlenmesine izin verin.
- 4.) Aracınızı çalıştırdıktan sonra, akü kısıklalarını ve GB251'i çıkarın.

60 Saniyelik Zaman-Aşımı

Akü algılanır algılanmaz 60 Saniyelik Geri Sayım başlatılır. 60 saniye geçtikten sonra takviye ile çalıştırma işlevi devre dışı bırakılır. Boost LED kapanır ve dahili akü şarj LED'leri ünitenin mevcut şarj seviyesini gösterir. Takviye ile çalıştırma işlevini sıfırlamak için, üniteyi kapatmak üzere güç düğmesine basın. Üniteye yeniden enerji vermek için güç düğmesine tekrar basın ve takviye ile çalıştırma işlevini yeniden başlatın.

DİKKAT.

MANUEL KUMANDA MODU KULLANILIRKEN 60 SANİYELİK ZAMAN AŞIMI DEVRE DIŞI BIRAKILIR. MANUEL KUMANDA ETKİNKEN GÜÇ SAĞLANMAYA DEVAM EDER. TAKVİYE İLE ÇALIŞTIRMA SAYISINI EN ÜST DÜZEYE ÇIKARMAK İÇİN, ARAÇ ÇALIŞIR ÇALIŞMAZ BOOST ÜNİTESİNİ KAPATMANIZ ÖNERİLİR.

Düşük Voltaj Aküler ve Manuel Ayarı

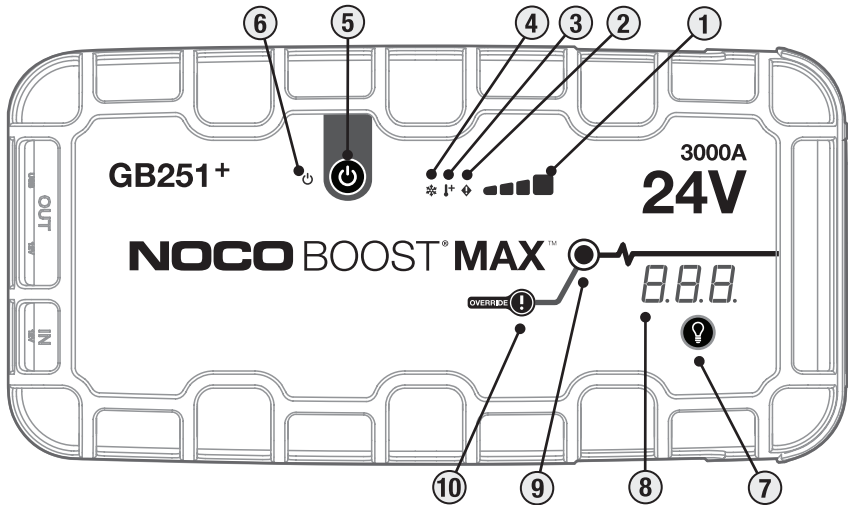
GB251, 2 volta kadar düşük voltajlı 24 voltluk kurşun asitli akü sistemlerini takviye etmek için tasarlanmıştır. Akünüz, 2 voltun altında ise güç artırma LED ışığı "yanmaz". Bu, GB251'nin akü tespit edemediğinin bir göstergesidir. 2 volttan daha az olan bir aküyü takviye etmeniz gerekiyorsa takviye etme işlevini "Açık" konumunda zorlamaya izin veren bir Manuel geçersiz kılma özelliği bulunur. Akü, 2 voltun altındaysa güç artırma LED ışığı, söner ve voltmetre bir voltaj değeri göstermez.

DİKKAT.

BU MODU BÜYÜK BİR DİKKATLE KULLANIN. BU MOD, SADECE 24 VOLT KURŞUN ASİTLİ AKÜ SİSTEMLERİ İÇİNDİR. KIVILCIM KORUMA VE TERS KUTUP BAĞLAMAYA KARŞI GÜVENLİK ÖZELLİKLERİ DEVRE DIŞIDIR. BU MODU KULLANMADAN ÖNCE AKÜNÜN KUTUP İŞARETLERİNE ÇOK DİKKAT EDİN. ÜRÜN KIVILCIM OLUŞTURACAĞINDAN ARTI VE EKSI AKÜ MAŞALARININ BİRBİRİNE DOKUNMASINA VEYA TAKILMASINA İZİN VERMEYİN. BU MOD, UYGUN ŞEKİLDE KULLANILMADIĞINDA KIVILCIM VEYA YÜKSEK ISIYA NEDEN OLABİLEN ÇOK YÜKSEK BİR AKIM (3000 AMPERE KADAR) KULLANIR. NASIL KULLANACAĞINIZDAN EMİN DEĞİLSENİZ BU MODU DENEMEYİN VE PROFESYONEL YARDIM ALIN.

USB ve 12 V Cihazlarınıza Güç Sağlanması.

GB251. (2) USB ÇIKIŞ bağlantı noktasına ve bir 12 V ÇIKIŞ bağlantı noktasına (12 V AUX/ sigara çakmağı bağlantı noktası) sahiptir. Cihazınıza güç sağlamak için herhangi bir standart USB veya 12 V cihazı (15 A'e kadar) bağlayın ve GB251'yi "açın".



Arayüz

1.) Dahili Akü Durumu Göstergesi, dahili akünün şarj durumu gösterir.

2.) Hata LED Ters polarite tespit edilirse kırmızı yanar veya hata durumlarını iletmek için çeşitli sıralarda (1 ila 6 yanıp sönme) "açık" ve "kapalı" yanıp söner.

3.) Sıcak LED Yanıyor Koyu Kırmızı; ünite tamamen çalışır durumda, ancak üst sıcaklık sınırına yaklaşıyor. Kırmızı yanıp sönüyor; ünite atlama başlatmak için çok sıcak, bu durumda sadece el feneri mevcuttur.

4.) Soğuk LED Mavi'yi aydınlatır; ünite tamamen çalışır durumda, ancak daha düşük sıcaklık sınırına yaklaşıyor. Mavi yanıp sönüyor; ünite atlama başlatmak için çok soğuk, bu durumda yalnızca el feneri kullanılabilir.

5.) Açma/Kapama Düğmesi, cihazı çalıştırmak ve kapatmak için basılır.

6.) Güç LED Işığı, cihaz açık konumundayken yanar.60 saniyelik zaman aşımı geri sayımından sonra kelepçeler Araç Aküsünden çıkarılıncaya veya GB251 "kapatıp" yeniden "açılıncaya" kadar turuncu renkte yanar.

7.) Parlaklık Modu Düğmesi, ultra-parlak LED ışığını 7 parlaklık modunda çalıştırır: 100% > 50% > 10% > SOS > Yanıp sönme > Flaş lambası > Kapama

8 . Voltmetre / Geri Sayım Sayacı Dahili voltmetre, gelişmiş hata tanınması ve sorun giderme için aracın aküsünün voltajını okur. Voltmetre, akü kısıpçaları bağlandığında, cihaz kapalı olsa dahi, otomatik olarak herhangi bir akü (veya akü sistemi) voltajını okuyacaktır. Voltmetre, ~ 3V ile ~ 30V arasındaki voltajı okuyacaktır. Bağlanan akü 3V'un altında ise, hiçbir şey görüntülenmez. Voltaj düşükse, far veya AC fanı gibi akü üzerinde yük (ler) vardır ve aracı çalıştırmaya başlamadan önce bunlar kapatılmalıdır. Ünite açırken ve bir pil algılandıktan sonra, voltmetre 60 saniyelik zaman aşımı geri sayımını gösterecektir.

9.) Güç Artırma LED Işığı, Güç Artırma özelliği etkin olduğunda beyaz yanar. Ürün aküye doğru bir şekilde bağlandığında GB251 otomatik olarak aküyü tespit eder ve Güç Artırma moduna geçer (Manuel Ayan özelliği etkin olduğunda LED ışığı beyaz yanıp söner).

10.) Manuel Ayan Düğmesi, çalıştırmak için basın ve 3 (üç) saniye boyunca basılı tutun. **UYARI: Emniyet korumasını devre dışı bırakır ve Güç Artırma'yı açık konumunda manuel olarak zorlar. Yalnızca bir pil voltajı algılanamayacak kadar düşük olduğunda kullanım içindir.**

Arıza giderme

Hata	Sebeup/Çözüm
Hata LED Işığı:Sürekli Kırmızı	Ters kutup bağlantı/Akü bağlantılarını ters takın.
Hata LED Işığı:Kırmızı yanıp sönüyor Kablolar doğru bir şekilde bağlandığında	Akü maşalarında Kısa Devre tespit edildi. / Pili bir uzmana kontrol ettirin.
Bir (1) Kez Yanıp Sönme	Akü maşalarında Kısa Devre tespit edildi. / Tüm yükleri çıkarın, maşaları aküye yeniden takın.
Çift (2) Flaş	Kelepçelerde yüksek voltaj algılandı (GB251, 24V'den büyük bir voltaj sistemine bağlıdır).
Dörtlü (4) Flaş	Şarj zaman aşımı hatası (yani GB251 çok uzun süredir toplu olarak şarj ediliyor)
Beşli (5) Flaş	XGC OUT aşın akım (yani XGC OUT bağlantı noktasından 15 amperden fazla çekiliyor)
Altılı (6) Flaş	BMS (Batarya Yönetim Sistemi) Arızası. (Temizlemek için GB251 gücünü "kapatıp" tekrar "açın". Sorun devam ederse, Müşteri Desteği ile iletişime geçin)
Sıcak LED: Katı	Ünite tamamen çalışır durumda, ancak üst sıcaklık sınırına yaklaşıyor. / Ünitenin soğumasına izin verin.
Sıcak LED: Yanıp Sönüyor	Ünite, atlama başlatmak için çok sıcak, bu durumda yalnızca el feneri kullanılabilir. / Ünitenin soğumasına izin verin.
Sıcak LED: Sonra Tüm LED'ler yanıp söner kapalı	Ünite, başlamak veya diğer işlevleri kullanmak için çok sıcak. / Ünitenin soğumasına izin verin ve üniteyi soğutucuya getirin ortamı.
Soğuk LED: Katı	Birim tamamen çalışır durumda, ancak daha düşük sıcaklık sınırına yaklaşıyor. / Ünitenin ısınmasına izin verin.
Soğuk LED: Yanıp Sönen	Ünite, atlama başlatmak için çok soğuk, bu durumda yalnızca el feneri kullanılabilir / Ünitenin ısınmasına izin verin.
Soğuk LED: Yanıp Sönüyor Sonra Tüm LED'ler kapalı	Ünite başlamak veya diğer işlevleri kullanmak için çok soğuk. / Ünitenin ısınmasına izin verin ve üniteyi daha sıcak bir ortama getirin.
Güç Artırma Işığı Yanmıyor Kablolar doğru bir şekilde bağlandığında	Bağlanmış akü 3 volt altındadır/Tüm yükleri çıkartın ve yeniden deneyin veya Manuel Ayar Modunu kullanın.

Teknik Özellikleri

Dahili Akü: 137Wh Lityum-iyon	12V (Giriş): 12V/5A (14V Max)
Maksimum Akım Oranı: 3000A	12V (Çıkış): 12V, 15V Max
Çalışma Sıcaklığı: -20°C - +50°C	Gövde Koruması: IP65 (Bağlantı Noktaları Kapalıdır)
Şarj Sıcaklığı: 0°C - +40°C	Soğutulması: Doğal Taşınım
Saklama Sıcaklığı: -20°C - +50°C (Ortalama sıcaklık)	Boyutlar (U x G x Y): 31,75 x 20,83 x 3,39 Santimetre
USB (Çıkış): 5V, 2,1A	Ağırlık: 6,19 kilogram (13,65 lb)

NOCO Bir (1) Yıllık Sınırlı Garanti

NOCO Company ("NOCO"), bu ürünün ("Ürün") satın alındığı tarihten itibaren bir (1) yıllık ("Garanti Süresi") bir süre boyunca malzeme ve işçilik kusurlarından annacağını garanti etmektedir. Garanti Süresi boyunca bildirilen kusurlar için, NOCO kendi takdirine bağlı olarak NOCO'nun teknik destek analizine tabi olarak hasarlı ürünleri onarır veya değiştirir. Değiştirilen parçalar ve ürünler orijinal parça ve ürünlerle fonksiyon ve performans olarak karşılaştırılabilir olarak yeni veya servis edilecek şekilde kullanılabilecekti ve orijinal Garanti süresinden kalan süre boyunca garanti altındadır.

NOCO'NUN SORUMLULUĞU, DEĞİŞTİRME VEYA TAMİR ETME İLE SINIRLIDIR. KANUN TARAFINDAN İZİN VERİLEN MAKSİMUM SEVİYE DAHİLİNDE, URUN İLE HERHANGİ BİR SEKİLDE ALAKALI, NOCO BENZER ZARARALARDAN HABERDAR OLSA DAHI, NE SEKİLDE MEYDANA GELMİS OLURSA OLSUN KAZANC KAYBI, MADDİ ZARAR VEYA KİSİSEL YARALANMAYI İCEREN FAKAT BUNUNLA SINIRLI OLMAYAN HERHANGİ BİR ÖZEL, DOLAYLI, VEYA MİSAL OLACAK ZARARLARLARDAN DOLAYI NOCO HERHANGİ BİR URUN ALICISINA VEYA HERHANGİ BİR UCUNCU TARAFA KARŞI SORUMLU DEĞİLDİR. BURADA BELİRTİLEN GARANTİLER, SATILABİLİRLİK VE BELİRLİ BİR AMACA UYGUNLUK İLE İLGİLİ ZİMNİ GARANTİLER VE SINIRLAMA OLMAMAK ÜZERE AÇIK, ZİMNİ, KANUNİ TARAFINDAN KAYNAKLANAN TÜM DİĞER GARANTİLERDEN DEĞİLDİR VE BORSA, KULLANIM VEYA TİCARİ UYGULAMA DÜZEYİNDEN KAYNAKLANAN GARANTİLER. YÜRÜRLÜKTEKİ YASALARIN KAPSAM DIŞINDAKİ VEYA HARIÇ TUTULAMAYACAK GARANTİLER, KOŞULLAR VE YÜKÜMLÜLÜKLERİ KAPSAM

DIŐINDA, BU PARAGRAP, BÖYLE YASALARIN İZİN VERDİĐİ EN BÜYÜK ÖLÇÜDE UYGULANACAKTIR.

Bu Sınırlı Garanti, yalnızca Ürünün NOCO'dan orijinal alıcısının veya NOCO tarafından onaylanmış bir bayi veya distribütörün yararına olup atanabilir veya devredilebilir değildir. Garanti talebinde bulunmak için, satın alan kişi aşağıdakileri yapmalıdır: (1) support@no.co adresine e-posta göndererek veya 1.800.456.6626 numaralı telefonda arayarak, NOCO Destek Bölümünden bir mal iade yetkilendirme (RMA) numarası ve dönüş konumu bilgisi ("Geri Dönüş Konumu") isteyin ve alın; ve (2) anızalı Ürünün üreticinin tüketici için önerdiği satış fiyatının (MSRP) %45'i ("Garanti Ücreti"), RMA numarası, makbuz veya garanti ücreti (yalnızca makbuz vermiyorsa ücret gereklidir) dahil olmak üzere [RMA'ya geçerli Garanti Ücreti tutarı içerir] Geri Dönüş Konumuna gönderin. NOCO DESTEK BÖLÜMÜNDEN RMA NUMARASINI ALMADAN ÖNCE ÜRÜNÜ GÖNDERMEYİNİZ.

İLK ALICI, GARANTİ HİZMETLERİ İÇİN TÜM AMBALAJ VE TAŐIMA MALİYETLERİNİ SORUMLUYOR (VE PEŐİN ODEMELİ).

YUKARIDA BELİRTİLEN BU SINIRLI GARANTİ AŐAĐIDAKİ ÜRÜNLER İÇİN GEÇERLİ DEĐİLDİR: (a) ürün yanlış veya dikkatsiz kullanılmış ise veya kaza, yanlış saklama veya aşırı sıcaklık, aşırı voltaj, darbe veya NOCO'nun güvenli ve etkin kullanım için önerdiği titreşimlerin ötesinde çalıştırılmış ise;(b) ürün yanlış kurulmuş, çalıştırılmış veya bakımı yapılmış ise; (c) ürün, NOCO'nun yazılı onayı olmaksızın değiştirilmiş ise; (d) ürün, NOCO dışındaki herhangi biri tarafından sökülmüş, değiştirilmiş veya tamir edilmiş ise; (e) Garanti Süresinin sonunda kusurların rapor edildiği durumlarda.

BU SINIRLI GARANTİ AŐAĐIDAKİLERİ KAPSAMAZ: (1) Genel aşınma ve yıpranma; (2) işlevini ETKİLEMEYEN kaplama hasarı; veya (3) NOCO seri numarasının eksik, değiştirilmiş veya bozmuş olduğu ürünler.

SORUNSUZ GARANTİ KOŐULLARI

Bu koőullar yalnızca Garanti Süresi boyunca Ürün için geçerlidir. Sorunsuz Garanti, gerek satın alma tarihinden itibaren geçen süre (satın alma kanıtı yoksa seri numarası tarihinden itibaren geçen süre) için, gerekse bu belgede daha önce listelenen koőullar için geçersizdir. Ürünü ilgili belgelerle İade Edin.

Belgeli:

1 Yıl: ÜCRETSİZ. Satın alma kanıtı Varsa, Garanti süresi satın alma tarihinde başlar

Belgesiz:

1 Yıl: ÜCRETSİZ. Satın alma kanıtı Yoksa, Garanti süresi seri numarasının tarihinde başlar.

NOCO ürününüzü şu adresten online kayıt edebilirsiniz: no.co/register. Garantiniz ya da ürününüzle ilgili herhangi bir sorunuz varsa, NOCO Destek Bölümüne (yukarıdaki e-posta ve telefon numarasından) başvurun veya şu adrese yazın: The NOCO Company, at 30339 Diamond Parkway, #102, Glenwillow, OH 44139 USA.

NOCO BOOST[®] MAX[™] GB251+



NIEBEZPIECZEŃSTWO

Podręcznik użytkownika i gwarancja



PRZED UŻYCIEM PRODUKTU PRZECZYTAĆ ZE ZROZUMIENIEM WSZYSTKIE INFORMACJE DOTYCZĄCE BEZPIECZEŃSTWA. Nieprzestrzeganie tych instrukcji bezpieczeństwa może skutkować PORAZENIEM ELEKTRYCZNYM, WYBUCHEM, POŻAREM, które mogą doprowadzić do POWAŻNYCH OBRAŹEN, ŚMIERCI lub USZKODZENIA WŁASNOŚCI.



Porażenie elektryczne. Produkt jest urządzeniem elektrycznym, które może porazić i spowodować poważne obrażenia. Nie przecinać przewodów zasilania. Nie zanurzać w wodzie nie moczyc.



Wybuch. Niemonitorowane, niekompatybilne lub uszkodzone akumulatory mogą wybuchnąć, gdy są używane z produktem. Nie pozostawiać produktu bez nadzoru podczas używania. Nie wolno próbować uruchomić uszkodzonego lub zamrożonego akumulatora. Używać produktów tylko z akumulatorami o zalecanym napięciu. Obsługiwać produkt w prawidłowo wentylowanych miejscach.



Ogień. Produkt jest urządzeniem elektrycznym, który emituje ciepło i może powodować poparzenia. Nie przykrywać produktu. Nie palić ani nie stosować źródeł wyładowań elektrycznych lub ognia, obsługując produkt. Przechowywać produkt z dala od materiałów łatwopalnych.



Urazy oczu. Obsługując produkt, nosić środki ochrony oczu. Akumulatory mogą eksplodować i wyrzucić odłamki w powietrze. Kwas akumulatorowy może powodować podrażnienie oczu i skóry. W przypadku zanieczyszczenia oczu lub skóry, przepłukać dotknięty obszar czystą, bieżącą wodą i natychmiast skontaktować się z ośrodkiem kontroli zatruc.



Gazy wybuchowe. Gazy wybuchowe. Praca w pobliżu akumulatorów kwasowo-ołowiowych jest niebezpieczna. W czasie normalnej pracy akumulatory wytwarzają gazy wybuchowe. Aby zredukować niebezpieczeństwo wybuchu akumulatora, należy przestrzegać wszystkich instrukcji bezpieczeństwa oraz instrukcji opublikowanych przez producenta akumulatora, a także wyposażenia, które ma pracować w pobliżu akumulatora. Zapoznać się z oznaczeniami ostrzegawczymi na tych produktach oraz na silniku.

Polskie

Aby uzyskać bardziej
szczegółowe informacje i
wsparcie, odwiedź stronę:

www.no.co/support

Ważne ostrzeżenia dotyczące bezpieczeństwa

UWAGA

Tryb ręczny wyłącza wszystkie środki bezpieczeństwa. W przypadku nieprawidłowego użycia oraz/lub niezgodnego z zaleceniami może doprowadzić do obrażeń ciała lub śmierci, a gwarancja zostanie unieważniona. Występuje ryzyko zapłonu, wybuchu oraz poparzeń ciała. Urządzenia nie wolno rozkładać, zgniatać, nagrzewać powyżej 60°C/140°F ani spalać. Z niniejszego urządzenia można korzystać na zewnątrz tylko przez ograniczony czas i należy o nie szczególnie zadbać w wilgotnych warunkach.

OSTRZEŻENIE

Nie wolno przeladowywać akumulatora wewnętrznego. Należy zapoznać się z podręcznikiem użytkownika. W pobliżu akumulatora nie wolno palić, zapalać zapalki ani wytwarzać iskier. Akumulator wewnętrzny można ładować wyłącznie w dobrze przewietrzonym miejscu w przypadku, gdy nie jest używany.

UWAGA

Ryzyko obrażeń osób. Z niniejszego produktu nie wolno korzystać w przypadku, gdy przewód zasilający lub przewody do akumulatora są w jakikolwiek sposób uszkodzone. Urządzenie nie służy do wykorzystania w punkcie napraw o charakterze komercyjnym. Jeżeli nie jest używane, należy je przechowywać wewnątrz budynku – nie należy go przechowywać ani pozostawiać na zewnątrz.

Propozycja 65. Bieguny akumulatora, zaciski i związane z nimi akcesoria zawierają środki chemiczne, w tym ołów. Według prawa stanu Kalifornia materiały te mogą powodować nowotwory, uszkodzenia płodu oraz bezpłodność. **Osobiste środki ostrożności.** Produktu należy używać tylko zgodnie z przeznaczeniem. Należy pracować w zasięgu głosu drugiej osoby lub na tyle blisko, aby druga osoba mogła przyjść z pomocą w razie problemów. Przechowywać w pobliżu zapasu czystej wody i mydła na wypadek zanieczyszczenia kwasem akumulatorowym. Pracując w pobliżu akumulatora, należy nosić pełny zestaw ochrony oczu oraz odzież ochronną. Zawsze myć ręce po obsłudze akumulatorów i materiałów powiązanych. Nie obsługiwać ani nie nosić metalowych przedmiotów, pracując z akumulatorami; dotyczy to między innymi narzędzi, zegarków i biżuterii. Gdy metal zostanie upuszczony na akumulator, może spowodować iskrę i zwarcie, skutkując porażeniem elektrycznym, pożarem, wybuchem, co z kolei może spowodować uraz, śmierć lub uszkodzenie własności. **Osoby nieletnie.** Jeśli „Nabywca” chce, aby produkt był używany przez osobę nieletnią, to dokonując zakupu, zgadza się przedstawić nieletniemu szczegółowe instrukcje i ostrzeżenia przed użytkowaniem sprzętu. Odpowiedzialność za nieprzestrzeżenie tego spoczywa w całości na „Nabywcy”, który zgadza się zwolnić firmę NOCO z odpowiedzialności za wszelkie niezamierzone lub niewłaściwe użytkowanie sprzętu przez osobę nieletnią. **Ryzyko zadławienia.** Akcesoria mogą stanowić ryzyko zadławienia przez dzieci. Nie pozostawiać dzieci bez opieki w pobliżu produktu lub jego akcesoriów. Produkt nie jest zabawką. **Obsługa.** Z produktem należy się obchodzić

ostrożnie. W przypadku uderzenia może ulec uszkodzeniu. Nie korzystać z uszkodzonego produktu, również gdy na obudowie pojawią się pęknięcia lub zostaną uszkodzone kable. Nie używać produktu, gdy uszkodzony jest przewód zasilający. Wilgotność i ciecz mogą uszkodzić produkt. Nie używać produktu ani żadnych składników elektrycznych w pobliżu cieczy. Przechowywać i obsługiwać produkt w miejscach suchych. Nie używać, gdy będzie mokry. Gdy pracujący produkt ulegnie zamoczeniu, natychmiast odłączyć od akumulatora i zaprzestać używania. Nie odłączać produktu, wyciągając przewody. Modyfikacje. Nie wolno podejmować prób zmiany, modyfikacji lub naprawy części produktu. Demontaż produktu może spowodować uraz, śmierć lub uszkodzenie produktu. Gdy produkt zostanie uszkodzony, ulegnie awarii lub wejdzie w kontakt z cieczą, zaprzestać jego używania i skontaktować się z NOCO. Wszelkie modyfikacje produktu spowodują unieważnienie gwarancji. **Akcesoria.** Ten produkt jest zatwierdzony wyłącznie do użytku z akcesoriami firmy NOCO. Firma NOCO nie jest odpowiedzialna za bezpieczeństwo użytkownika lub uszkodzenia wynikające z użytkowania akcesoriów niezatwierdzonych przez nią. **Lokalizacja.** Należy zapobiegać zetknięciu się kwasu akumulatorowego z produktem. Nie obsługiwać produktu w obszarze zamkniętym lub z ograniczoną wentylacją. Nie stawiać akumulatora na szczycie produktu. Ustawić wyprowadzenia kabli w sposób zapobiegający przypadkowym uszkodzeniom w czasie przenoszenia części pojazdu (również maski i drzwi), przenoszenia części silnika (także łopatek wentylatora, pasów i kół pasowych) lub zapobiegający potencjalnemu wypadkowi mogącemu doprowadzić do urazu lub śmierci. **Temperatura pracy.** Ten produkt zaprojektowano do pracy w temperaturach otoczenia od -20°C do 50°C. Nie obsługiwać poza tym zakresem temperatur pracy. Nie uruchamiać zamrożonego akumulatora. Zaprzestać używania produktu natychmiast, gdy akumulator nadmiernie się nagrzej. **Przechowywanie.** Nie używać ani nie przechowywać produktu w miejscach o dużym stężeniu pyłu lub materiałów w powietrzu. Przechowywać produkt na płaskim, stabilnym podłożu, aby zapobiec przewróceniu go. Produkt przechowywać w suchym miejscu. Temperatura przechowywania wynosi -20°C do 50°C (0°C do +40°C temperatura średnia). Pod żadnym pozorem nie wolno przekraczać 80°C. **Zgodność.** Produkt jest zgodny wyłącznie z akumulatorami kwasowo-ołowiowymi 12V. Nie należy używać produktu z żadnym innym typem akumulatora. Uruchamianie za pomocą kabli rozruchowych akumulatora o innym składzie chemicznym może spowodować obrażenia ciała, śmierć lub szkody na mieniu. Przed uruchomieniem akumulatora za pomocą kabli rozruchowych należy skontaktować się z producentem akumulatora. Nie uruchamiać akumulatora za pomocą kabli rozruchowych nie mając pewności co do określonego składu chemicznego lub napięcia akumulatora. **Akumulator.** Wbudowany akumulator litowo-jonowy może wymieniać wyłącznie firma NOCO, podlega recydingowi i powinien zostać zutylozowany oddzielnie od odpadów komunalnych. Nie próbować wymienić samemu akumulatora ani obsługiwać uszkodzonego lub przeciekającego akumulatora litowo-jonowego. Pod żadnym pozorem nie wolno wyrzucać akumulatora z odpadami komunalnymi. Utylizacja akumulatorów z odpadami komunalnymi jest niezgodna z przepisami stanowymi i federalnymi dotyczącymi ochrony środowiska. Zużyte akumulatory należy zawsze przekazywać do lokalnego centrum recydingu akumulatorów. Gdy akumulator w produkcji zostanie nadmiernie nagrany, wydziela zapach, ulegnie deformacji, pęknie lub wykazuje nienaturalne zachowanie, należy natychmiast przerwać jego użytkowanie i skontaktować się z firmą NOCO. **Ładowanie akumulatora.** Ładować produkt za pomocą dołączonej ładowarki samochodowej 12V DC lub ładowarki ściennej XGC4. Nie należy używać ogólnych lub zewnętrznych adapterów, ponieważ mogą one stanowić poważne zagrożenie elektryczne, które może spowodować obrażenia ciała, uszkodzenie urządzenia i szkody na mieniu. Stosowanie uszkodzonych kabli lub ładowarek albo ładowanie akumulatora w obecności wilgoci może spowodować porażenie prądem elektrycznym. Firma NOCO nie jest odpowiedzialna za bezpieczeństwo użytkownika, uszkodzenie urządzenia lub szkody na mieniu w

przypadku korzystania z akcesoriów lub źródeł zasilania niezatwierdzonych przez firmę NOCO. Korzystając z ładowarki ściennej XGC4, należy upewnić się, że wtyczka AC jest dokładnie włożona w adapter przed podłączeniem jej do gniazda zasilającego. Zasilacz może się nagrzewać podczas zwykłego użytkowania i dłuższy kontakt ze skórą może powodować obrażenia ciała. Zawsze należy zapewnić odpowiednią wentylację wokół zasilacza podczas jego użytkowania. Aby uzyskać maksymalną żywotność akumulatora, należy unikać ładowania produktu nieprzerwanie przez ponad tydzień, ponieważ dłuższe ładowanie może skrócić żywotność akumulatora. Z czasem nieużywany produkt będzie się rozładowywał i należy go ponownie naładować przed użyciem. Odłączyć produkt od źródeł zasilania, kiedy nie jest w użyciu. Produktu używać tylko zgodnie z przeznaczeniem.

Urządzenia medyczne. Produkt może emitować pola elektromagnetyczne. Produkt zawiera elementy magnetyczne, które mogą zakłócać pracę rozruszników serca, defibrylatorów lub innych urządzeń medycznych. Te pola elektromagnetyczne mogą zakłócać pracę rozruszników serca lub innych urządzeń medycznych. Przed użyciem należy skonsultować się z lekarzem, jeżeli użytkownik korzysta z urządzeń medycznych, na przykład rozruszników serca. Jeżeli zaistnieje podejrzenie, że produkt zakłóca pracę urządzenia medycznego, należy natychmiast zaprzestać korzystania z urządzenia i skonsultować się z lekarzem. **Stany chorobowe.** Jeżeli użytkownik ma jakiegokolwiek stany chorobowe, na które produkt może wpłynąć, takie jak: napady drgawkowe, utrata przytomności, przemęczenie oczu lub bóle głowy, przed użyciem produktu należy skontaktować się z lekarzem.

Używanie zintegrowanej latarki o dużej mocy może być szkodliwe dla osób o nadwrażliwości na światło. Korzystanie ze światła w trybie stroboskopu może powodować u osób chorych na epilepsję ataki, które mogą skutkować poważnymi obrażeniami lub śmiercią. **Światło.** Wpatrywanie się bezpośrednio w światło latarki może spowodować trwałe uszkodzenie oczu. Produkt wyposażono w diodę LED o wysokiej mocy, która w najwyższym ustawieniu emituje bardzo silną wiązkę światła.

Czyszczenie. Przed rozpoczęciem konserwacji lub czyszczenia wyłączyć produkt. Produkt należy niezwłocznie wyczyścić i wysuszyć po zetknięciu z cieczą lub odpadami. Użyć miękkiej, niestrzępiącej szmatki (z mikrofibry). Unikać zawilgocenia otworów. **Środowiska wybuchowe.** Przestrzegać wszystkich znaków i instrukcji. Nie obsługiwać produktu w środowisku wybuchowym, na przykład strefach tankowania lub strefach występowania środków chemicznych lub cząsteczek, takich jak ziarna, pył lub sproszkowane metale.

Działania o dużym ryzyku. Ten produkt nie jest przeznaczony do pracy w sytuacjach, gdy jego awaria mogłaby doprowadzić do obrażeń ciała, śmierci lub poważnych szkód w środowisku. **Zakłócenia radiowe.** Produkt zaprojektowano, testowano i jest wytwarzany zgodnie z przepisami dotyczącymi emisji fal radiowych. Emitowane z produktu fale mogą wpłynąć negatywnie na działanie innych urządzeń elektrycznych, powodując ich wadliwe działanie.

Numer modelu: GB251. Opiswane urządzenie jest zgodne z Częścią 15 przepisów FCC. Działanie podlega następującym warunkom: (1) urządzenie to nie może powodować szkodliwych zakłóceń, oraz (2) urządzenie to musi przyjmować wszelkie odbierane zakłócenia, również powodujące pożądane działanie. UWAGA: Urządzenie zostało sprawdzone i uznane za zgodne z wymaganiami dotyczącymi urządzeń cyfrowych klasy A, zgodnie z Częścią 15 przepisów FCC. Ograniczenia te zaprojektowano w sposób zapewniający rozsądną ochronę przed niebezpiecznymi zakłóceniami, gdy urządzenie jest używane w środowisku przemysłowym. Urządzenie wytwarza, wykorzystuje i może emitować energię o częstotliwości fal radiowych; gdy nie jest zainstalowane i obsługiwane zgodnie z instrukcją użytkownika, może powodować szkodliwe zakłócenia w komunikacji radiowej. Używanie tego urządzenia w dzielnicy mieszkalnej może doprowadzić do powstania szkodliwych zakłóceń, w wyniku czego użytkownik będzie zmuszony do usunięcia tych zakłóceń na własny koszt.

Sposób użycia

Krok 1: Naładować GB251.

GB251 jest dostarczany w częściowo naładowanym stanie i należy go w pełni naładować przed użyciem. Podłączyć GB251 za pomocą dołączonej ładowarki samochodowej 12V DC lub ładowarki ściennej XGC4 do portu IN 12V. Czas do ponownego naładowania GB251 będzie różnił się w zależności od poziomu rozładowania i zastosowanego źródła zasilania. Rzeczywiste wyniki mogą różnić się w zależności od stanu technicznego akumulatora i poziomu rozładowania.

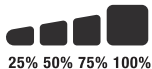
Podczas ładowania, diody LED ładowania wskazują poziom naładowania akumulatora. Diody LED będą powoli migać, a następnie świecić światłem stałym, aż wszystkie cztery diody zostaną zapalone. Gdy akumulator jest w pełni naładowany, świeci się zielona dioda 100%, a diody 25%, 50% i 75% są zgaszone. Od czasu do czasu zielona dioda 100% będzie pulsować, informując o przebiegającym ładowaniu konserwacyjnym.

Krok 2: Podłączyć akumulator.

Przeczytać uważnie i ze zrozumieniem instrukcję obsługi właściciela pojazdu dotyczącą właściwych środków ostrożności i zalecanych metod uruchamiania pojazdu za pomocą kabli rozruchowych. Przed użyciem tego produktu należy określić napięcie i skład chemiczny akumulatora wskazane w instrukcji obsługi akumulatora. GB251 jest przeznaczony do uruchamiania za pomocą kabli rozruchowych wyłącznie akumulatorów kwasowo-ołowiowych 24V. Przed podłączeniem do akumulatora należy sprawdzić, czy posiada się akumulator kwasowo-ołowiowy 24V. GB251 nie nadaje się do innych typów akumulatorów. Określić prawidłową biegunowość zacisków na akumulatorze. Dodatni zacisk akumulatora jest zazwyczaj oznaczany następującymi literami lub symbolami (POS,P,+). Ujemny zacisk akumulatora jest zazwyczaj oznaczany następującymi literami lub symbolami (NEG,N,-). Nie należy dokonywać żadnych połączeń z gaźnikiem, przewodami paliwowymi ani cienkimi, metalowymi częściami. Poniższe instrukcje dotyczą systemu ujemnego uziemienia (najczęściej spotykanego). Jeśli posiadany pojazd jest wyposażony w system dodatniego uziemienia (rzadko spotykany), należy sprawdzić instrukcję pojazdu odnośnie do prawidłowego uruchamiania za pomocą kabli rozruchowych.

Czas ładowania:	Wartości znamionowe ładowarki:
5hr	56W

Poziom akumulatora wbudowanego.



1.) Dodatnie (czerwone) klemy akumulatora należy podłączyć do dodatniego terminalu akumulatora (POS, P, +), a ujemne (czarne) klemy akumulatora należy podłączyć do ujemnego terminalu akumulatora (NEG, N, -) lub podwozia pojazdu.

Krok 3: **Rozruch.**

1.) Przed próbą rozruchu silnika upewnić się, że obciążenia pojazdu (reflektory, radio, klimatyzacja, itp.) są wyłączone.

2.) Nacisnąć przycisk zasilania, aby rozpocząć uruchamianie za pomocą kabli rozruchowych, wszystkie diody LED powinny raz zaświecić. W przypadku prawidłowego podłączenia do akumulatora zaświeci się biała dioda LED zasilania, a następnie diody LED ładowania akumulatora. W momencie wykrycia akumulatora rozpocznie się 60-sekundowe odliczanie limitu czasu.

3.) Spróbować uruchomić pojazd. Większość pojazdów uruchomi się natychmiast. Niektóre mogą wymagać podłączenia urządzenia GB251 przez co najmniej 30 sekund przed uruchomieniem pojazdu. Jeśli pojazd nie uruchomi się natychmiast, odczekać 20-30 sekund i spróbować ponownie. Nie podejmować więcej niż pięć (5) kolejnych prób uruchomienia w ciągu piętnastu (15) minut. Odczekać piętnaście (15) minut przed ponowną próbą uruchomienia pojazdu za pomocą urządzenia GB251.

4.) Po uruchomieniu pojazdu odłączyć zaciski urządzenia GB251 i usunąć urządzenie.

60-sekundowe odliczanie.

60-sekundowe odliczanie rozpocznie się po wykryciu akumulatora. Po upływie tego czasu funkcja ładowania rozruchowego zostanie wyłączona. Dioda LED Boost zgaśnie, a Diody LED ładowania wewnętrznego akumulatora będą informować o aktualnej mocy ładunku urządzenia. Aby zresetować funkcję ładowania rozruchowego i wyłączyć urządzenie, należy nacisnąć przycisk zasilania. Aby włączyć urządzenie i zrestartować funkcję ładowania rozruchowego, należy ponownie nacisnąć przycisk zasilania.

PRZESTROGA.

W TRYBIE RĘCZNEGO STEROWANIA FUNKCJA 60-SEKUNDOWEGO ODLICZANIA JEST WYŁĄCZONA. W TYM TRYBIE ZASILANIE BĘDZIE DOPROWADZANE. ABY JAK NAJCZĘŚCIEJ ŁADOWAĆ ROZRUCHOWO, ZALECA SIĘ WYŁĄCZENIE URZĄDZENIA BOOST ZARAZ PO URUCHOMIENIU POJAZDU.

Niskie napięcia akumulatora i ręczne obejście

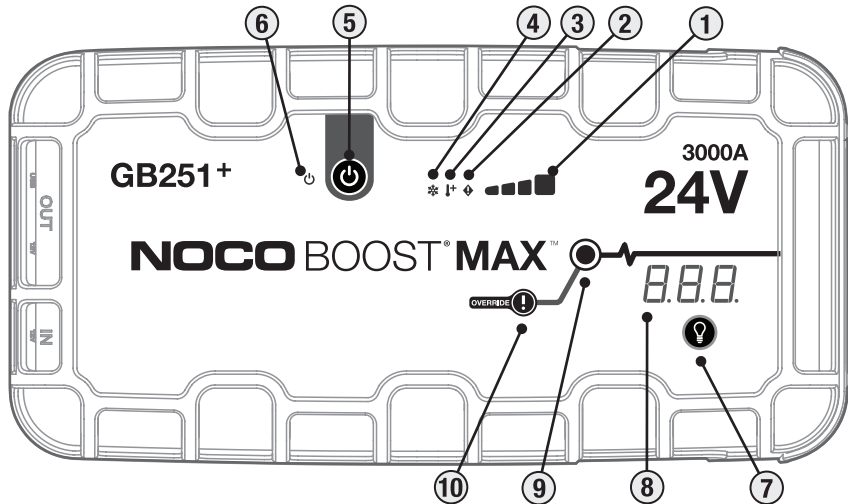
GB251 jest przeznaczony do uruchamiania za pomocą kabli rozruchowych wyłącznie akumulatorów kwasowo-ołowiowych w przedziale od 24V do 2V. Jeśli napięcie akumulatora wynosi poniżej 2V, dioda LED zostanie „wyłączona”. Oznacza to, że GB251 nie może wykryć akumulatora. Jeśli akumulator poniżej 2V wymaga uruchomienia za pomocą kabli rozruchowych, istnieje funkcja ręcznego przełączania, która umożliwia wymuszenie „włączenia” funkcji uruchomienia za pomocą kabli rozruchowych. Jeśli napięcie akumulatora wynosi poniżej 2V, dioda LED zasilania pozostaje wyłączona, a woltomierz nie wyświetla napięcia.

PRZESTROGA.

NINIEJSZEGO TRYBU UŻYWAĆ Z WYJĄTKOWĄ OSTROŻNOŚCIĄ. NINIEJSZY TRYB JEST PRZEZNACZONY WYŁĄCZNIE DLA AKUMULATORÓW KWASOWO-OŁOWIOWYCH 24V. FUNKCJE OCHRONY PRZECIWIISKROWEJ ORAZ PRZED ODWRÓCENIEM BIEGUNOWOŚCI SĄ WYŁĄCZONE. PRZED UŻYCIEM NINIEJSZEGO TRYBU NALEŻY ZWRÓCIĆ SZCZEGÓLNA UWAGĘ NA BIEGUNOWOŚĆ AKUMULATORA. NIE POZWOLIĆ, ABY UJEMNE I DODATNIE ZACISKI AKUMULATORA STYKAŁY SIĘ LUB ŁĄCZYŁY ZE SOBĄ, PONIWAŻ PRODUKT MOŻE WTEDY WYTWORZYĆ ISKRY. NINIEJSZY TRYB WYKORZYSTUJE BARDZO WYSOKIE NAPIĘCIE (DO 3000 AMPERÓW), CO MOŻE POWODOWAĆ ISKRY I WYSOKIE TEMPERATURY W PRZYPADKU NIEPRAWIDŁOWEGO UŻYTKOWANIA. BEZ WIEDZY CO DO SPOSOBU KORZYSTANIA Z NINIEJSZEGO TRYBU, NIE NALEŻY PODEJMOWAĆ PRÓBY ORAZ ZWRÓCIĆ SIĘ O DO SPECJALISTY.

Zasilanie urządzeń USB i o mocy 12V.

GB251 posiada (2) porty OUT USB i port OUT 12V (AUX 12V/ port zapalniczki). Po podłączeniu standardowych urządzeń USB lub urządzeń 12V (do 15A) należy „włączyć” GB251, aby uruchomić zasilanie swoich urządzeń.



Berło

1.) Poziom akumulatora wbudowanego. Informuje o poziomie naładowania akumulatora wbudowanego.

2.) Dioda LED błędu. Świeci się na czerwono w przypadku wykrycia odwrotnej polaryzacji lub miga „wł.” I „wyt.” W różnych sekwencjach (od 1 do 6 mignięć), aby przekazać informacje o błędach.

3.) Wskaźnik LED wysokiej temperatury Świeci na czerwono; jednostka jest w pełni sprawna, ale zbliża się do górnej granicy temperatury. Miga na czerwono; urządzenie jest zbyt gorące, aby uruchomić urządzenie w trybie skoku, w tym stanie dostępna jest tylko latarka.

4.) Wskaźnik LED niskiej temperatury Świeci na niebiesko; jednostka jest w pełni sprawna, ale zbliża się do dolnej granicy temperatury. Miga na niebiesko; urządzenie jest zbyt zimne, aby uruchomić urządzenie w trybie skoku, w tym stanie dostępna jest tylko latarka.

5.) Przycisk zasilania. Wcisnąć, aby włączyć i wyłączyć.

6.) Dioda LED zasilania. Świeci się na biało, gdy urządzenie jest włączone. Zaświeci się na pomarańczowo po 60-sekundowym odliczaniu do momentu wyjęcia zacisków z akumulatora samochodowego lub wyłączenia i ponownego włączenia zasilania GB251.

7.) Przycisk latarki. Uruchamia bardzo jasną diodę LED, działającą w 7 trybach: 100% > 50% > 10% > SOS > Miganie > Stroboskop > Wyłączona

8. Voltomierz / minutnik Wbudowany woltomierz odczytuje napięcie akumulatora pojazdu w celach uzyskania lepszej diagnostyki i rozwiązywania problemów. Voltomierz automatycznie odczytuje napięcie akumulatora (lub układu akumulatorów), gdy podłączone są do niego klemy, nawet podczas nieaktywności urządzenia. Voltomierz odczytuje napięcie między ~3 V i ~30 V. Jeśli podłączony akumulator ulegnie rozładowaniu poniżej 3 V, na ekranie woltomierza nie wyświetli się żadna informacja. Gdy napięcie jest tak niskie, istnieje prawdopodobieństwo, że włączone są urządzenia obciążające akumulator, np. światła drogowe lub klimatyzacja. Należy je wyłączyć przed próbą uruchomienia silnika. Gdy urządzenie jest włączone i po wykryciu baterii, woltomierz wyświetli 60-sekundowe odliczanie czasu.

9.) Dioda doładowania. Świeci się na biało, gdy doładowanie jest aktywne. Jeśli urządzenie jest prawidłowo podłączone do akumulatora, GB251 automatycznie wykryje akumulator i przejdzie w trybie doładowania (dioda LED miga na biało, gdy funkcja ręcznego obejścia jest aktywna).

10.) Przycisk obejścia ręcznego. Aby aktywować, należy nacisnąć i przytrzymać przez trzy (3) sekundy. **OSTRZEŻENIE: Tryb ten wyłącza zabezpieczenia i wymusza włączenie doładowania. Do użytku tylko wtedy, gdy napięcie baterii jest zbyt niskie, aby można było je wykryć.**

Rozwiązywanie problemów

	Błąd	Przyczyna/Rozwiązanie
⚠	Dioda LED błędu: Stałe, czerwone światło	Odwrócona biegunowość/Odwrócić podłączenie akumulatora.
	Dioda LED błędu: Migające, czerwone światło gdy przewody są prawidłowo podłączone	Wykryto zwarcie klemów akumulatora. / Poproś specjalistę o sprawdzenie baterii.
	Pojedynczy (1) błysk	Wykryto zwarcie klemów akumulatora. / Należy całkowicie odciążyć obwód oraz ponownie podłączyć klemy do akumulatora.
	Podwójna (2) lampa błyskowa	Wykryto wysokie napięcie na cęgach (GB251 jest podłączony do układu napięciowego większego niż 24V).
	Czterooosobowy (4) Flash	Błąd przekroczenia limitu czasu ładowania (tj. GB251 był ładowany zbiorczo zbyt długo)
	Pięciokrotnie (5) Flash	Nadmiar prądu XGC OUT (tj. Ponad 15 amperów jest pobieranych z portu XGC OUT)
⚡+	Sześć (6) Flash	Usterka BMS (systemu zarządzania baterią). (Zasilanie GB251 „wyłączone” i „włączone” ponownie w celu wyczyszczenia. Jeśli problem nie ustąpi, skontaktuj się z obsługą klienta)
	Wskaźnik LED wysokiej temperatury: Świeci się	Jednostka jest sprawna, ale zbliża się do górnej granicy temperatury. / Odczekaj, aż urządzenie ostygnie.
	Wskaźnik LED wysokiej temperatury: Miga	Urządzenie jest zbyt gorące, aby uruchomić urządzenie, w tym stanie dostępna jest tylko latarka. / Poczekaj, aż urządzenie ostygnie.
	Wskaźnik LED wysokiej temperatury: Miga, po czym gasną wszystkie diody LED	Jednostka jest zbyt gorąca do podładowania lub korzystania z innych funkcji. / Odczekaj, aż urządzenie ostygnie i przenieś je do chłodniejszego otoczenia.

❄️	Wskaźnik LED niskiej temperatury: Świeci się	Jednostka jest sprawna, ale zbliża się do dolnej granicy temperatury. / Oczekaj, aż urządzenie się rozgrzeje.
	Wskaźnik LED niskiej temperatury: Miga	Urządzenie jest zbyt zimne, aby je uruchomić, w tym stanie dostępna jest tylko latarka / Pozwól urządzeniu się rozgrzać.
	Wskaźnik LED niskiej temperatury: Miga, po czym gasną wszystkie diody LED	Jednostka jest zbyt zimna do podładowania lub korzystania z innych funkcji. / Oczekaj, aż urządzenie się rozgrzeje i przenieś je do cieplejszego otoczenia.
	Kontrolka doładowania nie zapala się, gdy przewody są prawidłowo podłączone	Napięcie podłączonego akumulatora spadło poniżej 3 V/Usunąć wszystkie obciążenia, spróbować ponownie lub użyć trybu ręcznego obejścia.

Dane techniczne

Akumulator wbudowany: 137Wh Litowo-jonowy	12V (wejście): 12V/5A (14V Maks)
Znamionowy prąd szczytowy: 3000A	12V (wyjście): 12V, 15V Maks
Temperatura pracy: -20°C do +50°C	Ochrona obudowy: IP65 (przy zamkniętych gniazdach)
Temperatura ładowania: 0°C do +40°C	Chłodzenie: Konwekcja naturalna
Temperatura przechowywania: -20°C do +50°C (śr. temp.)	Wymiary (dł. x szer. x wys.): 31,75 x 20,83 x 3,39 Cm
USB (wyjście): 5 V, 2,1 A	Masa: 6,19 kilogramy (13,65 lb)

Firma NOCO udziela jednorocznej (1) ograniczonej gwarancji.

NOCO ("NOCO") gwarantuje, że opisywany produkt ("Produkt") będzie wolny od wad materiałowych i wykonawczych przez okres jednego (1) roku od daty zakupu ("Okres gwarancji"). W przypadku usterek powstałych w okresie obowiązywania gwarancji, NOCO według własnego uznania, z uwzględnieniem analizy technicznej NOCO, naprawi lub wymieni wadliwe produkty. Części zamienne i produkty będą nowe lub zdatne do użytku, o funkcjonalności i wydajności porównywalnych do oryginalnych części i objęte gwarancją do końca pierwotnego Okresu gwarancji.

ODPOWIEDZIALNOŚĆ NOCO ZOSTAJE NINIEJSZYM ŚCIŚLE OGRANICZONA DO WYMIANY LUB NAPRAWY. W MAKSYMALNYM ZAKRESIE DOPUSZCZALNYM PRZEZ PRAWO, NOCO NIE BĘDZIE ODPOWIADAĆ PRZED NABYWCĄ PRODUKTU LUB STRONĄ TRZECIĄ ZA JAKIKOLWIEK UMYŚLNE, POŚREDNIE, WTÓRNE LUB SZCZEGÓLNE SZKODY, TAKIE JAK UTRATA DOCHODÓW, SZKODY MATERIALNE LUB OBRAŻENIA ZWIĄZANE W JAKIKOLWIEK SPOSÓB Z PRODUKTEM, NIEZALEŻNIE OD PRZYCZYNY, NAWET GDY NOCO DYSPONOWAŁA WIEDZĄ O MOŻLIWOŚCI POWSTANIA TAKIEJ SZKODY. GWARANCJE OKREŚLONE W NINIEJSZYM DOKUMENCIE ZASTĘPUJĄ WSZYSTKIE INNE GWARANCJE, WYRAŻONE, DOROZUMIANE, STATUTOWE LUB INNE, W TYM DOROZUMIANE GWARANCJE PRZYDATNOŚCI HANDLOWEJ I ZDATNOŚCI DO OKREŚLONEGO CELU ORAZ TE WYNIKAJĄCE Z PRZEBIEGU TRANSAKCJI, SPOSOBU UŻYTKOWANIA LUB PRAKTYKI HANDLOWEJ. GDY PRAWO WŁAŚCIWE NAKŁADA GWARANCJE, WARUNKI LUB ZOBOWIĄZANIA, KTÓRYCH NIE MOŻNA WYŁĄCZYĆ LUB ZMODYFIKOWAĆ, NINIEJSZY USTĘP STOSUJE SIĘ W GRANICACH DOPUSZCZALNYCH PRZEZ PRAWO.

Niniejsza Ograniczona gwarancja dotyczy wyłącznie pierwotnego nabywcy Produktu firmy NOCO od autoryzowanego odsprzedawcy lub dystrybutora firmy NOCO i nie podlega cesji ani nie jest zbywalna. Aby dochodzić roszczeń gwarancyjnych, nabywca musi: (1) uzyskać numer autoryzacyjny handlowca (RMA) wraz z informacjami o miejscu zwrotu ("Miejsce zwrotu") od wsparcia technicznego firmy NOCO, wysyłając wiadomość pod adres support@no.co lub dzwoniąc pod numer 1 800 456 6626; oraz (2) wysłać Produkt, wraz z numerem RMA, rachunek lub opłatę gwarancyjną (wymagana wyłącznie wtedy, gdy nie ma rachunku) wynoszącą 45% sugerowanej ceny detalicznej wadliwego produktu ("Opłata gwarancyjna") [RMA będzie obejmować stosowną wysokość Opłaty gwarancyjnej] do Miejsca zwrotu. NIE WYSYŁAĆ PRODUKTU BEZ WCZESNIEJSZEGO UZYSKANIA NUMERU RMA OD DZIAŁU POMOCY TECHNICZNEJ FIRMY NOCO.

KOSZTY PAKOWANIA I TRANSPORTU W CELU PRZEPROWADZANIA NAPRAWY GWARANCYJNEJ POKRYWA PIERWOTNY NABYWCA.

NIEZALEŻNIE OD POWYŻSZYCH, NINIEJSZA OGRANICZONA GWARANCJA JEST NIEWAŻNA I NIE MA ZASTOSOWANIA DO PRODUKTÓW, GDY: (a) są one używane niewłaściwie bądź nieprawidłowo lub obsługiwane z nadmierną siłą lub niedbale, ulegną wypadkowi, są nieprawidłowo przechowywane lub obsługiwane w warunkach skrajnego napięcia, temperatury, wstrząsu lub wibracji przekraczających zalecenia NOCO dotyczące bezpiecznej i skutecznej obsługi; (b) produkt jest nieprawidłowo zamontowany, obsługiwany lub serwisowany; (c) produkty są/zostały zmodyfikowane bez wyraźnej, pisemnej zgody firmy NOCO; (d) produkty zostały zdemontowane, zmienione lub naprawione przez osobę spoza firmy NOCO; (e) wady zgłoszono po wygaśnięciu Okresu gwarancji.

TA OGRANICZONA GWARANCJA NIE OBEJMUJE: (1) normalnego zużycia; (2) uszkodzeń kosmetycznych, które nie wpływają na funkcjonalność; lub (3) Produktów, na których brakuje numeru seryjnego firmy NOCO, został on zmieniony lub jest nieczytelny.

WARUNKI BEZPROBLEMOWEJ GWARANCJI

Niniejsze warunki mają zastosowanie jedynie do produktu objętego okresem gwarancji. Gwarancję bezproblemową uważa się za nieważną w przypadku przekroczenia terminu gwarancji liczonego od daty zakupu (czas, który upłynął od daty numeru seryjnego, jeżeli użytkownik nie dysponuje dowodem zakupu) lub wystąpienia jakiegokolwiek z warunków wymienionych wcześniej w niniejszym dokumencie. Produkt należy zwrócić wraz ze stosowną dokumentacją.

Z dowodem zakupu:

1 rok: BEZ OPŁATY. W przypadku posiadania dowodu zakupu, okres gwarancji rozpoczyna się w dniu zakupu

BEZ dowodu zakupu:

1 rok: BEZ OPŁATY. W przypadku BRAKU dowodu zakupu, okres gwarancji rozpoczyna się w dniu numeru seryjnego.

Użytkownik może zarejestrować produkt firmy NOCO przez internet, pod adresem: no.co/register. W razie pytań dotyczących gwarancji lub produktu, prosimy o kontakt z działem pomocy technicznej firmy NOCO (podane wyżej adres e-mail lub nr telefonu) lub napisać na adres: The NOCO Company, at 30339 Diamond Parkway, #102, Glenwillow, OH 44139 USA.

NOCO BOOST[®] MAX[™] GB251+



VESZÉLY

Használati útmutató és garancia



OLVASSA EL ÉS ÉRTSE MEG AZ ÖSSZES BIZTONSÁGI INFORMÁCIÓT, MIELŐTT HASZNÁLATBA VENNÉ A TERMÉKET. A biztonsági utasítások betartásának elmulasztása ÁRAMÜTÉST, ROBBANÁST, TÜZET eredményezhet, amelyek KOMOLY SÉRÜLÉST, HALALT vagy VAGYONI KÁRT eredményezhetnek.



Áramütés. A termék egy olyan elektromos eszköz, amely megrázhathja, és súlyos sérülést okozhat. Ne vágja el a hálózati kábeleket. Ne merítse vízbe vagy nedvesítse meg.



Robbanás. Az ellenőrizetlen, inkompatibilis, vagy sérült akkumulátorok felrobbanhatnak, ha azokat a termékkel együtt használja. Használat közben ne hagyja felügyelet nélkül a terméket. Ne próbálkozzon sérült vagy fagyott akkumulátor gyorsindításával. Kizárólag az ajánlott feszültségű akkumulátorokkal használja a terméket. Jól szellőző helyen működtesse a terméket.



Tűz. A termék egy olyan elektromos eszköz, amely hőt bocsát ki, és képes égési sérülést okozni. Ne takarja le a terméket. Ne dohányozzon vagy használjon bármiféle elektromos szikra- vagy tűzforrást a termék működtetése közben. Tartsa távol a terméket a gyúlékony anyagoktól.



Szemszérülés. Viseljen szemvédőt, amikor használja a terméket. Az akkumulátorok felrobbanhatnak és hulladék szétszóródását okozhatják. Az akkumulátorsav szem- és bőrirritációt okozhat. Szembe vagy bőrre kerülés esetén öblítse le az érintett területet tiszta, folyó vízzel és haladéktalanul vegye fel a kapcsolatot a mérgeellenőrzéssel.



Robbanó gázok. Az ólomsav közelében dolgozni veszélyes. Szokásos akkumulátor-működés során az akkumulátorok robbanó gázokat termelnek. Az akkumulátor robbanásveszélyének csökkentése érdekében kövessen minden biztonsági információt, és a gyártó, illetve az akkumulátor közelében használt felszerelések gyártói által leírt utasítást. Tekintse át a figyelmeztető jeleket ezeken a termékeken és a motoron.

Magyar

Ha további információra és segítségre van szüksége, látogassa meg a következő oldalt:

www.no.co/support

Fontos biztonsági figyelmeztetések

VIGYÁZAT

A manuális üzemmód minden biztonsági intézkedést kikapcsol. A készülék nem megfelelő és/vagy a javasolt alkalmazástól eltérő használata sérülést vagy halált okozhat, és a jótállás elvesztését vonja maga után. Tűz-, robbanás- és égési sérülés veszély. Ne szerelje szét, ne törje össze, ne melegítse 60°C (140°F) fölé és ne égesse el. A készüléket nem tartós kültéri használatra tervezték, ezért a megfelelő óvintézkedéseket kell tenni, ha a készüléket nedves körülmények között használják.

FIGYELEM

Ne töltse túl a beépített akkumulátort. Lásd a Használati Utasítást. A készülék közelében ne dohányozzon, ne gyújtson gyufát valamint kerülje a szikraképződést. A beépített akkumulátort csak jól szellőző helyiségben töltsé, amikor a készülék nincs használatban.

VIGYÁZAT

Személyi sérülés kockázata. Ne használja a készüléket, ha a tápkábel vagy az akkumulátor kábelek sérültek. A készülék nem használható üzletszerűen működő szervízben. Amikor nincs használatban, a készüléket beltérben kell tárolni. A készüléket tilos kültéren tárolni vagy hagyni, amikor nincs használatban.

65. sz. kaliforniai indítvány. Az akkumulátor pólusok, a saruk, és a tartozékok vegyi anyagokat - többek között ólmot - tartalmaznak. Ezek az anyagok Kalifornia állam tudomása szerint rákot, születési rendellenességeket és más reprodukciós zavarokat okozhatnak. **Személyi óvintézkedés.** A terméket kizárólag rendeltetészerűen használja. Egy további személynek ajánlott hallótávolságon belül, vagy olyan közelségben tartózkodni, hogy vészhelyzet esetén a segítségére tudjon sietni. Legyen tiszta víz forrás és szappan a közelben akkumulátorsav szennyezés esetére. Viseljen teljes szemvédőt és védőruházatot, amikor az akkumulátor közelében dolgozik. Mindig mosson kezet, miután érintkezett az akkumulátorokkal vagy a hozzá tartozó anyagokkal. Amikor az akkumulátorokkal dolgozik, ne érintkezzen semmilyen fémtárggyal, és ne is viseljen ilyeneket, beleértve az eszközöket, órákat, vagy ékszereket. Ha fémet ejt az akkumulátorra, az szikrázhat, vagy áramütést, tüzet, és robbanást eredményező rövidzárlatot okozhat, amelyek sérülést, halált, vagy vagyoni kárt eredményezhetnek. **További felhasználók.** Amennyiben a terméket a „Vásárló” további felhasználónak kívánja átadni használatra, a vásárló felnőtt személy egyetért azzal, hogy a használat előtt minden további felhasználót ellát a részletes utasításokkal és figyelmeztetésekkel. Ezek elmulasztása kizárólag a „Vásárló” felelősségét terheli, aki egyetért azzal, hogy NOCO-t kártalanítja, amennyiben egy további felhasználó nem szándékosan vagy helytelenül használja a terméket. **Fulladásveszély.** A tartozékok fulladásveszélyt jelenthetnek a gyermekek számára. Ne hagyja felügyelet nélkül a

gyermeket a termékkel vagy annak bármely tartozékával. Ez a termék nem játék. **Kezelés.** Kezelje óvatosan a terméket. A termék sérülhet, ha ütés éri. Ne használjon sérült terméket, beleértve egyebek mellett az akkumulátorház repedéseit vagy sérült kábeleket. Ne használja a terméket sérült hálózati kábellel. A pára és a folyadékok károsíthatják a terméket. Ne érintkezzen a termékkel vagy bármely elektromos részével folyadék közelében. A terméket száraz helyen tárolja és működtesse. Ne használja a terméket, ha az nedves lesz. Amennyiben a termék működés közben lesz nedves, azonnal válassza le az akkumulátorról és ne használja tovább. Ne a kábelek meghúzásával válassza le a terméket. **Módosítások.** Ne próbálkozzon a termék bármely részének átalakításával, módosításával vagy javításával. A termék szétszerelése sérülést, halált vagy vagyoni kárt okozhat. Amennyiben a termék megsérül, rosszul működik vagy bármiféle folyadékkal érintkezik, ne használja tovább, és vegye fel a kapcsolatot a NOCO-val. A termék bármiféle módosítása érvényteleníti a garanciát. **Tartozékok.** Ez a termék kizárólag NOCO tartozékokkal használható. NOCO nem vállal felelősséget a felhasználó biztonságáért vagy a károkért, ha NOCO által nem jóváhagyott tartozékok kerülnek használatra. **Hely.** Ha sav szivárog az akkumulátorból, ügyeljen arra, hogy ne kerüljön a termékre. Ne működtesse a terméket zárt vagy rosszul szellőző térben. Ne tegye az akkumulátort a termék tetejére. A balesetből eredő károk elkerülése érdekében helyezze az indítókábelt távol a gépjármű részeitől (beleértve a motorháztetőt és ajtókat), a motor részeitől (beleértve a motor ventilátor lapátjait, az ékszíjakat és az ékszíjtárcsákat) vagy egyéb, esetleges sérülést vagy halált okozó veszélyforrásoktól. **Működési hőmérséklet.** Ezt a terméket -20 °C és 50 °C közötti környezeti hőmérsékleten történő használatra tervezték. Ne működtesse ezen a hőmérsékleti tartományon kívül. Ne indítson sérült vagy fagyott akkumulátort gyorsindítóval. Azonnal függessze fel a termék használatát, ha az akkumulátor túlságosan felmelegszik. **Tárolás.** Ne használja vagy tárolja a terméket magas porkoncentrációval vagy levegőben található egyéb anyagokkal rendelkező helyen. A terméket sík, biztonságos felületen tárolja, ahonnan nem eshet le. Száraz helyen tárolja a terméket. A tárolási hőmérséklet -20 °C - 50 °C (0°C ... +40°C átlaghőmérséklet). Soha, semmilyen körülmények között ne lépje túl a 80°C-ot. **Kompatibilitás.** A termék csak 12 voltos ólomsavas akkumulátorrendszerekkel kompatibilis. Ne használja a terméket más típusú akkumulátorral. Más típusú akkumulátor gyorsindítása sérülést, halált vagy anyagi kárt okozhat. Az akkumulátor gyorsindítása előtt vegye fel a kapcsolatot a gyártóval. Ne végezzen gyorsindítást az akkumulátoron, ha bizonytalan az akkumulátor konkrét vegyi összetételét vagy feszültségét illetően. **Az akkumulátor.** Az termékbe épített lítium-ion akkumulátort kizárólag NOCO cserélheti ki, amelyet aztán újra kell hasznosítani, vagy a háztartási hulladéktól elkülönítve kell tárolni. Ne próbálkozzon az akkumulátor otthoni kicserélésével, és ne érintkezzen olyan akkumulátorral, amely sérült vagy amelyből szivárog a lítium-ion. Soha ne tegye az akkumulátort a háztartási hulladékok közé. Az akkumulátorok háztartási hulladékok közötti elhelyezése ellentétes az állami és szövetségi környezetvédelmi törvényekkel és szabályozásokkal. Mindig vigye el a használt akkumulátorokat a helyi akkumulátor újrahasználati központba. Ha a termék akkumulátora túlságosan forró, szagot bocsát ki, eldeformálódik vagy rendellenes jelenséget észlel vagy mutat, azonnal függessze fel a használatát és vegye fel a kapcsolatot a NOCO-val. **Az akkumulátor töltése.** A terméket a mellékelt 12 VDC autós töltővel vagy XGC4 fali töltővel töltsen. Ne használjon általános vagy más gyártó által gyártott hálózati adaptereket, mivel azok súlyos elektromos kockázatot jelenthetnek, ami személyek esetében sérülést, készülék esetében károsodást és anyagi kárt okozhat. Sérült kábelek vagy töltők használata nedvesség közelében áramütést eredményezhet. NOCO nem vállal felelősséget a

felhasználó biztonságáért, ha NOCO által nem jóváhagyott tartozékokat vagy tápegységeket használnak. XGC4 fali töltő használata esetén ellenőrizze, hogy az AC dugasz teljesen be van-e helyezve az adapterbe, mielőtt bedugja a konnektorba. A hálózati adapterek rendes használat során felmelegedhetnek, és ha huzamos ideig érintkeznek a bőrrel, testi sérülést okozhatnak. Használat közben mindig tegye lehetővé a megfelelő szellőzést. Az akkumulátor maximális élettartamának biztosítása érdekében kerülje az egyszerre egy hétnél tovább tartó töltést, mivel a túltöltés megrövidítheti az akkumulátor élettartamát. Idővel a használaton kívüli termék lemerül és használat előtt ismét fel kell tölteni. Ha nem használja a terméket, akkor válassza le az áramforrásról. Használja a terméket rendeltetésszerűen. **Orvostechinikai eszközök.** A termék elektromágneses mezőket bocsáthat ki. A termék mágneses összetevőket tartalmaz, amelyek megzavarhatják a pacemakereket, defibrillátorokat vagy más orvostechinikai eszközöket. Ezek az elektromágneses mezők megzavarhatják a pacemakereket vagy más orvostechinikai eszközöket. Amennyiben rendelkezik bármiféle orvostechinikai eszközzel, beleértve a pacemakert, használat előtt konzultáljon orvosával. Amennyiben úgy véli, hogy a termék megzavar egy orvostechinikai eszközt, azonnal függesse fel a termék használatát és konzultáljon orvosával. **Égésügyyi állapot.** Amennyiben van olyan égésügyyi problémája, amelyről úgy gondolja, hogy a termék befolyásolhatja, beleértve egyebek mellett az agyvérzést, ájulást, szemfáradtságot vagy fejfájást, használat előtt konzultáljon orvosával. A beépített nagy teljesítményű zseblámpa használata fényérzékenység veszélyét hordozza magában. A lámpa villogó fény üzemmódban történő használata agyvérzést okozhat a fotoszenzitív epilepsziával rendelkező személyeknél, amely súlyos sérüléshez vagy halálhoz vezethet. **Lámpa.** Ha egyenesen a zseblámpa fényébe néz, az maradandó szemsérülést eredményezhet. A termék felszereltségéhez tartozik egy nagy teljesítményű LED előfokuszált lámpa, amely erős fénysugarat bocsát ki a legmagasabb beállításban. **Tisztítás.** Mindennemű karbantartás vagy tisztítás előtt áramtalanítsa a terméket. Azonnal tisztítsa és szárítsa meg a terméket, ha az folyadékkal vagy bármilyen más szennyeződéssel érintkezik. Használjon puha, szőszmentes (mikroszálas) ruhát. Kerülje el a nedvesség nyílásokba kerülését. **Robbanásveszélyes légkör.** Kövesse a jeleket és utasításokat. Ne működtesse a terméket feltehetően robbanásveszélyes légkörön belül, beleértve az üzemanyagotöltő, vagy vegyi anyagokat, illetve részecskéket, például szemcséket, port vagy fémport tartalmazó területeket. **Fokozottan veszélyes tevékenységek.** Ezt a terméket nem olyan használatra szánták, ahol a termék hibás működése sérüléshez, halálhoz vagy súlyos környezetkárosításhoz vezethetne. **Rádiófrekvencia zavar.** A terméket úgy tervezték, tisztelték és gyártották, hogy megfeleljen a rádiófrekvencia kibocsátásokra vonatkozó irányadó szabályozásoknak. A termék ilyen jellegű kibocsátásai negatívan hathatnak más elektromos berendezésekre, amelyek hibás működését okozhatják. **Modellszám: GB251** Ez a készülék megfelel az FCC szabályok 15. részének. Üzemeltetése az alábbi két feltételhez kötött: (1) a készülék nem okozhat káros zavart, és (2) a készülék működését nem zavarják a környezetben előforduló zavarjelek. **MEGJEGYZÉS:** Ezt a berendezést tesztelés után megfelelőnek találták az A kategóriájú digitális eszközök határértékeinek az FCC szabályok 15. része szerint. Ezeknek a határértékeknek az a céljuk, hogy megfelelő védelmet biztosítsanak a káros zavarás ellen, ha a berendezést nagyüzemi környezetben üzemeltetik. Ez a berendezés rádiófrekvenciás energiát generál, használ vagy sugározhat ki, és ha nem a kezelési útmutató szerint szereli be vagy használja, káros zavart okozhat a rádiós kommunikációban. A berendezés lakóterületen történő használata olyan káros zavart okozhat, amely után a felhasználónak saját költségére kell elhárítania a zavart.

Használata

1. lépés: Töltse fel a GB251 készüléket.

A GB251 részlegesen feltöltve kerül kiszállításra, és használat előtt teljesen fel kell tölteni. Csatlakoztassa a GB251-et a mellékelt 12 V DC autós töltővel vagy az XGC4 fali töltővel a 12 V-os IN portra. A GB251 újratöltéséhez szükséges idő a lemerültség mértékétől és a használt áramforrástól függően eltérő. A tényleges eredmények változhatnak az akkumulátor állapotától és a lemerültség mértékétől függően.

Feltöltés közben a belső akkumulátor töltöttségi szintjét jelzi a töltő LED fénye. A LED fény lassan fog pulzálni és állandósul, amikor mind a négy töltő LED fény kigyullad. Amikor az akkumulátor teljesen feltöltődik, a zöld 100% LED fény állandósul, a 25%, az 50% és a 75% töltő LED fény kialszik. Időről időre a 100% LED fény pulzálni fog, ezzel jelezve, hogy a fenntartó töltés folyamatban van.

2. lépés: Csatlakoztassa az akkumulátorhoz.

Alaposan olvassa el és értse meg a járműtulajdonosi kézikönyvet a jármű gyorsindításával kapcsolatos óvintézkedések és javasolt módszerek tekintetében. A termék használata előtt tanulmányozza az akkumulátor feszültségét és kémiai jellemzőit az akkumulátor használati utasításában. A GB251 csak 24 voltos ólomsavas akkumulátorrendszerek gyorsindítására alkalmas. Az akkumulátorhoz való csatlakoztatás előtt ellenőrizze, hogy 24 voltos ólomsavas akkumulátorrendszerről van-e szó. A GB251 más típusú akkumulátorokhoz nem alkalmas. Azonosítsa az akkumulátor saruinak helyes polaritását. Az akkumulátor pozitív pólusa jellemzően ezekkel a betűkkel vagy (POS,P,+) szimbólummal van jelölve. Az akkumulátor negatív pólusa jellemzően ezekkel a betűkkel vagy (NEG,N,-) szimbólummal van jelölve. Ne csatlakoztassa karburátorra, üzemanyagcsövekre vagy vékony fém alkatrészekre. Az alábbi utasítások negatív földelési rendszerre vonatkoznak (ez a leggyakoribb). Ha a jármű pozitív földelési rendszerrel van ellátva (nagyon ritka), olvassa el a jármű kézikönyvében a megfelelő gyorsindítási utasításokat.

Feltöltési idő:

5hr

Töltő besorolása:

56W

A belső akkumulátor szint



1.) Csatlakoztassa a pozitív (piros) akkumulátorsarut az akkumulátor pozitív (POS, P, +) pólusára, a negatív (fekete) akkumulátorsarut pedig az akkumulátor negatív (NEG, N, -) pólusára vagy a gépjármű alvázára.

3. lépés: **Gyorsindítás.**

1.) Mielőtt megkísérelné a gépjármű gyorsindítását, bizonyosodjon meg róla, hogy a gépjármű minden elektromos berendezését (világítás, rádió, légkondicionáló, stb.) kikapcsolta.

2.) Nyomja meg a bekapcsoló gombot a gyorsindítás megkezdéséhez, és minden LED egyszerre felvillan. Ha megfelelően csatlakozik az akkumulátorra, a fehér indító LED világít, és az akkumulátor töltő LED-ek felvillannak. Az akkumulátor észlelésekor egy 60 másodperces visszaszámlálás veszi kezdetét.

3.) Próbálja meg elindítani a járművet. A legtöbb jármű azonnal elindul. Néhány gépjárműnek akár 30 másodperces csatlakozásra is szüksége lehet a GB251 készülékhez az indítás előtt. Ha a gépjármű nem indul azonnal, várjon 20-30 másodpercet, majd próbálja újra. Ne kíséreljen meg öt (5) egymást követő gyorsindításnál többet egy tizenöt (15) perces időszakon belül. Hagyja a GB251 készüléket pihenni tizenöt (15) percig, mielőtt újból megkísérelné a gépjármű gyorsindítását.

4.) Ha sikerül a gépjármű beindítása, csatlakoztassa szét az akkumulátor csipeszeket és távolítsa el a GB251 készüléket.

60 másodperces várakozás

Az akkumulátor érzékelését követően a készülék azonnal 60 másodperces visszaszámlálást kezd. 60 másodperc elteltével a bikázás funkció nem lesz elérhető. A Boost LED kialszik, a belső akkumulátortöltő LEDek jelzik a készülék aktuális töltöttségi szintjét. A bikázás funkció visszaállításához nyomja meg a Power gombot a készülék kikapcsolásához. Nyomja meg ismét a Power gombot a készülék bekapcsolásához és a bikázás funkció visszaállításához.

VIGYÁZAT.

A 60 MÁSODPERCES VÁRAKOZÁS KI LESZ KAPCSOLVA, HA KÉZI FELÜLÍRÁS MÓDBAN HASZNÁLJA A KÉSZÜLÉKET. A KÉSZÜLÉK AKTÍV KÉZI FELÜLÍRÁS MÓDBAN IS KAP ÁRAMOT. A BIKÁZÁSOK SZÁMÁNAK MAXIMALIZÁLÁSÁHOZ, JAVASOLJUK, HOGY AZONNAL KAPCSOLJA KI A KÉSZÜLÉKET A JÁRMŰ INDULÁSA UTÁN.

Alacsony névfeszültségű akkumulátorok és kézi vezérlés

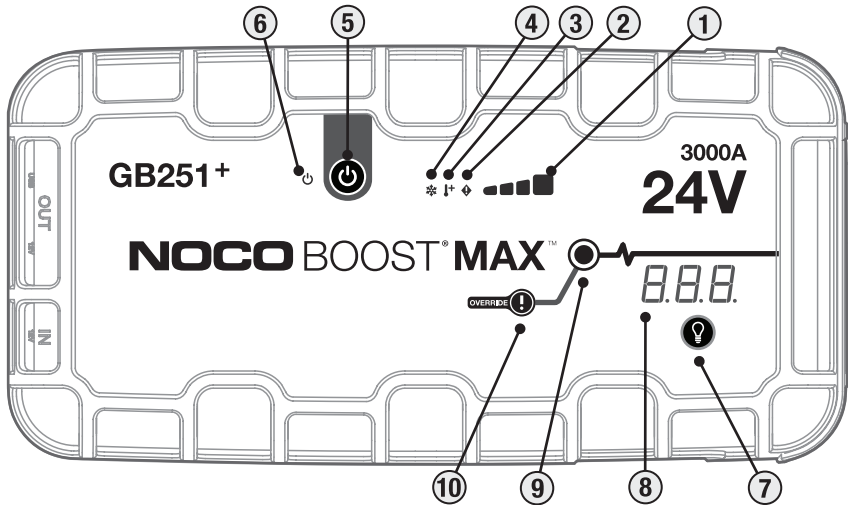
A GB251 24 voltos ólomsavas akkumulátorrendszerek gyorsindítására tervezték 2 voltig. Ha az akkumulátor 2 volt alatt van, az indító LED „ki „ van kapcsolva. Ez azt jelzi, hogy a GB251 nem képes az akkumulátort észlelni. Ha 2 volt alatt kell gyorsindítást végezni az akkumulátoron, van egy kézi vezérlés funkció, amelynek segítségével a gyorsindítás funkció kényszerítetten „bekapcsolható”. Ha az akkumulátor 2 volt alatt van, az indító LED kikapcsol, és a feszültségmérő nem jelenít meg feszültséget.

VIGYÁZAT.

EZT A MÓDOT KÜLÖNÖS ODAFIGYELÉS MELLETT HASZNÁLJA. EZ A MÓD KIZÁRÓLAG 24 VOLTOS ÓLOMSAVAS AKKUMULÁTOROK SZÁMÁRA ÁLL RENDELKEZÉSRE. SEM A SZIKRA VÉDELEM, SEM A FORDÍTOTT POLARITÁS VÉDELEM TULAJDONSÁGOK NEM ELÉRHETŐK. FORDÍTSON NAGYON KÜLÖNÖS FIGYELMET AZ AKKUMULÁTOROK POLARITÁSÁRA, MIELŐTT EZT A MÓDON HASZNÁLJA. NE ENGEDJE, HOGY A POZTÍV ÉS NEGATÍV AKKUMULÁTOR CSIPESZEK EGYMÁSHOZ ÉRJENEK VAGY CSATLAKOZZANAK, MIVEL ÍGY A TERMÉK SZIKRÁKAT KÉPEZHET. EZ A MÓD NAGYON MAGAS ÁRAMERŐSSÉGET HASZNÁL (3000 A-IG TERJEDŐEN), AMELY NEM MEGFELELŐ HASZNÁLAT ESETÉN SZIKRÁZÁST ÉS MAGAS HŐT OKOZHAT. HA NEM BIZTOS ENNEK A MÓDNAK A HASZNÁLATÁBAN, NE KÍSÉRELJE MEG AZT, KÉRJE SZAKEMBER SEGÍTSÉGÉT.

USB és 12 V-os készülékek bekapcsolása.

A GB251 (2) USB-OUT porttal és egy 12V OUT porttal (12 V AUX/szivargyújtó töltő) van ellátva. Csatlakoztassa a normál USB-eszközt vagy a 12 V-os eszközt (15 A-ig), és kapcsolja „be” a GB251-et az eszközök áramellátásának megkezdéséhez.



Felület

1.) A belső akkumulátor szint jelzi a belső akkumulátor töltöttségi szintjét.

2.) Hiba LED Piros színnel világít, ha fordított polaritást észlel, vagy villog „be” és „kikapcsolt” különféle szekvenciákban (1–6 villogás) a hibakörülmények közvetítéséhez.

3.) Forró LED Folyamatosan pirosan világít; a készülék teljesen üzemképes, de a felső hőmérsékleti határértékhez közelít. Pirosan villog; az egység túl meleg ahhoz, hogy elindulhasson, csak a zseblámpa áll rendelkezésre ebben az állapotban.

4.) Hideg LED Folyamatosan kéken világít; a készülék teljesen üzemképes, de az alsó hőmérsékleti határértékhez közelít. Villogó kék; egység túl hideg az indításhoz, csak a zseblámpa áll rendelkezésre ebben az állapotban.

5.) Bekapcsoló gomb Nyomja meg az egység „be-” és „kikapcsolásához”.

6.) Bekapcsoló LED Fehér fényvel villan fel, ha ez az egység „bekapcsolt”. Narancssárgán világít a 60 másodperces időtűllépés után, amíg a bilincseket eltávolítják az autó akkumulátorától, vagy a GB251-et ismét kikapcsolják, majd újra bekapcsolják.



7.) Világításmód gomb Az ultra fényes LED fényt 7 világítási módba kapcsolhatja: 100% > 50% > 10% > SOS > pislákoló > villogó > kikapcsolás

8. Voltmérő / visszazámláló A beépített feszültségmérő leolvassa a gépjármű akkumulátorának feszültségét a hatékony diagnosztika és a hibák felfedezése érdekében. A feszültségmérő automatikusan leolvassa az akkumulátor (vagy akkumulátor rendszer) feszültségét, miután csatlakoztatta az akkumulátor csipeszeit, még akkor is, ha az egység nincs bekapcsolva. A feszültségmérő ~3V és ~30V közötti feszültséget fog mérni. Ha a csatlakoztatott akkumulátor feszültsége 3V alatt van, akkor semmi sem jelenik meg a kijelzőn. Ha a feszültség ennyire alacsony, valószínű, hogy terhelés(ek) van(nak) az akkumulátoron, például világítás vagy hűtőventilátor, amelyeket le kell kapcsolni, mielőtt megkísérelné a gépjármű beindítását. Amíg az egység be van kapcsolva, és miután elemet észlelt, a voltmérő megjeleníti a 60 másodperces időkorlátot.

9.) Indító LED Fehér fényvel villan fel, ha működik az indítás. Ha az egységet megfelelően csatlakoztatta az akkumulátorhoz, a GB251 készülék automatikusan észleli az akkumulátort és indító módba kapcsol (a LED fehér fényvel villog, amikor a kézi vezérlés tulajdonságot használja).

10.) Kézi vezérlés gomb Az engedélyezéséhez nyomja meg és tartsa lenyomva három (3) másodpercig. **FIGYELMEZTETÉS: Kikapcsolja a biztonságvédelmet, és kézi vezérléssel kényszeríti az indítás bekapcsolását. Csak akkor használható, ha az akkumulátor feszültsége túl alacsony ahhoz, hogy észlelhető legyen.**

Hibaelhárítás

Hiba	Ok/megoldás
Hiba LED: Állandó piros	A polaritás kicserélése/Cserélje meg az akkumulátorok csatlakozását.
Hiba LED: Pislákoló piros Megfelelően csatlakozott a kábelekhez	Az akkumulátorsarukon rövidzárlatot érzékelt a készülék. / Ellenőrizze az akkumulátort szakemberrel.
Egy (1) villanás	Az akkumulátorsarukon rövidzárlatot érzékelt a készülék. / Szüntesse meg a terhelést, csatlakoztassa újra az akkumulátor sarukat.
 Dupla (2) vaku	Magas feszültség észlelhető a bilincseken (a GB251 24 V-nál nagyobb feszültségű rendszerhez van csatlakoztatva).
Négyszeres (4) vaku	Töltés időkorlátja (vagyis a GB251 túl sokáig töltötte ömlesztve)
Ötszörös (5) vaku	XGC OUT over current (azaz több mint 15 amper vesznek az XGC OUT portból)
Sextuple (6) Flash	BMS (Battery Management System) hiba. (A GB251 tápellátás kikapcsolása és „be” kapcsolása a törléshez. Ha a probléma továbbra is fennáll, vegye fel a kapcsolatot az ügyfélszolgálatlal)
Forró LED: Folyamatos	A készülék teljesen üzemképes, de közelít a felső hőmérsékleti határértékhez. / Hagyja lehűlni a készüléket.
 Forró LED: Villog	Az egység túl meleg ahhoz, hogy elinduljon, csak a zseblámpa áll rendelkezésre ebben az állapotban. / Hagyja kihűlni az egységet.
Forró LED: Villog, majd az összes LED kikapcsol	A készülék túl forró a gyorsindításhoz vagy más funkciók használatához. / Hagyja lehűlni a készüléket, és helyezze a készüléket hűvösebb környezetbe.

❄️	Hideg LED: Folyamatos	A készülék teljesen üzemképes, de közelít az alsó hőmérsékleti határértékhez. / Hagyja felmelegedni a készüléket.
	Hideg LED: Villog	Az egység túl hideg az indításhoz, csak a zseblámpa áll rendelkezésre ebben az állapotban / Hagyja a készüléket felmelegedni.
	Hideg LED: Villog, majd az összes LED kikapcsol	A készülék túl hideg a gyorsindításhoz vagy más funkciók használatához. / Hagyja felmelegedni a készüléket, és helyezze a készüléket melegebb környezetbe.
	Az indító fény nem megfelelően csatlakoztatott kábelekkel érkezik	A csatlakoztatott akkumulátor teljesítménye 3 volt alatt van/Távolítson el minden terhelést, és próbálja meg még egyszer vagy használja a kézi vezérlés módot.

Műszaki jellemzők

Belső akkumulátor: 137Wh Lítium Ion	12V (bemenet): 12V/5A (14V Max)
Csúcsáramerősség besorolás: 3000A	12V (kimenet): 12V, 15V Max
Működési hőmérséklet: -20°C ... +50°C	Ház védelme: IP65 (w/zárt csatlakozóegység)
Töltési hőmérséklet: 0°C ... +40°C	Hűtés: Természetes keringetés
Tárolási hőmérséklet: -20°C ... +50°C (átlaghőm.)	Méret (H x Sz x M): 31,75 x 20,83 x 3,39 Centiméter
USB (kimenet): 5V, 2.1A	Súly: 6,19 kilogramm (13,65 lb)

NOCO egy (1) évig érvényes garancia

A NOCO cég („NOCO”) garantálja, hogy ez a termék (a „Termék”) az anyagot és kivitelezést tekintve hibáktól mentes marad a vásárlás időpontjától számított egy (1) éven keresztül (a „Garanciális időszak”). A garanciális időszak alatt jelentett hibák esetén a NOCO belátása szerint és NOCO technikai ellenőrző elemzése után kijavítja vagy kicseréli a hibás termékeket. A cserélt részek vagy termékek újak vagy

működőképesek, funkciójukban és teljesítményükben hasonlóak az eredetihez, és az eredeti garanciális időszakból hátramaradt ideig garanciális.

NOCO KÖTELEZETTSÉGE A TOVÁBBIKBAN KIFEJEZETTEN A CSERÉRE VAGY JAVÍTÁSRA KORLÁTOZÓDIK. A TÖRVÉNY ÁLTAL MEGENGEDETT MAXIMÁLIS MÉRTÉKIG NOCO NEM KÖTELEZHETŐ A TERMÉK BÁRMELY VÁSÁRLÓJA VAGY BÁRMELY HARMADIK FÉL ÁLTAL BÁRMINEMŰ RENDKÍVÜLI, KÖZVETETT, MÁSBÓL EREDŐ VAGY PÉLDA NÉLKÜLI KÁRTÉRÍTÉS MEGFIZETÉSÉRE, BELEÉRTVE EGYEBEK MELLETT A TERMÉKNEK TULAJDONÍTOTT ELVESZETT PROFITOT, A KELETKEZETT VAGYONI KÁRT VAGY SZEMÉLYI SÉRÜLÉST, MÉG ABBAN AZ ESETBEN SEM, HA NOCO TUDOTT AZ ILYEN JELLEGŰ KÁROK LEHETŐSÉGÉRŐL. AZ ITT KÖZZÉTETT GARANCIÁK HELYETTESÍTENEK MINDEN MÁS, KIFEJEZETT, MAGÁBAN FOGLALT, TÖRVNYILEG ELŐÍRT VAGY MÁS GARANCIÁT, BELEÉRTVE EGYEBEK MELLETT A BÉNNÉ FOGLALT KERESKEDELMI GARANCIÁT ÉS AZ ADOTT CÉLRA ALKALMAS MEGFELELŐSÉGET, ILLETVE AZOKAT, AMELYEK AZ ÜZLETI TEVÉKENYSÉGBŐL, HASZNÁLTBÓL VAGY KERESKEDELM GYAKORLATBÓL EREDNEK. ABBAN A FELTÉTELEZETT ESETBEN, HA A VONATKOZÓ JOGSZABÁLYOK NEM KIKERÜLHETŐ VAGY MÓDOSÍTHATÓ GARANCIÁKAT, FELTÉTELEKET VAGY KÖTELEZETTSÉGEKET ÍRNAK ELŐ, EZ A BEKEZDÉS ALKALMAZANDÓ AZ ILYEN JOGSZABÁLYOK ÁLTAL MEGENGEDETT LEGNAGYOBB MÉRTÉKIG.

Ez a korlátozott garancia kizárólag a NOCO-tól, vagy NOCO elismert viszonteladójától vagy forgalmazójától vásárolt termék eredeti vásárlójának érdekeit szolgálja, és másnak nem tulajdonítható vagy másra nem átruházható. A garanciális követelés érvényre juttatásához a vásárlónak kötelessége: (1) kérelmezni és beszerezni egy visszáru engedély („RMA”) számot és visszakérni a visszaküldés helyére vonatkozó információt (a „visszaküldés helye”) a NOCO támogatástól a support@no.co e-mail címen keresztül vagy a 1 800 456 6626 telefonszámon; és (2) elküldeni a terméket, beleértve az RMA számot, a nyugtát vagy a hibás termék JVÁ-ának 45%-nak garanciális díját (a „garanciális díj”) (ez csak akkor szükséges, ha nincs meg a nyugta) [az RMA tartalmazza a garanciális díj meghatározott összegét] a visszaküldés helyére. NE KÜLDJE EL A TERMÉKET ANÉLKÜL, HOGY ELŐSZÖR BESZEREZNÉ AZ RMA-T A NOCO TÁMOGATÁSTÓL.

AZ EREDETI VÁSÁRLÓ FELELŐS MINDEN CSOMAGOLÁSÉRT ÉS A TERMÉKEK GARANCIASZERVIZBE JUTTATÁSÁNAK SZÁLLÍTÁSI KÖLTSÉGÉÉRT (AMELYET KÖTELES ELŐRE KIFIZETNI).

A FENTIEK ELLENÉRE, A KORLÁTOZOTT GARANCIA NEM ÉRVÉNYES ÉS NEM VONATKOZIK AZOKRA A TERMÉKEKRE, AMELYEKET: (a) hibásan használtak vagy kezeltek; téves használatnak vagy gondatlan kezelésnek, illetve véletlen balesetnek tettek ki; a NOCO ajánlását

meghaladó extrém feszültségen, hőmérsékleten, ütődéseknek vagy rázkódásnak kitéve tároltak vagy működtettek; (b) nem megfelelően szereltek össze, működtettek vagy tartottak; (c) a NOCO írásos beleegyezése nélkül módosítanak/módosítottak; (d) a NOCO-n kívül más szétszerelt, megváltoztatott vagy javított; (e) a garanciális időszak lejártá után jelentettek hibásnak.

EZ A KORLÁTOZOTT GARANCIA NEM VONATKOZIK AZ ALÁBBI ESETEKRE: (1) a használatból eredő szokásos kopás, (2) szépséghiba, amely nem befolyásolja a funkcionalitást vagy (3) olyan termékek, amelyekről hiányzik a NOCO gyártási száma, vagy azt megváltoztatták vagy olvashatatlanná tették.

A PROBLÉMAMENTES JÓTÁLLÁS FELTÉTELEI

Ezek a feltételek a Termékre kizárólag a Jótállás időtartama alatt vonatkoznak. A gond nélküli jótállás érvényét veszti a jótállás időtartamának lejártát követően (az eltelt időt a készülék sorozatszám alapján számítjuk, ha nem igazolható a vásárlás dátuma), illetve a jelen dokumentumban felsorolt körülmények fennállásától fogva. Juttassa vissza a terméket a megfelelő dokumentációval.

Nyugtával:

1 év: DÍJMENTES. A Vásárlás igazolásával, a jótállás a vásárlás dátumával kezdődik

Nyugta nélkül:

1 év: DÍJMENTES. Vásárlás igazolása NÉLKÜL a jótállás a sorozatszám alapján kerül megállapításra.

A NOCO termékét a következő on-line felületen regisztrálhatja: no.co/register. Amennyiben bármilyen kérdése merülne fel a garanciát vagy a terméket illetően, vegye fel a kapcsolatot a NOCO támogatással (e-mail cím és telefonszám fent) vagy írjon a következő címre: The NOCO Company, 44139 Glenwillow, 30339 Diamond Parkway, 102, Ohio, USA.

NOCO BOOST[®] MAX[™] GB251+



NEBEZPEČÍ

Uživatelská příručka a záruční list



PŘEČTĚTE SI A SNAŽTE SE POROZUMĚT VŠEM INFORMACÍM TÝKAJÍCÍM SE BEZPEČNOSTI PŘEDTÍM, NEŽ ZAČNETE POUŽÍVAT TENTO VÝROBEK. Nedodržení těchto pokynů může mít za následek ÚRAZ ELEKTRICKÝM PROUDEM, VÝBUCH, POŽÁR, což může vyústit ve VÁŽNÉ PORANĚNÍ, SMRT nebo ŠKODÁM NA MAJETKU.



Úraz elektrickým proudem. Výrobek je elektrickým zařízením, které může způsobit šok a vážné poranění. Neodřezávejte napájecí kabely. Neponořujte do vody nebo nenamáčejte.



Výbuch. Nekontrolované, nekompatibilní nebo poškozené akumulátory mohou při použití s tímto výrobkem vybuchnout. Nenechávejte výrobek při používání bez dozoru. Nepokoušejte se rychle nastartovat poničený nebo zmrzlý akumulátor. Používejte výrobek pouze s akumulátory doporučeného napětí. Používejte výrobek v dobře větraných prostorech.



Oheň. Výrobek je elektrickým zařízením, které produkuje teplo a může způsobit popáleniny. Nezakrývejte výrobek. Při používání výrobku nekuřte nebo nepoužívejte žádný zdroj elektrických jisker nebo ohně. Udržujte výrobek mimo dosah hořlavých látek.



Poranění očí. Při používání výrobku používejte ochranu očí. Akumulátory mohou vybuchnout a způsobit vznik odlétávajících částic. Kyselina z akumulátoru může způsobit podráždění očí a kůže. V případě kontaminace očí nebo kůže opláchněte postižené místo čistou tekoucí vodou a okamžitě kontaktujte centrum kontroly otrav.



Výbušné plyny. Práce v blízkosti oloveného akumulátoru je nebezpečná. Během běžného používání vytvářejí akumulátory výbušné plyny. Abyste snížili riziko výbuchu akumulátoru, řiďte se všemi bezpečnostními pokyny a těmi pokyny, které byly vydány výrobcem akumulátoru a výrobcem jakéhokoli zařízení, které je určeno k použití v blízkosti baterie. Prostudujte si varovné štítky umístěné na těchto produktech a na motoru.

Čeština

Více informací a podpory
naleznete na:

www.no.co/support

Důležitá bezpečnostní varování

POZOR

Manuální režim vypíná všechna bezpečnostní opatření. Při nesprávném použití a/nebo při použití v rozporu s naším doporučením může způsobit úraz nebo smrt a zneplatní vaši záruku. Riziko ohně, exploze a popálenin. Nerozebírejte, nemačkejte, nezahřívejte nad 60°C (140°F) nebo nespalujte. Zařízení je určeno pro dočasné venkovní použití a při vlhkých podmínkách by se o něj mělo přiměřeně pečovat.

VAROVÁNÍ

Nepřebíjejte interní baterii. Přečtěte si návod k použití. V blízkosti napájecího zdroje nekuřte, nezapalujte sirky nebo nedělejte jiskry. Interní baterii nabíjejte jen v dobře větraných oblastech a v době, kdy zařízení nepoužíváte.

POZOR

Riziko zranění třetích osob. Nepoužívejte produkt, když jsou napájecí kabel nebo kabely baterie jakkoliv poškozeny. Zařízení není určeno pro používání v komerčních opravách. Když zařízení nepoužíváte, skladujte jej uvnitř. Když není zařízení používáno, nemělo by být skladováno nebo ponecháno venku.

Kalifornský návrh 65. Akumulátorové sloupky, terminály a související příslušenství obsahují chemikálie včetně olova. O těchto materiálech je ve státě Kalifornie známo, že způsobují rakovinu, vrozené vady a ostatní poruchy reprodukce. **Osobní opatření.** Používejte výrobek pouze k tomu, k čemu byl vyroben. Někdo by se měl pohybovat v dosahu vašeho hlasu nebo dostatečně blízko na to, aby vám přišel v případě pohotovosti na pomoc. Pro případ kontaminace kyselinou z akumulátoru mějte vždy po ruce zásobu čisté vody a mýdlo. Při práci v blízkosti akumulátoru noste kompletní ochranu očí a ochranný oděv. Vždy po manipulaci s akumulátorem a souvisejícími materiály si umyjte ruce. Nemanipulujte při práci s akumulátorem a ani nenoste kovové objekty včetně: nářadí, hodinek a šperků. Pokud by kov spadl na baterii, může způsobit jiskření nebo zkrat, který může mít za následek poranění elektrickým proudem, požár, výbuch, který může způsobit zranění, smrt nebo škodu na majetku. **Nezletilí.** Pokud byl tento výrobek „Kupujícím“ pořízen pro použití nezletilou osobou, kupující dospělý souhlasí s tím, že nezletilému před použitím akumulátoru poskytne podrobné pokyny. Pokud tak neučiní, nese výhradní odpovědnost „kupujícího“, který souhlasí s tím, že odškodní společnost NOCO za jakékoliv neúmyslné použití nebo zneužití výrobku nezletilou osobou. **Nebezpečí udušení.** Příslušenství může pro děti představovat nebezpečí udušení. Nenechávejte děti s výrobkem nebo jakýmkoli příslušenstvím bez dozoru. Tento výrobek není hračka. **Manipulace.** Manipulujte s výrobkem šetrně. Výrobek může být poškozen nebo může dojít k jeho narušení. Nepoužívejte poškozený výrobek včetně, ale ne omezeno na, prasklin na krytu nebo poničených kabelů. Nepoužívejte výrobek s poškozeným napájecím kabelem. Vlhkost a kapaliny mohou

poškodit výrobek. Nemanipulujte s výrobkem nebo veškerými elektrickými součástkami blízko jakékoli kapaliny. Skladujte a používejte výrobek na suchých místech. Nepoužívejte výrobek, pokud dojde k jeho namočení. Pokud je výrobek právě používán a dojde k jeho namočení, odpojte jej od akumulátoru a okamžitě přestaňte výrobek používat. Nevypojujte výrobek vytahováním kabelů. Úpravy. Nepokoušejte se změnit, upravovat nebo opravovat žádnou část tohoto výrobku. Rozebírání výrobku může způsobit poranění, smrt nebo škodu na majetku. Pokud dojde k poškození výrobku, pokud špatně funguje nebo přijde do kontaktu s jakoukoli tekutinou, přerušte používání a kontaktujte společnost NOCO. Jakékoli úpravy výrobku zruší vaši záruku. **Příslušenství.** Tento výrobek je schválen pouze pro použití s příslušenstvím od společnosti NOCO. Společnost NOCO nezodpovídá za bezpečnost uživatele nebo poškození výrobku v případě použití jiných příslušenství než těch, které byly schváleny společností NOCO. **Umístění.** Nedovolte, aby kyselina z baterie přišla do kontaktu s výrobkem. Nepoužívejte výrobek v uzavřených prostorách nebo prostorách s omezeným větráním. Nenasazujte baterii na vrchní část výrobku. Umístěte kabelové vodiče tak, aby nedošlo k náhodnému poškození pohybem částí vozidla (včetně částí kapoty a dveří), přesouváním částí motoru (včetně lopatek ventilátoru, řemenů a řemenic) nebo toho, co by mohlo znamenat nebezpečí, které by mohlo způsobit zranění nebo smrt. **Provozní teplota.** Tento výrobek je navržen pro práci při teplotě prostředí mezi -20o C a 50o C. Nepoužívejte jej mimo toto teplotní rozhraní. Nepokoušejte se nouzově nastartovat zmrzlý akumulátor. Pokud se akumulátor začne nadměrně zahřívat, okamžitě přestaňte používat výrobek. **Skladování.** Nepoužívejte nebo neskladujte váš výrobek v prostorách s vysokými koncentracemi prachu nebo látek přenášených vzduchem. Skladujte váš výrobek na plochých, bezpečných površích, aby byl zajištěn před pádem. Skladujte váš výrobek na suchém místě. Skladovací teplota je zhruba -20 °C - 50 °C (průměrná teplota 0 ° C až +25 ° C). Nikdy za žádných okolností nepřekračujte hodnotu 80°C. **Kompatibilita.** Tento produkt je kompatibilní pouze s 12V bateriovými systémy na bázi kyseliny olovnaté. Nepokoušejte se používat tento produkt s jiným typem baterie. Startování baterií s jinou chemií může způsobit zranění, smrt nebo poškození majetku. Před pokusem o nastartování baterie kontaktujte výrobce. Nepokoušejte se nastartovat baterii, pokud si nejste jisti chemií či napětím dané baterie. **Baterie.** Vestavěná lithium-iontová baterie by měla být nahrazena pouze společností NOCO a musí být recyklována nebo likvidována odděleně od domácího odpadu. Nepokoušejte se sami vyměnit baterii a nepoužívejte poškozenou nebo netěsnou lithium-iontovou baterii. Nikdy nevhazujte baterii do odpadků v domácnosti. Likvidace baterií v komunálním odpadu je podle státních a federálních zákonů a předpisů o životním prostředí nezákonná. Vždy odnášejte použité baterie do místního centra pro recyklaci baterií. Pokud je baterie výrobku nadměrně horká, vylučuje nepříjemný pach, je zdeformovaná, pořezaná nebo vykazuje abnormální nález, okamžitě zastavte veškeré používání a kontaktujte společnost NOCO. **Nabíjení baterie.** Nabíjejte produkt s dodávanou 12V nabíječkou do auta nebo nabíječkou XGC4. Nepoužívejte generické adaptéry či adaptéry třetích stran, neboť mohou představovat závažné elektrické riziko, které může způsobit zranění osobě, zařízení či majetku. Používání poškozených kabelů nebo nabíječek nebo nabíjení ve vlhkém prostředí může způsobit elektrický šok. Společnost NOCO není odpovědná za bezpečnost uživatelů, škody na zařízení nebo škody na majetku, pokud jsou používána příslušenství nebo

zdroje energie, které nejsou schválené společností NOCO. Při používání nabíječky XGC4 se ujistěte, že je zástrčka střídavého proudu zcela zastrčena do adaptéru předtím, než jej vložíte do zásuvky. Adaptér se může při běžném používání zahřát a dlouhý kontakt s kůží může způsobit tělesné zranění. Při používání adaptéru vždy kolem něj zajistěte dostatečnou ventilaci. Pro zajištění maximální životnosti baterie se vyhněte přebíjení po dobu delší než jeden týden. Přebíjení může zkrátit životnost baterie. V průběhu času se může nepoužívaný produkt vybit a před dalším použitím se tak musí dobít. Pokud produkt nepoužíváte, odpojte jej od zdrojů energie. Používejte produkt pouze pro uvedené účely.

Medicínská zařízení. Výrobek může vyzařovat elektromagnetická pole. Výrobek obsahuje magnetické součásti, které mohou zasahovat do funkce kardiostimulátorů, defibrilátorů nebo jiných lékařských zařízení. Tato elektromagnetická pole mohou zasahovat do funkce kardiostimulátorů nebo jiných lékařských zařízení. Vlastníte-li jakékoli lékařské zařízení včetně kardiostimulátorů, konzultujte použití výrobku se svým lékařem. Pokud máte podezření, že výrobek zasahuje do funkce medicínského zařízení, přestaňte okamžitě výrobek používat a okamžitě se poradte se svým lékařem. **Zdravotní stav.** Pokud se nacházíte ve zdravotním stavu, u kterého máte podezření, že by mohl být zasažen používáním výrobku, včetně ale ne omezeno na: záchvaty, výpadky, oční stíny nebo bolesti hlavy, obraťte se na svého lékaře před použitím produktu. Používání integrované vysoce výkonné baterky zahrnuje nebezpečí citlivosti na světlo. Používání světla v režimu Strobe může u osob s fotosenzitivní epilepsií způsobit záchvaty, což může vést k vážnému zranění nebo smrti. **Světlo.** Přímé hledění přímo do světla baterky může vést k trvalému poškození zraku. Výrobek je vybaven vysoce výkonnou přednastavenou LED lampou, která vysílá silný paprsek na nejvyšší úrovni. **Čištění.** Před každou údržbou nebo čištěním vypněte zařízení. Pokud je výrobek v kontaktu s kapalinou nebo jiným typem kontaminantu, ihned jej očistěte a usušte. Používejte měkkou látku, která nepouští vlákna (mikrovlákna). Zabraňte vniknutí vlhkosti do otvorů. **Prostředí s rizikem výbuchu.** Všimněte si všech varování a pokynů. Nepoužívejte výrobek v žádném prostředí s potenciálně výbušnou atmosférou, včetně oblastí s palivem nebo oblastí, které obsahují chemikálie nebo částice, jako jsou zrna, prach nebo prach z různých kovů. **Aktivity s vážným důsledkem.** Tento výrobek není určen pro použití tam, kde selhání výrobku může vést k poranění, smrti nebo vážnému poškození životního prostředí. **Rušivý vliv rádiových vln.** Výrobek je navržen, zkoušen a vyroben tak, aby vyhovoval předpisům upravujícím emise vysokofrekvenčních kmitočtů. Takové emise z výrobku mohou negativně ovlivnit provoz jiných elektronických zařízení a způsobit jejich poruchu. **Číslo modelu: GB251** Toto zařízení vyhovuje části 15 pravidel FCC. Provoz podléhá následujícím dvěma podmínkám: (1) toto zařízení nesmí způsobovat škodlivé rušení a (2) toto zařízení musí být schopno akceptovat jakákoli přijatá rušení, včetně rušení, která mohou způsobit nežádoucí provoz. **POZNÁMKA:** Toto zařízení bylo testováno a bylo zjištěno, že podle části 15 pravidel FCC splňuje limity pro digitální zařízení třídy A. Tyto limity jsou navrženy tak, aby poskytovaly přiměřenou ochranu proti škodlivému rušení při provozu zařízení v komerčním prostředí. Toto zařízení generuje, používá a může vyzařovat vysokofrekvenční energii a pokud není instalováno a používáno v souladu s návodem k použití, může způsobit škodlivé rušení rádiové komunikace. Provoz tohoto zařízení v obytné zóně pravděpodobně způsobí škodlivé rušení, v takovém případě bude uživatel muset opravit rušení na vlastní náklady.

Jak zařízení používat

Krok 1: Nabíjení zařízení GB251.

GB251 se dodává částečně nabitý již z výroby a před použitím se musí zcela dobít. Připojte GB251 pomocí dodávané 12V nabíječky do auta nebo nabíječky XGC4 do vstupního 12V portu. Čas pro nabití GB251 se bude lišit podle úrovně vybití a použitého zdroje energie. Skutečné výsledky se mohou lišit v závislosti na stavu baterie a úrovni vybití.

Při dobíjení je úroveň nabíjení interní baterie indikována LED indikátory nabíjení. LED diody začnou pomalu pulzovat na „Zapnuto“ a „Vypnuto“ a vytvoří pevný sloupec, dokud nebudou zapnuty všechny čtyři LED diody nabíjení. Po úplném nabití baterie bude zelená 100% LED pevná a LED diody nabíjení 25%, 50% a 75% se vypnou. Jednou za čas bude zelená LED 100% dioda vydávat pulsující světlo, které indikuje, že dochází k udržovacímu nabíjení.

Krok 2: Připojte zařízení k akumulátoru

Pečlivě si přečtěte a porozumějte příručce k vozidlu, abyste zjistili specifická preventivní opatření a doporučené metody startování vozidla. Ujistěte se, že určíte napětí a chemii baterie pomocí příručky k baterii předtím, než použijete tento produkt. GB251 je určeno pouze pro startování 24V bateriových systémů na bázi kyseliny olovnaté. Před připojením baterie ověřte, že máte 24V bateriový systém na bázi kyseliny olovnaté. GB251 není vhodné pro jiné typy baterií. Identifikujte správnou polaritu konektorů baterie. Konektor s kladným nábojem je označen těmito písmeny či symboly (POS, P, +). Konektor se záporným nábojem je označen těmito písmeny či symboly (NEG, N, -). Neprovádějte žádná spojení s karburátorem, palivovým potrubím nebo tenkými listovými kovovými částmi. Pokyny níže jsou určeny pro záporné uzemnění (nejčastější). Má-li vaše vozidlo kladné uzemnění (velmi neobvyklé), podívejte se do příručky pro správný způsob startování vozidla.

Čas dobíjení:

5hr

Výkon nabíječky:

56W

Stav vnitřní baterie



25% 50% 75% 100%

1.) Připojte kladnou (červenou) svorku baterie na kladnou (POS, P, +) elektrodu a zápornou (černou) svorku baterie na zápornou (NEG, N, -) elektrodu nebo podvozek vozidla.

Krok 3: **Provedení nouzového startu.**

1.) Ujistěte se, zda jsou před pokusem o nouzový start vozidla veškerá zařízení způsobující výkonové zatížení vozidla (přední světla, rádio, klimatizace, atd.) vypnutá.

2.) Stiskněte tlačítko napájení, abyste začali se startováním, a všechny LED diody jednou bliknou. Jste-li správně připojeni k baterii, bílá LED dioda se rozsvítí a LED diody značící nabíjení baterie budou blikat. Po detekci baterie se spustí 60s odpočet.

3.) Pokuste se nastartovat vozidlo. Většina vozidel bude nastartována okamžitě. Některá vozidla budou možná vyžadovat, aby bylo zařízení GB251 zapojené až do 30 sekund před nastartováním vozidla. Pokud nenastartuje vůz hned, čekejte 20-30 sekund a zkuste to znovu. Nepokoušejte se o více než pět (5) nouzových startů akumulátoru během doby patnácti (15) minut. Před pokusem o opětovný nouzový start vozidla nechte zařízení GB251 odpočívat patnáct (15) minut.

4.) Jakmile se vám podařilo nastartovat vozidlo, odpojte svorky pro akumulátor a odstraňte zařízení GB251.

60-sekundový odpočet.

60-sekundový odpočet se spustí, jakmile bude detekována baterie. Po skončení 60 sekund se ukončí funkce nouzového startu. Boost LED dioda zhasne a LED diody interní baterie zobrazí aktuální stav nabití jednotky. Pro resetování funkce nouzového startu stiskněte tlačítko napájení, abyste jednotku vypnuli. Znovu stiskněte tlačítko napájení pro zapnutí jednotky a opětovné spuštění funkce nouzového startu.

POZOR.

60-SEKUNDOVÝ ODPOČET JE PŘI POUŽÍVÁNÍ RUČNÍHO OVLÁDÁNÍ VYPNUTÝ. ENERGIE BUDE DODÁVÁNA PO CELOU DOBU AKTIVACE RUČNÍHO OVLÁDÁNÍ. PRO MAXIMALIZACI POČTU NOUZOVÝCH STARTŮ JE DOPORUČENO VYPNOUT JEDNOTKU BOOST, JAKMILE VOZIDLO NASTARTUJE.

Nizkonapětové baterie a ruční přepínání

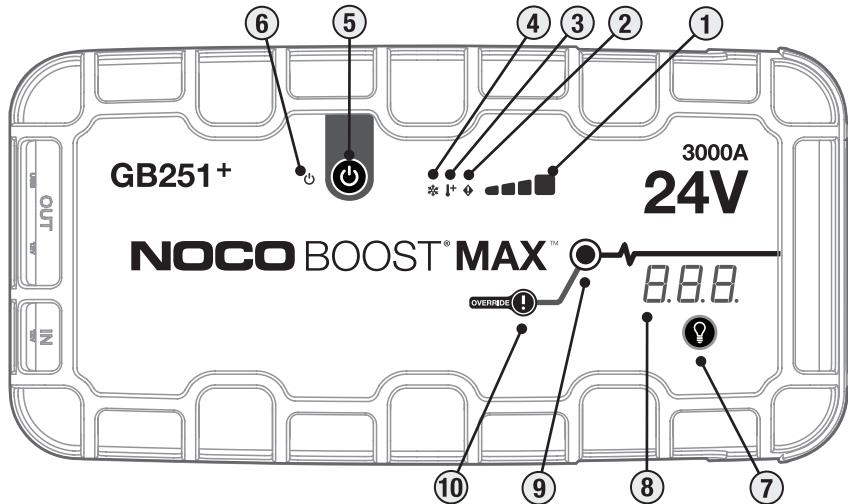
GB251 je navržen ke startování 24V bateriových systémů na bázi kyseliny olovnaté až do 2V. Je-li vaše baterie pod 2V, nabíjecí LED dioda bude "vypnuta". To je indikace toho, že GB251 nemůže detekovat baterii. Potřebujete-li nastartovat baterii s napětím nižším než 2V, můžete použít manuální ovládání, které vám umožní vynutit "zapnutí" startovací funkce. Je-li napětí baterie pod 2V, nabíjecí dioda bude vypnutá a voltmetr nezobrazí napětí.

POZOR.

POUŽÍVEJTE TENTO REŽIM S NÁLEŽITOU PÉČÍ. TENTO REŽIM JE POUZE PRO 24V BATERIOVÉ SYSTÉMY NA BÁZI KYSELINY OLOVNATÉ. JAK ODOLNOST PROTI JISKRÁM, TAK OCHRANA PROTI ZÁMĚNĚ POLARITY JSOU VYPNUTY. PŘED POUŽITÍM TOHOTO REŽIMU DÁVEJTE POZOR NA POLARITU BATERIE. NEDOVOLTE, ABY SE DOTKLY ČI SPOJILY Kladné a záporné svorky, protože by produkt mohl jiskřit. TENTO REŽIM POUŽÍVÁ VELMI VYSOKÉHO PROUDU (AŽ 3000 AMPÉR), KTERÝ MŮŽE ZPŮSOBIT JISKRY A VYSOKOU TEPLOTU, POKUD NENÍ SPRÁVNĚ POUŽÍVÁN. POKUD SI NEJSTE JISTI POUŽITÍM TOHOTO REŽIMU, NEPOKOUŠEJTE SE O TO A VYHLEDEJTE PROFESIONÁLNÍ POMOC.

Napájení vašich USB a 12V zařízení.

GB251 má (2) výstupní USB porty a 12V výstupní port (12V AUX/zásuvka zapalovače). Připojte jakékoliv standardní USB zařízení nebo 12V zařízení (až do 15A) a "zapněte" GB251 k odstartování nabíjení svých zařízení.



Rozhraní

1.) Stav vnitřní baterie Indikuje stav nabití vnitřní baterie.

2.) Chybová kontrolka LED Svítí červeně, pokud je detekována obrácená polarita, nebo bliká „zapnuto“ a „vypnuto“ v různých sekvencích (od 1 do 6 bliknutí), aby se vyjádřily chybové podmínky.

3.) Horká LED svítí červeně; jednotka je plně funkční, ale blíží se k horní hranici teploty. Bliká červeně; jednotka je příliš horká na to, aby nastartovala, v tomto stavu je k dispozici pouze svítilna.

4.) Studená LED svítí modře; jednotka je plně funkční, ale blíží se nižšímu teplotnímu limitu. Bliká modře; jednotka je příliš studená na to, aby nastartovala, v tomto stavu je k dispozici pouze svítilna.

5.) Stisknutí Spínače pro vypnutí a zapnutí jednotky.

6.) Když je jednotka zapnutá, LED Kontrolka Napájení se rozsvítí bíle. Po 60 sekundovém odpočítávání časového limitu se rozsvítí oranžově, dokud nebudou svorky vyjmuty z autobaterie nebo dokud nebude GB251 vypnut a znovu zapnut.

7.) Tlačítko světelného režimu Přepíná ultra-jasně LED světlo v 7 světelných režimech: 100% > 50% > 10% > SOS > Blink > Strobe > Vypnuto

8. Voltmetr / odpočítávací časovač Vestavěný voltmetr odečítá napětí baterie akumulátoru pro lepší diagnostiku a odstraňování problémů. Voltmetr automaticky načte napětí akumulátoru (nebo akumulátorového systému) při připojení svorek akumulátoru, i když jednotka je vypnutá. Voltmetr bude číst napětí mezi ~ 3V a ~ 30V. Pokud je připojená baterie s nižším napětím než 3V, nic se nezobrazí. Je-li napětí tak nízké, je pravděpodobné, že je akumulátor zatížený, například zapnutými předními světly nebo puštěným AC ventilátorem, které by měly být před pokusem o nastartování vozidla vypnuty. Když je jednotka zapnutá a po detekci baterie, voltmetr zobrazí odpočítávání 60sekundového časového limitu.

9.) LED kontrolka Boost Se rozsvítí bíle v případě, když je aktivní režim Boost. Pokud je jednotka správně připojena k akumulátoru, zařízení GB251 automaticky rozpozná akumulátor a přejde do režimu Boost (Když je aktivní funkce Manuální přepínání, kontrolka LED bliká bíle).

10.) Tlačítko funkce Manuální přepínání Pro spuštění jej stiskněte a podržte tři (3) sekundy. **VAROVÁNÍ: Vyřadí z funkce ochranné zabezpečení a ručně přepne režim Boost do polohy „Zapnuto“.** Pouze pro použití, když je napětí baterie příliš nízké na to, aby bylo detekováno.

Řešení potíží

	Chyba	Důvod/Řešení
⚠	Chyba kontrolky LED: Červená	Obrácená polarita/Otočte zapojení akumulátoru.
	Chyba kontrolky LED: Blikající červená w/ Kabely správně zapojené	Detekován zkratovaný obvod na svorkách baterie. / Nechte baterii zkontrolovat odborníkem.
	Jedno (1) bliknutí	Detekován zkratovaný obvod na svorkách baterie. / Odeberte všechna spojení a znovu připojte svorky k baterii.
	Dvojitý (2) blesk	Vysoké napětí zjištěno na svorkách (GB251 je připojen k napěťovému systému vyššímu než 24 V).
	Čtyřnásobný (4) blesk	Chyba časového limitu nabíjení (tj. GB251 je hromadně nabíjena příliš dlouho)
	Pětinásobný (5) blesk	XGC OUT nad proudem (tj. Z portu XGC OUT je odebíráno více než 15 ampérů)
	Blesk Sextuple (6)	Porucha systému BMS (systém správy baterie). (Napájení GB251 „vypněte“ a „zapněte“, abyste jej vymazali. Pokud problém přetrvává, kontaktujte zákaznickou podporu)
!+	Kontrolka horka LED: Svítí plným světlem	Jednotka je plně provozuschopná, ale blíží se k horní teplotní hranici. / Nechejte jednotku vychladnout.
	Kontrolka horka LED: Bliká	Jednotka je příliš horká na to, aby se rozběhla, v tomto stavu je k dispozici pouze svítlna. / Nechejte jednotku vychladnout.
	Kontrolka horka LED: Bliká a poté zhasnou všechny kontrolky LED	Jednotka je příliš horká na to, aby mohla provést nouzový start, nebo aby bylo možno použít jiné funkce. / Nechte přístroj vychladnout a přeneste jednotku do chladnějšího prostředí.

	Chladová kontrolka LED: Svítí plným světlem	Jednotka je plně provozuschopná, ale blíží se k dolní teplotní hranici. / Nechejte jednotku zahřát.
❄	Chladová kontrolka LED: Bliká	Jednotka je příliš studená na to, aby nastartovala, v tomto stavu je k dispozici pouze baterka / Nechte jednotku zahřát.
	Chladová kontrolka LED: Bliká a poté všechny kontrolky LED zhasnou	Jednotka je příliš studená na to, aby mohlo být provedeno nouzové nastartování nebo použity jiné funkce. / Nechte jednotku zahřát a přeneste jednotku do teplejšího prostředí.
	Světlo režimu Boost se nerozsvítí w/ Kabely správně zapojené	Zapojená baterie má napětí pod 3 volty/Odstraňte veškerou zátěž a zkuste to znovu nebo použijte Režim ručního přepínání.

Technické specifikace

Vnitřní baterie: 137Wh Lithium Ion	12V (Vstup): 12V/5A (14V Max)
Hodnota špičkového proudu: 3000A	12V (Výstup): 12V, 15V Max
Provozní teplota: -20°C až +50°C	Ochrana pláště: IP65 (w/Zavřené porty)
Teplota nabíjení: 0°C až +40°C	Chlazení: Přirozená konvekce
Teplota skladování: -20°C až +50°C (Prům. tepl.)	Rozměry (L x W x H): 31,75 x 20,83 x 3,39 Centimetry
USB (Výstup): 5V, 2,1A	Hmotnost: 6,19 kilogramů (13,65 lb)

NOCO Omezená záruka na jeden (1) rok

Společnost NOCO Company ("NOCO") zaručuje, že tento výrobek („Výrobek“) bude bez závad, co se materiálu i provedení týče, po dobu jednoho (1) roku od data zakoupení („Záruční doba“). V případě závad hlášených během záruční doby společnost NOCO podle svého uvážení a na základě analýzy technické podpory společnosti NOCO buď opraví nebo nahradí vadné výrobky. Náhradní díly a výrobky budou nové nebo provozně použitelné, funkční a výkonově srovnatelné s originální součástí a se zárukou na zbývající část původního záručního období.

ZODPOVĚDNOST SPOLEČNOSTI NOCO JE PODLE TÉTO SMLOUVY OMEZENÁ VÝHRADNĚ NA VÝMĚNU NEBO OPRAVU. V MAXIMÁLNÍM ROZSAHU POVOLENÉM ZÁKONEM NENESE SPOLEČNOST NOCO ŽÁDNOU ZODPOVĚDNOST VŮČI KUPUJÍCÍMU PRODUKTU NEBO JAKÉKOLI TŘETÍ STRANĚ ZA ŽÁDNÉ SPECIÁLNÍ, NEPŘÍMÉ, NÁSLEDNÉ NEBO EXEMPLÁRNÍ ŠKODY VČETNĚ, ALE BEZ OMEZENÍ NA ZTRÁTU ZISKŮ, POŠKOZENÍ MAJETKU NEBO OSOBNÍ ZRANĚNÍ JAKÝMKOLI ZPŮSOBEM SOUVISEJÍCÍM S VÝROBKEM, ZPŮSOBENÝM JAKKOLI, I KDYBY SPOLEČNOST NOCO MĚLA POVĚDOMÍ O MOŽNOSTI TAKOVÝCH POŠKOZENÍ. ZÁRUKY ZDE UVEDENÉ JSOU SOUČÁSTÍ VŠECH DALŠÍCH ZÁRUK, VÝSLOVNÝCH, PŘEDPOKLÁDANÝCH, ZÁKONNÝCH NEBO JINÝCH, VČETNĚ, BEZ OMEZENÍ, PŘEDPOKLÁDANÝCH ZÁRUK OBCHODOVATELNOSTI A VHODNOSTI PRO KONKRETNÍ ÚČEL A TĚCH VYPLÝVAJÍCÍCH Z POUŽÍVÁNÍ OBCHODU, POUŽÍVÁNÍ NEBO OBCHODNÍ PRAXE. V PŘÍPADĚ, ŽE JAKÉKOLI ZÁKONY UKLÁDAJÍ ZÁRUKY, PODMÍNKY NEBO ZÁVAZKY, KTERÉ NEMOHOU BÝT VYLOUČENY NEBO UPRAVENY, BUDE TENTO ODSTAVEC PLATIT V NEJVĚTŠÍM ROZSAHU POVOLENÉM TAKOVÝMI ZÁKONY.

Tato omezená záruka je poskytována výhradně ve prospěch původního kupujícího výrobku od společnosti NOCO nebo od prodejce nebo distributora schváleného společností NOCO a není přiřazená ani přenositelná. Pro uplatnění nároku na záruku musí kupující: (1) požádat Podporu společnosti NOCO o číslo podpory pro vrácení zboží („RMA“) a informace o místě vrácení (místo návratu) prostřednictvím e-mailu na adresu support@no.co nebo telefonicky na telefonním čísle 1 800 456 6626; a (2) zaslat produkt včetně čísla RMA, účtenky nebo záručního poplatku (poplatek je požadovaný pouze v případě, že zákazník neposkytne účtenku), která činí 45% MSRP z vadného produktu („Záruční poplatek“) [RMA bude obsahovat příslušnou částku záručního poplatku] na místo návratu. **NEODESÍLEJTE VÝROBEK BEZ PŘEDCHOZÍHO ZÍSKÁNÍ ČÍSLA RMA OD PODPORY SPOLEČNOSTI NOCO.**

PŮVODNÍ KUPUJÍCÍ JE ZODPOVĚDNÝ (A MUSÍ JE PŘEDEM ZAPLATIT) ZA VŠECHNY NÁKLADY NA BALENÍ A DOPRAVU PRO DOPRAVU VÝROBKŮ K ZÁRUČNÍ OPRAVĚ.

NEHLEDĚ NA VÝŠE UVEDENÉ JE TATO OMEZENÁ ZÁRUKA ZRUŠENÁ A NEVZTAHUJE SE NA VÝROBKY, KTERÉ: (a) jsou zneužitě, špatně ovládané, vystavené zneužití nebo nedbalému zacházení, vystavené nehodě, nesprávně skladované nebo používané za podmínek vysokého napětí, teploty, šoku nebo vibrace mimo doporučení společnosti NOCO pro bezpečné a efektivní použití; (b) nesprávně nainstalované, používané nebo udržované; (c) jsou/byly modifikovány bez výlučného písemného souhlasu společnosti NOCO; (d) byly rozebírány, pozměňovány nebo opravovány někým jiným než společností NOCO; (e) jejichž vady byly hlášeny až po Záruční době.

TATO OMEZENÁ ZÁRUKA NEPOKRÝVÁ: (1) běžné opotřebení; (2) kosmetické poškození, které nemá vliv na funkci; nebo (3) Výrobky, u nichž chybí, je pozměněno nebo poškozeno sériové číslo společnosti NOCO.

PODMÍNKY BEZPROBLÉMOVÉ ZÁRUKY

Tyto podmínky platí jen pro produkty v záruční lhůtě. Bezproblémová záruka zaniká uplynutím doby od data nákupu (uplynutí doby od data sériového čísla, není-li důkaz o nákupu) nebo za podmínek zmíněných v tomto dokumentu výše. Produkt vraťte s náležitou dokumentací.

S dokladem o nákupu:

1 rok: BEZ poplatku. S dokladem o nákupu. Záruční lhůta začíná dnem nákupu.

BEZ dokladu o nákupu:

1 rok: BEZ poplatku. BEZ dokladu o nákupu. Záruční lhůta začíná datem sériového čísla.

Váš výrobek společnosti NOCO si můžete zaregistrovat online na webu: no.co/register. Máte-li nějaké otázky ohledně vaší záruky nebo výrobku, kontaktujte Podporu společnosti NOCO (e-mail a telefonní číslo naleznete výše) nebo pište na adresu: The NOCO Company, ulice: 30339 Diamond Parkway, #102, Glenwillow, OH 44139 USA.

NOCO BOOST[®] MAX[™] GB251+



NEBEZPEČENSTVO

Používateľská príručka a záručné informácie



PRED POUŽITÍM TOHTO VÝROBKU SI PREČÍTAJTE VŠETKY BEZPEČNOSTNÉ INFORMÁCIE A POROZUMEJTE IM. Nedodržanie týchto bezpečnostných pokynov môže mať za následok ZASAH ELEKTRICKÝM PRÚDOM, VÝBUCH a POŽIAR, ktoré môžu vyústiť do VÁŽNEHO ZRANENIA, SMRTI alebo ŠKODY NA MAJETKU.



Zásah elektrickým prúdom. Výrobok je elektrické zariadenie, ktoré môže spôsobiť zásah elektrickým prúdom a spôsobiť vážne zranenie. Neodrezávajte elektrické káble. Neponárajte zariadenie do vody ani ho nezamokrite.



Výbuch. Nesledované, nekompatibilné alebo poškodené batérie môžu pri používaní s výrobkom vybuchnúť. Počas používania výrobku ho nenechávajte bez dozoru. Nesnažte sa o strmý štart poškodenej alebo zamrznutej batérie. Výrobok používajte výlučne s batériami s odporúčaným napätím. Výrobok používajú v dobre vetraných oblastiach.



Požiar. Výrobok je elektrické zariadenia, ktoré vydáva teplo a dokáže spôsobiť popáleniny. Výrobok nezakrývajte. Pri používaní výrobku nefajčíte a nepoužívajte zdroj elektrických iskier alebo ohňa. Výrobok uchovávajte mimo dosahu horľavých materiálov.



Zranenie očí. Pri používaní výrobku noste chrániče očí. Batérie môžu vybuchnúť, pričom môže dôjsť k vyleteniu úlomkov. Elektrolyt môže spôsobiť podráždenie očí a pokožky. V prípade zasiahnutia očí alebo pokožky opláchnite zasiahnutú oblasť tečúcou čistou vodou a okamžite kontaktujte centrum pre otravy.



Výbušné plyny. Práca v blízkosti olova je nebezpečná. Batérie vytvárajú počas bežnej prevádzky výbušné plyny. Aby ste znížili riziko výbuchu batérie, dodržiavajte všetky bezpečnostné pokyny, pokyny stanovené výrobcom batérie a výrobcom každého zariadenia, ktoré sa má používať v blízkosti batérie. Skontrolujte upozorňujúce značky na týchto výrobkoch a na motore.

Slovenčina

Pre ďalšie informácie a podporu navštívte:

www.no.co/support

Dôležité bezpečnostné výstrahy

UPOZORNENIE

V manuálnom režime sú deaktivované všetky bezpečnostné prvky. Ak pri použití zariadenia postupujete nesprávne (resp. proti odporúčaniam výrobcu), znamená to stratu záruky. Navyše to predstavuje riziko vzniku požiaru, výbuchu, popálenín a iných zranení, či dokonca smrti. Zariadenie nerozoberajte, nedrhte, nezohrievajte na teplotu vyššiu ako 60°C (140°F) a nespálujte. Zariadenie je určené na dočasné vonkajšie použitie a v prípade vlhkých podmienok je nutné postupovať opatrne.

VAROVANIE

Neprebíjajte vnútornú batériu. Viac sa dozviete v Návode na použitie. V blízkosti napájacieho zdroja nefajčite, nezapaľujte zápalky ani nevytvárajte iskry. Ak sa zariadenie nepoužíva, vnútornú batériu dobíjajte iba v dobre odvetrávanom priestore.

UPOZORNENIE

Riziko poranenia osôb. Výrobok nepoužívajte, ak sú poškodené napájacie káble či káble batérie. Toto zariadenie nie je určené na použitie v komerčných opravárskych zariadeniach. Je potrebné skladovať ho v suchých vnútorných priestoroch a ak sa nepoužíva, neodporúča sa nechávať ho vo vonkajších priestoroch.

Návrh 65. Výbežky, kontakty a súvisiace príslušenstvo batérií obsahujú chemikálie vrátane olova. Tieto materiály s v štáte Kalifornia známe tým, že spôsobujú rakovinu, vrodené chyby a iné reprodukčné poškodenie. **Osobné preventívne opatrenia.** Výrobok používajte len v súlade s určením. V dosahu vášho hlasu alebo vo vašej blízkosti by mala byť nejaká osoba, ktorá by vám v prípade núdze prišla na pomoc. V blízkosti majte pripravenú čistú vodu a mydlo pre prípad znečistenia elektrolytom. Pri práci v blízkosti batérie noste kompletnú ochranu očí a ochranný odev. Po manipulácii s batériami a súvisiacim materiálom si vždy umyte ruky. Pri práci s batériami nemanipulujte s kovovými predmetmi, ako sú nástroje, hodinky či šperky, ani ich nemajte na sebe. Ak do batérie spadne kov, môže dôjsť k iskreniu alebo ku skratu, čo môže mať za následok zásah elektrickým prúdom, požiar, výbuch, ktoré môžu vyústiť do zranenia, smrti alebo škody na majetku. **Nepľnoleté osoby.** Ak „Kupujúci“ plánuje, že výrobok budú používať nepľnoleté osoby, kupujúci dospelý súhlasí, že pred použitím poskytne každej nepľnoletej osobe podrobné pokyny a výstrahy. Nedodržanie tejto požiadavky je výlučnou zodpovednosťou „Kupujúceho“, ktorý súhlasí s tým, že odškodní spoločnosť NOCO za každé použitie v rozpore s určením alebo zneužitie nepľnoletými osobami. **Nebezpečenstvo prehltnutia.** Príslušenstvo môže pre deti predstavovať nebezpečenstvo prehltnutia. Nenechávajte deti bez dozoru so žiadnym výrobkom ani príslušenstvom. Výrobok nie je hračka. **Manipulácia.** S výrobkom manipulujte opatrne. Výrobok sa pri náraze môže poškodiť. Nepoužívajte poškodený

výrobok vrátane (nielen) výrobku, ktorý má prasknutý kryt alebo poškodené káble. Nepoužívajte výrobok s poškodeným napájacím káblom. Vlhkosť a kvapaliny môžu výrobok poškodiť. Nemanipulujte s výrobkom ani elektrickými dielmi v blízkosti kvapalín. Výrobok skladujte a používajte na suchých miestach. Ak sa výrobok zamokrí, nepoužívajte ho. Ak sa už výrobok používa a dôjde k jeho zamokreniu, odpojte ho od batérie a okamžite ho prestaňte používať. Neodpájajte výrobok ťahaním za káble. Modifikácie. Nesnažte sa upraviť, modifikovať ani opravovať akúkoľvek súčasť výrobku. Pri demontáži výrobku môže dôjsť k zraneniu, smrti alebo škode na majetku. Ak sa výrobok poškodí, zlyhá alebo príde do kontaktu s akoukoľvek kvapalinou, prestaňte ho používať a kontaktujte spoločnosť NOCO. Akákoľvek modifikácia výrobku spôsobí stratu záruky. **Príslušenstvo.** Tento výrobok je schválený na používanie výlučne s príslušenstvom NOCO. Spoločnosť NOCO nie je zodpovedná za bezpečnosť používateľa ani jeho škody, ak používa iné príslušenstvo ako schválené spoločnosťou NOCO. **Miesto.** Zabráňte kontaktu elektrolytu s výrobkom. Nepoužívajte výrobok v uzavretej oblasti alebo oblasti s obmedzeným vetraním. Neumiestňujte batériu na výrobok. Káblové vedenia umiestnite tak, aby nedošlo k ich náhodnému poškodeniu pohyblivými dielmi auta (vrátane kapoty a dverí), pohyblivými dielmi motora (vrátane lopatiek ventilátora, pásov a kladiek) alebo čímkoliek, čo by mohlo predstavovať nebezpečenstvo a spôsobiť zranenie alebo smrť. **Prevádzková teplota.** Tento výrobok je navrhnutý tak, aby pracoval pri teplotách od $-20\text{ }^{\circ}\text{C}$ do $+50\text{ }^{\circ}\text{C}$. Neprevádzkujte ho mimo tohto teplotného rozsahu. Nevykonávajte strmý štart zamrzutej batérie. Ak sa batéria nadmerne zohreje, výrobok okamžite prestaňte používať. **Skladovanie.** Výrobok nepoužívajte ani neskladujte v oblastiach s vysokými koncentraciami prachu alebo materiálmi vznášajúcimi sa vo vzduchu. Výrobok skladujte na plochých, bezpečných povrchoch tak, aby nebol náchylný na spadnutie. Výrobok skladujte na suchom mieste. Skladovacia teplota je $-20\text{ }^{\circ}\text{C}$ až $+50\text{ }^{\circ}\text{C}$ (priemerná teplota $0\text{ }^{\circ}\text{C}$ až $+25\text{ }^{\circ}\text{C}$). Nikdy a za žiadnych podmienok neprekračujte teplotu $80\text{ }^{\circ}\text{C}$. **Kompatibilita.** Tento výrobok je kompatibilný iba s olovenými batériami 12 V. Výrobok nepoužívajte s inými druhmi batérií. Rýchlonabíjanie iných druhov batérií môže spôsobiť škodu na majetku, poranenie, ba dokonca smrť. Pred rýchlonabíjaním sa uistite, či je na to autobatéria určená a ak si nie ste istí zložením či napätím batérie, rýchlonabíjanie nerealizujte. **Batéria.** Vo výrobku integrovanú lítium-iónovú batériu smie vymeniť výlučne spoločnosť NOCO a je nutné ju zrecyklovať alebo zlikvidovať mimo domového odpadu. Nesnažte sa vymeniť batériu sami a nemanipulujte s poškodenou alebo tečúcou lítium-iónovou batériou. Nikdy nevyhadzujte batériu do domového odpadu. Vyhadzovanie batérií do domového odpadu je na základe štátnych a federálnych zákonov a predpisov USA nezákonné. Použité batérie vždy odovzdajte v miestnom recyklačnom stredisku. Ak je batéria výrobku nadmerne horúca, vydáva zápach, je zdeformovaná, rozseknutá alebo vyzerá neobvykle, okamžite zastavte každé používanie a kontaktujte spoločnosť NOCO. **Nabíjanie batérie.** Výrobok môžete dobíť s pribalenou autonabíjačkou 12VDC alebo s nástennou nabíjačkou XGC4. Nepoužívajte adaptéry neznačkej výroby a nízkej kvality, nakoľko predstavujú riziko škody na výrobku či inom majetku a poranenia. Použitie poškodených káblov či nabíjačiek môže viesť poraneniu elektrickým prúdom. Spoločnosť NOCO (ďalej len „NOCO“) nezodpovedá za poškodenia zariadenia, majetku či poranenia spôsobené použitím príslušenstva, ktoré nebolo schválené NOCO. Ak používate nástennú nabíjačku XGC4, uistite sa, že je

dobijací kábel zapojený do nabíjačky predtým, než nabíjačku zapojíte do zásuvky. Nabíjačka sa pri použití zahrieva a pridlhé vystavenie pokožky zohriatej nabíjačke môže spôsobiť poranenie. Priestor, v ktorom sa nabíjačka používa, by mal byť kvalitne odvetrávaný. Nabíjačku nedobíjajte častejšie ako raz za týždeň, nakoľko prebíjanie môže skrátiť životnosť batérie. Časom sa nevyužitá nabíjačka vybíja a musí sa pred použitím dobiť. Ak nabíjačku práve nepoužívate, vypojte ju zo zásuvky a používajte ju iba na určené účely. **Lekárske prístroje.** Výrobok môže vytvárať elektromagnetické polia. Výrobok obsahuje magnetické diely, ktoré môžu rušiť fungovanie kardiostimulátorov, defibrilátorov a iných lekárskeho prístrojov. Tieto elektromagnetické polia môžu rušiť fungovanie kardiostimulátorov a iných lekárskeho prístrojov. Ak máte nejaký lekárskeho prístroj vrátane kardiostimulátora, pred použitím výrobku sa poraďte so svojím lekárom. Ak máte podozrenie, že výrobok ruší fungovanie lekárskeho prístroja, výrobok okamžite prestaňte používať a obráťte sa na svojho lekára. **Zdravotný stav.** Ak máte zdravotný stav, na ktorý podľa vás môže mať výrobok vplyv, ako napríklad (nielen) záchvaty, straty vedomia, únava očí alebo bolesti hlavy, pred použitím výrobku sa poraďte so svojím lekárom. Používanie integrovanej vysoko výkonnej baterky predstavuje riziko citlivosti na svetlo. Používanie svetla v režime pulzovania môže osobám, ktoré trpia fotosenzitívnou epilepsiou, spôsobiť záchvaty, čo môže mať za následok vážne zranenie alebo smrť. **Svetlo.** Dívania sa priamo do baterky môže mať za následok trvalé poškodenie zraku. Výrobok je vybavený vysoko výkonnou lampou LED s vopred určeným smerovaním, ktorá pri najvyššom nastavení vydáva silný lúč svetla. **Čistenie.** Pred vykonávaním údržby alebo čistením výrobok vypnite. Výrobok vyčistíte a osušíte okamžite po tom, ako príde do kontaktu s kvapalinou alebo ľubovoľným typom nečistoty. Používajte mäkkú tkaninu nepúšťajúcu vlákna (mikrovlákno). Zabráňte vniknutiu vlhkosti do otvorov. **Výbušné prostredia.** Dodržiavajte všetky značky a pokyny. Nepoužívajte výrobok v oblasti s potenciálne výbušnou atmosférou vrátane čerpacích oblastí alebo oblastí, ktoré obsahujú chemikálie alebo častice ako zrnkový, prachový alebo kovový prášok. **Činnosti s rozsiahlymi následkami.** Tento výrobok nie je určený na používanie tam, kde by porucha výrobku mohla viesť k zraneniu, smrti alebo vážnemu poškodeniu životného prostredia. **Rádiofrekvenčné rušenie.** Výrobok je navrhnutý, testovaný a vyrobený tak, aby spĺňal požiadavky predpisov upravujúcich rádiové frekvenčné emisie. Takéto emisie z výrobku môžu negatívne ovplyvniť prevádzku iných elektronických zariadení a spôsobiť ich poruchu. **Číslo modelu: GB251** Toto zariadenie spĺňa požiadavky časti 15 smerníc FCC. Pre prevádzku platia nasledujúce dve podmienky: (1) tento prístroj nesmie spôsobovať škodlivé interferencie a (2) tento prístroj musí akceptovať všetky prijaté interferencie vrátane interferencií, ktoré môžu spôsobiť nežiaducu činnosť. **POZNÁMKA:** Toto zariadenie bolo otestované a bolo konštatované, že vyhovuje obmedzeniam pre digitálne zariadenia triedy A, v súlade s časťou 15 smerníc FCC. Tieto limity sú navrhnuté tak, aby poskytovali rozumnú ochranu proti rušivému vplyvu pri používaní zariadenia v komerčnom prostredí. Tento výrobok generuje, používa a môže vyžarovať energiu s rádiovou frekvenciou, a ak nie je inštalovaný a používaný v súlade s návodom na používanie, môže spôsobiť rušenie rádiové komunikácie. Používanie tohto zariadenia v obývanej oblasti môže spôsobiť škodlivé rušenie a v takom prípade sa od používateľa bude vyžadovať, aby rušenie skorigoval na vlastné náklady.

Návod na používan

1. krok: Nabite zariadenie GB251.

Model GB251 je od výroby nabitý iba čiastočne a pred prvým použitím je nutné nabiť ho. Pripojte GB251 k príbalenej autonabíjačke 12 V DC alebo k nástennej nabíjačke XGC4 cez 12 V IN zásuvku. Čas nabíjania GB251 bude závisieť od úrovne vybitia batérie, napájacieho zdroja a stavu batérie.

Pri nabíjaní je úroveň nabitia internej batérie zobrazená kontrolkami LED nabíjania. Kontrolky LED budú pomaly blikať a potom začnú nepretržite svietiť, kým všetky štyri kontrolky LED budú zapnuté. Keď sa batéria úplne nabije, zelená kontrolka LED 100% bude nepretržite svietiť a kontrolky LED nabíjania 25%, 50% a 75% zhasnú. Občas bude kontrolka LED 100% blikať, čo znamená, že dochádza k udržiavaniu nabitia.

2. krok: Pripojte k batérii.

Pozorne si prečítajte návod na použitie vozidla, odporúčania a metódy štartovania vozidla káblami. V návode na použitie autobatérie sa uistite, že autobatéria má vhodné zloženie a napätie. Model GB251 je určený na rýchlonabíjanie olovených autobatérií 24 V. Predtým, než rýchlonabíjačku pripojíte k autobatérii sa uistite, že sa jedná o olovenú autobatériu 24 V. Model GB251 nie je kompatibilný s inými druhmi batérií. Pred pripojením rýchlonabíjačky si overte polaritu autobatérie. Kladný pól batérie je zvyčajne označený symbolom „+“ alebo písmenami „POS“ či „P“. Záporný pól batérie je zvyčajne označený symbolom „-“ alebo písmenami „NEG“ či „N“. Rýchlonabíjačku nepripájajte ku karburátoru, palivovým hadiciam či tenkým kovovým častiam. Pokyny uvedené nižšie predpokladajú vozidlo s ukostreným záporným pólom. Ak má vaše vozidlo ukostrený kladný pól, prečítajte si pozorne návod na použitie vášho vozidla a odporúčania pri štartovaní káblami.

1.) Pripojte červenú svorku (kladnú) ku kladnému (POS/P/+) pólu batérie a čiernu svorku (zápornú) ku zápornému (NEG/N/-) pólu batérie alebo ku karosérii vozidla.

Čas dobitia:	Rozsah nabíjačky:
--------------	-------------------

5hr	56W
-----	-----

Ukazovateľ nabitia internej batérie



25% 50% 75% 100%

3. krok: **Strmý štart.**

- 1.) Skontrolujte, či sú všetky výkonové záťaže vozidla (osvetlenie, rádio, klimatizácia atď.) vypnuté a až potom začnite s ostrým štartom vozidla.
- 2.) Ak chcete spustiť rýchl nabíjanie, stlačte tlačidlo napájania a všetky LEDky bliknú raz. Ak je zariadenie riadne pripojené k autobatérii, rozsvieti sa biela LEDka a LEDky nabíjania batérie ju budú nasledovať. Akonáhle systém detekuje batériu, spustí sa 60-sekundové odpočítavanie.
- 3.) Skúste naštartovať vozidlo. Väčšina áut sa naštartuje okamžite. Niektoré vozidlá môžu vyžadovať, aby bolo zariadenie GB251 pred štartom pripojené aspoň 30 sekúnd. Ak vozidlo hneď nenaštartuje, počkajte 20 – sekúnd a skúste to znovu. Nevykonajte viac ako päť (5) po sebe idúcich ostrých štartov v rámci 15 minút. Nechajte zariadenie GB251 pätnásť (15) minút odpočívať a až potom sa pokúste o ďalší ostrý štart.
- 4.) Po naštartovaní vozidla odpojte svorky batérie a vyberte zariadenie GB251.

60-sekundové odpočítavanie.

60-sekundové odpočítavanie sa spustí, akonáhle zariadenie v systéme deteguje batériu. Po uplynutí 60 sekúnd sa deaktivuje funkcia štartovania cez káble. Vypne sa dióda LED dobíjania a dióda LED stavu nabitia zariadenia zostanú zapnuté. Ak chcete resetovať funkciu štartovania cez káble, vypnite a zapnite zariadenie stlačením a opätovným stlačením tlačidla napájania.

UPOZORNENIE.

FUNKCIA 60-SEKUNDOVÉHO ODPOČÍTAVANIA JE V REŽIME MANUÁLNEHO OVLÁDANIA DEAKTIVOVANÁ. DODÁVKA ELEKTRICKÉHO PRÚDU SA V REŽIME MANUÁLNEHO OVLÁDANIA NEPRERUŠUJE. AK CHCETE VYUŽIŤ KAPACITU ZARIADENIA NAPLNO, ODPORÚČAME VÁM VYPNÚŤ HO, AKONÁHLE VOZIDLO NAŠTARTUJETE.

Batérie s nízkym napätím a manuálne vyradenie

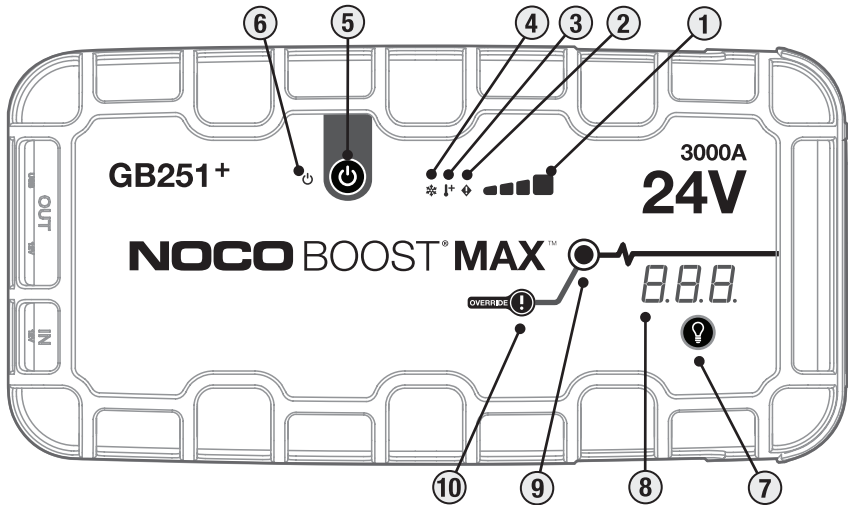
Model GB251 je navrhnutý na rýchlonabíjanie olovených autobaterií 24 V s úrovňou vybitia až na 2 volty. Ak je vaša autobatéria vybitá ešte viac, LEDka nabíjania ostane vypnutá. V tomto prípade GB251 nedokáže detegovať autobatériu a je potrebné použiť režim ručného ovládania. Ak je batéria vybitá pod úroveň 2 voltov, LEDka nabíjania zostane vypnutá a na voltmetri sa nebudú zobrazovať hodnoty.

UPOZORNENIE.

V TOMTO REŽIME POSTUPOJTE MIMORIADNE OPATRNE. TENTO REŽIM JE URČENÝ VÝLUČNE NA DOBÍJANIE 24-VOLTOVÝCH OLOVENÝCH AUTOBATERIÍ. V RUČNOM REŽIME JE OCHRANA PROTI OPAČNEJ POLARITE A SKRATOVANIU DEAKTIVOVANÁ. UJISTITE SA, ŽE JE RÝCHLONABÍJAČKA PRIPOJENÁ K AUTOBATERII SO SPRÁVNOU POLARITOU. VYVARUJTE SA KONTAKTU Kladnej a zápornej SVORKY, NAĽOĽKO PRI TOM DOCHÁDZA K ISKRENIU. V TOMTO REŽIME ZARIADENIE POUŽÍVA VEĽMI VYSOKÝ NABÍJACÍ PRÚD (AŽ 3000 AMPÉROV), ČO PRI NESPRÁVNYM POUŽITÍ SPÔSOBUJE ISKRENIE A PREHRIEVANIE. AK SI NIE STE ISTÍ POUŽITÍM RUČNÉHO REŽIMU, NEVÁHAJTE VYHLADAŤ ODBORNÚ POMOC.

Napájame vaše USB zariadenia a zariadenia 12 V.

Model GB251 je vybavený (2) USB výstupmi a klasickým výstupom 12 V (AUX výstup/výstup 12 V zo zapalovača) a je schopný napájať akékoľvek zariadenie (do 15A) so štandardnou USB alebo prípojkou 12 V.



Rozhranie

1.) Ukazovateľ nabitia internej batérie Indikuje úroveň nabitia internej batérie.

2.) Červená kontrolka LED Svieta červeno, ak je zistená opačná polarita, alebo bliká „zapnuté“ a „vypnuté“ v rôznych sekvenciách (od 1 do 6 bliknutí), aby sa vyjadrili chybové stavy.

3.) Kontrolka LED Horúce svieti načerveno: jednotka je plne funkčná, blíži sa však k hornému teplotnému limitu. Bliká červeno; jednotka je príliš horúca na preskočenie, v tomto stave je k dispozícii iba baterka.

4.) Kontrolka LED Studené svieti namodro: jednotka je plne funkčná, blíži sa však k dolnému teplotnému limitu. Bliká na modro; jednotka je príliš studená na rozbeh, v tomto stave je k dispozícii iba baterka.

5.) Hlavný vypínač slúži na zapnutie a vypnutie jednotky.

6.) Kontrolka LED napájania svieti, keď je jednotka zapnutá. Po 60 sekundovom odpočítavaní časového limitu sa rozsvieti oranžovo, kým sa svorky neodpoja z autobatérie alebo kým sa GB251 nezapne a znovu nezapne.

7.) Tlačidlom Režim svetla možno prepínať ultrajasnú svetlo LED v rámci 7 režimov svietenia: 100 % > 50 % > 10 % > SOS > Blikanie > Pulzovanie > Vyp.

8. Voltmeter / odpočítavací časovač Integrovaný voltmeter odčítava napätie batérie vozidla za účelom lepšej diagnostiky a riešenia problémov. Voltmeter automaticky odčíta napätie ľubovoľnej batérie (alebo batériového systému), keď sú pripojené svorky batérie, aj keď je jednotka vypnutá. Voltmeter odčítava napätie v rozmedzí od ~ 3 V do ~ 30 V. Ak je napätie pripojenej batérie nižšie ako 3 V, nič sa nezobrazí. Ak je napätie také nízke, batéria je pravdepodobne zatažená, napríklad osvetlením alebo ventilátorom klimatizácie. Tieto funkcie treba vypnúť a potom sa znovu pokúsiť naštartovať vozidlo. Keď je jednotka zapnutá a po zistení stavu batérie, voltmeter zobrazí odpočítavanie 60-sekundového časového limitu.

9.) Kontrolka LED plnenia svieti, keď je aktívna funkcia Plnenie. AK je jednotka správne pripojená k batérii, zariadenie GB251 automaticky zistí batériu a prejde do režimu Plnenie (keď je aktívna funkcia Manuálne vyradenie, kontrolka LED bliká nabiele).

10.) Na aktivovanie manuálneho vyradenia stlačte tlačidlo Manuálne vyradenie a podržte ho stlačené tri (3) sekundy. **VAROVANIE: Vypne sa pritom bezpečnostná ochrana a manuálne sa vynúti zapnutie plnenia. Používa sa iba vtedy, keď je napätie batérie príliš nízke na to, aby sa dalo zistiť.**

Riešenie problémov

	Chyba	Dôvod/Riešenie
⚠	Kontrolka LED chyby: Neprerušované červené svetlo	Opačná polarita/Vymeňte pripojky batérie.
	Kontrolka LED chyby: Blikajúce červené svetlo w/Káble pripojené správne	Bol zistený skrat na póloch batérie. / Batériu nechajte skontrolovať odborníkom.
	Jedno (1) zabliknutie	Bol zistený skrat na póloch batérie. / Odpojte a opätovne pripojte svorky.
	Dvojitý (2) blesk	Vysoké napätie zistené na svorkách (GB251 je pripojený k napätovému systému väčšiemu ako 24V).
	Štvornásobný (4) blesk	Chyba časového limitu nabíjania (t. J. GB251 je hromadne nabíjaná príliš dlho)
	Päťnásobný (5) blesk	XGC OUT nadprúd (tj. Z portu XGC OUT sa odoberá viac ako 15 ampérov)
	Šestročný (6) Flash	Porucha systému správy batérií (BMS). (Napájanie GB251 „vypnite“ a „zapnite“, aby ste ho odstránili. Ak problém pretrváva, obráťte sa na zákaznickú podporu)
⚡+	Kontrolka LED Horúce: Svetí	Jednotka je plne funkčná, no blíži sa k hornému teplotnému limitu./Nechajte jednotku vychladnúť.
	Kontrolka LED Horúce: Bliká	Jednotka je na zahriatie príliš horúca, v tomto stave je k dispozícii iba baterka. / Nechajte prístroj vychladnúť.
	Kontrolka LED Horúce: Bliká, potom všetky kontrolky LED zhasnú	Jednotka je príliš horúca pre strmý štart alebo na použitie iných funkcií. / Nechajte jednotku vychladnúť – umiestnite ju do chladnejšieho prostredia.
❄	Kontrolka LED Studené: Svetí	Jednotka je plne funkčná, no blíži sa k dolnému teplotnému limitu. / Nechajte jednotku zohriať.
	Kontrolka LED Studené: Bliká	Jednotka je príliš studená na spustenie, je v tomto stave k dispozícii iba baterka / Nechajte jednotku zahriať.

Kontrolka LED Studené: Bliká, potom všetky kontrolky LED zhasnú	Jednotka je príliš studená pre strmý štart alebo na použitie iných funkcií. / Nechajte jednotku zohriať – umiestnite ju do teplejšieho prostredia.
Kontrolka plnenia sa nerozsvietila w/Správne pripojte káble.	Pripojená batéria má napätie nižšie ako 3 V/Odstráňte všetky záťaž a skúste to znovu alebo použite režim Manuálne vyradenie.

Technické parametre

Interná batéria: 137Wh Lítium-iónová	12V (vstup): 12V/5A (14V Max)
Vrcholový menovitý prúd: 3000A	12V (výstup): 12V, 15V Max
Prevádzková teplota: od -20 °C do +50 °C	Ochrana krytu: IP65 (w/Porty zatvorené)
Teplota pri nabíjaní: od 0 °C do +40 °C	Chladenie: Prírodné prúdenie
Teplota uskladnenia: od -20 °C do +50 °C (priem. teplota)	Rozmery (D x Š x V). 31,75 x 20,83 x 3,39 centimetre
USB (výstup): 5 V, 2,1 A	Hmotnosť: 6,19 kilogramov (13,65 lb)

NOCO – Ročná (1 rok) obmedzená záruka

Spoločnosť NOCO („NOCO“) zaručuje, že na tomto výrobku („Výrobok“) sa nevyskytnú chyby materiálu ani spracovania počas obdobia jedného (1) roka od dátumu kúpy („Záručná doba“). Ak sa vyskytnú chyby počas Záručnej doby, spoločnosť NOCO podľa vlastného uváženia a na základe analýzy technickej podpory chybné Výrobky opraví alebo vymení. Náhradné diely a výrobky budú nové alebo účelne použité, v oblasti funkčnosti a výkonu porovnateľné s originálnym dielom a kryté zárukou pre zvyšok pôvodnej Záručnej doby.

ZODPOVEDNOSŤ SPOLOČNOSTI NOCO JE TÝMTO VYSLOVENE OBMEDZENÁ NA VÝMENU ALEBO OPRAVU. V MAXIMÁLNEJ MIERE, AKÚ UMOŽŇUJE PRÁVO, SPOLOČNOSŤ NOCO NEBUDE ZODPOVEDAŤ ŽIADNEMU KUPUJÚCEMU VÝROBKU ALEBO TRETEJ STRANE ZA

ŽIADNE ŠPECIÁLNE, NEPRIAME, NÁSLEDNÉ ALEBO EXEMPLÁRNE ŠKODY VRÁTANE (NIELEN) STRATY ZISKU, POŠKODENIA MAJETKU ALEBO ZRANENIA OSOBY, AKOKOLVEK SÚVISIACICH S VÝROBKOM, AKOKOLVEK VZNIKNUTE, AJ KEĎ SPOLOČNOSŤ NOCO VIE O MOŽNOSTI TAKÝCHTO ŠKÔD. VŠETKY TU STANOVENÉ ZÁRUKY NAHRADZUJÚ VŠETKY OSTATNÉ ZÁRUKY, VÝSLOVNÉ, PREDPOKLADANÉ, ŠTATUTÁRNE ALEBO INÉ VRÁTANE (NIELEN) PREDPOKLADANÝCH ZÁRUK PREDAJNOSTI A VHODNOSTI NA KONKRÉTNY ÚČEL A ZÁRUK VYPLÝVAJÚCICH Z PRIEBEHU OBCHODOVANIA, POUŽITIA ALEBO OBCHODNEJ PRAXE. V PRÍPADE, ŽE PLATNÉ ZÁKONY STANOVIA ZÁRUKY, PODMIENKY ALEBO ZÁVZKY, KTORÉ NEMOŽNOV VYLÚČIŤ ALEBO MODIFIKOVAŤ, TENTO ODSTAVEC PLATÍ V NAJVČŠOM MOŽNOM ROZSAHU POVOLENOM TAKÝMITO ZÁKONMI.

Táto Obmedzená záruka slúži výlučne v prospech pôvodného kupujúceho Výrobku od spoločnosti NOCI a od predajcu alebo distribútora schváleného spoločnosťou NOCO a nemožno ju previesť ani preniesť. Na uplatnenie reklamačného nároku kupujúci musí: (1) vyžiadať si a získať číslo povolenia na vrátenie tovaru („RMA“) a informácie o mieste vrátenia („Miesto vrátenia“) od podpory spoločnosti NOCO prostredníctvom e-mailu na adresu support@no.co alebo telefonátom na číslo 1.800.456.6626; a (2) odoslať Výrobok spolu s číslom RMA, účtenkou alebo záručným poplatkom (poplatok sa požaduje len v prípade, že nemáte účtenku) vo výške 45 % z výrobcom odporúčenej maloobchodnej ceny chybného Výrobku („Záručný poplatok“) [RMA bude zahŕňať sumu príslušného Záručného poplatku] na Miesto vrátenia. NEPOSIELAJTE TENTO VÝROBK PREDTÝM, AKO DOSTANETE OD PODPORY SPOLOČNOSTI NOCO ČÍSLO POVOLENIA NA VRÁTENIE TOVARU (RMA).

PÔVODNÝ KUPUJÚCI JE ZODPOVEDNÝ ZA (A MUSÍ VOPRED UHRADIŤ) VŠETKY NÁKLADY NA BALNÉ A PREPRAVU V RÁMCI ODOSLANIE VÝROBKU NA ZÁRUČNÝ SERVIS.

PRI NEDODRŽANÍ VYŠŠIE UVEDENÝCH BODOV TÁTO OBMEDZENÁ ZÁRUKA STRÁCA PLATNOSŤ A NEVZŤAHUJE SA NA VÝROBKY, KTORÉ: (a) boli nesprávne použité, nesprávne sa s nimi manipulovalo, boli predmetom zlého alebo nepozorného zaobchádzania, nehody, boli nevhodne skladované alebo používané v podmienkach s extrémnym napätím, teplotou, nárazmi alebo vibráciami, ktoré prekračujú odporúčania spoločnosti NOCO týkajúce sa bezpečného a efektívneho používania; (b) boli nesprávne nainštalované, prevádzkované alebo udržiavané; (c) sú/boli modifikované bez vysloveného písomného súhlasu spoločnosti NOCO; (d) boli demontované, upravené alebo opravené niekým iným ako spoločnosťou NOCO; (e) vyskytli sa na nich poruchy po Záručnej dobe.

TÁTO OBMEDZENÁ ZÁRUKA NEPOKRÝVA: (1) bežné opotrebovanie a odreniny; (2) poškodenie vzhľadu, ktoré nemá vplyv na funkčnosť;

alebo (3) Výrobky, kde chýba sériové číslo NOCO, je upravené alebo znehodnotené.

PODMIENKY BEZPROBLÉMOVEJ ZÁRUKY

Tieto podmienky sa vzťahujú iba na výrobky, ktoré stále sú v záručnej dobe. Platnosť záruky môže vypršať buď uplynutím záručnej doby od momentu kúpy (resp. od dátumu spojeného so sériovým číslom výrobku, ak nemožno preukázať dátum kúpy), alebo naplnením podmienok uvedených vyššie. Výrobok je nutné vrátiť s príslušnou dokumentáciou.

S dokladom o kúpe:

1. rok: BEZ poplatkov. S dokladom o kúpe začína záručná doba plynúť odo dňa kúpy.

BEZ dokladu o kúpe:

1. rok: BEZ poplatkov. BEZ dokladu o kúpe začína záručná doba plynúť odo dňa spojeného so sériovým číslom výrobku.

Výrobok NOCO môžete zaregistrovať on-line na adrese: no.co/register. Ak máte otázky týkajúce sa záruky alebo výrobku, obráťte sa na oddelenie podpory spoločnosti NOCO (e-mail a tel. číslo vyššie) alebo napíšte na adresu: NOCO Company, 30339 Diamond Parkway, #102, Glenwillow, OH 44139 USA.

NOCO BOOST[®] MAX[™] GB251+



NEVARNOST

Navodila za uporabo in garancija



PRED UPORABO TEGA IZDELKA JE TREBA VSE VARNOSTNE INFORMACIJE SKRBNO PREBRATI IN RAZUMETI. Posledica nespoštovanja teh varnostnih navodil je lahko ELEKTRIČNI UDAR, EKSPLOZIJA, POŽAR, kar lahko pripelje do RESNIH POŠKODB, SMRTI ALI MATERIALNE ŠKODE.



Električni udar. Izdelek je električna naprava pri kateri lahko pride do električnega udara in resnih poškodb. Ne prerežite napajalnih kablov. Ne potaplajte v vodo in ne dovolite, da se zmoči.



Eksplozija. Nenadzorovane, nezdržljive ali poškodovane baterije lahko pri uporabi v izdelku eksplodirajo. Izdelka med uporabo ne puščajte brez nadzora. Ne izvajajte prisilnega zagona, kadar je baterija poškodovana ali zamrznjena. Izdelek uporabljajte samo z baterijami priporočene napetosti. Izdelek uporabljajte v dobro prezračjenih območjih.



Nevarnost požara. Izdelek je električna naprava, ki oddaja toploto in lahko povzroči opekline. Izdelka ne pokrivajte. Ne kadite in ne uporabljajte kakršnekoli električne iskre ali ognja pri obratovanju izdelka. Izdelek držite stran od vnetljivih materialov.



Nevarnost poškodb oči. Pri obratovanju izdelka uporabljajte zaščitno očii. Baterije lahko eksplodirajo in povzročijo leteče drobce. Kislina baterije lahko povzroči draženje oči in kože. V primeru kontaminacije oči ali kože je treba prizadeto območje sprati pod čisto tekočo vodo in se nemudoma obrniti na center za nadzor zastrupitev.



Eksplozivni plini. Delo v bližini svinčene kisline je nevarno. Med običajnim obratovanjem baterije povzročajo le-te eksplozivne pline. Za znižanje tveganja za eksplozijo baterije upoštevajte vsa varnostna navodila in navodila, ki jih objavi proizvajalec baterije in proizvajalec katerekoli opreme, namenjene za uporabo v bližini baterije. Oglejte si previdnostne oznake na teh izdelkih in na motorju.

Slovenski

Za več informacij in podpore
obiščite:

www.no.co/support

Pomembna varnostna opozorila

POZOR

Ročni način izklopi vse varnostne ukrepe. Ko ni uporabljen pravilno in/ali je uporabljen v nasprotju z našo priporočeno uporabo, lahko povzroči poškodbe ali smrt, prav tako vaša garancija postane neveljavna. Tveganje za požar, eksplozijo in opekline. Ne razstavljajte, stiskajte, segrevajte nad 60 °C (140 °F) ali zažigajte. Naprava je namenjena za začasno zunanjo uporabo, pri uporabi naprave v mokrih pogojih pa morate biti posebej pazljivi.

OPOZORILO

Ne prenapolnite notranjega akumulatorja. Glejte priročnik z navodili. Ne kadite, prižigajte vžigalic ali povzročajte iskrice v bližini akumulatorja. Notranji akumulator polnite samo v dobro prezračevanem območju, ko ga ne uporabljate.

POZOR

Tveganje za poškodbe. Izdelka ne uporabljajte, če so napajalni kabel in kabli akumulatorja kakorkoli poškodovani. Naprava ni namenjena za uporabo v komercialnih servisnih obratih. Ko ni v uporabi, morate napravo shraniti v zaprtem prostoru. Ko ni v uporabi, naprave ne smete shranjevati zunaj.

Določilo 65. Baterijski stebri, terminali in povezani dodatki vsebujejo kemikalije, vključno s svincem. Ti materiali so v državi Kalifornija znani kot povzročitelji raka in prirojenih okvar in drugih vplivov na sposobnost razmnoževanja. **Osebnostni varnostni ukrepi.** Izdelek uporabljajte samo v skladu z namenom. Pri delu bi moral biti nekdo na razdalji dosega vašega glasu, da vam lahko pomaga v nujnem primeru. V bližini imejte na zalogi čisto vodo in milo v primeru kontaminacije z baterijsko kislino. Pri delu blizu baterije uporabljajte popolno zaščito oči in zaščitna oblačila. Po ravnanju z baterijami in sorodnimi materiali si vedno umijte roke. Pri delu z baterijami nikoli ne upravljajte ali nosite kovinskih predmetov; vključno z orodjem, urami in nakitom. Če pade kovina na baterijo, lahko povzroči iskro ali kratek stik in posledica tega je lahko električni udar, požar, eksplozija, ki pripeljejo do poškodbe, smrti ali materialne škode. **Mladolletne osebe.** Če »kupec« nameni izdelek za uporabo pri mladolletniku, mora odrasla oseba, ki izdelek kupuje, zagotoviti podrobne informacije in opozorila za vsako mladolletno osebo, ki bo izdelek uporabljala. Nespoštovanje tega je v lastni odgovornosti »kupca«, ki se strinja s tem, da se podjetju NOCO ne povzroči nikakršna škoda v zvezi z nenamerno uporabo ali zlorabo s strani mladolletne osebe. **Nevarnost zadušitve.** Dodatki lahko predstavljajo nevarnost zadušitve za otroke. Otrok ne puščajte brez nadzora z izdelkom ali katerim od njegovih dodatkov. Izdelek ni igrača. **Uporaba.** Izdelek uporabljajte previdno. Ob spremembi izdelka se ta lahko poškoduje. Ne

uporabljajte poškodovanega izdelka, vključno z, vendar ne omejeno na, razpokami ohišja ali poškodovanimi kabli. Izdelka ne uporabljajte s poškodovanim kablom. Vlaga in tekočine lahko izdelek poškodujejo. Izdelka ali električnih komponent ne uporabljajte v bližini kakršnekoli tekočine. Izdelek hranite in uporabljajte na suhih mestih. Izdelka ne uporabljajte če se zmoči. Če izdelek že uporabljate in se zmoči, potem ga odklopite z baterije in takoj prenehajte z uporabo. Izdelka ne odklapljajte tako, da ga povlečete za kable. Spremembe. Nobenega dela izdelka ne poskušajte predelati, spremeniti ali popraviti. Razstavljanje izdelka lahko povzroči poškodbe, smrt ali poškodovanje lastnine. Če se izdelek poškoduje, ne deluje ali pride v stik s katerokoli tekočino, potem prenehajte z uporabo in se obrnite na podjetje NOCO. Kakršnekoli spremembe izdelka bodo izničile vašo garancijo. **Dodatki.** Ta izdelek je odobren samo za uporabo z dodatki podjetja NOCO. Podjetje NOCO ne odgovarja za varnost uporabnika ali za škodo, ki bi nastala pri uporabi dodatkov, ki jih ne odobri podjetje NOCO. **Lokacija.** Preprečite, da bi baterijska kislina prišla v stik z izdelkom. Izdelka ne uporabljajte v zaprtih prostorih ali v prostorih z omejenim zračenjem. Baterije ne postavljajte na vrh izdelka. Kable namestite tako, da preprečite nenamerno poškodovanje pri premikanju delov vozila (vključno s pokrovi in vrati), pri premikanju delov motorja (vključno z ventilatorji, jermeni in škripci), ali z deli, ki bi lahko postali nevarni zaradi povzročitve škode ali smrti. **Obratovalna temperatura.** Ta izdelek je zasnovan za obratovanje v okolju s temperaturami med -20o C do 50o C. Izdelka ne uporabljajte izven temperaturnega razpona. Ne izvajajte prisilnega zagona, kadar je baterija zamrznjena. Nemudoma prekinite z uporabo izdelka, če se baterija izredno segreje. **Hramba.** Vašega izdelka ne uporabljajte in ne shranjujte na območjih z visokimi koncentracijami prahu ali drobci zraku. Vaš izdelek shranjujte na ravnih in varnih površinah, da ne more pasti. Vaš izdelek shranjujte na suhem mestu. Temperatura za hrambo je med -20° C - 50° C (povprečna temperatura 0 ° C do + 25 ° C). V nobenem primeru nikoli ne presežite 80°C. **Združljivost.** Izdelek je združljiv samo z 12-voltnimi svinčeni akumulatorskimi sistemi. Izdelka ne poskušajte uporabljati z drugimi vrstami akumulatorjev. Zaganjanje akumulatorjev z drugimi vrstami kemikalij lahko povzroči poškodbe, smrt ali materialno škodo. Preden poskušate zagnati akumulator, stopite v stik s proizvajalcem akumulatorja. Ne zaganjajte akumulatorja, če niste prepričani o njegovi napetosti ali kemikalijah, ki jih vsebuje. **Baterija.** Vgradno litijsko-ionsko baterijo v izdelku lahko zamenjuje samo podjetje NOCO in potrebno jo je reciklirati ali odložiti med odpadke, ločene od gospodinjskih odpadkov. Ne poskušajte sami zamenjati baterije in ne uporabljajte poškodovane ali preluknjane litijske-ionske baterije. Baterije nikoli ne odlagajte med gospodinjske odpadke. Odlaganje baterij v gospodinjske odpadke prepovedujejo državni in zvezni okoljevarstveni zakoni in določila. Rabljene baterije vedno oddajte v vaš lokalni center za recikliranje. Če je baterija izdelka izredno vroča, oddaja vonj, je deformirana, prerezana, ji je potekel rok trajanja ali pa kaže neobičajne znake, takoj prenehajte z uporabo in se obrnite na podjetje NOCO. **Polnjenje baterije.** Izdelek polnite s priloženim 12 V avtomobilskim polnilnikom za enosmerni tok ali polnilnikom za stensko vtičnico XGC4. Ne uporabljajte splošnih napajalnikov ali napajalnikov tretjih oseb, saj lahko predstavljajo resno električno tveganje, ki lahko povzroči poškodbe oseb, naprave in materialno škodo. Uporaba poškodovanih kablov ali polnilnikov, ali polnjenje v prisotnosti vlage, lahko povzročita električni udar. Družba NOCO ni odgovorna za varnost uporabnika, poškodbe naprave ali materialno škodo pri uporabi dodatkov ali napajalnikov, ki

niso odobreni s strani družbe NOCO. Pri uporabi napajalnikov za stensko vtičnico XGC4 zagotovite, da je vtič za izmenični tok povsem vstavljen v razdelilnik, preden ga vklopite v vir napajanja. Napajalnik se lahko med običajno uporabo segreje, daljši stik s kožo pa lahko povzroči telesne poškodbe. Pri uporabi vedno zagotovite ustrezno prezračevanje okrog napajalnika. Če želite zagotoviti najdaljšo življenjsko dobo akumulatorja, izdelka ne polnite več kot en teden naenkrat, saj lahko prenapolnjenje skrajša življenjsko dobo akumulatorja. Izdelek se bo po daljšem obdobju neuporabe izpraznil in ga boste morali pred uporabo znova napolniti. Ko izdelka ne uporabljajte, ga izklopite iz virov napajanja. Izdelek uporabljajte samo za predvidene namene. **Medicinski pripomočki.** Izdelek lahko oddaja elektromagnetna polja. Izdelek vsebuje magnetne komponente, ki lahko vplivajo na srčne spodbujevalnike, defibrilatorje ali druge medicinske pripomočke. Ta elektromagnetna polja lahko vplivajo na srčne spodbujevalnike ali druge medicinske pripomočke. Če imate katerega od zdravniških pripomočkov, vključno s srčnimi spodbujevalniki, se posvetujte s svojim osebnim zdravnikom pred uporabo izdelka. Če sumite, da izdelek vpliva na zdravniške pripomočke takoj prenehajte z uporabo izdelka in se posvetujte s svojim zdravnikom. **Medicinska stanja.** Če imate kakršnakoli medicinska stanja za katera menite, da bi nanje lahko izdelek vplival, vključno, vendar ne omejeno na; napade, izgubo zavesti, premočno naprezanje oči ali glavoboli, se pred uporabo izdelka posvetujte s svojim zdravnikom. Uporaba integrirane visoko zmogljive žepne svetilke vključuje tveganje za nastanek občutljivosti na svetlobo. Uporaba svetilke v stroboskopskem načinu lahko povzroči napade pri osebah s fotosenzitivno epilepsijo. **Svetloba.** Neposredno strmenje v žepno svetilko lahko povzroči trajne poškodbe oči. Izdelek ima LED preusmerjeno svetilko visoke zmogljivosti, ki oddaja močan žarek pri najvišji nastavitvi. **Čiščenje.** Izdelek izklopite pred poskusom vzdrževanja ali čiščenja. Izdelek očistite in posušite takoj, ko pride v stik s tekočino ali katerokoli vrsto onesnaženja. Uporabite mehko krpo, ki ne pušča muck (mikrovlakna). Preprečite, da bi vlaga prišla v odprtine. **Eksplozivno ozračje.** Upoštevajte vse znake in navodila. Izdelka ne uporabljajte v nobenem območju, kjer obstaja potencialno eksplozivno ozračje, vključujoč področja goriv ali področja, ki vsebujejo kemikalije ali delce, kot so zrna, prah ali kovinski prah. **Dejavnosti z večjimi posledicami.** Ta izdelek ni primeren za uporabo, kjer bi lahko izpad izdelka pripeljal do poškodbe, smrti ali hujše okoljske škode. **Radijska frekvenca.** Izdelek je zasnovan, testiran in izdelan v skladu z določili zakonodaje o emisijah radijskih frekvenc. Takšne emisije izdelka lahko negativno vplivajo na delovanje druge elektronske opreme in povzročijo, da ta ne deluje. **Številka modela: GB251** Ta naprava je v skladu s 15. delom pravil FCC. Obratovanje je predmet naslednjih dveh pogojev: (1) ta naprava ne povzroča škodljivega vpliva, in (2) ta naprava mora sprejeti vsak poseg, tudi posege, ki pripeljejo do neželenega delovanja. **OPOMBA:** Ta oprema je testirana in ugotovljena za skladno z omejitvami kategorije A za digitalne naprave, v skladu s 15. delom pravil FCC. Te omejitve so zasnovane za zagotavljanje razumne zaščite pred škodljivimi vplivi, kadar oprema deluje v komercialnem okolju. Ta oprema proizvaja, uporablja in oddaja radijsko frekvenčno energijo in, če ni nameščena v skladu z navodili za uporabo, lahko povzroči vplivanje na radijske komunikacije. Delovanje te opreme v naseljenem območju lahko povzroči vpliv in v tem primeru bo uporabnik pozvan, da na svoje lastne stroške popravi vpliv.

Uporaba

1. korak: Polnjenje GB251.

Naprava GB251 je v embalaži delno napolnjena in jo je potrebno pred uporabo povsem napolniti. Napravo GB251 priključite na priložen 12 V avtomobilski polnilnik za enosmerni tok ali polnilnik za stensko vtičnico XGC4, z uporabo 12 V vhodnih vrat. Čas ponovnega polnjenja naprave GB251 se bo razlikoval glede na dejanski nivo porabe energije in uporabljeni vir napajanja. Dejanski rezultati se lahko razlikujejo glede na stanje akumulatorja in nivo porabe.

Pri ponovnem polnjenju prikazujejo LED lučke za polnost stopnjo napoljenosti notranje baterije. Lučka LED bo počasi utripala za »vklop« in »izklop« in se ustalila ko bodo vse štiri LED lučke za polnost neprekinjeno svetile. Ko je baterija popolnoma napolnjena bo zelena LED lučka 100% svetila neprekinjeno in lučke za 25%, 50% in 75% napoljenost se bodo »izklopile«. Vsake toliko časa se bo vklopila zelena LED lučka za 100% za prikazovanje ohranjanja polnjenja.

2. korak: Povezava z baterijo.

Pozorno preberite priročnik za uporabo vozila in zagotovite, da ga razumete, ter se posebej osredotočite na določene previdnostne ukrepe in priporočene načine zagona vozila. Poskrbite, da pred uporabo izdelka določite napetost in kemijske lastnosti akumulatorja, tako da preberete priročnik za uporabo akumulatorja. Naprava GB251 je namenjena samo zaganjanju 24-voltnih svinčenih akumulatorskih sistemov. Pred priključevanjem naprave na akumulator zagotovite, da imate 24-voltni svinčeni akumulatorski sistem. Naprava GB251 ni primerna za druge vrste akumulatorjev. Določite pravilno polarnost akumulatorskih polov na akumulatorju. Pozitiven akumulatorski pol je običajno označen s temi črkami ali simboli (POS, P, +). Negativen akumulatorski pol je običajno označen s temi črkami ali simboli (NEG, N, -). Naprave ne priključujte na uplinjač, dovod goriva ali tanke kovinske dele. Spodnja navodila veljajo za sisteme z negativno ozemljitvijo (najbolj pogosti). Če ima vaše vozilo sistem s pozitivno ozemljitvijo (zelo redko), za ustrezna navodila za zagon glejte priročnik vozila.

Čas ponovnega
polnjenja:

5hr

Stopnje
napoljenosti:

56W

Interna stopnja baterije



25% 50% 75% 100%

1.) Pozitivno (rdečo) akumulatorsko sponko priključite na pozitiven akumulatorski pol (POS, P, +), negativno (črno) akumulatorsko sponko pa priključite na negativen akumulatorski pol (NEG, N, -) ali šasijo vozila.

3. korak: **Prisilni zagon.**

1.) Zagotovite, da so vse napajalne obremenitve vozila (luči, radio, klimatska naprava itd.) izklopljene pred poskusom prisilnega zagona vozila.

2.) Če želite začeti zagon pritisnite gumb za vklop in vse lučke LED bodo enkrat utripnile. Če ste napravo ustrezno priključili na akumulator, bo posvetila bela lučka LED za ojačitev, nato še lučke LED za napolnjenost akumulatorja. Takoj ko naprava zazna akumulator, se bo začelo 60-sekundno odštevanje ob časovni zakasnitvi.

3.) Poskusite zagnati vozilo. Večina vozil se bo takoj zagnala. Pri nekaterih vozilih bo morda potrebno, da je GB251 neprekinjeno povezan 30 sekund pred zagonom vozila. Če se vozilo ne zažene takoj, počakajte 20 do 30 sekund in poskusite ponovno. Ne izvedite več kot pet (5) zaporednih prisilnih zagonov v obdobju petnajst (15) minut. GB251 pustite stati petnajst (15) minut pred poskusom ponovnega zagona vozila.

4.) Ko ste vozilo zagnali odklopite baterijske sponke in odstranite GB251.

60-sekundna zakasnitev.

60-sekundno odštevanje se bo začelo takoj, ko bo akumulator zaznan. Ko 60 sekund poteče, bo funkcija za zagon onemogočena. LED lučka ob vklopu se bo izklopila, LED lučke za notranjo napolnjenost akumulatorja pa bodo prikazale trenutni nivo napolnjenosti enote. Če želite ponastaviti funkcijo zaganjanja, pritisnite gumb za vklop/izklop in izklopite enoto. Znova pritisnite gumb za vklop/izklop, da vklopite enoto in znova zaženete funkcijo za zagon.

PREVIDNO

60-SEKUNDNA ZAKASNITEV JE ONEMOGOČENA, KO UPORABLJATE NAČIN ROČNEGA NADZORA. KO JE ROČNI NADZOR VKLJUČEN,

BO NAPAJANJE ŠE VEDNO DELOVALO. ČE ŽELITE POVEČATI ŠTEVILO ZAGONOV, JE PRIPOROČENO, DA ZAGONSKO ENOTO IZKLOPITE TAKOJ, KO SE VOZILO ZAŽENE.

Baterija z nizko napetostjo in ročna zaustavitev

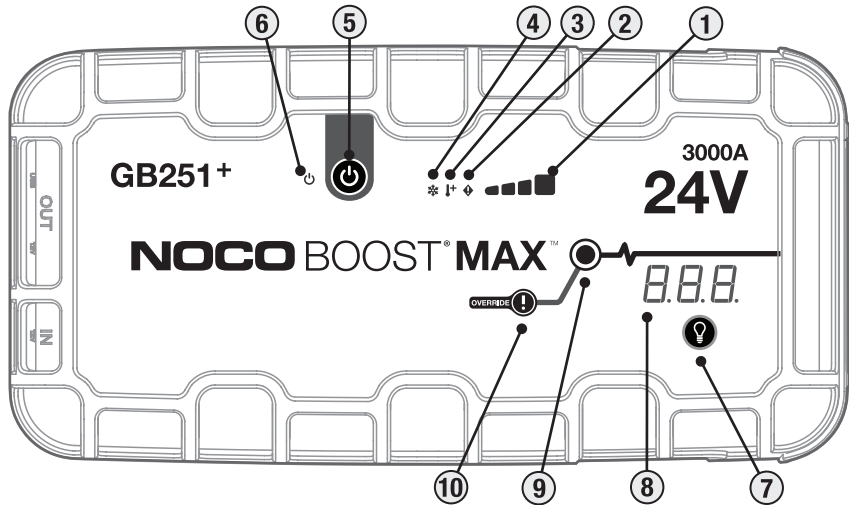
Naprava GB251 je zasnovana za zagon 24-voltnih svinčenih akumulatorskih sistemov, vse do 2-voltnih sistemov. Če je napetost vašega akumulatorja nižja od 2 voltov, bo lučka LED za ojačitev izklopljena. To pomeni, da naprava GB251 ne more zaznati akumulatorja. Če morate zagnati akumulator z nižjo napetostjo od 2 voltov, obstaja funkcija ročnega krmiljenja, ki vam omogoča, da prisilno vklopite funkcijo zaganjanja. Če je napetost akumulatorja nižja od 2 voltov, lučka LED za ojačitev ne bo svetila, voltmeter pa ne bo prikazoval napetosti.

PREVIDNO

PRI UPORABI TEGA NAČINA BODITE ZELO PAZLJIVI. TA NAČIN JE NAMENJEN SAMO 24-VOLTNIM SVINČENIM AKUMULATORSKIM SISTEMOM. ONEMOGOČENI STA TAKO FUNKCIJI ZA ZAŠČITO PRED ISKRENJEM IN PRED OBRATNO POLARNOSTJO. PRED UPORABO TEGA NAČINA ZELO POZORNO PREGLEJTE POLARNOST AKUMULATORJA. NE DOVOLITE, DA SE POZITIVNI ALI NEGATIVNI SPONKI DOTAKNETA ALI POVEŽETA MED SEBOJ, SAJ SE BO ZAČEL IZDELEK ISKRITI. TA NAČIN UPORABLJA ZELO VISOK TOK (DO 3000 AMPEROV), KI LAHKO OB NEPRAVILNI UPORABI POVZROČI ISKRENJE IN MOČNO VROČINO. ČE NISTE PREPRIČANI O UPORABI TEGA NAČINA, GA NE POSKUŠAJTE UPORABLJATI IN POIŠČITE PROFESIONALNO POMOČ.

Napajanje vaših naprav USB in 12 V naprav.

Naprava GB251 ima (2) izhodni vrati USB in 12 V izhodna vrata (12 V vrata AUX/vžigalnika). Vključite katerokoli standardno napravo USB ali 12 V napravo (do 15 A) in napravo GB251 preklopite na »on« (vklopljeno), da vključite napajanje svojih naprav.



Vmesnik

1.) Interna stopnja baterije prikazuje stopnjo polnosti interne baterije.

2.) LED lučka za napako Zasveti rdeče, če je zaznana obratna polarnost, ali utripa "vklop" in "izklop" v različnih zaporedjih (od 1 do 6 utripov), da sporoči napake.

3.) Vroča LED sveti enakomerno rdeče; enota je popolnoma pripravljena za obratovanje, vendar se približuje meji zgornje temperature. Utripa rdeče; enota je prevroča za zagon, v tem stanju je na voljo samo svetilka.

4.) Hladna LED sveti enakomerno modro; enota je popolnoma pripravljena za obratovanje, vendar se približuje spodnji meji temperature. Utripa modro; enota je premrzla za zagon, v tem stanju je na voljo samo svetilka.

5.) Pritisnite tipko za vklop, da se enota preklopi na »vklop« in »izklop«.

6.) Lučka LED za napajanje zasveti belo, kadar je enota »vklopljena«. Po 60-sekundnem odštevanju časovne omejitve sveti oranžno, dokler se sponke ne odstranijo iz avtomobilske baterije ali če se GB251 ponovno vklopi in izklopi.

7.) Tipka za način osvetljevanje preklopi ultra svetlo LED luč skozi 7 načinov osvetlitve: 100% > 50% > 10% > SOS > Utripanje > Stroboskopska luč > Izklop

8. Voltmeter / odštevalnik Vgrajen voltmeter odčitava električno napetost baterije vozila za povečanje diagnostike in odpravljanja napak. Voltmeter bo samodejno odčital električno napetost katerekoli baterije (ali baterijskega sistema), ko so baterijske sponke povezane, tudi, če je enota izklopljena. Voltmeter bo odčitaval električno napetost med ~3V in ~30V. Če je vrednost povezane baterije nižja od 3V, potem ne bo prikazano nič. Če je električna napetost tako nizka gre najverjetneje za to, da je na baterijo priključena obremenitev, kot so luči vozila ali klimatski ventilator, katero bi bilo treba pred zagonom vozila izklopiti. Medtem ko je enota vklopljena in ko je zaznana baterija, bo voltmeter prikazal 60-sekundno odštevanje časovne omejitve.

9.) Lučka LED za pospešek zasveti belo, kadar je pospešek aktiviran. Če je enota pravilno povezana, bo GB251 samodejno zaznal baterijo in prešel v način pospeševanje (LED lučka utripa belo, kadar je aktivirana funkcija Ročni preklop).

10.) Tipka za Ročni preklop Za vklop pritisnite in držite tri (3) sekunde). **OPOZORILO: Onemogoča varno zaščito in ročno aktivira pospeševanje »vklop«.** Samo za uporabo, kadar je napetost baterije prenizka, da bi jo bilo mogoče zaznati.

Odpravljanje težav

	Napaka	Razlog/rešitev
⚠	Napaka LED: Neprekinjena LED	Obratna polarnost/Zamenjajte povezave baterije.
	Napaka LED: Utripajoča rdeča w/kabli pravilno povezani	Na akumulatorskih sponkah je zaznan kratek stik./ Baterijo naj pregleda strokovnjak.
	Enkrat (1) utripne	Na akumulatorskih sponkah je zaznan kratek stik./Odstranite vse porabnike, znova priključite sponki na akumulator.
	Dvojna (2) bliskavica	Visoka napetost, zaznana na sponah (GB251 je priključen na napetostni sistem, večji od 24V).
	Štirikratna (4) bliskavica	Napaka pri izteku polnjenja (tj. GB251 se predolgo zaračunava v velikem obsegu)
	Petkratna (5) bliskavica	XGC OUT čez tok (tj. Več kot 15 amperov se črpa iz vrat XGC OUT)
⚡+	Šestkrat (6) Flash	Napaka BMS (sistem za upravljanje akumulatorja). (Napajanje GB251 znova "izklopite" in "vklopite", da ga počistite. Če težava ni odpravljena, se obrnite na podporo strankam)
	Svetleča LED: v redu	Enota je v popolni meri pripravljena za obratovanje, vendar se približuje zgornji meji temperature. / Pustite, da se enota ohladi.
	Svetleča LED: utripanje	Enota je prevroča za zagon, v tem stanju je na voljo samo svetilka. / Pustite, da se enota ohladi.
	Svetleča LED: utripa, nato se vse LED sijalke izklopijo	Enota je preveč vroča za prisilni zagon ali druge funkcije. / Pustite, da se enota ohladi in jo odnesite v hladnejše okolje.
❄	Hladna LED: v redu	Enota je popolnoma pripravljena za obratovanje, vendar se približuje spodnji meji temperature. / Pustite, da se enota segreje.
	Hladna LED: utripanje	Enota je prehladna za zagon, v tem stanju je na voljo samo svetilka / pustite, da se enota ogreje.
	Hladna LED: utripa, nato se vse LED sijalke izklopijo	Enota je preveč hladna za prisilni zagon ali druge funkcije. / Pustite, da se enota segreje in jo odnesite v toplejše okolje.
	Luč za pospeševanje se ne vklop w/kabli pravilno povezani	Povezana baterija ima nižjo vrednost od 3 voltov/Odstranite vse obremenitve in poskusite ponovno ali uporabite način Ročni preklop.

Tehnične specifikacije

Notranja baterija: 137Wh Litijeva ionska baterija	12V (vhod): 12V/5A (14V Maks)
Najvišji dovoljen tok: 3000A	12V (izhod): 12V, 15V Maks
Obratovalna temperatura: -20°C do +50°C	Zaščita ohišja: IP65 (w/zaprti vhodi)
Temperatura pri polnjenju: 0°C do +40°C	Hlajenje: Naravna konvekcija
Temperatura pri shranjevanju: -20°C do +50°C (povp. temp.)	Dimenzije (D x Š x V): 31,75 x 20,83 x 3,39 Centimetri
USB (izhod): 5V, 2.1A	Teža: 6,19 kilogramov (13,65 lb)

Enoletna (1) omejena garancija podjetja One podjetja NOCO

Podjetje NOCO («NOCO») jamči, da je ta izdelek («izdelek») brez napak v materialu in izdelavi v obdobju enega (1) leta od datuma nakupa («garancijsko obdobje»). Za okvare v času garancijskega obdobja bo podjetje NOCO okvarjen izdelek popravilo ali nadomestilo po svoji lastni presoji in na podlagi analize tehnične podpore podjetja NOCO. Zamenjani deli in izdelki bodo novi ali uporabljeni, njihovo delovanje in učinek pa bosta primerljiva z originalnim delom in zanje bo veljalo garancijsko obdobje za preostanek originalnega garancijskega obdobja.

ODGOVORNOST PODJETJA NOCO JE IZRECNO OMEJENA NA ZAMENJAVO ALI POPRAVILO. PODJETJE NOCO NE ODGOVARJA NOBENEMU KUPCU IZDELKA ALI TRETJI OSEBI ZA KAKRŠNOKOLI SPECIALNO, NEPOSREDNO, POSLEDIČNO ALI ODVRAČILNO ŠKODO DO NAJVEČJE Z ZAKONOM DOVOLJENE MERE, VKLJUČNO Z, VENDAR NE OMEJENO NA, IZGUBO DOBIČKA, MATERIALNO ŠKODO ALI OSEBNE POŠKODBE, NA KAKRŠENKOLI NAČIN POVEZANE Z IZDELKOM, NE GLEDE NA TO KAKO JE POVZROČENA, ČEPRAV JE PODJETJE NOCO BILO SEZNAVJENO Z MOŽNOSTJO NASTANKA TAKŠNE ŠKODE. TUKAJ ZAGOTOVLJENA JAMSTVA NADOMEŠČAJO VSA DRUGA JAMSTVA, IZRECNA, NAMIGOVANA, STATUTORNA ALI KAKO DRUGAČE, VKLJUČNO, VENDAR NE OMEJENO NA, NAMIGOVANA JAMSTVA ZA SPOSOBNOST PRODAJE IN SPOSOBNOST ZA DOLOČEN NAMEN, IN TISTA, KI IZHAJAJO IZ SAMEGA POSLA, UPORABE ALI PRODAJE. V PRIMERU, DA KATERIKOLI OD VELJAVNIH ZAKONOV IZREKA GARANCIJE, POGOJE ALI DOLŽNOSTI, KI JIH NI MOGOČE IZKLUČITI ALI SPREMENITI, OSTANE TA ODSTAVEK VELJAVEN V NAJVEČJI MOŽNI MERI, KI JO ZAKON DOVOLJUJE.

Omejena garancija je namenjena izključno prvotnemu kupcu izdelka pri podjetju NOCO ali od trgovca ali distributerja, pooblaščenega pri podjetju NOCO in ni dodeljiva ali prenosna. Za uveljavljanje garancijskega zahtevka mora kupec: (1) zahtevati in pridobiti številko dovoljenja za prodajo ("RMA") vrnjenega izdelka in informacijo o lokaciji za vračilo ("lokacija vračila") oddelka za podporo pri podjetju NOCO, in sicer na elektronskem naslovu support@no.co ali s klicem na telefonsko številko 1.800.456.6626; in (2) poslati izdelek, vključno s številko RMA, računom ali pristojbino za garancijo (pristojbina za garancijo se zahteva samo, če račun ni na voljo) v višini 45% maloprodajne cene okvarjenega izdelka ("pristojbina za garancijo") [RMA vključuje veljaven znesek garancije] na naslov za vračilo. **NE POŠILJAJTE IZDELKA BREZ, DA BI PREDHODNO PRIDOBILI RMA OD ODDELKA ZA PODORO PRI PODJETJU NOCO.**

PRVOTNI KUPEC ODGOVARJA (IN MORA V NAPREJ PLAČATI) VSE STROŠKE EMBALAŽE IN PREVOZA ZA POŠILJANJE IZDELKOV V GARANCIJSKE NAMENE.

NE GLEDE NA ZGORAJ NAVEDENO, OMEJENA GARANCIJA NI VELJAVNA IN SE NE UPORABLJA ZA IZDELKE, KI: (a) jih zlorabljate, s katerimi napačno ravnate, so predmet zlorabe ali nepazljivega ravnanja, nezgode, nepravilne hrambe, ali zaradi delovanja v pogojih izrednega napajanja, temperature, šoka, ali vibracije, izven priporočil podjetja NOCO za varno in učinkovito uporabo; (b) so nepravilno inštalirani, nepravilno delujejo ali so nepravilno vzdrževani; (c) so/so bili predelani brez izrecnega soglasja podjetja NOCO; (d) jih je nekdo, ki ni podjetje NOCO, demontiral, spremenil ali popravil; (e) okvarjeni in so okvare bile sporočene po poteku garancijskega obdobja.

TA OMEJENA GARANCIJA NE VKLJUČUJE: (1) običajne rabe in obrabe; (2) kozmetične škode, ki ne vpliva na funkcionalnost; ali (3) izdelke, na katerih ni serijske številke podjetja NOCO ali pa je ta spremenjena ali uničena.

POGOJI GARANCIJE

Ti pogoji za izdelek veljajo samo v garancijskem obdobju. Garancijo izniči pretečeno časovno obdobje od datuma nakupa (če ni dokaza o nakupu velja pretečeno obdobje od datuma serijske številke) ali pogoji, navedeni zgoraj v dokumentu. Izdelek vrnite z ustrežno dokumentacijo.

Z računom:

1 leto: BREZ doplačila. Z dokazilom o nakupu se garancijsko obdobje začne z datumom nakupa

BREZ računa:

1 leto: BREZ doplačila. BREZ dokazila o nakupu se garancijsko obdobje začne z datumom serijske številke.

Vaš izdelek NOCO lahko registrirate na spletu na naslov: no.co/register. Za vsa vprašanja v zvezi z vašo garancijo ali izdelkom se prosimo obrnite na oddelek za podporo podjetja NOCO (e-pošta in telefonska številka navedena zgoraj) ali pišite na: NOCO Company, na naslovu 30339 Diamond Parkway, #102, Glenwillow, OH 44139 ZDA.

NOCO BOOST[®] MAX[™] GB251+



PERICOL

Ghid de utilizare și garanție



CITITI ȘI AȘIGURAȚI-VĂ CĂ AȚI ÎNȚELES TOATE INFORMAȚIILE REFERITOARE LA SIGURANȚĂ ÎNAINTE DE A UTILIZĂ ACEST PRODUS. Nerespectarea acestor instrucțiuni de siguranță se poate solda cu ELECTROCUTARE, EXPLOZIE, INCENDIU, care pot provoca RĂNIRI GRĂVE, DECES sau PAGUBE MATERIALE.



Electrocutare. Produsul este un dispozitiv electric care poate produce șoc electric și cauza răniri grave. Nu tăiați cablurile electrice. Nu cufundați în apă și nu expuneți la umezeală.



Explozie. Bateriile nesupravegheate, incompatibile sau deteriorate pot exploda dacă sunt utilizate cu produsul. Nu lăsați produsul nesupravegheat în timpul utilizării. Nu încercați să pomiți forțat o baterie defectă sau înghețată. Folosiți produsul doar cu baterii a căror tensiune este cea recomandată. Utilizați produsul în spații bine ventilate.



Incendiu. Produsul este un dispozitiv electric care emite căldură și poate produce arsuri. Nu acoperiți produsul. Nu fumați și nu folosiți surse de scântei electrice sau foc atunci când folosiți produsul. Țineți produsul la distanță de materialele combustibile.



Leziuni oculare. Protejați-vă ochii când folosiți produsul. Bateriile pot să explodeze, aruncând în aer rămășițe rezultate în urma exploziei. Acidul din baterie poate provoca iritarea ochilor și a pielii. În cazul contaminării ochilor sau a pielii, clătiți zona afectată cu apă curată și adresați-vă imediat serviciului pentru controlul substanțelor otrăvitoare.



Gaze explozive. Lucrul în apropierea unei baterii plumb-acid este periculos. Bateriile produc gaze explozive în timpul funcționării normale. Pentru a reduce riscul ca bateria să explodeze, urmați toate instrucțiunile de siguranță, precum și pe cele furnizate de producătorul bateriei și de producătorul oricărui echipament care urmează să fie folosit în apropierea bateriei. Parcurgeți și rețineți toate măsurile de precauție inscripționate pe aceste produse și pe motor.

Română

Pentru informații suplimentare
și asistență, accesați:

www.no.co/support

Atenționări importante privind siguranța

ATENȚIE

Modul manual dezactivează toate măsurile de siguranță. Dacă este utilizat necorespunzător și/sau împotriva recomandărilor noastre de utilizare, el poate duce la vătămări sau deces și va anula garanția dumneavoastră. Pericol de incendiu, de explozie și de arsuri. Nu dezasaamblați, nu zdrobiți, nu încălziți peste 60°C (140°F) și nu incinerati. Acest dispozitiv este destinat utilizării temporare în aer liber și trebuie să aveți suficientă grijă atunci când îl utilizați în condiții de umiditate ridicată.

AVERTIZARE

Nu supraîncărcați bateria internă. Consultați manualul de instrucțiuni. Nu fumați, nu aprindeți chibrituri și nu provocați scânteii în apropierea carcasei alimentatorului. Încărcați bateria internă numai într-o zonă bine ventilată și atunci când nu folosiți aparatul.

ATENȚIE

Risc de rănire a persoanelor. Nu folosiți acest produs având cablul de alimentare sau cablurile bateriei deteriorate în vreun fel. Acest dispozitiv nu este destinat utilizării în interiorul clădirii unei firme de reparații. Acest aparat trebuie să fie depozitat în interior atunci când nu este utilizat. Aparatul nu trebuie depozitat sau lăsat în aer liber atunci când nu este utilizat.

Enunțul 65. Bornele bateriei, clemele și accesoriile aferente conțin substanțe chimice, inclusiv plumb. Aceste materiale sunt cunoscute în Statul California ca substanțe care produc cancer, malformații, precum și alte daune ale organelor reproductive. **Măsuri personale de precauție.** Utilizați produsul doar în conformitate cu utilizarea preconizată. Este necesară prezența unei persoane suficient de aproape pentru a vă auzi și a veni în ajutorul dumneavoastră în caz de urgență. Păstrați în apropiere o rezervă de apă curată și săpun pentru cazul în care vă contaminați cu acid din baterie. Utilizați ochelari de protecție și purtați îmbrăcăminte de protecție când lucrați în apropierea unei baterii. Spălați-vă întotdeauna pe mâini după ce ați manipulat baterii sau materiale aferente acestora. Nu manipulați și nu purtați obiecte din metal, inclusiv unelte, ceasuri sau bijuterii, atunci când lucrați cu baterii. Un obiect metalic căzut pe baterie poate produce scânteii sau crea un scurt circuit care se poate solda cu electrocutare, incendiu sau explozie, producând rănire, deces sau pagube materiale. **Minori.** În cazul în care „Cumpărătorul” intenționează ca produsul să fie folosit de un minor, acesta se declară de acord să furnizeze minorului, înainte de utilizare, instrucțiuni detaliate și atenționări. Responsabilitatea pentru nerespectarea acestei condiții revine exclusiv „Cumpărătorului”, care se declară de acord să despăgubească NÓCO pentru orice utilizare neintenționată sau greșită a produsului de către un minor. **Pericol de asfixiere.** Accesoriile pot prezenta pericol de asfixiere pentru copii. Nu lăsați copiii nesupravegheați în preajma produsului sau a accesoriilor acestuia. Acest produs nu este o jucărie. **Manipulare.** Manipulați cu grijă produsul.

Produsul se poate deteriora în urma unui impact. Nu folosiți produse deteriorate, inclusiv dar fără a se limita la produse cu carcasa crăpată sau cabluri deteriorate. Nu folosiți un produs al cărui cablu de alimentare este deteriorat. Nu manipulați produsul sau orice componentă electrică în apropierea lichidelor. Depozitați și puneți în funcțiune produsul în locuri uscate. Nu puneți în funcțiune produsul dacă acesta este umed. Dacă produsul este deja în stare de funcționare și se umezește, deconectați-l de la baterie și opriți imediat utilizarea. Nu deconectați produsul trăgând de cabluri. Modificări. Nu încercați să schimbați, să modificați sau să reparați piesele produsului. Dezasamblarea produsului poate cauza rănire, deces, sau pagube materiale. Dacă produsul se defectează, nu funcționează corespunzător sau intră în contact cu un lichid, întrerupeți folosirea și contactați NOCO. Orice modificare adusă produsului anulează garanția. **Accesorii.** Acest produs este aprobat pentru utilizare doar cu accesorii NOCO. NOCO nu își asumă nicio responsabilitate pentru siguranța utilizatorului sau pagubele suferite de acesta în cazul utilizării unor accesorii care nu sunt autorizate de NOCO. **Amplasare.** Asigurați-vă că acidul din baterie nu intră în contact cu produsul. Nu puneți în funcțiune produsul într-un loc închis sau într-o zonă insuficient ventilată. Nu așezați bateria pe produs. Așezați cablurile în așa fel încât să evitați deteriorarea accidentală a acestora din cauza componentelor mobile ale vehiculului (inclusiv capota și portierele), ale motorului (inclusiv paletele ventilatorului, curele și roțile de transmisie), sau eventuale situații periculoase care se pot solda cu vătămări sau deces. **Temperatura de funcționare.** Acest produs este proiectat să funcționeze în medii cu temperaturi între -20 °C și 50 °C. Nu îl utilizați la temperaturi care nu se încadrează în limitele indicate. Nu porniți forțat o baterie înghețată. Opriti utilizarea produsului imediat dacă bateria se încălzește excesiv. **Depozitare.** Nu utilizați și nu depozitați produsul în zone cu concentrații mari de praf sau atmosferă încărcată cu materiale în suspensie. Depozitați produsul pe o suprafață plană, sigură, astfel încât să nu fie expus riscului de a cădea. Depozitați produsul într-un loc uscat. Temperatura de depozitare este de -20 °C și 50 °C (temperatură medie de la 0 °C la + 25 °C). Temperatura nu trebuie în niciun caz să depășească 80°C. **Compatibilitate.** Produsul este compatibil doar cu sisteme de baterii cu plumb-acid de 12 volți. Nu încercați să utilizați produsul cu orice alt tip de baterie. Pomirea cu ajutorul bateriilor cu altă compoziție chimică poate provoca leziuni, moarte sau pagube materiale. Vă rugăm să contactați producătorul bateriei înainte de a încerca să porniți bateria. Nu porniți bateria dacă nu sunteți sigur de compoziția chimică sau tensiunea specifice ale bateriei. **Bateria.** Bateria litiu-ion încorporată în produs trebuie înlocuită doar de NOCO și trebuie reciclată sau aruncată la gunoi separat de deșeurile menajere. Nu încercați să înlocuiți bateria singuri și nu manipulați o baterie deteriorată sau care prezintă scurgeri de litiu-ion. Nu aruncați bateria la gunoiul menajer. Aruncarea bateriilor la gunoiul menajer contravine legislației și reglementărilor de mediu statale și federale. Duceți întotdeauna bateriile uzate la centrul local pentru reciclarea bateriilor. Dacă bateria produsului se încălzește excesiv, emite un miros, este deformată, tăiată, prezintă un aspect anormal sau se comportă anormal, opriți imediat utilizarea și contactați NOCO. **Încărcarea bateriei.** Încărcați produsul cu ajutorul încărcătorului auto 12VDC inclus sau cu încărcătorul de priză XG4. Nu utilizați adaptoarele de alimentare generice sau terțe, deoarece acestea pot prezenta un risc de electrocutare serios care poate duce la vătămarea persoanelor, distrugerea dispozitivului sau pagube materiale. Utilizarea cablurilor sau a încărcătoarelor deteriorate sau încărcarea într-un mediu umed poate cauza șocuri electrice. NOCO nu este responsabil de siguranța utilizatorului, deteriorarea dispozitivului sau pagubele materiale atunci când acesta utilizează accesorii sau surse de alimentare care nu sunt aprobate de NOCO. Atunci când utilizați

Încărcătorul de priză XGC4, asigurați-vă că mufa AC este introdusă complet în adaptor înainte de a-l conecta la priză. Adaptorul de alimentare se poate încălzi pe parcursul unei utilizări obișnuite, iar contactul prelungit cu pielea poate provoca leziuni corporale. Asigurați întotdeauna o ventilare corespunzătoare în preajma adaptorului în timpul utilizării. Pentru a asigura durata de funcționare maximă a bateriei, evitați încărcarea produsului mai mult de o săptămână odată, deoarece supraîncărcarea poate reduce durata de funcționare a bateriei. În timp, un produs neutilizat se va descărca și va trebui reîncărcat înainte de utilizare. Deconectați produsul de la sursele de alimentare atunci când nu îl utilizați. Utilizați produsul doar în scopurile prevăzute.

Dispozitive medicale. Produsul poate emite câmpuri electromagnetice. Produsul conține componente magnetice care pot să interfereze cu stimulatoarele cardiace, defibrilatoarele, sau alte dispozitive medicale. Aceste câmpuri electromagnetice pot să interfereze cu stimulatoarele cardiace sau alte dispozitive medicale. Consultați doctorul înainte de a utiliza, în cazul în care folosiți dispozitive medicale, inclusiv stimulatoarele cardiace. Dacă bănuiți că produsul interferează cu un dispozitiv medical, opriți imediat utilizarea produsului și consultați-vă medicul.

Afecțiuni medicale. Dacă suferiți de vreo afecțiune medicală care considerați că ar putea fi afectată de produs, inclusiv dar nu numai atacuri, pierderea memoriei, oboseala ochilor sau dureri de cap, consultați medicul înainte de a utiliza produsul. Folosirea lanternei încorporate de mare putere prezintă risc pentru cei care suferă de fotosensibilitate. Utilizarea lanternei în modul stroboscopic poate cauza declanșarea unor crize în cazul persoanelor care suferă de epilepsie fotosensibilă, ceea ce se poate solda cu vătămări grave sau deces.

Lumina. Nu priviți direct în lumina emisă de lanternă deoarece acest lucru v-ar putea afecta permanent vederea. Produsul este prevăzut cu o lanternă cu LED prefocalizată de mare putere, care emite un fascicul puternic când este setată la valoarea maximă.

Curățarea. Deconectați produsul de la sursa de curent înainte de a începe o operațiune de întreținere sau curățare. Curățați și uscați produsul imediat în cazul în care intră în contact cu lichide sau orice tip de substanță contaminantă. Folosiți o cârpă moale, fără scame (din microfibră). Evitați pătrunderea umezelii în porțiunile cu deschideri.

Mediu exploziv. Respectați toate semnele și instrucțiunile. Nu puneți în funcțiune produsul în zone cu mediu potențial exploziv, inclusiv zonele de alimentare cu combustibil sau cele care conțin substanțe chimice sau particule cum ar fi granule, praf, sau pulberi metalice.

Activități care implică consecințe serioase. Acest produs nu trebuie utilizat în situațiile în care o defecțiune a sa ar putea conduce la vătămări, deces, sau ar putea avea efecte grave asupra mediului.

Interferențe cu frecvențele radio. Produsul este proiectat, testat și realizat pentru a respecta reglementările privind emisiile de frecvențe radio. Astfel de emisii provenind de la produs pot afecta negativ funcționarea altor echipamente electronice, cauzând defectarea acestora.

Număr model: GB251. Acest dispozitiv este conform cu prevederile Părții 15 din Regulamentul FCC. Funcționarea trebuie să respecte următoarele condiții: (1) acest dispozitiv nu trebuie să producă interferențe dăunătoare, și (2) acest dispozitiv trebuie să accepte orice interferență primită, inclusiv interferențe care pot cauza o funcționare nedorită. **NOTA:** Testele efectuate au demonstrat că acest echipament este conform limitelor impuse dispozitivelor digitale din Clasa A, conform Părții 15 din Regulamentul FCC. Aceste limite sunt stabilite pentru a asigura un grad rezonabil de protecție împotriva interferențelor dăunătoare în timpul funcționării echipamentului în regim comercial. Acest echipament generează, utilizează și poate emite unde radio dacă nu este instalat și folosit conform manualului de utilizare, putând produce interferențe dăunătoare comunicațiilor radio. Utilizarea acestui echipament în zone rezidențiale riscă să producă interferențe dăunătoare, caz în care utilizatorul va trebui să remedieze aceste interferențe pe cheltuiala proprie.

Modul de utiliza

Pasul 1: Încărcați dispozitivul GB251.

GB251 vine parțial încărcat direct din cutie și trebuie încărcat complet înainte de utilizare. Conectați GB251 la portul 12V IN utilizând încărcătorul auto 12V DC sau încărcătorul de priză XGC4. Timpul de reîncărcare a unui GB251 va fi diferit în funcție de nivelul său de descărcare și de sursa de alimentare utilizată. Rezultatele reale pot varia din cauza stării bateriei și a nivelului de descărcare.

Când reîncărcați, nivelul de încărcare al bateriei interne este indicat de LED-urile de încărcare. LED-urile se vor aprinde încet intermitent, apoi vor rămâne aprinse pe rând, până când toate LED-urile de încărcare vor fi aprinse. Când bateria este complet încărcată, LED-ul verde pentru 100% va rămâne aprins, iar LED-urile pentru 25%, 50% și 75% se vor stinge. Din când în când, LED-ul pentru 100% va pulsa, indicând faptul că are loc o încărcare de întreținere.

Pasul 2: Conectarea la baterie

Citiți cu atenție și înțelegeți informațiile din manualul de utilizare a vehiculului cu privire la precauțiile specifice și metodele recomandate pentru pornirea vehiculului. Asigurați-vă că ați stabilit tensiunea și compoziția chimică a bateriei, făcând referire la manualul de utilizare a bateriei dvs., înainte de utilizarea produsului. GB251 este utilizat doar pentru pornirea sistemelor de baterii cu plumb-acid de 24V. Înainte de a vă conecta la baterie, verificați dacă aveți un sistem de baterii cu plumb-acid de 24V. GB251 nu este potrivit pentru orice alt tip de baterii. Identificați polaritatea corectă a bornelor bateriei. Borna pozitivă a bateriei este marcată de obicei cu aceste litere sau simboluri (POS, P, +). Borna negativă a bateriei este marcată de obicei cu aceste litere sau simboluri (NEG, N, -). Nu efectuați nicio conexiune la carburator, conducte de combustibil sau piese din plăci metalice subțiri. Instrucțiunile de mai jos sunt pentru un sistem de împământare negativ (cel mai frecvent întâlnit). Dacă vehiculul dvs. reprezintă un sistem de împământare pozitiv (foarte rar întâlnit), consultați manualul vehiculului pentru instrucțiuni de pornire corespunzătoare.

Timpul de
reîncărcare:

5hr

Intensitatea
nominală a
încărcătorului:

56W

Nivelul bateriei interne



25% 50% 75% 100%

1.) Conectați clema roșie la borna pozitivă (POS, P, +) a bateriei și clema neagră la borna negativă (NEG, N, -) a bateriei sau la șasiului vehiculului.

Pasul 3: **Pornirea forțată.**

1.) Asigurați-vă că toți consumatorii autovehiculului (faruri, radio, aer condiționat etc.) sunt opriți înainte de a porni forțat autovehiculul.

2.) Apăsăți butonul de pornire pentru a porni și toate LED-urile vor clipi o dată. Dacă sunteți conectat corespunzător la baterie, LED-ul alb de impuls se va aprinde și LED-urile de încărcare a bateriei vor urma. Din momentul detectării bateriei, va porni o numărătoare inversă de 60 de secunde.

3.) Încercați să porniți autovehiculul. Majoritatea autovehiculelor vor porni imediat. În cazul anumitor autovehicule, poate fi necesar ca dispozitivul GB251 să fie conectat timp de până la 30 de secunde înainte ca acestea să pornească. Dacă autovehiculul nu pornește imediat, așteptați 20-30 de secunde și încercați din nou. Încercați să porniți forțat autovehiculul de maximum cinci (5) ori consecutiv într-un interval de cincisprezece (15) minute. Lăsați dispozitivul GB251 în repaos timp de cincisprezece (15) minute înainte de a încerca să porniți din nou forțat autovehiculul.

4.) După ce ați pornit autovehiculul, deconectați clemele bateriei și îndepărtați dispozitivul GB251.

Pauza de 60 de secunde

O numărătoare inversă de 60 de secunde va începe imediat ce este detectată o baterie. După ce au trecut 60 de secunde, funcția de pornire la rece va fi dezactivată. LED-ul de „boost” se va stinge și ledurile de încărcare a bateriei interne vor indica nivelul curent de încărcare al aparatului. Pentru a reseta funcția de pornire la rece, apăsați butonul de pornire pentru a opri aparatul. Apăsați din nou butonul de pornire pentru a porni aparatul și reluați pornirea la rece.

ATENȚIE!

PAUZĂ DE 60 DE SECUNDE ESTE DEZACTIVATĂ ATUNCI CÂND SE UTILIZEAZĂ MODUL DE ÎNCĂRCARE MANUAL. PUTEREA VA CONTINUA

SĂ FIE FURNIZATĂ, ATÂT TIMP CÂT MODUL MANUAL ESTE ACTIV. PENTRU MAXIMIZAREA NUMĂRULUI DE PORNIRI LA RECE, SE RECOMANDĂ SĂ OPRIȚI ALIMENTATORUL SUPLIMENTAR IMEDIAT DUPĂ CE AUTOVEHICULUL A PORNIT.

Baterii cu tensiune mică și suprascriere manuală a comenzilor

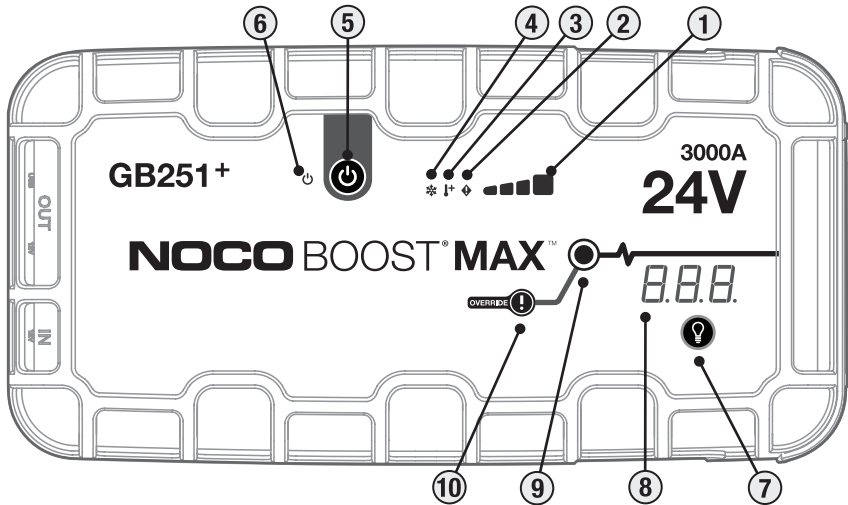
GB251 este proiectat să pornească sistemele de baterii cu plumb-acid de 24 volți descărcate la 2 volți. Dacă bateria dvs. este sub 2 volți, LED-ul de impuls va fi pe „off” (oprit). Acest lucru indică că GB251 nu poate detecta o baterie. Dacă trebuie să porniți o baterie sub 2 volți, există o opțiune de comandă manuală care vă permite să forțați funcția de pornire a bateriei „On”. Dacă bateria este sub 2 volți, LED-ul de impuls va fi oprit și voltmetrul nu va afișa tensiunea.

ATENȚIE!

UTILIZAȚI ACEST REGIM CU ATENȚIE MAXIMĂ. ACEST REGIM ESTE DOAR PENTRU SISTEMELE DE BATERII CU PLUMB-ACID DE 24 VOLȚI. ATÂT OPȚIUNILE ANTISCÂNTEIE, CÂT ȘI PROTECȚIA LA POLARITATE INVERSĂ SUNT DEZACTIVATE. ÎNAINTE DE UTILIZAREA ACESTUI REGIM, ACORDAȚI O ATENȚIE DEOSEBITĂ POLARITĂȚII BATERIEI. NU PERMITEȚI CLEMELOR POZITIVE ȘI NEGATIVE SĂ SE ATINGĂ SAU SĂ SE CONECTEZE ÎNTRE ELE, DEOARECE DISPOZITIVUL VA GENERA SCÂNTEI. ÎN CADRUL ACESTUI REGIM ESTE UTILIZAT UN CURENT DE MARE INTENSITATE (PÂNĂ LA 3000 AMPERI) CARE POATE GENERA SCÂNTEI ȘI TEMPERATURI RIDICATE DACĂ NU ESTE UTILIZAT CORESPUNZĂTOR. DACĂ NU SUNTEȚI SIGUR PRIVIND UTILIZAREA ACESTUI REGIM, NU O FACEȚI ȘI SOLICITAȚI AJUTOR SPECIALIZAT.

Alimentarea dispozitivelor USB și de 12V.

GB251 are (2) porturi USB de ieșire și un port 12V de ieșire (12V AUX/ port brichetă). Conectați orice dispozitiv USB sau dispozitiv de 12V (până la 15A) și porniți GB251 („on”) pentru a începe alimentarea dispozitivelor.



Interfață

1.) Nivelul bateriei interne indică nivelul de încărcare al bateriei interne.

2.) LED-ul pentru eroare Se aprinde roșu dacă polaritatea inversă este detectată sau clipește „pomit” și „oprit” în diferite secvențe (de la 1 la 6 clipește) pentru a transmite condiții de eroare.

3.) LED-ul pentru starea Încins (Hot): Roșu constant: dispozitivul este complet funcțional, însă temperatura se apropie de limita superioară. Roșu intermitent; unitatea este prea fierbinte pentru a porni, doar lanterna este disponibilă în această stare.

4.) LED-ul pentru starea Rece (Cold): Albastru constant: dispozitivul este complet funcțional, însă temperatura se apropie de limita inferioară. Albastru intermitent; unitatea este prea rece pentru a porni, doar lanterna este disponibilă în această stare.

5.) Buton de pornire/ oprire a dispozitivului.

6.) LED-ul de pornire/ oprire luminează alb când dispozitivul este pornit. Se va aprinde în portocaliu după număratoarea inversă de 60 de secunde până când clemele vor fi scoase din bateria mașinii sau GB251 este pornit și pornit din nou.

7.) Butonul pentru modul de iluminare alternează lumina ultra-puternică a LED-ului între 7 moduri de iluminare: 100% > 50% > 10% > SOS > Clipire > Stroboscopic > Oprit



8 . Voltmetru / Cronometru invers Voltmetrul încorporat afișează tensiunea bateriei autovehiculului pentru o diagnosticare și detectare superioară a problemelor. Voltmetrul va afișa automat tensiunea oricărei baterii (sau sistem de baterii) în momentul în care sunt conectate clemele bateriei, chiar dacă dispozitivul este oprit. Voltmetrul va afișa valori de tensiune între ~3V și ~30V. Dacă bateria conectată are sub 3V, nu se va afișa nimic. Dacă tensiunea este atât de mică, este posibil să existe un consumator, cum ar fi farurile și/sau ventilatorul sistemului de aer condiționat, care trebuie oprite înainte de a se încerca pornirea autovehiculului. În timp ce unitatea este pornită și după detectarea unei baterii, voltmetrul va afișa număratoarea inversă de 60 de secunde.

9.) LED-ul pentru pornire luminează alb când sistemul de pornire (Boost) este activ. Dacă dispozitivul este conectat corect la baterie, GB251 va detecta automat bateria și va intra în modul de pornire (LED-ul luminează alb intermitent când este activă funcția de suprascrisere manuală a comenzilor).

10.) Butonul de activare a modului de suprascrisere manuală a comenzilor. Apăsăți și mențineți apăsat timp de trei (3) secunde.

ATENȚIE: Se dezactivează protecția de siguranță și se forțează manual pornirea generatorului auxiliar. Numai pentru utilizare când tensiunea bateriei este prea mică pentru a fi detectată.

Detectarea și remedierea defecțiunilor

Eroare	Motivul/Soluția
LED pentru eroare: Roșu constant	Polaritate inversată/Inversați conexiunile bateriei
LED pentru eroare: Roșu intermitent cu cablurile conectate corect	Scurt circuit detectat la clemele de prindere la baterie. / Solicitați verificarea bateriei de către un profesionist.
Clipește o (1) dată	Scurt circuit detectat la clemele de prindere la baterie. / Deconectați de la toate sarcinile, reconectați clemele la baterie.
 Dublu (2) bliț	Tensiune înaltă detectată la cleme (GB251 este conectat la un sistem de tensiune mai mare de 24V).
Cvadruplu (4) Flash	Eroare de expirare a încărcării (adică GB251 a fost încărcat în bloc de prea mult timp)
Quintuple (5) Flash	XGC OUT peste curent (adică mai mult de 15 amperi sunt trase din portul XGC OUT)
Sextuple (6) Flash	Eroare BMS (Battery Management System). (Alimentarea GB251 „oprit” și „activat” din nou pentru a șterge. Dacă problema persistă contactați asistența pentru clienți)
LED-ul pentru starea încins (Hot): Aprins constant	Dispozitivul este complet funcțional, însă temperatura se apropie de limita superioară. / Lăsați dispozitivul să se răcească.
 LED-ul pentru starea încins (Hot): Intermitent	Unitatea este prea fierbinte pentru a porni, doar lanterna este disponibilă în această stare. / Lăsați unitatea să se răcească.
LED-ul pentru starea încins (Hot): Intermitent, după care toate LED-urile se sting	Dispozitivul este prea încins pentru pornirea forțată sau pentru utilizarea celorlalte funcții. / Lăsați dispozitivul să se răcească și mutați-l într-un mediu mai rece.

❄️	LED-ul pentru starea rece (Cold): Aprins constant	Dispozitivul este complet funcțional, însă temperatura se apropie de limita inferioară. / Lăsați dispozitivul să se încălzească.
	LED-ul pentru starea rece (Cold): Intermitent	Unitatea este prea rece pentru a porni, doar lanterna este disponibilă în această stare / Permiteți unității să se încălzească.
	LED-ul pentru starea rece (Cold): Intermitent, după care toate LED-urile se sting	Dispozitivul este prea rece pentru pornirea forțată sau pentru utilizarea celorlalte funcții. / Lăsați dispozitivul să se încălzească și mutați-l într-un mediu mai cald.
	Lumina pentru pornire nu se aprinde cu cablurile conectate corect	Bateria conectată are tensiunea sub 3 volți/Îndepărtați toți consumatorii, încercați din nou sau folosiți modul de suprascriere manuală a comenzilor.

Specificații tehnice

Bateria internă: 137Wh Litiu ion

Curent nominal de vârf: 3000A

Temperatură de funcționare: între -20°C și +50°C

Temperatură de încărcare: între 0°C și +40°C

Temperatură de depozitare: între -20°C și +50°C (temp. medie)

USB (leșire): 5V, 2,1A

12V (Intrare): 12V/5A (14V Max)

12V (leșire): 12V, 15V Max

Protecție carcasă: IP65 (cu porturi închise)

Răcire: Convecție naturală

Dimensiuni (L x l x Î): 31,75 x 20,83 x 3,39 Centimetri

Greutate: 6,19 kilograme (13,65 lb)

NOCO Garanție limitată timp de un (1) an

Compania NOCO („NOCO”) garantează că acest produs („Produsul”) nu va prezenta defecte ale materialelor sau de fabricație timp de un an (1) de la data achiziționării („Perioada de garanție”). Pentru defectele semnalate în Perioada de garanție, NOCO, după cum va considera de cuviință și în urma analizei tehnice efectuate de NOCO, va remedia sau va înlocui Produsele defecte. Piesele și produsele înlocuitoare vor fi noi sau de calitate corespunzătoare, comparabile din punct de vedere al funcționării și performanței cu piesele originale și garantate pentru perioada de timp rămasă din Perioada de garanție inițială.

RĂSPUNDEREA CARE REVINE NOCO PRIN PREZENTUL DOCUMENT ESTE ÎN MOD EXPRES LIMITATĂ LA ÎNLOCUIRE SAU REPARAȚII. ÎN MĂSURA MAXIMĂ PERMISĂ DE LEGE, NOCO NU RĂSPUNDE ÎN FAȚA NICIUNUI CUMPĂRĂTOR AL PRODUSULUI SAU A UNEI TERȚE PĂRȚI PENTRU DAUNELE SPECIALE, INDIRECTE, CONSECVENTE SAU EXEMPLARE, INCLUSIV DAR FĂRĂ A SE LIMITA LA PIERDERILE DE PROFIT, DAUNELE MATERIALE SAU VĂTĂMĂRILE CORPORALE LEGATE INDIFERENT ÎN CE MOD DE PRODUS, CAUZATE INDIFERENT ÎN CE MOD, CHIAR DACĂ NOCO A AVUT CUNOȘTINȚĂ DESPRE POSIBILITATEA PRODUCERII UNOR ASTFEL DE DAUNE. GARANȚIILE STABILITE PRIN PREZENTUL DOCUMENT ÎNLOCUIESC TOATE CELELALTE GARANȚII EXPRESE, IMPLIICTE, LEGALE SAU DE ALT FEL, INCLUSIV DAR FĂRĂ A SE LIMITA LA GARANȚIILE IMPLICITE PRIVIND VANDABILITATEA ȘI ADECVAREA PENTRU UN ANUMIT SCOP, PRECUM ȘI CELE NĂSCUTE ÎN CURSUL TRANZACȚIONĂRII, UTILIZĂRII SAU PRACTICII COMERCIALE. ÎN CAZUL ÎN CARE UNELE PREVEDERI LEGALE ÎN DOMENIU IMPUN GARANȚII, CONDIȚII SAU OBLIGAȚII CARE NU POT FI EXCLUSE SAU MODIFICATE, PREZENTUL PARAGRAF SE APLICĂ ÎN MĂSURA MAXIMĂ LEGAL POSIBILĂ CONFORM ACESTOR LEGI.

Această Garanție limitată este exclusiv în beneficiul cumpărătorului inițial care a achiziționat Produsul de la NOCO sau de la un comerciant sau distribuitor autorizat NOCO, nefiind nici atribuibilă, nici transferabilă. Pentru exprimarea unei solicitări de garanție, cumpărătorul trebuie: (1) să solicite și să obțină un număr de autorizație pentru returnarea mărfii („RMA”) și informații privind locul de returnare („Locul de returnare”) de la serviciul de asistență clienți NOCO, printr-un e-mail la adresa support@no.co sau printr-un apel telefonic la numărul 1.800.456.6626; și (2) să trimită Produsul, inclusiv numărul RMA, chitanța sau comisionul de garanție (comisionul este necesar doar dacă nu se prezintă chitanța) de 45% din valoarea MSRP (prețul cu amănuntul recomandat de producător) a Produsului defect („Comisionul de garanție”) [RMA va include suma aferentă Comisionului de garanție] la Locul de returnare. NU TRIMITEȚI PRODUSE FĂRĂ A OBȚINE MAI ÎNTÂI NUMĂRUL RMA DE LA SERVICIUL NOCO DE ASISTENȚĂ CLIENȚI.

TOATE COSTURILE DE AMBALARE ȘI TRANSPORT AL PRODUSELOR ÎN SCOPUL EFECTURĂRII SERVICE-ULUI DE GARANȚIE CAD ÎN SARCINA CUMPĂRĂTORULUI INIȚIAL (ȘI TREBUIE ACHITATE ANTICIPAT).

FĂRĂ A ADUCE ATINGERE CELOR DE MAI SUS, ACEASTĂ GARANȚIE LIMITATĂ ESTE NULĂ ȘI NEAPLICABILĂ PRODUSELOR CARE: (a) sunt greșit utilizate, impropriu manipulate, folosite abuziv sau la tensiuni, temperaturi, șocuri sau vibrații extreme care depășesc recomandările NOCO privind utilizarea sigură și eficientă; (b) instalate, operate sau întreținute necorespunzător; (c) sunt/au fost modificate fără consimțământul expres în scris al NOCO; (d) au fost dezasamblate, modificate sau reparate de altcineva decât de NOCO; (e) defectele lor au fost semnalate după încheierea Perioadei de garanție.

ACEASTĂ GARANȚIE LIMITATĂ NU ACOPERĂ: (1) uzura normală; (2) defectele estetice care nu afectează funcționarea; sau (3) Produsele de pe care seria NOCO lipsește, este modificată sau deteriorată.

CONDIȚII DE GARANȚIE LA ORICE DEFECT DE FABRICAȚIE

Aceste condiții se aplică produsului numai în perioada de garanție. Garanția la orice defect de fabricație devine nulă fie la expirarea unui anumit timp de la data achiziției (timpul scurs de la data înscrisă pe numărul de serie, dacă nu există dovada achiziției), fie datorită condițiilor enumerate anterior în acest document. Vă rugăm să returnați produsul cu documentația corespunzătoare.

Cu chitanța de cumpărare:

1 an: Fără nicio taxă. Cu dovada de cumpărare, perioada de garanție începe din ziua în care ați cumpărat produsul.

Fără chitanța de cumpărare:

1 an: Fără nicio taxă. Fără dovada de cumpărare, perioada de garanție începe la data înscrisă pe numărul de serie.

Vă puteți înregistra produsul NOCO online la: no.co/register. Dacă aveți întrebări referitoare la garanție sau produs, contactați serviciul de asistență clienți NOCO (la adresa de e-mail sau numărul de telefon indicate mai sus) sau scrieți la: The NOCO Company, 30339 Diamond Parkway, #102, Glenwillow, OH 44139 USA.

NOCO BOOST[®] MAX[™] GB251+



ОПАСНОСТ

Ръководство за потребителя и Гаранция



ПРОЧЕТЕТЕ И ОСМИСЛЕТЕ ЦЯЛАТА ИНФОРМАЦИЯ ОТНОСНО БЕЗОПАСНОСТТА, ПРЕДИ ДА ИЗПОЛЗВАТЕ ТОВА ИЗДЕЛИЕ. Неспазването на настоящите указания за безопасност може да доведе до **ТОКОВ УДАР, ЕКСПЛОЗИЯ, ПОЖАР**, които могат да причинят **СЕРИОЗНО НАРАНЯВАНЕ, СМЪРТ** или **МАТЕРИАЛНИ ЩЕТИ**.



Токов удар. Изделието е електрическо устройство, което може да предизвика токов удар и да причини сериозно нараняване. Не срязвайте захранващите кабели. Не потапяйте във вода и не мокрете изделието.



Експлозия. Оставените без надзор, несъвместими или повредени акумулаторни батерии могат да избухнат при използване с изделието. Не оставяйте изделието без надзор, докато го използвате. Не се опитвайте да направите външно стартиране, ако акумулаторната батерия е повредена или замръзнала. Използвайте изделието само за батерии с препоръчителния волтаж. Работете с изделието само в добре проветривани помещения.



Пожар. Изделието е електрическо устройство, което отделя топлина и може да предизвика изгаряния. Не покривайте изделието. Не пушете и не използвайте никакви източници на електрическо искрене, докато работите с изделието. Дръжте изделието далеч от горими материали.



Увреждане на очите. Използвайте защита за очите, докато работите с изделието. Акумулаторните батерии могат да избухнат и да разпръснат хвърчащи остатъци. Акумулаторната киселина може да предизвика възпаление на очите и кожата. В случай на замърсяване на очите или кожата изплакнете засегнатия участък с чиста течаща вода и потърсете незабавно медицинска помощ от токсиколог.



Експлозивни газове. Работата в близост до оловно-киселинни батерии е опасна. При нормалната си експлоатация батериите отделят експлозивни газове. За да ограничите риска от експлозия на акумулаторната батерия, спазвайте всички указания и препоръки за безопасност, както и инструкциите на производителя на акумулаторната батерия и производителя на оборудването, предвидено да бъде използвано в близост до батерията. Прегледайте предупредителните маркировки върху тези изделия и върху двигателя.

български

За допълнителна информация
и поддръжка посетете:

www.no.co/support

Важни предупреждения за безопасност

ВНИМАНИЕ

Ръчният режим деактивира всички мерки за безопасност. Ако се използва неправилно и/или в разрез с препоръчаната от нас употреба, това може да доведе до нараняване или смърт и ще анулира Вашата гаранция. Риск от пожар, експлозия и изгаряния. Не разглобявайте, не разбивайте, не нагрявайте над 60°C (140°F) и не изгаряйте. Това устройство е предназначено за временна употреба на открито и когато го използвате при влажни условия, трябва да се използва разумно и предпазливо.

ПРЕДУПРЕЖДЕНИЕ

Не презареждайте вътрешната батерия. Вижте ръководството за употреба. Не пушете, не палете кибрит и не създавайте искра в близост до хранящия блок. Зареждайте вътрешната батерия само в добре проветриво място, когато не се използва.

ВНИМАНИЕ

Риск от нараняване на хора. Не използвайте този продукт, ако хранящият кабел или кабелите на батерията са повредени по някакъв начин. Това устройство не е предназначено за използване в търговски помещения с ремонтна цел. Това устройство е предназначено да се съхранява на закрито, когато не се използва. Това устройство не трябва да се съхранява или оставя на открито, когато не се използва.

Предложение 65. Полусите и изводите на акумулаторните батерии и свързаните с тях принадлежности съдържат химически вещества, включително олово. Тези материали са известни на щата Калифорния като причинители на ракови заболявания и вродени дефекти или други репродуктивни увреждания. **Лични предпазни мерки.** Използвайте изделието само по предназначение. В обсега на чуваемост на Вашия глас или в достатъчна близост трябва да има някой, който да Ви се притече на помощ в случай на спешна нужда. Осигурете в близост наличие на чиста вода и сапун в случай на замърсяване с акумулаторна киселина. Носете пълна защита за очите и защитно облекло, докато работите близо до акумулаторна батерия. След работа с акумулаторни батерии и свързаните с тях материали винаги си измивайте ръцете. При работа с акумулаторни батерии не използвайте и не носете метални предмети, включително: инструменти, часовници или накити. Ако метален предмет падне върху акумулатор, той може да отдели искри или да предизвика късо съединение и да доведе до токов удар, пожар, експлозия, които могат да предизвикат нараняване, смърт или материални щети. **Непълнолетни.** Ако „Купувачът“ е предвидил изделието да се използва от непълнолетно лице, закупилият го възрастен приема да осигури подробни указания и предупреждения за всички непълнолетни, преди те да го използват. Пълната отговорност при неспазване на това изискване се поема от „Купувача“, който се

съгласява да обезщети NOCO за всяко непреднамерено или злонамерено използване от непълнолетно лице. **Опасност от задушаване.** Принадлешностите могат да представляват опасност от задушаване за деца. Не оставяйте деца без надзор с изделието или негови принадлежности. Изделието не е играчка. **Работа.** Работете внимателно с изделието. При удяране на изделието то може да се повреди. Не използвайте повредено изделие, включително, но не само, с пукнатини по корпуса или повредени кабели. Не използвайте изделието с повреден захранващ кабел. Влагата и течностите могат да повредят изделието. Не работете с изделието или каквито и да било електрически компоненти в близост до течности. Съхранявайте изделието и работете с него в сухи помещения. Не работете с изделието, ако е намокрено. Ако изделието вече работи и бъде намокрено, го изключете от акумулаторната батерия и прекратете незабавно употребата му. Не изключвайте изделието, като дърпате кабелите. Модификации. Не се опитвайте да промените, модифицирате или ремонтирате никакви части на изделието. Разглобяването на изделието може да доведе до нараняване, смърт или материални щети. Ако изделието се повреди, не работи изправно или влезе в контакт с течности, прекратете употребата му и се свържете с фирма NOCO. Всякакви промени по изделието водят до анулиране на гаранцията. **Принадлешности.** Това изделие е одобрено за употреба само с принадлежности от NOCO. NOCO не носи отговорност за безопасността или щети на потребители при използване на принадлежности, които не са одобрени от NOCO. **Местоположение.** Не допускайте контакт на изделието с акумулаторна киселина. Не работете с изделието в затворени помещения или в помещения с ограничено проветрение. Не поставяйте акумулаторни батерии върху изделието. Прекарвайте кабелите така, че да избегнете случайно повреждане от движещи се части на автомобила (включително капаци и врати), движещи се части на двигателя (включително лопатките на вентилатора, ремъци и ремъчни шайби) или те да не създават опасност, която може да доведе до нараняване или смърт. **Работна температура.** Изделието е проектирано за работа при температура на околната среда от -20 °C до 50 °C. Не работете с него при температури извън този диапазон. Не стартирайте автомобила от външен източник, ако акумулаторната батерия е замръзнала. Прекратете незабавно употребата на изделието, ако акумулаторната батерия се загрее прекалено. **Съхранение.** Не използвайте и не съхранявайте изделието в помещения с висока концентрация на прах или материали, разпространяващи се из въздуха. Съхранявайте изделието върху равни, сигурни повърхности, така че да няма условия за падане. Съхранявайте изделието в сухо помещение. Температурата на съхранение е от -20 °C до 50 °C (средна температура от 0 °C до +40 °C). Никога и при никакви обстоятелства не допускайте тя да превиши 80 °C. **Съвместимост.** Този продукт е съвместим единствено с 12-волтови оловно-киселинни акумулатори. Не се опитвайте да използвате изделието с други типове акумулатори. Аварийното стартиране на акумулатори с друг химичен състав може да доведе до нараняване, смърт или увреждане на имущество. Свържете се с производителя на акумулатора, преди да се опитате да го стартирате аварийно. Не стартирайте аварийно акумулатор, ако не сте сигурни какъв е неговият химичен състав или напрежение. **Акумулаторната батерия.** Вградената литиево-йонна батерия на изделието трябва да се подменя само от NOCO и задължително трябва да се предава за рециклиране или изхвърля отделно от домакинските отпадъци. Не се опитвайте да смените батерията сами и не работете с повредена или протекла литиево-йонна батерия. Никога не изхвърляйте батерии в домакинските отпадъци.

Изхвърлянето на батерии в домакинските отпадъци е незаконно съгласно щатските и федералните закони и нормативни разпоредби за опазване на околната среда. Винаги предавайте използваните батерии в местния център за рециклиране на батерии. Ако батерията на изделието е прекалено гореща, излъчва миризма, деформирана е, пробита или показва признаци на ненормално състояние, незабавно прекратете всякаква употреба и се свържете с NOCO. **Зареждане на батерията.** Зареждайте изделието с предоставеното 12 V DC зарядно устройство за автомобил или със стенното зарядно устройство XGC4. Не използвайте захранващи адаптери без марка или от други производители, тъй като те могат да представляват сериозен електрически риск, който може да доведе до нараняване на хора и увреждане на устройства и собственост. Използването на повредени кабели или зарядни устройства или зареждането при наличие на влага може да доведе до удар. NOCO не носи отговорност за безопасността на потребителя, повреда на устройството или увреждане на имущество при използване на аксесоари или консумативи, които не са одобрени от NOCO. Когато използвате стенното зарядно устройство XGC4, се уверявайте, че щепселът е влязъл докрай в адаптера, преди да го включите в контакта. При нормална употреба захранващият адаптер може да загрее, а продължителният досег с кожата може да причини телесни наранявания. Винаги осигурявайте достатъчно проветрение около захранващия адаптер, когато го използвате. За да осигурите максимален живот на батерията, избягвайте да зареждате изделието в продължение на повече от една седмица, тъй като прекомерно дългото зареждане може да съкрати живота на батерията. Ако изделието не се използва, с течение на времето то се разрежда и трябва да се зареди преди употреба. Когато не се използва, изключвайте изделието от източника на електричество. Използвайте изделието само по предназначение. **Медицински уреди.** Изделието може да излъчва електромагнитни полета. Изделието съдържа магнитни компоненти, които могат да влияят на работата на кардиостимулатори, дефибрилатори или други медицински уреди. Тези електромагнитни полета могат да пречат на работата на кардиостимулатори или други медицински уреди. Консултирайте се с личния си лекар, преди да използвате изделието, ако имате някакво медицинско устройство, включително кардиостимулатор. Ако подозирате, че изделието пречи на работата на медицински уред, незабавно спрете употребата му и се консултирайте с личния си лекар. **Медицински състояния.** Ако имате някакво заболяване, за което смятате, че може да бъде повлияно от изделието, включително, но без да се ограничава до, припадъци, загуба на съзнание, преумора на очите или главоболие, преди да използвате изделието се консултирайте с личния си лекар. Използването на вградено фенерче с висока мощност поражда опасност от светочувствителност. Използването на фенерчето в стробоскопичен режим може да причини припадъци у лица с фоточувствителна епилепсия, което може да доведе до сериозно нараняване или смърт. **Фенерче.** Директното гледане в мигачата светлина може да доведе до трайно увреждане на очите. Изделието е снабдено с предварително фокусирана LED лампа с висока мощност, която излъчва мощен лъч на най-високата настройка. **Почистване.** Изключете захранването на изделието, преди да се опитате да го обслужвате или почиствате. Почистете и подсушете незабавно изделието, ако влезе в контакт с течност или други замърсители. Използвайте мека (микрофибърна) кърпа, непускаща власинки. Не допускайте проникване на влага в отворите. **Експлозивни атмосфери.** Спазвайте всички предупредителни знаци и указания. Не работете с изделието в помещения с потенциално експлозивна

атмосфера, включително в зони за зареждане с гориво или зони с наличие на химикали или частици като зърно, прах или метални прахове. **Дейности с повишен риск.** Това изделие не е предназначено за използване в случаи, в които отказът на изделието може да доведе до нараняване, смърт или тежки щети за околната среда. **Радиочестотни смущения.** Изделието е проектирано, тествано и произведено в съответствие с нормативните разпоредби относно радиочестотните емисии. Такива емисии от изделието могат да се отразят негативно на работата на друго електронно оборудване и да доведат до неизправно функциониране на същото. **Номер на модела: GB251** Това устройство отговаря на изискванията на Част 15 от Правилника на FCC. Работата с него трябва да отговаря на следните две условия: (1) устройството не трябва да предизвиква вредни смущения и (2) устройството трябва да приема всички получавани смущения, включително и такива, които могат да доведат до нежелани промени в работата. **ЗАБЕЛЕЖКА:** Настоящото оборудване е тествано и е установено, че съответства на ограниченията за цифрово устройство от клас А съгласно Част 15 от Правилника на FCC. Тези ограничения са предназначени да осигурят разумна защита срещу вредни смущения, когато оборудването се експлоатира в търговска среда. Оборудването генерира, използва и може да излъчва радиочестотна енергия и, ако не е монтирано и използвано в съответствие с ръководството за експлоатация, може да предизвика вредни смущения в радиокомуникациите. Експлоатацията на това оборудване в жилищни райони може да причини вредни смущения; в такъв случай потребителят е длъжен да отстрани смущенията за собствена сметка.

Начин на употреба

Стъпка 1: Зареждане на GB251.

GB251 се продава с частичен заряд и преди употреба трябва да бъде напълно зареден. Свържете GB251 с предоставеното зарядно устройство за автомобил 12 V DC или със стенното зарядно устройство XGC4 към порта 12 V IN. Времето за зареждане на GB251 е различно в зависимост от степента на разреждане и използвания източник на енергия. Действителните резултати могат да варират в зависимост от състоянието на батерията и степента на разреждане.

При презареждане нивото на зареждане на вътрешната батерия се отчита от LED индикаторите за заряда. LED индикаторите мигат бавно (On и Off) и светват с постоянна светлина, докато и четирите LED индикатора за заряда не светнат постоянно. Когато батерията е напълно заредена, зеленият LED индикатор за 100% свети постоянно, а LED индикаторите за 25%, 50% и 75% заряд се изключват. От време на време зеленият LED индикатор за 100% започва да мига като индикация, че се осъществява поддържащо зареждане.

Време за презареждане:	Номинален ток на зарядното устройство:
5hr	56W

Ниво на вътрешната батерия



Стъпка 2: **Свързване към батерията.**

Внимателно прочетете и разберете ръководството за експлоатация на автомобила относно специфичните предпазни мерки и препоръчителните начини за аварийно стартиране на автомобила. Преди да използвате това изделие, не забравяйте да определите напрежението и химичния състав на акумулатора, като прочетете това в ръководството на собственика за експлоатация на акумулатора. GB251 е предназначен единствено за аварийно стартиране на 24-волтови оловно-киселинни акумулатори. Преди да свържете изделието към акумулатора, проверете дали акумулаторът е 24-волтов оловно-киселинен. GB251 не е подходящ за друг тип акумулатори. Определете правилния поляритет на клемите на акумулатора. Положителната клема на акумулатора обикновено е отбелязана с буквите POS или P, или символа "+". Отрицателната клема на акумулатора обикновено е отбелязана с буквите NEG или N, или символа "-". Не правете никакви връзки с карбуратора, горивните тръби или ламаринените части. Указанията по-долу са за отрицателно заземена система (най-често използваната). Ако Вашето превозно средство е с положително заземена система (много рядко), вижте ръководството на автомобила за правилните указания за аварийно стартиране.

1.) Свържете положителната (червена) клема на батерията към положителния (POS, P, +) извод на батерията, а отрицателната (черна) клема на батерията към отрицателния (NEG, N, -) извод на батерията или шасито на автомобила.

Стъпка 3: **Външно стартиране.**

1.) Уверете се, че всички консуматори на мощност на автомобила (фарове, радио, климатик и др.) са изключени, преди да опитате да стартирате автомобила с външното пусково устройство.

2.) Натиснете бутона за включване, за да започнете аварийното стартиране, и всички LED индикатори ще премигнат веднъж. Ако свързването към акумулатора е правилно, белият LED индикатор за подаване на ток ще светне, а LED индикаторите за зареждане на акумулатора ще светват един след друг. Веднага щом бъде открита батерия, ще започне обратно броене от 60 секунди, преди подаването на ток да прекъсне.

3.) Опитайте да стартирате автомобила. Повечето автомобили стартират веднага. При някои автомобили може да е нужно GB251 да остане свързан до 30 секунди, преди да стартира. Ако автомобилът не стартира веднага, изчакайте 20-30 секунди и опитайте отново. Не правете повече от 5 (пет) последователни опита за външно стартиране за период от 15 (петнадесет) минути. Оставете GB251 в покой за 15 (петнадесет) минути, преди да направите нов опит за външно стартиране на автомобила.

4.) След като двигателят на автомобила стартира, разкачете щипките от батерията и отстранете GB251.

60-секундно време на изчакване

След като батерията бъде засечена, ще започне 60-секундно обратно отброяване. След изтичането на 60 секунди функцията за бързо стартиране ще се деактивира. LED индикаторът за усилване ще се изключи, а LED индикаторите за вътрешен заряд на батерията ще покажат текущото ниво на зареждане на устройството. За да нулирате функцията за бързо стартиране, натиснете бутона за включване/изключване, за да изключите устройството. Натиснете отново бутона, за да включите устройството и да стартирате наново функцията за бързо стартиране.

ВНИМАНИЕ.

60-СЕКУНДНОТО ВРЕМЕ НА ИЗЧАКВАНЕ Е ИЗКЛЮЧЕНО ПРИ ИЗПОЛЗВАНЕ НА РЪЧНИЯ РЕЖИМ НА ПОЕМАНЕ НА КОНТРОЛ. ДОКАТО РЪЧНИЯТ РЕЖИМ НА КОНТРОЛ Е АКТИВЕН, СНАБДЯВАНЕТО С ЕЛЕКТРИЧЕСТВО ЩЕ ПРОДЪЛЖИ. ЗА ДА УВЕЛИЧИТЕ ДО МАКСИМУМ БРОЯ БЪРЗИ СТАРТИРАНИЯ, СЕ ПРЕПОРЪЧВА ДА ИЗКЛЮЧИТЕ УСИЛВАЩОТО УСТРОЙСТВО ВЕДНАГА СЛЕД СТАРТИРАНЕ НА АВТОМОБИЛА.

Силно разредени акумулаторни батерии и ръчно задействане

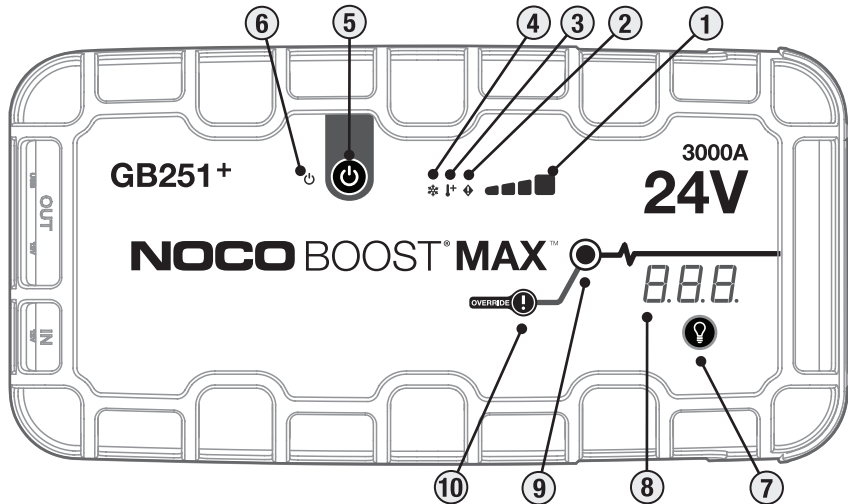
GB251 е предназначен за аварийно стартиране на 24-волтови оловно-киселинни акумулатори, чието напрежение е спаднало до 2 волта. Ако напрежението на акумулатора е под 2 волта, LED индикаторът за подаване на ток ще бъде изключен. Това показва, че GB251 не може да отчете наличието на батерия. Ако трябва да извършите аварийно стартиране на акумулатор с напрежение под 2 волта, има режим на ръчно поемане на контрол, който Ви позволява да включите принудително функцията за аварийно стартиране. Ако напрежението на акумулатора е под 2 волта, LED индикаторът за подаване на ток ще е изключен, а волтметърът няма да показва напрежение.

ВНИМАНИЕ.

ИЗПОЛЗВАЙТЕ ТОЗИ РЕЖИМ С ИЗКЛЮЧИТЕЛНО ВНИМАНИЕ. ТОЗИ РЕЖИМ Е ЕДИНСТВЕНО ЗА 24-ВОЛТОВИ ОЛОВНО-КИСЕЛИННИ АКУМУЛАТОРИ. ПРИ НЕГО СА ДЕАКТИВИРАНИ ЗАЩИТНИТЕ ФУНКЦИИ ЗА ПРЕДПАЗВАНЕ ОТ ИСКРИ И ЗА ОБРАТЕН ПОЛЯРИТЕТ. ПРЕДИ ИЗПОЛЗВАНЕ НА ТОЗИ РЕЖИМ ВНИМАТЕЛНО ПРОВЕРЕТЕ ПОЛЯРИТЕТА НА АКУМУЛАТОРА. НЕ ПОЗВОЛЯВАЙТЕ ПОЛОЖИТЕЛНАТА И ОТРИЦАТЕЛНАТА КЛЕМА НА БАТЕРИЯТА ДА СЕ ДОКОСВАТ, ТЪЙ КАТО ИЗДЕЛИЕТО ЩЕ ПРОИЗВЕДЕ ИСКРИ. ПРИ ТОЗИ РЕЖИМ СЕ ИЗПОЛЗВА МНОГО СИЛЕН ТОК (ДО 3000 АМПЕРА), КОИТО МОЖЕ ДА ПРЕДИЗВИКА ПОЯВАТА НА ИСКРИ И ВИСОКА ТОПЛИНА, АКО НЕ СЕ ИЗПОЛЗВА ПРАВИЛНО. АКО НЕ СТЕ СИГУРЕН КАК СЕ ИЗПОЛЗВА ТОЗИ РЕЖИМ, НЕ СЕ ОПИТВАЙТЕ ДА ГО ИЗПОЛЗВАТЕ И ПОТЪРСЕТЕ ПРОФЕСИОНАЛНА ПОМОЩ.

Подаване на напрежение към USB и 12-V устройства.

GB251 има (2) изходящи USB порта и един изходящ 12-V порт (12-V AUX/порт за запалка). Включете стандартно USB устройство или 12-V устройство (до 15 A) и поставете GB251 в позиция „включено“, за да започнете да подавате напрежение към устройството.



интерфейс

1.) Ниво на вътрешната батерия Указва нивото на зареждане на вътрешната батерия.

2.) LED индикатор за грешка Светва в червено, ако бъде открита обратна полярност или мига „включено“ и „изключено“ в различни последователности (от 1 до 6 мига), за да предаде условията за грешка.

3.) LED индикатор за загряване Свети постоянно в червено; изделието е напълно изправно, но доближава горната гранична температура. Мигащо червено; Устройството е прекалено горещо за стартиране, само фенерчето е налично в това състояние.

4.) LED индикатор за студ Свети постоянно в синьо; изделието е напълно изправно, но доближава долната гранична температура. Мигащо синьо; Устройството е твърде студено, за да започне старт, само фенерчето е налично в това състояние.

5.) Бутон за захранването Натискайте го, за да включите и изключите изделието.

6.) LED индикатор за захранването Свети в бяло, когато изделието е включено (On). Ще свети в оранжево след 60-секундното обратно отброяване, докато скобите бъдат премахнати от акумулатора на автомобила или GB251 бъде включен отново и отново включен.

7.) Бутон за режима на фенерчето Превключва свръх ярката LED лампа през 7 режима на светене: 100% > 50% > 10% > SOS > Мигане > Стробоскоп > Изкл

8 . Волтметър / таймер за обратно отброяване Вграденият волтметър отчита напрежението на акумулаторната батерия на автомобила за подобряване на диагностиката и отстраняването на неизправности. Волтметърът отчита автоматично напрежението на всяка акумулаторна батерия (или система от батерии), когато са свързани щипките за батерията, дори когато захранването на изделието е изключено. Волтметърът отчита напрежение между ~3 V и ~30 V. Ако напрежението на свързаната батерия е под 3 V, не се отчита нищо. Ако напрежението е толкова ниско, вероятно към батерията има включени консуматори, като фарове или променливотоков вентилатор, които трябва да бъдат изключени, преди да се опитате да стартирате автомобила. Докато уредът е включен и след като бъде открита батерия, волтметърът ще покаже 60-секундното обратно отброяване.

9.) LED индикатор за допълнителното напрежение Свети в бяло, когато е активен режимът с допълнително напрежение (Boost). Ако изделието е свързано правилно към акумулаторна батерия, GB251 установява автоматично наличието на батерия и превключва в режим Boost (LED индикаторът мига в бяло, когато е активна функцията за ръчно задействане).

10.) Бутон за ръчно задействане За да активирате режима, натиснете и задръжте бутона за 3 (три) секунди. **ПРЕДУПРЕЖДЕНИЕ:** Изключва защитните функции и превключва принудително ръчно на режим Boost. Само за използване, когато напрежението на батерията е твърде ниско, за да бъде открито.

Отстраняване на проблеми

	Грешка	Причина/Решение
⚠	LED индикатор за грешки: Постоянно червен	Разменен поляритет Разменете свързането на акумулаторната батерия.
	LED индикатор за грешки: Мига в червено при правилно свързани кабели	Засечено е късо съединение на клемите на батерията. / Нека батерията да бъде проверена от професионалист.
	Единично (1) премигване	Засечено е късо съединение на клемите на батерията. / Отстранете всички товари и свържете отново клемите към батерията.
	Двойна (2) светкавица	Високо напрежение, открито при скоби (GB251 е свързан към система за напрежение, по-голямо от 24V).
	Четворна (4) светкавица	Грешка при изчакване на зареждането (т.е. GB251 се зарежда прекалено дълго)
	Петкратна (5) светкавица	XGC OUT над тока (т.е. повече от 15 ампера се изтеглят от порта XGC OUT)
	Шесткратен (6) Flash	Неизправност на BMS (система за управление на батерията). (Захранване GB251 отново е „изключено“ и „включено“, за да изчистите. Ако проблемът продължава, свържете се с екипа за поддръжка на клиенти)
!+	LED индикатор за загряване: Свети постоянно	Изделието е напълно изправно, но доближава горната гранична температура. / Оставете изделието да се охлади.
	LED индикатор за загряване: Мига	Устройството е твърде горещо, за да започне старт, само фенерчето е налично в това състояние. / Оставете устройството да се охлади.
	LED индикатор за загряване: Мига, след което всички LED светлини угасват	Изделието е прекалено нагорещено за външно стартиране или използване на останалите функции. / Оставете изделието да се охлади и го изнесете на по-хладно място

❄️	LED индикатор за студ: Свети постоянно	Изделието е напълно изправно, но доближава долната гранична температура. / Оставете изделието да се затопли.
	LED индикатор за студ: Мига	Устройството е твърде студено, за да започне старт, само фенерчето е налично в това състояние / Оставете устройството да се загрее.
	LED индикатор за студ: Мига, след което всички LED светлини угасват	Изделието е прекалено студено за външно стартиране или използване на останалите функции. / Оставете изделието да се затопли и го преместете на по-топло място.
	Сигналят за режим Boost не светва при правилно свързани кабели	Свързаната батерия е паднала под 3 V/Изключете всички товари и опитайте отново или използвайте режима на ръчно задействане.

Технически спецификации

Вътрешна батерия: 137Wh Литиево-йонна	12V (вход): 12V/5A (14V Макс)
Номинален пиков ток: 3000A	12V (изход): 12V, 15V Макс
Работна температура: -20°C до +50°C	Клас на защита на корпуса: IP65 (със затворени портове)
Температура на зареждане: 0°C до +40°C	Охлаждане: Естествена конвекция
Температура на съхранение: -20°C до +50°C (ср. темп.)	Размери (Д x Ш x В): 31,75 x 20,83 x 3,39 Сантиметри
USB (изход): 5 V, 2,1 A	Тегло: 6,19 килограми (13,65 lb)

NOCO – Ограничена гаранция за 1 (една) година

Компанията NOCO („NOCO“) гарантира, че това изделие („Изделието“) няма да покаже дефекти в материалите и изработката за период от 1 (една) година от датата на закупуване („Гаранционен период“). При дефекти, докладвани по време на Гаранционния период, NOCO ще осигурява, по собствено усмотрение и след анализ от страна на Отдела за техническа поддръжка на NOCO, ремонт или подмяна на дефектните изделия. Частите и изделията за подмяна ще бъдат нови или добре поддържани използвани такива, сравними по функционални възможности и работни параметри с оригиналната част и гарантирани за остатъка от първоначалния Гаранционен период.

ОТГОВОРНОСТТА НА NOCO ПО СИЛАТА НА НАСТОЯЩОТО Е ИЗРИЧНО ОГРАНИЧЕНА ДО ПОДМЯНА ИЛИ РЕМОТ. ДО МАКСИМАЛНАТА СТЕПЕН, РАЗРЕШЕНА ПО ЗАКОН. NOCO НЕ НОСИ ОТГОВОРНОСТ ПРЕД НИКОИ КУПУВАЧ НА ИЗДЕЛИЕТО ИЛИ НИКОЯ ТРЕТА СТРАНА ЗА НИКАКВИ СПЕЦИАЛНИ, КОСВЕНИ, ПОСЛЕДВАЩИ ИЛИ НАКАЗАТЕЛНИ ЩЕТИ, ВКЛЮЧИТЕЛНО, НО БЕЗ ДА СЕ ОГРАНИЧАВАТ ДО, ПРОПУСНАТИ ПЕЧАЛБИ, МАТЕРИАЛНИ ЩЕТИ ИЛИ ТЕЛЕСНИ ПОВРЕДИ, СВЪРЗАНИ ПО КАКЪВТО И ДА БИЛО НАЧИН С ИЗДЕЛИЕТО, НЕЗАВИСИМО ОТ КАКВО СА ПРИЧИНЕНИ И ДОРИ АКО НА NOCO Е БИЛА ИЗВЕСТНА ВЪЗМОЖНОСТТА ЗА НАСТЪПВАНЕ НА ТАКИВА ЩЕТИ. ОПРЕДЕЛЕНИТЕ ТУК ГАРАНЦИИ ЗАМЕСТВАТ ВСИЧКИ ДРУГИ ГАРАНЦИИ, ИЗРИЧНИ, ПОДРАЗБИРАЩИ СЕ, УСТАНОВЕНИ ПО ЗАКОН ИЛИ ПО ДРУГ НАЧИН, ВКЛЮЧИТЕЛНО, НО БЕЗ ДА СЕ ОГРАНИЧАВАТ ДО, ПОДРАЗБИРАЩИТЕ СЕ ГАРАНЦИИ ЗА ПРОДАВАЕМОСТ ИЛИ ПРИГОДНОСТ ЗА КОНКРЕТНИ ЦЕЛИ, КАКТО И ГАРАНЦИИТЕ, ПРОИЗТИЧАЩИ ОТ ОБИЧАЙНАТА ДЕЛОВА ПРАКТИКА, ОБИЧАЙТЕ ИЛИ ТЪРГОВСКАТА ПРАКТИКА. В СЛУЧАИ ЧЕ НИКАКВИ ПРИЛОЖИМИ ЗАКОНИ НАЛАГАТ ГАРАНЦИИ, УСЛОВИЯ ИЛИ ЗАДЪЛЖЕНИЯ, КОИТО НЕ МОГАТ ДА БЪДАТ ИЗКЛЮЧЕНИ ИЛИ ПРОМЕНЕНИ, ТОЗИ ПАРАГРАФ ВАЖИ В МАКСИМАЛНАТА СТЕПЕН, РАЗРЕШЕНА ОТ ВЪПРОСНИТЕ ЗАКОНИ.

Настоящата Ограничена гаранция се предоставя единствено в полза на първоначалния купувач на Изделието от NOCO или от одобрен от NOCO търговец или дистрибутор и не може да се прехвърля или прехвърля. За да предяви гаранционна претенция, купувачът трябва: (1) да поиска и получи номер на Съгласие за връщане на стока („RMA“) и информация за Мястото на връщане („Return Location“ - Място на връщане) от Отдела по поддръжката на NOCO чрез имейл на адрес support@no.co или чрез обаждане на телефон 1-800-456-6626; и (2) да изпрати Изделието, заедно с номера на RMA, касова бележка или гаранционна такса (таксата се изисква само, ако не бъде представена касова бележка) от 45% от препоръчаната от производителя цена на дребно (MSRP) на дефектното Изделие („Гаранционна такса“) [в RMA се посочва приложимата сума на гаранционната такса] до Мястото на връщане. НЕ ИЗПРАЩАЙТЕ ИЗДЕЛИЕТО, БЕЗ НАИ-НАПРЕД ДА СТЕ ПОЛУЧИЛИ RMA ОТ ОТДЕЛА ПО ПОДДРЪЖКАТА НА NOCO.

ПЪРВОНАЧАЛНИЯТ КУПУВАЧ НОСИ ОТГОВОРНОСТ ЗА (И ТРЯБВА ДА ПРЕДПЛАТИ) ВСИЧКИ РАЗХОДИ ЗА ОПАКОВАНЕТО И ТРАНСПОРТИРАНЕТО НА ИЗДЕЛИЯТА, ДОСТАВЯНИ ЗА ГАРАНЦИОННО ОБСЛУЖВАНЕ.

НЕЗАВИСИМО ОТ ГОРНОТО, НАСТОЯЩАТА ОГРАНИЧЕНА ГАРАНЦИЯ Е НЕВАЛИДНА И НЕ ВАЖИ ЗА ИЗДЕЛИЯ, КОИТО: (а) са използвани злоумишлено, неправилно, станали са обект на злоупотреба или небрежно боравене, злоупотреба, неправилно съхранение при условия на екстремно напрежение, температура, удари или вибрация, надвишаващи препоръките на NOCO за безопасно и ефикасно използване; (б) са инсталирани, експлоатирани или обслужвани неправилно; (в) са били модифицирани без изрично писмено съгласие от NOCO; (г) са били разглобени, променени или ремонтирани не от NOCO, а от друга страна; (д) са с дефекти, за които е съобщено след Гаранционния период.

ТАЗИ ОГРАНИЧЕНА ГАРАНЦИЯ НЕ ПОКРИВА: (1) нормалното износване и похабяване; (2) козметични недостатъци, които не влияят на изправната работа; или (3) Изделия с липсващ, променен или изтрит сериен номер на NOCO.

УСЛОВИЯ НА УЛЕСНЯВАЩАТА ГАРАНЦИЯ

Тези условия важат за продукта само по време на гаранционния период. Улесняващата гаранция става невалидна или с изтичане на времето от датата на закупуване (изминало време от датата на серийния номер, ако няма доказателство за покупка), или при условията, изброени по-нагоре в настоящия документ. Връщайте продукта със съответната документация.

С документ за покупка:

1 година: БЕЗ заплащане. С доказателство за покупка гаранционният срок започва от датата на покупката

БЕЗ документ за покупка

1 година: БЕЗ заплащане. Без доказателство за покупка гаранционният срок започва от датата на серийния номер.

Можете да регистрирате своето изделие от NOCO онлайн на адрес: no.co/register. Ако имате въпроси относно гаранцията или изделието, обърнете се към Отдела по поддръжката на NOCO (на имейл адреса и телефонния номер по-горе) или пишете на адрес: The NOCO Company, at 30339 Diamond Parkway, #102, Glenwillow, OH 44139 USA.

NOCO BOOST[®] MAX[™] GB251+



OHTLIK!

Kasutusjuhend & Garantii



LUGEGE HOOLIKALT LÄBI KOGU OHUTUSTEAVE ENNE TOOTE KASUTAMIST. Juhtnööride eiramine võib lõppeda ELEKTRISOKI, PLAHVATUSE, TULEKAHJUGA, mis võib tekitada TOSISEID VIGASTUSI, LÕPPEDA SURMAGA või VARALISE KAHJUGA.



Elektrišokk. Toode on elektriline seade, mis võib anda elektrišoki ja põhjustada tõsiseid vigastusi. Ärge löigake toitejuhtmeid läbi. Ärge asetage toodet vette ega laske sellel märjaks saada.



Plahvatus. Kontrollimata, ühildumatud või kahjustatud akud võivad tootega kooskasutamisel plahvatada. Ärge jätke toodet kasutamise ajal järelvalveta. Ärge üritage käivitada kahjustatud või külmunud akud. Kasutage toodet ainult koos soovitusliku voltaažiga akudega. Kasutage toodet hästi ventileeritud keskkonnas.



Tulekahju. Toode on elektriseade, mis eraldab kuumust ja võib põhjustada põletusi. Ärge katke toodet. Ärge suitsetage ega kasutage toote kasutamise ajal elektrilisi süütajaid. Hoidke toode eemal süttivatest materjalidest.



Silmakahjustus. Toote kasutamisel kandke silmakaitset. Akud võivad plahvatada ja eritada võib lendlevaid jääke. Akudest pärinev hape võib põhjustada silmade ja naha ärritust. Silmade või naha saastumisel loputage kahjustatud piirkonda puhta veega ja kontakteeruge koheselt mürgistusteabekeskusega.



Plahvatusohtlikud gaasid. Pliihappe läheduses töötamine on ohtlik. Akud toodavad normaalse töötssükli raames plahvatusohtlike gaase. Aku plahvatusohu vähendamiseks järgige kõiki aku tootja poolseid ohutusteabe juhiseid, ja ohutusjuhiseid mille on välja andnud akude läheduses kasutatavate seadmete tootjad. Vaadake üle antud toodetel ja mootoril olevad ohutusmärgised.

Eesti

Lisainformatsiooni ja klienditoe
tarvis külastage:

www.no.co/support

Olulised turvaohutusnõuded

ETTEVAATUST

Käsijuhtimise režiim blokeerib kõik turvameetmed. Ebaõige kasutamise korral ja/või meie soovitatule vastupidisel kasutamisel võib see põhjustada vigastusi või surma või tühistada teie garantii. Tule-, plahvatus- ja põletusohu. Ärge demonteerige, purustage ega kuumutage üle 60 °C (140 °F) ega tuhastage. See seade on ette nähtud ajutiseks kasutamiseks välitingimustes ja selle kasutamisel niisketes oludes tuleks olla ettevaatlik.

HOIATUS

Ärge laadige sisemist akut üle. Vt kasutusjuhendit. Ärge suitsetage, tõmmake tikku ega tekitage sädet toiteallika läheduses. Laadige sisemist akut ainult hästi ventileeritavas kohas, kui seda ei kasutata.

ETTEVAATUST

Inimeste vigastamise oht. Ärge kasutage seda toodet, kui toitejuhe või akukaablid on mingil moel kahjustatud. See seade ei ole ette nähtud kasutamiseks kaubanduslikes remonditöökohtades. Seadet tuleb hoida siseruumides, kui seda ei kasutata. Seadet ei tohi hoida ega jätta õue, kui seda ei kasutata.

Ohutu joogivee ja mürgiste ainete seadus. Aku klemmid, terminalid ja seotud tarvikud sisaldavad kemikaale, muuhulgas pliid. Need materjalid on Kalifornia Osariigis teadaolevalt põhjustanud vähki, sünnidefekte ja muud reproduktiivset kahju. **Isiklik ohutus.** Kasutage antud toodet ainult vastavalt juhtnõoidele. Keegi peaks toote kasutamise ajal olema teist hüüdmiskaugusel või teile piisavalt lähedal, et hädaolukorras appi tulla. Hoidke puhast vett ja seepi läheduses juhuks, kui peaks aset leidma aku happega saastumine. Kandke aku lähedal töötades täielikku silmakaitset ja kaitseriietust. Peske alati käed peale akude ja seotud materjalidega töötamist. Ärge kasutage ega kandke endaga metallist objekte kui akudega töötate - muuhulgas tööriistu, käekellasid ja ehteid. Kui metall kukub akule, võib see süttida või tekitada lühise mille tulemuseks on elektrišokk, tulekahju või plahvatus, mis võib tekitada vigastusi, põhjustada surma või varalist kahju. **Alaealised.** Kui ostja kavatses toodet alaealise kasutusse anda, nõustub ostjaks olev täiskasvanu andma detailseid juhtnõo ja hoiatusi mistahes alaealisele enne, kui ta toodet kasutama asub. Selle tegemata jätmise korral on kogu vastutus ostja kanda, kes siinkohal nõustub NOCO vastutusest vabastama mistahes toote eesmärgipäratu või vale kasutuse korral alaealise poolt. **Lämbumisoht.** Tootelised võivad seada lapsed läbumisohtu. Ärge jätke lapsi tootega või mistahes varuosadega järelevalveta. See toode ei ole mänguasi. **Käsitlemine.** Käsitlege toodet hoolsasti. Füüsiline kokkupõrge teiste esemetega võib toodet kahjustada. Ärge kasutage kahjustatud toodet, muuhulgas korpuse mõrade või kahjustunud

juhtmetega toodet. Ärge kasutage kahjustunud toitejuhtmega toodet. Niiskus ja vedelikud võivad toodet kahjustada. Ärge käsitlege toodet ega selle elektrilisi komponente ühegi vedeliku lähedal. Hoiustage ja kasutage toodet kuivas kohas. Ärge kasutage toodet kui see on saanud märjaks. Kui toode juba töötab ning saab märjaks, ühendage see aku küljest lahti ja lõpetage kohe selle kasutamine. Ärge ühendage toodet lahti kaablitest tõmbamise teel. Modifikatsioonid. Ärge üritage muuta, modifitseerida või parandada ühtegi toote osa iseseisvalt. Toote lahti võtmine võib põhjustada vigastusi, lõppeda surmaga või varalise kahjuga. Kui toode saab kahjustada, sellel esinevad talitlushäired või see sattub kontakti mistahes vedelikuga, lõpetage selle kasutamine ja kontakteeruge NOCO-ga. Mistahes modifikatsioonid tootele muudavad garantii kehtetuks. **Lisavarustus.** See toode on heaks kiidetud kasutamiseks NOCO lisavarustusega. NOCO ei ole vastutav kasutaja turvalisuse või kahju eest, kui kasutusel on olnud lisavarustus mida NOCO heaks ei kiida. **Asukoht.** Vältige aku happe ja toote kontakti sattumist. Ärge kasutage toodet suletud ruumis või piiratud ventilatsiooniga alal. Ärge asetage akut toote peale. Positsiooni kaabel aitab vältida õnnetusjuhtumeid seoses liikuvate sõiduki osadega (muuhulgas ka kapottide ja uste liigutamisel), liikuvate mootori osadega (muuhulgas labade, rihmade ja rihmarataste) või mistahes muude osadega, mis võiksid osutada potentsiaalselt vigastuste või surma põhjustajaks. **Töötemperatuur.** See toode on disainitud töötama temperatuurivahemikus -20°C kuni 50°C . Ärge kasutage toodet väljaspool temperatuurivahemikke. Ärge käivitage külmunud akut. Lõpetage kohe selle toote kasutamine, kui aku muutub liigselt kuumaks. **Hoiustamine.** Ärge kasutage ega hoiustage toodet alal kus on kõrge kontsentratsioon tolmu või õhuosakesi. Hoiustage toodet lamedal, turvalisel pinnasel, kus ei esine toote kukkumisohtu. Hoiustage oma toodet kuivas asukohas. Hoiustustemperatuur on -20°C - 50°C (0°C kuni $+40^{\circ}\text{C}$ keskmine temperatuur). Ärge mingil juhul ületage 80°C . **Ühilduvus.** Toode ühildub ainult 12-voldiste pliiakude süsteemidega. Ärge proovige toodet kasutada muud tüüpi akuga. Teistsuguse keemilise koostisega akude käivitamine võib põhjustada vigastusi, surma või varalist kahju. Enne aku käivitamist üritage aku tootjaga ühendust võtta. Ärge käivitage akut, kui te pole kindel aku konkreetse keemilises koostises või pinges. **Aku.** Tootesse sisseehitatud liitiumioonakut võib asendada vaid NOCO tootega ja seda tuleb taaskasutada ning käidelda majapidamisjäätmest eraldi. Ärge üritage akut ise asendada ja ärge käsitlege kahjustatud või lekkivat liitiumioonakut ise. Ärge utiliseerige akut majapidamisjäätmega koos. Akude käitlemine koos majapidamisjäätmega on ebaseaduslik osariiklike ja föderaalsete keskkonnaseaduste kohaselt. Viige kasutatud akud kohaliku jäätmekäitluskeskusesse. Kui toote aku on liigselt kuum, eritab lõhna, on deformeerunud, lõigatud või ei tööta normikohaselt, lõpetage kohe selle toote kasutamine ja kontakteeruge NOCO-ga. **Aku laadimine.** Laadige toodet kaasasoleva 12 VDC autolaadija või XGC4 seinalaadijaga. Ärge kasutage geneerilisi ega teiste tootjate toiteadapereid, kuna need võivad tekitada tõsise elektriõhu, mis võib põhjustada vigastusi inimesele, seadmele ja varale. Kahjustatud kaablite või laadijate kasutamine või niiskes keskkonnas laadimine võib põhjustada elektrilöögi. NOCO ei vastuta kasutaja turvalisuse, seadme kahjustamise ega varakahju eest, kui kasutate tarvikuid või toiteallikaid, mida NOCO ei ole heaks kiitnud. Seinalaadija XGC4 kasutamisel veenduge, et vahelduvvoolu pistik oleks adapterisse täielikult sisestatud, enne kui pistiku

pesasse ühendate. Toiteadapter võib tavalisel kasutamisel soojeneda ja pikaajaline kokkupuude nahaga võib põhjustada kehavigastusi. Kasutage toiteadapteri ümber alati piisavat ventilatsiooni. Aku maksimaalse tööea tagamiseks vältige toote laadimist rohkem kui nädal korraga, kuna ülelaadimine võib lühendada aku tööiga. Aja jooksul tühjeneb kasutamata toode ja enne kasutamist tuleb see uuesti laadida. Kui seade pole kasutusel, eraldage toode vooluallikatest. Kasutage toodet ainult ettenähtud otstarbel. **Meditsiinilised seadmed.** Toode võib väljutada elektromagneetilisi väljasid. Toode sisaldab magnetilisi komponente, mis võivad sekkuda südamestimulaatorite, defibrillaatorite või muude meditsiiniliste seadmete töösse. Need elektromagneetilised väljad võivad sekkuda südamestimulaatorite või meditsiiniliste seadmete töösse. Konsulteerige arstiga enne toote kasutamist juhul kui teil on mistahes meditsiinilisi seadmeid implanteeritud, muuhulgas südamestimulaator. Kui kahtlustate, et toode segab meditsiinilise seadme tööd, lõpetage toote kasutamine koheselt ja konsulteerige oma arstiga. **Meditsiinilised seisundid.** Kui teil on mistahes meditsiiniline seisund mida toode võib mõjutada, muuhulgas kuid mitte limiteeritud järgnevatega: krampid, teadvusekaotuse hood, silmade väsimus või peavalud, konsulteerige enne toote kasutamist oma arstiga. Suure võimsusega integreeritud valgusvoogude kasutamine tekitab valgustundlikkuse ohu. Valguse kasutamine strobeerežiimis võib põhjustada fotosensitiivse epilepsiaga inimestel krampe, mis võivad lõppeda tõsiste vigastuste või surmaga. **Valgus.** Otse valgusesse vaatamine võib lõppeda püsiva silmakahjustusega. Toode on varustatud kõrge väljutusega LED eel-fokusseeritud lambiga, mis annab kõrgseadistuse juures välja võimsa valgusvoo. **Puhastamine.** Lülitage seade välja enne, kui üritate seda hooldada või puhastada. Puhastage ja kuivatage toode koheselt, kui see satub kontakti vedelikuga või mistahes saasteainega. Kasutage pehmet mikrofiiber riiet. Vältige vedeliku sattumist toote avadesse. **Plahvatuslik keskkond.** Järgige kõiki tähiseid ja juhtnööre. Ärge kasutage toodet mistahes aladel, kus keskkond on potentsiaalselt plahvatuslik, muuhulgas tankimispiirkondades või aladel kus õhus esineb kemikaale või osakesi, terakesi, õhutolmu või metallitolmu. **Tõsiste tagajärgedega tegevused.** Antud toode ei ole mõeldud kasutamiseks olukordades, kus toote tõrked võiksid viia vigastuste, surma või tõsise keskkondliku kahjuni. **Raadiosageduslikud häired.** Toode on disainitud, testitud ja toodetud vastama raadiosageduslike emissioonide käsitlevatele regulatsioonidele. Taolised emissioonid tootelt võivad negatiivselt mõjutada elektrooniliste seadmete tööd, põhjustades talitlushäireid. **Mudeli number: GB251.**Käesolev seade vastab FCC reeglistiku Osale 15. Käesolev operatsioon vastab järgnevale kahele tingimusele: (1) käesolev seade ei pruugi kahjulikku interferentsi põhjustada, ja (2) käesolev seade peab vastu võtma mistahes interferentsi, muuhulgas interferentsi mis võib põhjustada talitlushäireid. **MÄRGE:** Seda varustust on testitud ja on leitud, et see vastab Klass A digitaalsete seadmete nõuetele, mis tuleneb FCC reeglistiku Osast 15. Need limitatsioonid on disainitud pakkuma mõistlikku kaitset kahjuliku interferentsi vastu seadme kasutamisel kaubanduslikus keskkonnas. See seade tekitab, kasutab ja võib väljutada raadiosageduslikku energiat ja kui see ei ole installeeritud ja kasutatud vastavalt kasutusjuhendile, võib see põhjustada raadioühenduse interferentsi. Käesoleva varustuse kasutamine elamurajoonides võib põhjustada kahjulikku interferentsi ja sel juhul peab kasutaja interferentsi lahendama ise kulusid kandes.

Kasutusjuhend

Samm 1: Laadige GB251.

GB251 on karbist välja võttes osaliselt laaditud ja see tuleb enne kasutamist täielikult laadida. Ühendage GB251 komplekti kuuluva 12 V alalisvoolu autolaadija või XGC4 seinalaadija abil 12 V IN liitmikku. GB251 laadimise aeg sõltub tühjenemisastmest ja kasutatavast energiaallikast. Tegelikud tulemused võivad aku tingimustest ja tühjenemisest olenevalt erineda.

Toote laadimisel on sisemise aku laetuse tase toodud LED tulukeste põhisel. LED-id vilguvad aeglaselt sisse ja välja ning vilkumine lõppeb alles siis, kui kõik neli LED-i on püsivalt süttinud. Kui aku on täis laetud, siis roheline 100% LED põleb püsivalt ning 25%, 50% ja 75% laetustasemele viitavad LED tuled kustuvad. Aeg-ajalt vilgub roheline 100% laetustasemele viitav LED, mis näitab, et toimub säilituslaadimine.

Samm 2: Ühendage aku.

Lugege hoolikalt läbi sõiduki omaniku käsiraamat konkreetsete ettevaatusabinõude ja sõiduki käivitamiseks soovitatud meetodite kohta. Enne toote kasutamist kontrollige kindlasti aku pinget ja keemilist koostist, järgides aku omaniku kasutusjuhendit. GB251 on ette nähtud ainult 24-voldise pliiakuga süsteemi käivitusabiks. Enne aku külge ühendamist kontrollige, kas teil on 24-voldise pliiaaku süsteem. GB251 ei sobi muud tüüpi aku jaoks. Tuvastage aku klemmide õige polaarsus. Aku positiivset klemmi tähistatakse tavaliselt nende tähtede või sümbolitega (POS, P, +). Aku negatiivne klemm on tavaliselt tähistatud nende tähtede või sümbolitega (NEG, N, -). Ärge ühendage karburaatori, kütusevoolikute ega õhukeste plekkosadega. Allpool toodud juhised on mõeldud negatiivse maandussüsteemi kohta (kõige tavalisem). Kui teie sõiduk on positiivse maandussüsteemiga (väga harva), lugege sõiduki kasutusjuhendist käivitusabiga alustamiseks vajalikke juhiseid.

1.) Ühendage positiivne (punane) akuklamber positiivse (POS, P, +) akuklemmiga ja negatiivne (must) akuklamber negatiivse (NEG, N, -) akuklemmiga või sõiduki kerega.

Täislaadimiseks
kuluv aeg:

5hr

Laadija tase:

56W

Seesmise aku laetuse tase



25% 50% 75% 100%

Samm 3: Käivitamine.

- 1.) Veenduge, et kõik sõiduki võimsust koormavad funktsioonid (peatuled, raadio, konditsioneer jne) on välja lülitatud enne kui sõidukit käivitada üritate.
- 2.) Vajutage toitenuppu käivitusabi alustamiseks ja kõik LED-id vilguvad ühe korra. Kui olete seadme akuga korralikult ühendanud, süttib valge laadimise LED ja aku laadimise LEDid hakkavad jooksuma. 60-sekundiline aeglustusloendus algab kohe, kui aku on tuvastatud.
- 3.) Proovige sõidukit käivitada. Enamik sõidukeid käivitub kohe. Mõned sõidukid võivad vajada GB251 ühendust kuni 30 sekundi vältel enne käivitumist. Kui sõiduk ei käivitu kohe, oodake 20-30 sekundit ja proovige uuesti. Ärge üritage enam kui viit (5) järjestikust käivitust viieteist (15) minutilise perioodi vältel. Lubage GB251 seadmel viieteist (15) minutit puhata enne teistkordset üritust sõiduki käivitamiseks.
- 4.) Kui olete oma sõiduki käivitanud, ühendage aku klambrid lahti ja eemaldage GB251.

60-sekundiline mahalugemine.

Niipea kui aku on tuvastatud, käivitatakse 60-sekundiline loendur. Pärast 60 sekundi möödumist lülitatakse käivitusabi funktsioon välja. Voolutugevuse märgutuli kustub ja aku sisemised laadimis LED-tuled näitavad seadme praegust laadimistaset. Stardiabi funktsiooni lähtestamiseks vajutage seadme väljalülitamiseks toitenuppu. Vajutage uuesti toitenuppu, et seade sisse lülitada ja käivitusabi funktsioon taaskäivitada.

ETTEVAATUST.

60-SEKUNDILINE MAHALOENDUS ON KÄSIJUHTIMISE REŽIIMIS BLOKEERITUD. AKTIIVSE KÄSIJUHTIMISE AJAL ON TOIDE SISSELÜLITATUD. STARDIABI KORDADE MAKSIMEERIMISEKS ON SOOVITATAV BOOST-ÜKSUS VÄLJA LÜLITADA KOHE, KUI SÕIDUK ON KÄIVITUNUD.

Madala voltaažiga akud & manuaalne käivitamine

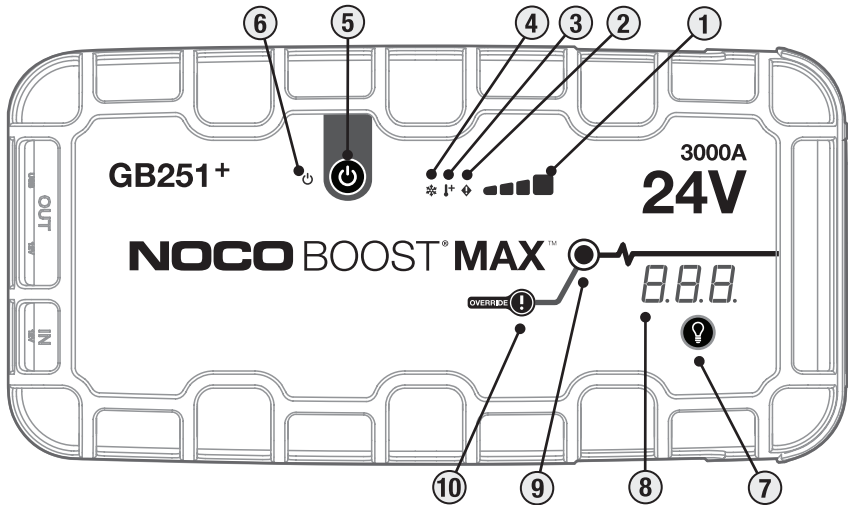
GB251 on ette nähtud 24-voldise kuni 2-voldise pliiakuga akusüsteemide käivitusabiks. Kui teie aku pinget on alla 2 voldi, siis võimenduse LED-tuli lülitub "välja". See näitab, et GB251 ei suuda akut tuvastada. Kui teil on vaja käivitada alla 2-voldist akut, siis on olemas käsijuhtimise funktsioon, mis võimaldab teil käivitusabi funktsiooni sisse lülitada. Kui aku pinget on alla 2 voldi, siis märgutuli kustub ja voltmeeter pinget ei näita.

ETTEVAATUST.

KASUTAGE SEDA REŽIIMI VÄGA ETTEVAATLIKULT. SEE REŽIIM ON ETTEENÄHTUD AINULT 24-VOLDISTE PLIIAKUSÜSTEEMIDE JAKS. SÜTTIMISKINDLUSE JA PÖÖRPOLAARSUSE KAITSEFUNKTSIOONID ON KEELATUD. ENNE SELLE REŽIIMI KASUTAMIST PÖÖRAKE SUURT TÄHELEPANU AKU POLAARSUSELE. ÄRGE LASKE POSITIIVSEL JA NEGATIIVSEL AKUKLEMMIL KOKKU PUUTUDA EGA ÜHENDUDA ÜKSTEISEGA SEST SEE VÕIB TEKITADA SÄDEMEID. SEE REŽIIM KASUTAB VÄGA TUGEVA VOOLU (KUNI 3000 AMPRIT), MIS VÕIB VALEL KASUTAMISEL TEKITADA SÄDEMEID JA KÕRGET KUUMUST. KUI TE POLE SELLE REŽIIMI KASUTAMISES KINDEL, ÄRGE PROOVIGE SEDA JA OTSIGE PROFESSIONAALSET ABI.

USB- ja 12 V seadmete toide.

Seadmel GB251 on (2) USB-OUT-liitmikku ja 12V-OUT-liitmik (12 V AUX / sigaretisüütaja pesa). Ühendage tavaline USB-seade või 12 V seade (kuni 15 A) ning lülitage GB251 sisse, et käivitada seadme elektritoide.



Liides

1.) Seesmise aku laetuse tase viitab seesmise aku laetuse tasemele.

2.) Veatuli (LED) Põleb vastupidise polaarsuse tuvastamisel punaselt või vilgub veatingimuste edastamiseks erinevates järjestustes (1 kuni 6 vilgub) "sisse" ja "välja".

3.) Kuum LED: põleb püsivalt punaselt, kui seade on täielikult kasutusvalmis, kuid temperatuuri ülempiirile lähenemas. Vilkuv punane; seade on alustamiseks hüppe jaoks liiga kuum, selles olekus on saadaval ainult taskulamp.

4.) Külm LED: põleb püsivalt siniselt, kui seade on täielikult kasutusvalmis, kuid lähenemas temperatuuri alampiirile. Vilkuv sinine; seade on käivitamiseks liiga külm, ainult selles taskus on saadaval taskulamp.

5.) Käivitusnupp. Vajutage nuppu ühiku sisse- ja väljalülitamiseks.

6.) Toite LED Süttib valgena kui ühik on sisselülitatud. Süttib oranžina pärast 60-sekundilist ajaarvu, kuni klambrid eemaldatakse autoakust või kui GB251 lülitatakse uuesti välja ja uuesti sisse.

7.) Light režiimi nupp Lülitab sisse ultra-ereda LED valgustuse 7 erineval režiimil: 100% > 50% > 10% > SOS > Vilkumine > Strobe > Väljas

8 . Voltmeeter / Taimer Sisse ehitatud voltmeeter loeb sõiduki auku voltaaži võimendatud diagnostika teostamiseks ja veaotsinguks. Voltmeeter loeb automaatselt mistahes aku (või akusüsteemi) voltaaži, kui aku klambrid on ühendatud, isegi kui ühik on välja lülitatud. Voltmeeter loeb voltaaži vahemikus ~3V ja ~30V. Kui ühendatud aku on alla 3V, siis ei kuvata midagi. Kui voltaaž on nii madal, siis on ilmselt tegemist koormusega akul, näiteks peatulede või konditsioneeride tööst, mis tuleks välja lülitada enne kui üritate sõidukit käivitada. Kui seade on sisse lülitatud ja pärast aku tuvastamist, kuvab voltmeeter 60-sekundilise ajalõpu loenduri.

9.) Boost LED süttib valgena kui Boost on sisselülitatud. Kui ühik on ühendatud korrektselt akuga, detekteerib GB251 automaatselt aku ja siseneb Boost režiimi (LED vilgub valgena kui manuaalse käivitamise režiim on aktiivne).

10.) Manuaalse käivitamise nupp Käivitamiseks vajutage ja hoidke all kolm (3) sekundit. **HOIATUS: Peatab turvaseaded ja lülitab manuaalselt Boost režiimi sisse. Kasutatakse ainult siis, kui aku pingeline on tuvastamiseks liiga madal.**

Veaotsing

Viga	Põhjus/Lahendus
Veatuli (LED): Põleb punaselt	Vastupidine polaarsus/Tõstke ümber aku ühendused.
Veatuli (LED): Vilgub punaselt Kui kaablid on korrektselt ühendatud	Akuklambritel on tuvastatud lühis. / Laske akut kontrollida professionaalil.
Üksik (1) vilkumine	Akuklambritel on tuvastatud lühis. / Eemaldage kõik koormused, ühendage klambrid akuga uuesti.
Topelt (2) välklamp	Klemmidel tuvastatud kõrgepinge (GB251 on ühendatud üle 24 V pingesüsteemiga).
Neljakordne (4) välklamp	Laadimise ajalõpu viga (st GB251 on liiga kaua hulgilaadimisega)
Viiekordne (5) välklamp	XGC OUT üle voolu (st XGC OUT-i pordist võetakse rohkem kui 15 amprit)
Seitsmekordne (6) välk	BMS (Battery Management System) tõrge. (Tühjendamiseks kustutage toide GB251 uuesti "välja" ja "sisse". Kui probleem püsib, võtke ühendust klienditoega)
Kuum LED: püsiv indikaatortuli	Seade on täielikult kasutusvalmis, kuid lähenemas temperatuuri ülempiirini. / Laske seadmel jahtuda.
Kuum LED: vilkuv	Seade on alustamiseks liiga kuum, selles olekus on saadaval ainult taskulamp. / Laske seadmel jahtuda.
Kuum LED: esmalt vilgub, seejärel kustuvad kõik LEDid	Seade on liiga kuum nii käivitamiseks kui ka teiste funktsioonide kasutamiseks. / Laske seadmel jahtuda ja viige see jahedamasse keskkonda.
Külm LED: pidev	Seade on täielikult kasutusvalmis, kuid lähenemas temperatuuri alampiirini. / Laske seadmel üles soojeneda.
Külm LED: vilkuv	Seade on käivitamiseks liiga külm, selles olekus on saadaval ainult taskulamp / Laske seadmel soojeneda.
Külm LED: esmalt vilgub, seejärel kustuvad kõik LEDid	Seade on liiga külm nii käivitamiseks kui ka teiste funktsioonide kasutamiseks. / Laske seadmel üles soojeneda ja viige see soojemasse keskkonda.
Boost tuli ei sütti kuid kaablid on korrektselt ühendatud	Ühendatud aku on alla 3-voldi/Eemaldage kõik koormavad laengud ja proovige uuesti, või kasutage käsitsi käivitamise režiimi

Tehniline kirjeldus

Seesmine aku: 137Wh Liitiumioon	12V (sisend): 12V/5A (14V Maks)
Tippvoolu tugevus: 3000A	12V (väljund): 12V, 15V Maks
Kasutustemperatuur: -20°C kuni +50°C	Kaitseümbri: IP65 (suletud portidega)
Laadimistemperatuur: 0°C kuni +40°C	Jahutus: Naturaalne konvektsioon
Hoiustamistemperatuur: -20°C kuni +50°C (keskmine temperatuur)	Mõõtmed (pikkus x laius x kõrgus): 31,75 x 20,83 x 3,39 Sentimeetrid
USB (väljund): 5V, 2.1A	Kaal: 6,19 kilogrammi (13,65 lb)

NOCO ühe (1) aastane limiteeritud garantii

NOCO Company ("NOCO") garanteerib, et see toode ("toode") on vaba defektidest materjali ja töö kvaliteedi osas ühe (1) aastase perioodi vältel ostukuupäevast ("Garantiiperiood"). Garantiiperioodi vältel raporteeritud defektid parandab NOCO omal äranägemisel või asendab defektiga tooted pärast tehnilise toe poolt teostatud ekspertiisi. Asendusosad ja -tooted on uued või hoolsalt kasutatud, võrreldavad funktsiooni ja töökindluse osas originaalsete varuosadega ja neile kehtib garantii vastavalt originaalsele garantiiperioodile.

NOCO VASTUTUS SIINKOHAL ON PIIRATUD ASENDUSE VÕI PARANDUSEGA. VASTAVALT MAKSIMAALSELE SEADUSEGA LUBATUD MÄÄRALE, EI OLE NOCO VASTUTAV ÜHEGI TOOTE OSTJA EES EGA KOLMANDA OSAPOOLE EES ÜHEGI SPETSIAALSE, KAUDSE, KAASUVA VÕI NÄIDISKAHJU EEST, MUUHULGAS, KUIJ MITTE PIIRATUD JÄRGNEVAGA: SAAMATA JÄÄNUD KASUM, MISTAHES VIISIL TEKKINUD; VIGASTUSED, MISTAHES VIISIL TEKKINUD, ISEGI KUI NOCO OLI TEADLIK TAOLISTE KAHJUDE TEKKE VÕIMALIKKUSEST. SIIN TOODUD GARANTIID ASENDAVAD KÕIK TEISED GARANTIID, EKSPRESSEERITUD, KAUDSED, SEADUSEJÄRGSED VÕI MUUD,

KAASAARVATUD JA ILMA PIIRANGUTETA, KAUDSED GARANTIID KAUBANDUSLIKKUUSE JA SOBIVUSE KOHTA KINDLAKS EESMÄRGIKS, JA NEED MIS TEKIVAD TEGEVUSE, KASUTUSE VÕI VAHETUSE PRAKTIKAS. JUHUL KUI MISTAHES KEHTIVAD SEADUSED KEHTESTAVAD GARANTIID, TINGIMUSED VÕI KOHUSTUSED MIDA EI SAA VÄLJA ARVATA VÕI MIDA EI SAA MODIFITSEERIDA, SIIS KÄESOLEV PARAFRAAF KEHTIB MAKSIMAALSEL VÕIMALIKUL MÄÄRAL MIDA ANTUD SEADUSANDLUS VÕIMALDAB.

Käesolev limiteeritud garantii on koostatud ainuüksi toote originaalse ostja kasuks NOCO-lt või NOCO poolt autoriseeritud edasimüüjalt või vahendajalt ja ei ole loovutatav ega edasikantav. Taotlemaks garantiid, peab ostja: (1) taotlema ja saama toote tagastuse numbrü (RMA) ja tagastuse asukohateabe NOCO klienditoelt e-maili teel aadressil support@no.co või helistades 1.800.456.6626; ja (2) saatma toote, muuhulgas RMA numbrü, ostutšeki või garantii tasu (tasu on vajalik vaid juhul, kui tšekki ei ole ette näidata) 45% ulatuses toote tootjapoolsest soovituslikust edasimüügi hinnast ("garantii tasu") tagastusaadressile. ÄRGE SAADKE TOODET ILMA ESMALT NOCO-LT SELLE TARVIS RMA NUMBRI TAOTLEMIST.

ORIGINAALNE OSTJA ON VASTUTAV (JA PEAB ETTE TASUMA) KOGU PAKENDAMISE JA TRANSPORDIGA SEONDUVAD KULUD TOOTE SAATMISEKS GARANTII TEENINDUSSE.

HOOLIMATA EELTOODUST, SEE LIMITEERITUD GARANTII ON KEHTETU JA EI KÄI TOODETE KOHTA MIS: (a) on väärkasutatud, väärkäsitletud, hooletult kasutatud, õnnetusjuhtumisse sattunud, ebakorrektselt hoiustatud või opereeritud ekstreemse voolu tingimustes, temperatuuri, šoki või vibratsiooni tingimustes, mis on väljaspool NOCO soovituslikku vahemikku turvaliseks ja efektiivseks kasutuseks; (b) ebakorrektselt installeeritud, opereeritud või säilitatud; (c) on modifitseeritud ilma spetsiaalse kirjaliku heakskiiduta NOCO-lt; (d) on lahti võetud, muudetud või parandatud kellegi muu kui NOCO poolt; (e) defektid mida raporteeriti said raporteeritud peale garantiiperioodi lõppu.

SEE LIMITEERITUD GARANTII EI KATA: (1) normaalset kulumist; (2) kosmeetilist kahju mis ei mõju funktsionaalsusele; või (3) tooteid millelt on puudu, millel on muudetud või millel on rikunud NOCO seeria number.

TASUTA GARANTII TINGIMUSED

Need tingimused kehtivad tootele ainult garantiiaja jooksul. Tasuta garantii kaotab kehtivuse alates ettenähtud aja möödumisest ostukuupäevast (seerianumbri kuupäevast alates, kui puudub ostutõend) või vastavalt selles dokumendis varem loetletud tingimustele.

Tagastage toode koos asjakohaste dokumentidega.

Kviitungiga:

1 aasta: TASUTA. Ostutõendiga algab garantiiaeg ostukuupäevast

Kviitungita:

1 aasta: TASUTA. Ostutõendita algab garantiiaeg seerianumbri kuupäevast.

Teil on võimalik oma NOCO toode registreerida internetis: no.co/register. Kui teil tekib mistahes küsimusi seoses garantii või tootega, kontakteeruge NOCO klienditoega (e-mail ja telefoni number on toodud ülal) või kirjutage aadressil: The NOCO Company, 30339 Diamond Parkway, #102, Glenwillow, OH 44139 USA.

NOCO BOOST[®] MAX[™] GB251+



DĖMESIO!

Naudojimas ir garantijos



PRIŠ NAUDODAMIESI GAMINIŲ, ATIDŽIAI PERSKAITYKITE IR PERPRASKITE VISA SAUGOS INFORMACIJĄ. Nesivadovaujant saugos nurodymais, galimas **ELEKTROŠOKAS, SPROGIMAS, GAISRAS**, o tai pavojinga **SVEIKATAI, GYVYBEI ir TURTUI**.



Elektrošokas. Šis gaminys - elektros prietaisas, galintis nukrėsti srove ir rimtai sužeisti. Nepjaustykite jungimo laidų. Nemerkite į vandenį, nesudrėkinkite.



Sprogimas. Neprižiūrimas, netinkamas arba pažeistas akumuliatorius prijungus gaminį gali sprogti. Nepalikite įjungto prietaiso be priežiūros. Nebandykite užvesti pažeisto arba užšalusio akumuliatoriaus. Junkite prietaisą tik prie nurodytos įtampos akumuliatorių. Naudokite gaminį gerai vėdinamose patalpose.



Gaisras. Šis gaminys - elektros prietaisas, kuris kaista ir gali nudeginti. Neuždenkite gaminio. Prietaisui veikiant nerūkykite ir nesinaudokite jokiais kibirkščiųjančiais daiktais. Nelaikykite gaminio netoli degių medžiagų.



Pavojus akims. Naudodamiesi gaminiu dėvėkite apsauginius akinius. Akumuliatorius gali sprogti, jo nuolauža gali sužeisti akį. Akumuliatoriaus rūgštis gali suerzinti akis ir odą. Jei akumuliatoriaus skysčio pateko į akis ar ant odos, nuskalaukite pažeistą vietą švarių tekančiu vandeniu ir tuoj pat kreipkitės į medikus.



Sprogios dujos. Dirbti su švinu ir rūgštimi pavojinga. Įprastiniu režimu veikiančiame akumuliatoriuje susidaro sprogios dujos. Norėdami išvengti sprogių, laikykitės visų saugos nurodymų, pateikiamų tiek akumuliatoriaus, tiek bet kokių su akumuliatoriumi naudojamų prietaisų gamintojo. Atkreipkite dėmesį į šių gaminių ir variklio ženklimą.

Lietuvos

Išsamesnius duomenis ir patarimus rasite:

www.no.co/support

Svarbūs saugos nurodymai

ATSARGIAI

Naudodami rankinį režimą, išjungsite visas saugos funkcijas. Naudodami netinkamai ir (arba) pažeisdami rekomenduojamo naudojimo reikalavimus, galite sukelti traumą ar mirtį ir netekti garantinio aptarnavimo paslaugos. Gaisro, sprogimo ir nudegimų rizika. Neišmontuokite, netraiškykite, saugokite nuo aukštesnės nei 60°C (140°F) temperatūros ar nedeginkite. Šis įrenginys skirtas laikinai naudoti lauke ir būtina taikyti reikiamą priežiūrą, kai naudojate jį drėgnomis sąlygomis.

ISPĖJIMAS

Neperkraukite vidinio akumuliatoriaus. Žr. Instrukcijų vadovą. Nerūkykite, neuždekite degtuko ar neįskelkite kibirkšties šalia maitinimo bloko. Vidinį akumuliatorių įkraukite gerai ventiliuojamoje vietoje, kai jis nenaudojamas.

ATSARGIAI

Žmonių traumų rizika. Nenaudokite šio įrenginio, jei kaip nors pažeistas maitinimo laidas ar akumuliatoriaus kabeliai. Šis įrenginys nėra skirtas naudoti komercinėje remonto įmonėje. Kai nenaudojate, šį įrenginį būtina laikyti patalpoje. Kai nenaudojate, šio įrenginio nelaikykite ar nepalikite lauke.

Kalifornijos valstijos geriamojo vandens saugos įstatymas. Akumuliatoriaus išvadų, gnybtų ir priedų sudėtyje yra švino ir kitų elementų, kurie Kalifornijos valstijoje laikomi sukeliančiais vėžį, apsigimimus ir kitus reprodukcinis sutrikimus. **Asmeninės atsargumo priemonės.** Naudokite gaminį tik pagal paskirtį. Kas nors turi būti netoliese, kad ištikus nelaimei išgirstų ar pamatytų ir ateitų į pagalbą. Po ranka turėkite vandens ir muilo užtiškusiai akumuliatoriaus rūgščiai nuplauti. Dirbdami su akumuliatoriumi dėvėkite apsauginius akinius ir darbinis drabužius. Pačiupinėję akumuliatorių ar priedus būtina nusiplaukite rankas. Kraudami akumuliatorių nelaikykite ir nedėvėkite jokių metalinių daiktų: įrankių, laikrodžių, papuošalų. Nukritęs ant akumuliatoriaus metalas gali sukibirkščiuoti arba sukelti trumpą jungimą ir tapti elektrošoko, gaisro ar sprogimo priežastimi, o tai pavojinga sveikatai, gyvybei ir turtui. **Nepilnamečiai.** Jei Pirkėjas ketina leisti naudotis gaminiu nepilnamečiui, prieš perduodamas gaminį suaugęs pirkėjas įsipareigoja supažindinti nepilnametį su išsamiomis naudojimo ir saugos taisyklėmis. To nepadaręs Pirkėjas prisiima visą atsakomybę ir pasižada nereikšti NOCO jokių pretenzijų dėl bet kokios tyčinės ar netyčinės nepilnamečio padarytos žalos. **Pavojus uždusti.** Prarijęs detalę vaikas gali uždusti. Nepalikite vaikų vienu prie gaminio ar bet kokių jo priedų. Šis gaminys nėra žaislas. **Priežiūra.** Rūpestingai prižiūrėkite gaminį. Sutrenktas prietaisas gali sugesti. Nenaudokite

pažeisto (įskilęs korpusas, nutrūkę laidai, ir taip toliau) gaminio. Nenaudokite prietaiso su pažeistu maitinimo laidu. Drėgmė ir skysčiai gali pakenkti gaminiui. Nelaikykite gaminio ar jo detalių netoli bet kokio skysčio. Laikykite ir naudokite prietaisą sausoje aplinkoje. Neįjunkite prietaiso, jei jis sušlapo. Jei sušlampa jau veikiantis prietaisas, tuoj pat atjunkite jį nuo akumulatoriaus ir nebandokite, kol išdžius. Neatjunginėkite gaminio tempdami už laidų. Pakeitimai. Nebandykite keisti, perdarinėti ar taisyti jokios prietaiso dalies. Ardydami prietaisą galite susižeisti, žūti arba prisidaryti nuostolių. Jei gaminys sugedo, nustojo veikti arba sušlapo, išjunkite jį ir susisieki su NOCO. Bet kokie gaminio pakeitimai panaikina garantiją. **Priedai.** Šis gaminys skirtas naudoti tik su NOCO priedais. NOCO neatsako už NOCO neapčiuotų priedų naudotojo saugumą ar patirtą žalą. **Vietos parinkimas.** Neaptašykite gaminio akumulatoriaus rūgštimi. Nenaudokite prietaiso uždaroje arba prastai vėdinamoje patalpoje. Nedėkite akumulatoriaus ant gaminio. Pasirūpinkite, kad laidų atsitiktinai nepažeistų judančios automobilio dalys (gaubtas, durelės ir panašiai), judančios variklio dalys (ventiliatoriaus mentės, dirželiai, skriemuliai), nes tai pavojinga sveikatai ir gyvybei. **Darbinė temperatūra.** Šis prietaisas pritaikytas veikti esant aplinkos temperatūrai nuo -20o C iki +50o C. Neperženkite šių temperatūros ribų. Neužvedinėkite užšalusio akumulatoriaus. Jei akumulatorius per daug įkaista, nedelsdami išjunkite prietaisą. **Laikymas.** Nenaudokite ir nelaikykite prietaiso labai dulketose arba užterštose patalpose. Kad gaminys nenukristų, padėkite jį ant lygaus tvirto paviršiaus. Laikykite sausoje vietoje. Vidutinė temperatūra nuo -20o C iki +50o C (Vidutinė temperatūra 0°C ~ + 25°C). Jokių būdu nelaikykite aukštesnėje nei +80o C temperatūroje. **Suderinamumas.** Gaminys suderinamas tik su 12 voltų švino-rūgštinėmis akumuliatorių sistemomis. Nenaudokite gaminio su kitu akumulatoriaus modeliu. Sužadindami kitos cheminės sudėties akumuliatorių, galite sukelti traumą, mirtį ar turto nuostolį. Prieš bandydami jį sužadinti užvedimui nuo išorinio šaltinio, kreipkitės į akumulatoriaus gamintoją. Nesužadinkite akumulatoriaus užvedimui nuo išorinio šaltinio, jei nesate tikras dėl akumulatoriaus cheminės sudėties ar įtampos. **Baterija.** Įmontuotą į prietaisą ličio jonų bateriją gali keisti tik NOCO, jos negalima mesti į bendrą buitinių atliekų konteinerį, ją būtina atiduoti perdirbti. Nebandykite keisti ličio jonų baterijos patys, nelieskite baterijos, jei ji pažeista ar iš jos sunkiasi skystis. Niekad nemeskite baterijos į buitines atliekas. Tai draudžia valstybiniai ir tarptautiniai gamtos saugos įstatymai bei reikalavimai. Visada pristatykite naudotas baterijas į artimiausią tokių atliekų surinkimo centrą. Jei baterija labai įkaitusi, nuo jos sklinda neįprastas kvapas, jei ji išsipūtusi, pratrūkusi arba dar kaip nors neįprastai atrodo arba veikia, tuoj pat išjunkite prietaisą ir susisieki su NOCO. **Baterijos pakrovimas.** Įkraukite gaminį komplektuojamu 12VDC automobiliu įkrovikliu ar XCG4 sieniniu įkrovikliu. Nenaudokite bendrosios paskirties ar trečiosios šalies maitinimo adapterių, nes jie gali kelti rimtą elektros smūgio riziką, kuri, savo ruožtu, gali sukelti žmonių traumas ir (arba) mirtį, apgadinti įrenginį bei turtą. Naudodami pažeistus kabelius ar įkroviklius, ar įkraudami esant drėgmei, galite sukelti elektros smūgį. „NOCO“ nėra atsakinga už vartotojo saugumą, įrenginio gedimą ar turto žalą, kai naudodami „NOCO“ neatestuoti priedai ar maitinimo šaltiniai. Kai naudojate XCG4 sieninį įkroviklį, prieš įjungdami jį į maitinimo tinklą, įsitikinkite, kad KS jungiklis būtų pilnai įkištas į adapterį. Maitinimo adapteris gali įkaisti

įprastinio eksploatavimo metu ir testinis sąlytis su oda gali sukelti kūno traumą. Naudodami maitinimo adapterį, visada užtikrinkite reikiamą ventiliaciją aplink jį. Norėdami užtikrinti maksimalią akumuliatoriaus eksploatavimo trukmę, venkite įkrauti įrenginį dažniau nei kas savaitę, nes perkrovimas gali sutrumpinti akumuliatoriaus eksploatavimo trukmę. Ilgainiui, nenaudojamas įrenginys išsikrauna ir prieš naudojimą jį reikia įkrauti iš naujo. Kai nenaudojate, atjunkite įrenginį nuo maitinimo šaltinių. Naudokite įrenginį tik pagal paskirtį. **Medicinos prietaisai.** Gaminyje yra magnetinių detalių, aplink jį gali susidaryti elektromagnetiniai laukai, kurie gali sutrikdyti stimuliatorių, defibriliatorių ir kitų medicininis priemonių darbą. Jei jums implantuotas stimulatorius ar bet koks kitas medicininis prietaisas, prieš naudodami gaminį pasitarkite su gydytoju. Jei įtariate, kad gaminys daro poveikį medicininio prietaiso veikimui, tuoj pat jį išjunkite ir kreipkitės į gydytoją. **Sveikatos būklė.** Jei nesveikuojaite ir manote, kad gaminys gali pabloginti jūsų būklę (sukelti priepuolį, sąmonės aptemimą, regos sutrikimą, galvos skausmą ir taip toliau), prieš naudodami prietaisą pasitarkite su gydytoju. Įmontuoto galingo prožektoriaus šviesa gali pakenkti akims. Pasikartojantys blyksniai epileptikams gali sukelti traukulių priepuolį, kuris gali baigtis rimtu sužeidimu ar mirtimi. **Šviesa.** Žiūrint tiesiai į prožektorių galima negrįžtamai pakenkti akims. Gaminyje įmontuota fokusuotos šviesos šviesdiodžių lempa, įjungus didžiausiu galingumu skleidžianti ryškios šviesos pluoštą. **Valymas.** Prieš tvarkant ar valant prietaisą jį išjunkite. Jei gaminys sušlampa arba užsiteršia, tuoj pat nuvalykite ir nušluostykite. Šluostykite minkštu nepūkuotu (mikropluoštinu) skudurėliu. Neleiskite drėgmei patekti į angas. **Sprogimo pavojus.** Laikykitės visų saugos nurodymų, paisykite ženklavimo. Nenaudokite gaminio galimai pavojingoje aplinkoje, pavyzdžiui, degalinėse ar patalpose, kur oras užterštas chemikalais arba grūdų, smėlio ar metalo dulkelėmis. **Pavojinga veikla.** Šis gaminys neskirtas naudoti ten, kur jo gedimas gali tapti sužeidimo, žūties ar stipraus aplinkos užteršimo priežastimi. **Radio trikdžiai.** Gaminys suprojektuotas, išbandytas ir sukonstruotas atsižvelgiant į radijo dažnių reglamentavimo įstatymus. Skleidžiamos bangos gali sutrikdyti kitų elektroninių prietaisų veikimą. **Modelio numeris: GB251.** Gaminys atitinka Federalinės ryšių komisijos Taisyklių 15 straipsnio reikalavimus. Naudojantis privalo žinoti dvi sąlygas: (1) šis prietaisas neturi skleisti kenksmingų trikdžių, ir (2) šis prietaisas turi būti atsparus bet kokiems pašaliniais trikdžiams, taip pat ir trikdžiams, galintiems sukelti veikimo sutrikimus. **PASTABA:** Išbandžius gaminį nustatyta, kad jis atitinka A klasės reikalavimus skaitmeninei įrangai, išdėstytus 15 FRK Taisyklių straipsnyje. Šių apribojimų tikslas - pakankama apsauga nuo žalingų trikdžių, prietaisui veikiant komercinėse patalpose. Prietaisas skleidžia, priima ir gali spinduliuoti radijo bangas ir, montuojant bei naudojant ne pagal nurodymus, gali sutrikdyti radijo ryšį. Prietaisui veikiant gyvenamojoje aplinkoje gali sutrikti elektroninių prietaisų veikimas, ir tuo atveju naudotojui gali tekti panaikinti trikdžius savo sąskaita.

Naudojimas

1 žingsnis: Pakraukite GB251

GB251 tiekiamas dalinai įkrautas ir, prieš naudodami, jį pilnai įkraukite. Prie 12V įvado prijunkite GB251, naudodami pridėtą 12V TS automobilio įkroviklį ar XGC4 sieninį įkroviklį. GB251 įkrovimo laikas gali skirtis priklausomai nuo iškrovimo lygio ir naudojamo maitinimo šaltinio. Faktiniai rezultatai priklauso nuo akumuliatoriaus būklės ir išsikrovimo lygio.

Kraunant pakartotinai, vidinės baterijos įkrovimo lygį rodo šviesos diodai. Lėtai pulsuojančios "On" ir "Off" švieselės nustoja pulsuoti, kai įsijungia visi keturi krovimo indikatorius šviesdiodžiai. Baterijai pilnai pasikrovus, užsidega žalia 100% švieselė, o 25%, 50% ir 75% krovimo švieselės išsijungia. Žalia 100% švieselė kartais mirkteli, rodydama, kad vyksta palaikomasis krovimas.

2 žingsnis: Prijunkite prie akumuliatoriaus

Atidžiai perskaitykite ir supraskite transporto priemonės savininko vadovą, kur paaiškintos specialiosios atsargumo priemonės ir nurodyti rekomenduojami transporto priemonės užvedimo nuo išorinio šaltinio metodai. Prieš naudodami šį įrenginį, nustatykite akumuliatoriaus įtampą ir cheminę sudėtį pagal jūsų akumuliatoriaus savininko vadovą. GB251 suderinamas tik su 24 voltų švino-rūgštinėmis akumuliatorių sistemomis užvedimui nuo išorinio šaltinio. Prieš prijungdami prie akumuliatoriaus, patikrinkite, ar turite 24V švino-rūgštinę akumuliatorių sistemą. GB251 netinka jokiems kitiems akumuliatorių tipams. Nustatykite reikiamą akumuliatoriaus gnybtų poliškumą. Teigiamas akumuliatoriaus gnybtas standartiškai žymimas šiomis raidėmis ar simboliu (POS, P, +). Neigiamas akumuliatoriaus gnybtas standartiškai žymimas šiomis raidėmis ar simboliu (NEG, N, -). Nejunkite prie karbiuratoriaus, kuro linijų ar plonų, lakštinio plieno dalių. Toliau nurodytos instrukcijos skirtos neigiamai įžeminimo sistemai (dažniausiai). Jei jūsų transporto priemonėje sumontuota teigiama įžeminimo sistema (labai retai), vadovaukitės transporto priemonės vadovu, kur nurodytos užvedimo nuo išorinio šaltinio instrukcijos.

1.) Prijunkite teigiamą (raudoną) baterijos apkabą prie teigiamo (POS, P, +) akumuliatoriaus gnybto ir neigiamą (juodą) akumuliatoriaus

Pakartotinio krovimo trukmė:	Kroviklio nominalas:
5hr	56W

Vidinės baterijos lygio



25% 50% 75% 100%

apkabą prie neigiamo (NEG, N, -) akumulatoriaus gnybto ar transporto priemonės važiuoklės.

3 žingsnis: **Užveskite**

- 1.)** Prieš bandydami užvesti automobilį įsitinkite, kad visi elektros prietaisai (šviesos, radijo imtuvai, kondicionierius ir kt.) išjungti.
- 2.)** Spauskite „Maitinimas“ mygtuką, kad pradėtumėte užvesti nuo išorinio šaltinio ir visi šviesos diodai sumirksės vieną kartą. Jei tinkamai prijungėte prie akumulatoriaus, įsijungs baltas sustiprinimo šviesos diodas ir akumulatoriaus įkrovimo šviesos diodai. 60 sek. atgalinis skaičiavimas prasidės tada, kai tik bus aptiktas akumulatorius.
- 3.)** Bandykite užvesti automobilį. Dažniausiai tai pasiseka iš karto. Kai kada prieš užvedant prijungus GB251 reikia palaukti apie 30 sekundžių. Jei automobilis iš karto neužsiveda, palaukite 20-30 sekundžių ir pabandykite dar kartą. Nebandykite sužadinti akumulatoriaus daugiau kaip penkis (5) kartus per penkiolikos (15) minučių laiko tarpą. Prieš bandydami užvesti iš naujo leiskite GB251 penkiolika (15) minučių pailsėti.
- 4.)** Kai variklis jau užvestas, atjunkite gnybtus nuo akumulatoriaus ir nuimkite GB251.

60 sek. skirtasis laikas.

60 sek. atgalinis skaičiavimas prasidės tuo metu, kai tik bus aptiktas akumulatorius. Praėjus 60 sek., paleidimo funkcija bus išjungta. Sustiprinimo šviesos diodai bus išjungti ir vidinio akumulatoriaus įkrovimo šviesos diodai nurodys einamąjį įrenginio įkrovimo lygį. Norėdami atkurti paleidimo funkciją, paspauskite maitinimo mygtuką, kad išjungtumėte įrenginį. Paspauskite maitinimo mygtuką dar kartą, kad įjungtumėte įrenginį ir pakartotinai aktyvuotumėte paleidimo funkciją.

DĖMESIO!

60 SEK. SKIRTASIS LAIKAS IŠJUNGIAMAS, KAI NAUDOJAMAS RANKINIS REŽIMAS. MAITINIMAS BUS TĖKIAMAS TOLIAU, KAI AKTYVUOTAS RANKINIS VALDYMAS. NORĖDAMI PASIEKTI MAKSIMALŲ PALEIDIMO NUO IŠORINIO ŠALTINIO SKAIČIŲ, REKOMENDUOJAMA IŠJUNGTI SUSTIPRINIMO ĮTAISĄ, KAI TIK PALEIDOTE TRANSPORTO PRIEMONĘ.

Žemos įtampos akumuliatoriai ir rankinis valdymas

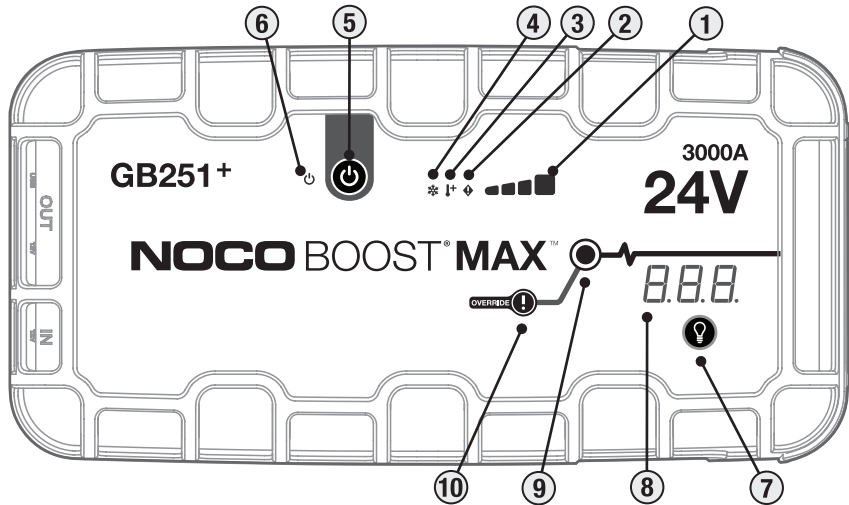
GB251 skirtas tik 24 voltų švino-rūgštinių akumuliatorių sistemų užvedimui nuo išorinio šaltinio, kai įtampa nukrenta iki 2 voltų. Jei jūsų akumuliatoriaus įtampa mažiau nei 2 voltai, sužadinimo šviesos diodai bus „išjungti“. Tai rodo, kad GB251 negali aptikti akumuliatoriaus. Jei jums reikia sužadinti mažiau nei iki 2 voltų įkrautą akumuliatorių, numatyta rankinio valdymo funkcija, kuri leidžia jums priverstinai „įjungti“ sužadinimo funkciją. Jei akumuliatorius įkrautas mažiau nei iki 2-voltų, sužadinimo šviesos diodai bus išjungti ir voltmetras nerodys įtampos.

DĖMESIO!

NAUDOKITE ŠĮ REŽIMĄ YPAČ ATSARGIAI. ŠIS REŽIMAS SKIRTAS TIK 24 VOLTŲ ŠVINO RŪGŠTINĖMS AKUMULIATORIŲ SISTEMOMS. KIBIRKŠTIES IR ATVIRKŠTINIO POLIŠKUMO APSAUGOS FUNKCIJOS IŠJUNGTOS. PRIEŠ NAUDODAMI ŠĮ REŽIMĄ ATKREIPKITE YPATINGĄ DĖMESĮ Į AKUMULIATORIAUS POLIŠKUMĄ. NELEIŠKITE SUSILIESTI TEIGIAMAM IR NEIGIAMAM AKUMULIATORIAUS GNYBTAMS AR JIEMS SUSIJUNGTI, NES GAMINYS GALI PRADĖTI KIBIRKŠČIUOTI. ŠIUO REŽIMU NAUDOJAMA LABAI AUKŠTA SROVĖ (IKI 3000 AMPERŲ), TODĖL ĮRENGINYS GALI PRADĖTI KIBIRKŠČIUOTI IR GALI IŠSISKIRTI DIDELIS KARŠTIS, JEI NAUDOSITE NETINKAMAI. JEI NESATE TIKRAS, KAIP NAUDOTI ŠĮ REŽIMĄ, NEBANDYKITE TO DARYTI IR KREIPKITĖS PAGALBOS Į SPECIALISTUS.

Jūsų USB ir 12V įrenginių maitinimas.

GB251 sumontuoti (2) USB-OUT (išėjimo) lizdai ir 12V-OUT (išėjimo) lizdas (12V AUX/ cigarečių degiklio lizdas). Prijunkite bet kokį standartinį USB įrenginį ar 12V įrenginį (iki 15A) ir įjunkite GB251, kad jūsų įrenginiams būtų tiekiamas maitinimas.



Sąsaja

1.) Vidinės baterijos lygio indikatorius rodo vidinės baterijos įkrovimo lygį.

2.) Raudona klaidos ("Error") Šviečia raudonai, jei nustatomas atvirkštinis poliškumas, arba mirksi „įjungta“ ir „išjungta“ įvairiomis sekomis (nuo 1 iki 6 mirksi), kad būtų galima pranešti apie klaidos sąlygas.

3.) Karšta LED lemputė šviečia ryškiai raudonai; įrenginys yra visiškai veikiantis, tačiau artėja prie viršutinės temperatūros ribos. Mirksi raudonai; įrenginys yra per karštas, kad būtų galima paleisti, tokioje būsenoje yra tik žibintuvėlis.

4.) Šalta LED lemputė šviečia ryškiai mėlynai, įrenginys yra visiškai veikiantis, tačiau artėja žemesnės temperatūros ribos. Mirksi mėlynai; įrenginys yra per šaltas, kad būtų galima paleisti, tokioje būsenoje yra tik žibintuvėlis.

5.) Prietaisas įjungiamas ("On") ir išjungiamas ("Off") jungimo ("Power") mygtuko paspaudimu.

6.) Kai prietaisas įjungtas, dega balta švieselė "On". Užsidegs oranžine spalva po 60 sekundžių skirtojo laiko skaičiavimo, kol spaustukai bus pašalinti iš automobilio akumulatoriaus arba „GB251“ bus išjungtas ir vėl „įjungtas“ maitinimas.

7.) Šviesos stiprumo ("Light Mode") mygtukas įjungia labai ryškų šviesos diodų prožektorių 7 režimais: 100% > 50% > 10% > SOS > Blink ("Mirksėjimas") > Strobe ("Blyksniai") > Off ("Išjungta").

8 . Voltmetras / atgalinis laikmatis Stebėjimui ir galimų gedimų nustatymui įmontuotas voltmetras rodo automobilio akumulatoriaus įtampą. Prijungus gnybtus voltmetras automatiškai nuskaito bet kurios baterijos (arba akumulatoriaus) įtampą, net jei prietaisas neįjungtas. Voltmetras rodo įtampą nuo ~3V iki ~30V. Jei prijungtos baterijos įtampa žemesnė nei 3V, įtampa nerodoma. Kai įtampa tokia žema, greičiausiai veikia kažkokia apkrova, pavyzdžiui, automobilio žibintai ar ventiliatorius; prieš bandant užvesti automobilį juos reikia išjungti. Kol įrenginys įjungtas ir aptikus akumuliatorių, voltmetras rodydys 60 sekundžių skirtojo laiko skaičiavimą.

9.) Balta įtampos kėlimo ("Boost") švieselė šviečia nemirksėdama, kai prietaisas teisingai prijungtas prie akumulatoriaus ir automatiškai aptikęs akumuliatorių GB251 ima veikti įtampos kėlimo režimu (kai pereinama prie rankinio valdymo, šviesdiodis blyksi balta šviesa).

10.) Rankinio valdymo ("Manual Override") mygtuką reikia paspaudus palaikyti tris (3) sekundes. **DĖMESIO! Taip atjungiamo apsauga ir priverstinai įjungiamas įtampos režimas. Naudojamas tik tada, kai akumulatoriaus įtampa yra per maža, kad ją būtų galima aptikti.**

Gedimai

	Error (Klaida)	Priežastis/sprendimas
⚠	Klaidos švieselė šviečia raudonai nemirksėdama	Neteisingas poliarumas. Sukeiskite kontaktus vietomis.
	Klaidos švieselė mirksi raudonai (laidai sujungti teisingai)	Baterijos gnybtuose aptiktas trumpasis jungimas. / Patikrinkite akumuliatorių profesionalu.
	Vienkartinis (1) sumirksėjimas	Baterijos gnybtuose aptiktas trumpasis jungimas. / Išjunkite visas apkrovas, prijunkite iš naujo apkabas prie akumuliatoriaus.
	Dviguba (2) blykstė	Aukšta įtampa aptikta prie spaustukų (GB251 yra prijungtas prie didesnės nei 24 V įtampos sistemos).
	Keturvietis (4) blykstė	Įkrovimo skirtojo laiko klaida (t. Y. „GB251“ buvo per ilgai įkrauta per ilgai)
	Penkis kartus (5) blykstė	XGC OUT per srovę (t. Y. Iš XGC OUT prievado imama daugiau nei 15 amperų)
	„Sextuple“ (6) blykstė	BMS (Battery Management System) gedimas. (Norėdami išvalyti, maitinimas GB251 vėl „išjungtas“ ir „įjungtas“. Jei problema išlieka, susisiekite su klientų palaikymo tarnyba)
⚡+	Karšta LED lemputė: ryški	Įrenginys visiškai veikia, tačiau artėja prie viršutinės temperatūros ribos. / Leiskite įrenginiui atvėsti.
	Karšta LED lemputė: mirksi	Įrenginys per karštas, kad būtų galima paleisti, tokioje būsenoje yra tik žibintuvėlis. / Leiskite įrenginiui atvėsti.
	Karšta LED lemputė: mirksi visos LED lemputės	Įrenginys per karštas, kad užvesti, bet vis dar yra kitų funkcijų. / Leiskite įrenginiui atvėsti ir nuneškite įrenginį į vėsesnę aplinką.
❄	Šalta LED lemputė: ryški	Įrenginys visiškai veikia, tačiau artėja prie žemutinės temperatūros ribos. / Leiskite įrenginiui sušilti.
	Šalta LED lemputė: mirksi	Įrenginys yra per šaltas, kad būtų galima paleisti, tik tokioje būsenoje yra žibintuvėlis / Leiskite įrenginiui sušilti.
	Šalta LED lemputė: mirksi visos LED lemputės Off išjungta	Įrenginys per šaltas, kad užvesti, bet vis dar yra kitų funkcijų. / Leiskite įrenginiui sušilti ir nuneškite įrenginį į šiltesnę aplinką.
	Įtampos švieselė neįsijiebia (laidai sujungti teisingai)	Akumuliatoriaus įtampa nesiekia 3 voltų. Išjunkite visas apkrovas ir pabandykite užvesti iš naujo, arba įjunkite rankinį valdymą.

Techninės sąlygos

Vidinė baterija: 137Wh Ličio jonų	12V (įvadas): 12V/5A (14V Maks)
Didžiausia leistina srovė: 3000A	12V (išvadas): 12V, 15V Maks
Darbinė temperatūra: -20°C iki +50°C	Apsaugos klasė: IP65 (kai dangteliai uždaryti)
Krovimo temperatūra: 0°C iki +40°C	Vėsinimas: Natūralūs srautai
Laikymo temperatūra: -20°C iki +50°C (vidutinė temperatūra)	Matmenys (I x P x A): 31,75 x 20,83 x 3,39 Centimetrai
USB (išvadas): 5V, 2,1A	Svoris: 6,19 kilogramų (13,65 lb)

NOCO ribota garantija vieniems (1) metams

NOCO kompanija ("NOCO") garantuoja, kad šis gaminys ("Gaminys") veiks be sutrikimų ir kokybiškai vienu (1) metų laikotarpiu nuo pirkimo datos ("Garantinis laikotarpis"). Garantiniu laikotarpiu pranešus apie gedimą, NOCO, atsižvelgiant į NOCO techninio skyriaus išvadą, savo nuožiūra arba sutaisys, arba pakeis Gaminį su trūkumais. Keičiamos detalės arba gaminiai bus nauji ar tinkami naudoti, paskirtimi ir veikimu atitinkantys pradinę detalę ir turintys garantiją iki pradinio Garantinio laikotarpio pabaigos.

ŠIUO TIKSLIAI APIBRĖŽIAMOS NOCO ATSAKOMYBĖS RIBOS: TAI KEITIMAS ARBA TAISYMAS. ĮSTATYMO RIBOSE, NOCO NEPRIVALO ATLYGINTI GAMINIO PIRKĖJUI AR BET KOKIEMS TRETIEMS ASMENIMS UŽ JOKIUS IŠIMTINIUS, NETIESIOGINIUS, ANTRINIUS AR BAUDINIUS NUOSTOLIUS, ĮSKAITANT (BET NEAPSIRIBOJANT) PRARASTĄ PELNĄ, SUGADINTĄ NUOSAVYBĘ AR TRAUMĄ, BET KOKIU BŪDU SUSIJUSIĄ SU GAMINIU, KAD IR KOKIA BŪTŲ PRIEŽASTIS, NET JEI NOCO IR ŽINOJO APIE TOKIŲ NUOSTOLIŲ TIKIMYBĘ. ČIA IŠDĖSTYTOS GARANTIJOS ATSTOJA BET KOKIAS KITAS GARANTIJAS, AIŠKIAS, NUMANOMAS, ĮSTATYMINES AR KITOKIAS, TAI PAT IR, BE IŠLYGŲ, NUMANOMAS PREKINĖS IŠVAIZDOS IR TINKAMUMO TAM TIKRAM TIKSLUI, BEI KYLANČIAS IŠ DALYKINIŲ SANTYKIŲ, VARTOJIMO AR PREKYBOS TVARKOS. JEI KOKIE NORS GALIOJANTYS ĮSTATYMAI REIKALAUJA GARANTIJŲ, SĄLYGŲ AR ĮSIPAREIGOJIMŲ,

KURIŲ NEJMANOMA ATŠAUKTI AR PAKEISTI, ŠIS STRAIPSNIS TAIKOMAS MAKSIMALIU ĮMANOMU LYGIU, NUMATYTU TOKIUOSE ĮSTATYMUOSE.

Ši ribota garantija nustatyta išimtinai tiesioginio Gaminio pirkėjo iš NOCO ar iš NOCO pasirinkto mažmenininko ar platintojo naudai ir negali būti perleista ar perduota. Norėdamas pareikšti garantines pretenzijas, pirkėjas privalo: (1) užsisakyti ir gauti leidimo grąžinti prekę ("RMA") numerį ir pranešimą apie grąžinimo adresą ("Return Location") iš NOCO Pagalbos skyriaus elektroninio pašto adresu support@no.co arba paskambinti telefonu 1.800.456.6626; ir (2) išsiųsti Gaminį grąžinimo adresu kartu su RMA numeriu, kvitu ar garantine įmoka (įmokos reikalaujama tik tada, kai nepateikiamas kvitas), kuri lygi 45% suderintos su gamintoju mažmeninės Gaminio kainos ("Garantinė įmoka") [RMA bus nurodyta taikoma Garantinės įmokos suma]. NESIŪSKITE GAMINIO, KOL NEGAVOTE IŠ NOCO LEIDIMO GRĄŽINTI PREKĘ.

TIESIOGINIS PIRKĖJAS ATSAKO UŽ (IR PRIVALO APMOKĖTI IŠ ANKSTO) VISAS PAKAVIMO IR SIUNTIMO IŠLAIDAS, SUSIJUSIAS SU GAMINIŲ SIUNTIMU GARANTINIAM REMONTUI.

NEPAISANT VISKO, KAS IŠDĖSTYTA AUKŠČIAU, ŠI RIBOTA GARANTIJA NEBEGALIOJA IR NETAIKOMA GAMINIAMS, KURIE: (a) naudoti ne pagal paskirtį, neprižiūrimi, sugadinti piktybiškai arba netyčia, netinkamai laikyti arba naudoti viršijant įtampas, temperatūros, kratymo, vibracijos ribas, rekomenduojamas NOCO saugaus ir efektyvaus vartojimo sąlygose; (b) neteisingai sumontuoti, naudoti ar taisyti; (c) yra/buvo perdaryti negavus specialaus raštiško NOCO sutikimo; (d) buvo išardyti, perdirbti arba taisyti ne NOCO darbuotojų; (e) kai apie gedimus pranešta pasibaigus garantiniam laikotarpiui.

ŠI RIBOTA GARANTIJA NEAPIMA: (1) įprastinio nusidėvėjimo; (2) kosmetinių pažeidimų, kurie nekenkia prietaiso veikimui; arba (3) gaminių be NOCO serijos numerio, taip pat su pakeistu ar neįskaitomu serijos numeriu.

NESUDĖTINGOS GARANTIJOS SĄLYGOS

Šios sąlygos taikomos tik šiam Gaminiai Garantiniu laikotarpiu. Ši nesudėtinga garantija negalioja pasibaigus nustatytam terminui nuo įsigijimo datos (pasibaigus nustatytam terminui nuo serijos numerio suteikimo datos, jei nėra įsigijimo įrodymų) arba nuo šiame dokumente anksčiau nurodytų sąlygų. Grąžinkite gaminį kartu su reikiama dokumentais.

Su kvitu:

1 metus: Nemokamai. Su pirkimo įrodymo dokumentais - garantinis laikotarpis pradedamas skaičiuoti nuo įsigijimo datos.

BE kvito:

1 metus: Nemokamai. BE pirkimo įrodymo dokumentų - garantinis laikotarpis pradedamas skaičiuoti nuo serijos numerio suteikimo datos.

Nusipirtą NOCO gaminį galite užregistruoti internetu no.co/register. Jei turite klausimų apie garantiją ar gaminį, susisiekite su NOCO Pagalba (el_pašto adresas ir telefono numeris pateikti aukščiau) arba rašykite adresu: The NOCO Company, at 30339 Diamond Parkway, #102, Glenwillow, OH 44139 USA.

NOCO BOOST[®] MAX[™] GB251+



BĪSTAMI!

Lietotāja rokasgrāmata un garantija



PIRMS ŠĪS IERĪCES LIETOŠANAS IZLASIET UN IZPROTIET VISU DROŠĪBAS INFORMĀCIJU. Neievērojot šeit iekļautās drošības norādes, varat izraisīt **ELEKTRISKĀS STRĀVAS TRIECIENU, EKSPLOZĪJU** vai **UGUNSGRĒKU**, kas var radīt **NOPIETNAS** vai **NAVĒJOSĀS TRAUMAS** vai **ĪPAŠUMA BOJĀJUMU**.



Elektriskās strāvas trieciens. Šī ir elektroierīce, kas var izraisīt elektriskās strāvas triecienu un radīt nopietnu traumu. Nesagrieziet barošanas vadus. Negremdējiet ierīci ūdenī un neļaujiet tai kļūt mitrai.



Eksplozija. Izmantojot šo ierīci neuzraudzītiem, nesaderīgiem vai bojātiem akumulatoriem, varat izraisīt to eksploziju. Kamēr ierīci lietojat, neatstājiet to bez uzraudzības. Neizmantojiet palaidēju bojātam vai sasalušam akumulatoram. Izmantojiet ierīci vienīgi ieteiktā sprieguma akumulatoriem. Izmantojiet ierīci labi vēdināmās telpās.



Ugunsdrošība. Šī ir elektroierīce, kas izstaro siltumu un var radīt apdegumus. Nenosedziet ierīci. Kamēr izmantojat ierīci, nesmēķējiet un nelietojiet nekādu elektrisku dzirksteļu vai liesmu avotu. Sargiet ierīci no viegli uzliesmojošiem materiāliem.



Acu traumas. Kad lietojat šo ierīci, izmantojiet acu aizsarglīdzekļus. Akumulatori var eksplodēt un radīt lidojošas daļiņas. Akumulatoru skābe var izraisīt acu un ādas kairinājumu. Ja piesārņojums ir nonācis acīs vai uz ādas, nekavējoties noskalojiet skarto vietu ar tīru tekošu ūdeni un sazinieties ar toksikoloģijas kontroles centru.



Eksplozīvās gāzes. Darbs svina-skābes akumulatora tuvumā ir bīstams. Akumulatori parastas akumulatora darbības laikā izdala eksplozīvās gāzes. Lai mazinātu akumulatora eksplozijas risku, ievērojiet visas drošības informācijas norādes un akumulatora ražotāja un jebkuras lietošanai akumulatora tuvumā paredzētas ierīces ražotāja instrukcijas. Pārskatiet brīdinājuma marķējumus uz šīm ierīcēm un dzinēja.

Latviski

Lai iegūtu plašāku informāciju
un atbalstu, dodieties uz:

www.no.co/support

Svarīgi norādījumi par drošību

UZMANĪBU

Manuālais režīms atspējo visus drošības līdzekļus. Ja to lieto nepareizi vai neatbilstoši ieteiktajam lietošanas veidam, var tikt izraisīta trauma vai nāve, kā arī tikt anulēta garantija. Aizdegšanās, sprādziena un apdegumu risks. Nesajaukt, nespaspiet, neuzsildīt virs 60 °C (140 °F) un nededzināt! Šī ierīce ir paredzēta īslaicīgai lietošanai ārpus telpām, un, lietojot ierīci mitrā vidē, jāievēro saprātīga piesardzība.

BRĪDINĀJUMS

Neuzlādējiet iekšējo akumulatoru vairāk kā nepieciešams! Skatīt instrukciju rokasgrāmatu. Nesmēkēt, neaizdedzināt sērkokociņu un neradīt dzirkstelī barošanas bloka tuvumā! Iekšējā akumulatora uzlāde ir jāveic tikai labi vēdināmā vietā un tikai tad, kad tas netiek lietots.

UZMANĪBU

Cilvēku savainošanas risks. Nelietojiet šo ierīci, ja strāvas vads vai akumulatora kabeli ir jebkādā veidā bojāti! Šī ierīce nav paredzēta izmantošanai komerciālās remonta iestādēs. Šī ierīce ir paredzēta glabāšanai telpās, kad tā netiek lietota. Šo ierīci nedrīkst uzglabāt vai atstāt ārpus telpām, kad tā netiek izmantota.

Kalifornijas pavalsts 1986. gada Likums par dzeramā ūdens drošumu un tā toksiskuma kontroli. Akumulatora spaiļes, pieslēgšanas spaiļes un saistītie piederumi satur ķīmiskas vielas, tostarp svīnu. Šie materiāli Kalifornijas pavalstī ir atzīti par tādiem, kas izraisa vēzi un iedzimtus defektus vai rada citu reproduktīvu bīstamību. **Personiski piesardzības pasākumi.** Izmantojiet ierīci vienīgi tai paredzētajā nolūkā. Kādai personai jāatrodas jūsu balss dzirdamības attālumā vai pietiekami tuvu, lai ārkārtas situācijā varētu jums palīdzēt. Nodrošiniet tuvumā tīru ūdeni un ziepes gadījumam, ja nonākat saskarē ar akumulatora skābi. Strādājot akumulatora tuvumā, lietojiet pilnīgus acu aizsarglīdzekļus un valkājiet aizsargapģērbu. Vienmēr pēc darba ar akumulatoriem un saistītiem materiāliem mazgājiet rokas. Strādājot ar akumulatoriem, neizmantojiet un nevalkājiet metāla priekšmetus, piemēram, darbarīkus, pulksteņus vai rotaslietas. Ja metāls nokrīt uz akumulatora, tas var izraisīt dzirksteles vai īssavienojumu, kā rezultātā var rasties elektriskās strāvas trieciens, ugunsgrēks vai eksplozija, radot smagu vai nāvējošu traumu vai īpašuma bojājumu. **Nepilngadīgas personas.** Ja "pircējs" iegādājas ierīci, paredzot, ka to lietos nepilngadīga persona, pieaugušais pircējs apņemas pirms ierīces lietošanas iepazīstināt nepilngadīgo personu ar precīzu instrukciju un brīdinājumiem. Pretējā gadījumā "pircējs" uzņemas pilnīgu atbildību un piekrist atbildzināt "NOCO" par jebkurām sekām, ja nepilngadīga persona ierīci lieto neparedzētā nolūkā vai nepareizi. **Aizrīšanās bīstamība.** Piederumi var radīt aizrīšanās risku bērniem. Neatstājiet bērnus bez uzraudzības ierīces vai piederumu tuvumā. Ierīce nav rotallīta. **Darbības ar ierīci.** Rīkojieties ar ierīci uzmanīgi. Triecieni var bojāt ierīci. Neizmantojiet bojātu ierīci, tostarp (bet ne tikai), ja tai ir iekšējais

corpuss vai bojāti kabeli. Neizmantojiet ierīci, ja barošanas vads ir bojāts. Mitrums un šķidrums var bojāt ierīci. Neestrādājiet ar ierīci vai elektriskām sastāvdaļām šķidrums tuvumā. Glabājiet un lietojiet ierīci sausā vietā. Nelietojiet ierīci, ja tā ir kļuvusi mitra. Ja ierīci jau lietojat un tā kļūst mitra, nekavējoties atvienojiet to no akumulatora un pārtrauciet lietot. Neatvienojiet ierīci, velkot aiz kabeliem. Pārveidojumi. Nemēģiniet mainīt, pārveidot vai remontēt kādu ierīces daļu. Ierīces izjaukšana var izraisīt smagu vai nāvējošu traumu vai bojāt īpašumu. Ja ierīce ir bojāta, darbojas ar traucējumiem vai nonāk saskarē ar šķidrums, pārtrauciet to lietot un sazinieties ar "NOCO". Jebkuri ierīces pārveidojumi anulēs garantiju.

Piederumi. Šī ierīce ir apstiprināta lietošanai vienīgi ar "NOCO" piederumiem. "NOCO" neuzņemas atbildību par lietotāja drošību vai bojājumu, izmantojot "NOCO" neapstiprinātus piederumus.

Novietojums. Neļaujiet akumulatora skābei nonākt saskarē ar ierīci. Neizmantojiet ierīci noslēgtās telpās vai vietā ar ierobežotu ventilāciju. Nenovietojiet akumulatoru uz ierīces virsmas. Savienotājvadus izvietoiet tā, lai novērstu to nejaušu bojāšanu, ko var izraisīt kustīgas transportlīdzekļa daļas (tostarp pārsegs un durvis) vai darbībā esošas dzinēja daļas (tostarp ventilatora lāpstiņas, siksnas un skriemeļi), vai tādas situācijas rašanos, kas var izraisīt smagu vai nāvējošu traumu.

Darba temperatūra. Šī ierīce ir paredzēta darbam vides temperatūrā no -20 °C līdz 50 °C. Neizmantojiet ierīci ārpus norādītā temperatūras diapazona. Neizmantojiet palaidēju sasalušam akumulatoram. Ja akumulators pārāk sakarst, nekavējoties pārtrauciet ierīci lietot.

Glabāšana. Neizmantojiet vai neglabājiet ierīci vietās, kurās ir augsta putekļu vai gaisā izdalītu vielu koncentrācija. Glabājiet ierīci uz līdzenas, drošas virsmas, lai tā nenokristu. Glabājiet ierīci sausā vietā. Glabāšanas temperatūra ir no -20 °C līdz 50 °C (vidējā temperatūra). Nekādā gadījumā temperatūra nedrīkst pārsniegt 80 °C.

Saderība. Šī ierīce ir saderīga vienīgi ar 12VOLTU svina-skābes akumulatoru sistēmām. Nemēģiniet izmantot ierīci cita veida akumulatoram. Izmantojot iedarbināšanu no ārēja strāvas avota akumulatoram ar citu ķīmisko sastāvu, varat izraisīt smagu vai nāvējošu traumu vai bojāt īpašumu. Pirms mēģināt uzlādēt akumulatoru no ārēja strāvas avota, sazinieties ar akumulatora ražotāju. Neveiciet akumulatora uzlādi no ārēja strāvas avota, ja skaidri nezināt akumulatora ķīmisko sastāvu vai spriegumu.

Akumulators. Ierīcē iebūvēto litija-jonu akumulatoru drīkst mainīt vienīgi "NOCO" pārstāvis, un akumulators utilizācijai ir jānodod atsevišķi no māsaimniecības atkritumiem. Nemēģiniet akumulatoru mainīt saviem spēkiem un neveiciet nekādas darbības ar tādu litija-jonu akumulatoru, kurš ir bojāts vai kuram ir noplūde. Nekādā gadījumā neizmetiet akumulatoru māsaimniecības atkritumos. Akumulatoru nodošana māsaimniecības atkritumos ir nelikumīga saskaņā ar pavalsts un federālajiem vides tiesību aktiem un noteikumiem. Izlietotos akumulatorus vienmēr nogādājiet vietējā akumulatoru savākšanas centrā. Ja ierīces akumulators ir ārkārtīgi karsts, izdala smaku, ir deformēts, bojāts vai tam ir novērojams kas neparasts, nekavējoties pārtrauciet ierīci izmantot un sazinieties ar "NOCO".

Akumulatora uzlāde. Šīs ierīces uzlāde jāveic ar komplektā iekļauto 12V līdzstrāvas automašīnas lādētāju vai XGC4 sienā iebūvēto lādētāju. Neizmantojiet universālos vai trešo pušu strāvas adapterus, jo tie var radīt nopietnus elektriskus riskus, kas var izraisīt traumu personām vai bojāt ierīci vai īpašumu. Izmantojot bojātus kabelus vai lādētājus, vai uzlādējot mitruma klātbūtnē, var tikt izraisīts elektrošoks. NOCO neatbild par lietotāja drošību, ierīces vai īpašuma bojājumiem, ja tiek lietoti piederumi vai izejmateriāli, ko nav apstiprinājis uzņēmums NOCO. Izmantojot

sienā iebūvēto lādētāju XGC4, pārliedcinieties, vai maiņstrāvas spraudnis ir pilnībā ievietots adapterī, un tikai tad pievienojiet to strāvas kontaktligzdai. Strāvas adapteris normālos lietošanas apstākļos var sasilt, tāpēc tā ilgstoša saskare ar ādu var izraisīt miesas bojājumus. Izmantojot strāvas adapteri, vienmēr nodrošiniet atbilstošu ventilāciju ap to. Lai nodrošinātu maksimālu akumulatora darbības laiku, izvairieties no produkta uzlādes ilgāk par nedēļu, jo pārmērīga uzlāde var sāīsīnāt akumulatora darbības laiku. Laika gaitā neizlietotais produkts izlādējas, un tas pirms lietošanas ir jāuzlādē. Atvienojiet produktu no elektrības avotiem, kad tas netiek lietots. Lietojiet produktu tikai tam paredzētajiem mērķiem. **Medicīniskas ierīces.** Palaidējs var izstarot elektromagnētisko lauku. Tajā ir magnētiskas sastāvdaļas, kuras var traucēt elektrokardiosimulatoru, defibrilatoru vai citu medicīnisku ierīču darbību. Šāds elektromagnētiskais lauks var traucēt elektrokardiosimulatoru vai citu medicīnisku ierīču darbību. Ja izmantojat kādu medicīnisku ierīci, tostarp elektrokardiosimulatoru, pirms šī palaidēja lietošanas konsultējieties ar savu ārstu. Ja rodas aizdomas, ka palaidējs traucē medicīniskās ierīces darbību, nekavējoties pārtrauciet to lietot un konsultējieties ar ārstu. **Medicīnisks stāvoklis.** Ja jums ir tāds medicīnisks stāvoklis, kuru ierīce, jūsaprāt, var ietekmēt, tostarp (bet ne tikai) epileptiskas lēkmes, īslaicīgi samaņas zudumi, acu pārpūle vai galvassāpes, pirms ierīces lietošanas konsultējieties ar savu ārstu. Iebūvētā jaudīgā lukturiņa izmantošana ietver jutīguma pret gaismu risku. Lukturiņa izmantošana stroboskopiskajā režīmā vai izraisīt lēkmes personām ar fotojutīgu epilepsiju, radot nopietnu vai nāvējošu traumu. **Lukturiņis.** Skatīšanās tieši lukturiņā var izraisīt neatgriezenisku acs traumu. Ierīce ir aprīkota ar jaudīgu iepriekš fokusētu gaismas diodes lukturiņi, kas augstākajā iestatījumā izstaro spēcīgu gaismu. **Tīrīšana.** Pirms apkopes vai tīrīšanas izslēdziet ierīci. Ja ierīce nonāk saskarē ar šķidrumu vai jebkādu piesārņojumu, nekavējoties notīriet to un nožāvējiet. Izmantojiet mikstu, plūksnas nesaturošu (mikrošķiedru) drāniņu. Neļaujiet mitrumam nonākt atverēs. **Eksplozīva vide.** Ievērojiet visas norādes un instrukcijas. Neizmantojiet ierīci vidē, kurā ir eksplozijas bīstamība, tostarp degvielas uzpildes zonās vai vietās, kurās ir ķīmiskas vielas vai tādas daļiņas kā graudi, putekļi vai metāla pulveri. **Augsta riska darbības.** Šī ierīce nav paredzēta lietošanai gadījumos, kad tās kļūme var izraisīt smagu vai nāvējošu traumu vai nopietnu kaitējumu videi. **Radiofrekvenču traucējumi.** Ierīce ir izstrādāta, pārbaudīta un ražota atbilstoši radiofrekvenču starojuma noteikumu prasībām. Šāds ierīces starojums var nelabvēlīgi ietekmēt citu elektronisku ierīču darbību, veicinot to disfunkciju. **Modeļa numurs: GB251.** Šī ierīce atbilst FCC (Federālās sakaru komisijas) noteikumu 15. daļas prasībām. Lietošana ir pakļauta šādiem diviem nosacījumiem: 1) šī ierīce nedrīkst radīt kaitīgus traucējumus, un 2) šai ierīcei ir jābūt izturīgai pret uztvertajiem ārējiem traucējumiem, tostarp traucējumiem, kas var izraisīt nevēlamu darbību. **PIEZĪME.** Šī ierīce tika pārbaudīta un atzīta par atbilstošu visiem A klases digitālajām ierīcēm noteiktajiem ierobežojumiem saskaņā ar FCC noteikumu 15. sadaļu. Šie ierobežojumi ir paredzēti, lai nodrošinātu pietiekamu aizsardzību pret kaitīgiem traucējumiem, kad ierīce tiek izmantota komerciālā vidē. Šī ierīce ģenerē, izmanto un var izstarot radiofrekvenču enerģiju, tādēļ gadījumā, ja ierīce nav uzstādīta un lietota saskaņā ar rokasgrāmatā minētajām norādēm, tā var radīt radiosakariem nepieļaujamus traucējumus. Šīs ierīces lietošana dzīvojamās telpās var radīt nelabvēlīgu iedarbību, un šādā gadījumā lietotājam būs jānovērš traucējumi, pašam sedzot izdevumus.

Kā lietot

1. darbība. **Uzlādējiet ierīci GB251.**

Modelis GB251 tiek piegādāts daļēji uzlādētā veidā, un pirms lietošanas tas ir jāuzlādē līdz galam. Pievienojiet ierīci GB251, izmantojot komplektā iekļauto 12V līdzstrāvas automašīnas lādētāju pie 12V ieejas pieslēgvietas. GB251 uzlādes laiks atšķirsies atkarībā no izlādes līmeņa un izmantotā enerģijas avota. Faktiskie rezultāti var atšķirties atkarībā no akumulatora stāvokļa un izlādes pakāpes.

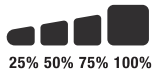
Atkārtotas uzlādes laikā iebūvētā akumulatora uzlādes līmeni norāda uzlādes gaismas diodes. Gaismas diodes lēnām mirgo, iedegoties un nodziestot, un paliek degam, līdz visas četras uzlādes gaismas diodes deg. Kad akumulators ir pilnīgi uzlādēts, zaļā 100 % uzlādes gaismas diode deg, bet 25 %, 50 % un 75 % uzlādes gaismas diodes nodziest. Zaļā 100 % uzlādes gaismas diode palaikam mirgo, norādot, ka notiek uzturēšanas uzlāde.

2. darbība. **Pievienojiet pie akumulatora.**

Uzmanīgi izlasiet un izprotiet transportlīdzekļa īpašnieka rokasgrāmatu par īpašajiem piesardzības pasākumiem un ieteicamajām transportlīdzekļa iedarbināšanas metodēm, izmantojot ārēju strāvas avotu. Pirms šī produkta lietošanas noteikti nosakiet akumulatora spriegumu un ķīmisko sastāvu, skatot akumulatora īpašnieka rokasgrāmatu. Modelis GB251 ir paredzēts tikai 24Voltu svina-skābes akumulatoru sistēmu iedarbināšanai no ārēja strāvas avota. Pirms savienojuma izveides ar akumulatoru pārbaudiet, vai jums ir 24Voltu svina-skābes akumulatoru sistēma. Modelis GB251 nav piemērots cita tipa akumulatoriem. Konstatējiet, kāda ir akumulatora spaiļu polaritāte. Pozitīvo spaiļu parasti apzīmē ar šiem burtiem vai simbolu (POS, P, +). Negatīvo spaiļu parasti apzīmē ar šiem burtiem vai simbolu (NEG, N, -). Neveidojiet savienojumus ar karburatoru, degvielas cauruļvadiem vai plānām, lokšņu metāla daļām. Tālāk sniegtie norādījumi attiecas uz negatīvo zemējuma sistēmu (visbiežāk). Ja jūsu transportlīdzeklim ir pozitīva zemējuma sistēma (loti reti), skatiet transportlīdzekļa rokasgrāmatā norādījumus par pareizu iedarbināšanu no ārēja strāvas avota.

Atkārtotas uzlādes laiks:	Uzlādes ierīces pamata parametri:
5hr	56W

Iebūvētā akumulatora līmenis



1.) Nospiediet ieslēgšanas/izslēgšanas pogu, lai sāktu iedarbināšanu, un visi indikatori vienreiz nomirgos. Ja akumulators ir pievienots pareizi, iedegas baltais pastiprināšanas indikators un secīgi iedegas akumulatora uzlādes indikatori. Tiklīdz akumulators ir noteikts, sākas 60 sekunžu noildzes atskaite.

3. darbība. **Iedarbināšana no ārēja strāvas avota.**

1.) Pirms mēģināt iedarbināt transportlīdzekli no ārēja strāvas avota, pārbaudiet, vai visas tā elektroierīces (priekšējie lukturi, radio, gaisa kondicionieris u. c.) ir izslēgtas.

2.) Nospiediet ieslēgšanas/izslēgšanas pogu, lai sāktu iedarbināšanu no ārēja strāvas avota, un visi indikatori vienreiz nomirgos. Ja akumulators ir pievienots pareizi, iedegas baltais pastiprinātas darbības indikators un secīgi iedegas akumulatora uzlādes indikatori. Tiklīdz akumulators ir noteikts, sākas 60 sekunžu noildzes atskaite.

3.) Mēģiniet iedarbināt transportlīdzekli. Lielākā daļa transportlīdzekļu tiks iedarbināti nekavējoties. Dažiem transportlīdzekļiem var būt nepieciešams, lai ierīce GB251 ir pievienota līdz 30 sekundēm pirms iedarbināšanas. Ja transportlīdzekli nevarat tūlīt iedarbināt, pagaidiet 20–30 sekundes un mēģiniet vēlreiz. Nemēģiniet iedarbināt transportlīdzekli ar palaidēju vairāk kā 5 (piecas) reizes pēc kārtas 15 (piecpadsmit) minūšu laikā. Ļaujiet ierīcei GB251 atpūsties 15 (piecpadsmit) minūtes, pirms mēģināt vēlreiz iedarbināt transportlīdzekli ar palaidēju.

4.) Kad transportlīdzeklis ir iedarbināts, atvienojiet akumulatora spaiļus un noņemiet ierīci GB251.

60 sekunžu noildze.

Tiklīdz akumulators ir noteikts, sākas 60 sekunžu atskaite. Kad 60 sekundes ir pagājušas, startēšanas funkcija, izmantojot ārējo strāvas avotu, tiek deaktivizēta. Pastiprināšanas indikators izslēdzas, un iekšējā akumulatora uzlādes indikatori norāda pašreizējo bloka uzlādes līmeni. Lai atiestatītu funkciju iedarbināšanai no ārējā strāvas avota, nospiediet strāvas pogu. Lai ierīci ieslēgtu un atsāktu iedarbināšanu no ārējā strāvas avota, vēlreiz nospiediet strāvas pogu.

UZMANĪBU!

IZMANTOJOT MANUĀLO IGNOREŠANAS REŽĪMU, 60 SEKUNŽU NOILDZE IR ATSPĒJOTA. KAMĒR MANUĀLĀ IGNOREŠANA IR AKTIVIZĒTA, STRĀVAS PADEVE TURPINĀS. LAI PALIELINĀTU IEDARBINĀŠANAS REIŽU SKAITU, IZMANTOJOT ĀRĒJO STRĀVAS AVOTU, PASTIPRINĀŠANAS BLOKU IETEICAMS IZSLĒGT, TIKLĪDZ TRANSPORTLĪDZEKLIS IR IEDARBINĀTS.

Zemsprieguma akumulatori un manuāla darbība

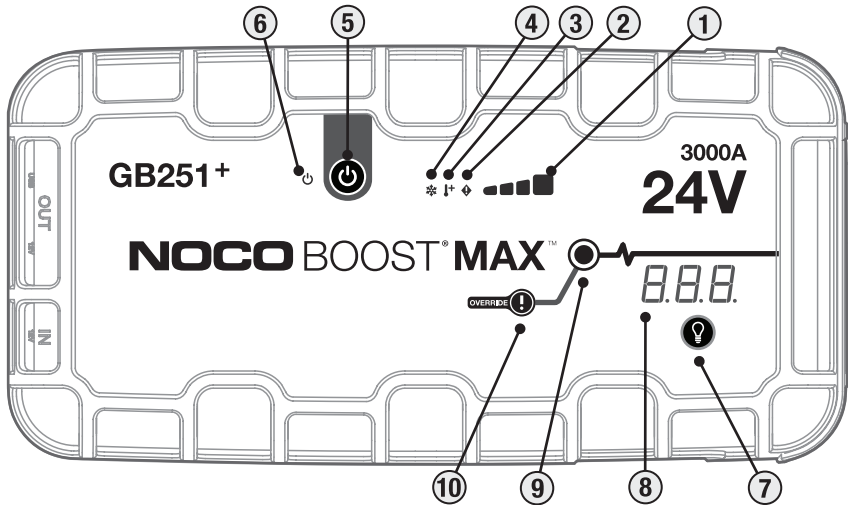
Modelis GB251 ir paredzēts tikai 24Voltu svina-skābes akumulatoru sistēmu ar spriegumu no 2 voltiem iedarbināšanai no ārēja strāvas avota. Ja akumulatora spriegums ir zem 2 voltiem, pastiprinātas darbības indikators nedarbojas. Tas norāda, ka ierīce GB251 nevar noteikt akumulatoru. Ja jāveic iedarbināšana no ārēja strāvas avota, bet akumulatora spriegums ir zem 2 voltiem, jāizmanto manuāla darbināšana, kas ļauj forsēti ieslēgt funkciju iedarbināšanai no ārēja strāvas avota. Ja akumulatora spriegums ir mazāk par 2 voltiem, pastiprinātas darbības indikators nedarbojas un voltmētrs neuzrāda spriegumu.

UZMANĪBU!

ŠIS REŽĪMS JĀIZMANTO SEVIŠKI PIESARDŽĪGI. ŠIS REŽĪMS IR PAREDZĒTS TIKAI 24VOLTU SVINA-SKĀBES AKUMULATORU SISTĒMĀM. GAN AIZSARDŽĪBA PRET DZIRKŠTELĒM, GAN PRETĒJAS POLARITĀTES AIZSARDŽĪBAS FUNKCIJA IR ATSPĒJOTA. PIRMS ŠĪ REŽĪMA IZMANTOŠANAS ĪPAŠU UZMANĪBU PIEVĒRSIET AKUMULATORA POLARITĀTEI. NEPIELĀUJIET POZITĪVĀS UN NEGATĪVĀS AKUMULATORA SPAILĒS SAVSTARPĒJU SASKARŠANOS VAI SAVIENOJUMU, JO TIKS RADĪTAS DZIRKŠTELES. ŠAJĀ REŽĪMĀ TIEK IZMANTOTA ĻOTI ŠTĪPRA STRĀVA (LĪDZ 3000 A), KAS VAR IZRAISĪT DZIRKŠTELES UN LIELU KARSTUMU, JA REŽĪMU NELIETO PAREIZI. JA NEJŪTĀTIES DROŠĪ ATTIECĪBĀ UZ ŠĀ REŽĪMA LIETOŠANU, NEMĒĢINIET TO DARĪT UN LŪDZIET PROFESIONĀLU PALĪDZĪBU.

USB un 12V ierīču pievienošana barošanas avotam.

Ierīcei GB251 ir (2) USB izejas pieslēgvietas un 12V izejas pieslēgvietas (12V papildu/ piesmēķētāja pieslēgvietas). Lai sāktu savas ierīces barošanu, iespraudiet jebkuru standarta 12V ierīci (līdz 15A) ar 12V spraudni un ieslēdziet ierīci GB251.



Saskarne

1.) Iebūvētā akumulatora līmenis Rāda iebūvētā akumulatora uzlādes līmeni.

2.) Kļūdas gaismas diode Iedegas sarkanā krāsā, ja tiek konstatēta pretēja polaritāte, vai dažādās secībās (no 1 līdz 6 mirgo) mirgo "ieslēgts" un "izslēgts", lai paziņotu par kļūdas apstākļiem.

3.) Karstuma gaismas diode. Deg sarkanā krāsā: ierīce ir pilnīgi izmantojama, bet tuvojas augšējai temperatūras robežai. Mirgo sarkanā krāsā; vienība ir pārāk karsta, lai sāktu, šajā stāvoklī ir pieejams tikai lukturis.

4.) Aukstuma gaismas diode. Deg zilā krāsā: ierīce ir pilnīgi izmantojama, bet tuvojas apakšējai temperatūras robežai. Mirgo zilā krāsā; ierīce ir pārāk auksta, lai sāktu, šajā stāvoklī ir pieejams tikai lukturis.

5.) Ieslēgšanas/izslēgšanas poga Nospiediet, lai ierīci ieslēgtu un izslēgtu.

6.) Barošanas gaismas diode Deg, kad ierīce ir ieslēgta. Iedegsies oranžā krāsā pēc 60 sekunžu noildzes laika atskaites, līdz skavas tiks noņemtas no automašīnas akumulatora vai GB251 atkal tiks izslēgta un atkal ieslēgta.

7.) Gaismas režīma poga Pārslēdz īpaši spilgtos gaismas diodi 7 gaismas režīmos: 100 % > 50 % > 10 % > SOS > Mirgo > Stroboskopisks apgaismojums > Izslēgta

8. Voltmets / atpakaļskaitīšanas taimeris Lai uzlabotu diagnostiku un novērstu problēmas, iebūvētais voltmets lasa transportlīdzekļa akumulatora spriegumu. Kad akumulatora spaiļi ir pievienoti, voltmets automātiski lasa akumulatora (vai akumulatora sistēmas) spriegumu, pat ja ierīcei nav pieslēgta barošana. Voltmets lasa spriegumu diapazonā no ~3 V līdz ~30 V. Ja pievienotā akumulatora spriegums ir zem 3 V, displejā nekas netiek rādīts. Ja spriegums ir tik zems, iespējams, akumulatoram ir papildu slodze, piemēram, ieslēgti priekšējie lukturi vai mainstrāvas ventilators, kas ir jāizslēdz, pirms mēģināt iedarbināt transportlīdzekli. Kamēr ierīce ir ieslēgta un pēc akumulatora noteikšanas, voltmets parādis 60 sekunžu taimera atskaiti.

9.) Forsētās uzlādes gaismas diode Deg baltā krāsā, kad forsētā uzlāde ir aktīva. Ja ierīce GB251 akumulatoram ir pievienota pareizi, tā automātiski nosaka akumulatoru un pārslēdzas forsētās uzlādes režīmā (gaismas diode mirgo baltā krāsā, kad manuālās vadības funkcija ir aktīva).

10.) Manuālās vadības poga Lai iespējotu, nospiediet un turiet nospiestu 3 (trīs) sekundes. **BRĪDINĀJUMS!** Atspējo drošības aizsardzību un manuāli ieslēdz forsēto uzlādi. Lietojams tikai tad, ja akumulatora spriegums ir pārāk zems, lai to varētu noteikt.

Problēmu novēršana

	Kļūda	Iemesls/risinājums
⚠	Kļūdas gaismas diode: deg sarkanā krāsā	Pretēja polaritāte/mainiet spaiļu savienojumus.
	Kļūdas gaismas diode: mirgo sarkanā krāsā, ja kabeli pievienoti pareizi	Uz akumulatora spailēm konstatēts īssavienojums. / Pārbaudiet akumulatoru profesionālim.
	Vienu (1) reizi mirgo	Uz akumulatora spailēm konstatēts īssavienojums. / Atslēdziet visas slodzes, pievienojiet spaiļes atpakaļ pie akumulatora.
	Divkārsa (2) zibspuldze	Augsts spriegums, kas noteikts pie skavām (GB251 ir pievienots sprieguma sistēmai, kas lielāka par 24 V).
	Četrvietīga (4) zibspuldze	Uzlādes noildzes kļūda (t.i., GB251 ir pārāk ilgi beztaras maksas)
	Piecu (5) zibspuldze	XGC OUT pa strāvu (t.i., no XGC OUT porta tiek ņemti vairāk nekā 15 ampēri)
!+	Seši (6) zibspuldze	BMS (Battery Management System) kļūme. (Strāvas padeve GB251 vēlreiz ir izslēgta un ieslēgta, lai notīrītu. Ja problēma joprojām pastāv, sazinieties ar klientu atbalsta dienestu)
	Karstuma gaismas diode: deg.	Ierīce ir pilnībā darbināma, bet tuvojas augšējai temperatūras robežai. / Ļaujiet ierīcei atdzist.
	Karstuma gaismas diode: mirgo.	Ierīce ir pārāk karsta, lai sāktu, šajā stāvoklī ir pieejams tikai lukturnis. / Ļaujiet ierīcei atdzist.
	Karstuma gaismas diode: mirgo, pēc tam visas gaismas diodes nodziest.	Ierīce ir pārāk karsta, lai izmantotu kā ārēju strāvas avotu vai lietotu citas funkcijas. / Ļaujiet ierīcei atdzist un pārvietojiet to vēsākā vidē.

❄️	Aukstuma gaismas diode: deg.	ierīce ir pilnībā darbināma, bet tuvojas apakšējai temperatūras robežai. / Ļaujiet ierīcei sasilt.
	Aukstuma gaismas diode: mirgo.	ierīce ir pārāk auksta, lai sāktu, tikai šādā stāvoklī ir pieejams tikai luksturis / Ļaujiet ierīcei sasilt.
	Aukstuma gaismas diode: mirgo, pēc tam visas gaismas diodes nodziest.	ierīce ir pārāk auksta, lai izmantotu kā ārēju strāvas avotu vai lietotu citas funkcijas. / Ļaujiet ierīcei sasilt un pārvietojiet to siltākā vidē.
	Forsētās uzlādes gaismas diode neiedegas, ja kabeļi pievienoti pareizi	Pievienotā akumulatora spriegums ir zem 3 voltiem/noņemiet visu slodzi un mēģiniet vēlreiz vai izmantojiet manuālās vadības režīmu.

Tehniskā specifikācija

Iebūvētais akumulators: 137Wh Litija jonu	12V (ieeja): 12V/5A (14V Maks)
Maksimālā strāva: 3000A	12V (izeja): 12V, 15V Maks
Darba temperatūra: no -20 °C līdz +50 °C	Korpasa aizsardzība: IP65 (ar noslēgtiem portiem)
Uzlādes temperatūra: no 0 °C līdz +40 °C	Dzesēšana: Dabiska konvekcija
Glabāšanas temperatūra: no -20 °C līdz +50 °C (vid. temp.)	Izmēri (P x G x A) 31,75 x 20,83 x 3,39 Centimetri
USB (izeja): 5 V, 2,1 A	Svars: 6,19 kilogrami (13,65 lb)

“NOCO” 1 (viena) gada ierobežota garantija.

Uzņēmums “NOCO” (“NOCO”) garantē, ka šis produkts (“Produkts”) būs bez materiālu un apdares defektiem 1 (vienu) gadu no pirkuma datuma (“Garantijas periods”). Defektus, kuri tiks ziņoti Garantijas perioda laikā, “NOCO” pēc saviem ieskatiem novērsīs vai arī aizstās defektīvos Produktus ar citiem. Aizstāšanas detaļas vai produkti būs jauni vai funkcionāli izmantojami un ar oriģinālajai daļai līdzvērtīgām funkcijām un veiktspēju, kā arī ar garantiju sākotnējā Garantijas perioda atlikušajam laikam.

“NOCO” ATBILDĪBA TĀDĒJĀDI IR SKAIDRI IEROBEŽOTA AR AIZSTĀŠANU VAI REMONTU. CIKTĀL TO ATĻAUJ TIESĪBU AKTI, “NOCO” NEUZŅEMAS ATBILDĪBU PRET PRODUKTA PIRCĒJU VAI TREŠO PERSONU PAR JEBKĀDU ĪPAŠU, NETIEŠU, IZRIETOŠU KAITĒJUMU VAI SODA SANKCIJĀM, TOSTARP (BET NE TIKAI) PAR JEBKĀDĀ VEIDĀ AR PRODUKTU SAISTĪTU RADUŠOS PELNAS ZAUDĒJUMU, ĪPAŠUMA BOJĀJUMU VAI PERSONAS TRAUMU, PAT JA “NOCO” BIJA INFORMĀCIJA PAR ŠĀDA KAITĒJUMA IESPĒJĀMĪBU. ŠEIT IZKLĀSTĪTĀJĀM GARANTIJĀM IR TĀDS PATS JURIDISKAIS SPĒKS KĀ VISĀM CITĀM SKAIDRI VAI NETIEŠI AR LIKUMU VAI CITĀDI NOTEIKTĀM GARANTIJĀM, TOSTARP (BEZ IEROBEŽOJUMA) DOMĀJAMĀM GARANTIJĀM PAR ĀTBILSTĪBU TIRDZNICĪBAS PRASĪBĀM UN PIEMĒROTĪBU NOTEIKTAM NOLŪKAM, KĀ ARĪ TĀM, KAS IZRIET NO IERASTĀS PRAKSES, LIETOŠANAS VAI TIRDZNICĪBAS PRAKSES. JA KĀDI PIEMĒROJAMIE TIESĪBU AKTI NOSAKA GARANTIJAS, NOSACĪJUMUS VAI PIENĀKUMUS, KO NEVAR IZSLĒGT VAI MAINĪT, ŠIS PUNKTS IR PIEMĒROJAMS, CIKTĀL TO PIELĀUJ ATTIECĪGIE TIESĪBU AKTI.

Šī ierobežotā garantija ir piemērojama vienīgi Produkta sākotnējam pircējam, kurš to iegādājās no “NOCO” vai tā apstiprināta tālākpārdevēja vai izplatītāja, un nav piešķirama vai nododama citai personai. Lai izmantotu garantijas prasību, pircējam ir: 1) jāpieprasa un jāsaņem no “NOCO” preces atdošanas atļaujas (return merchandise authorization — “RMA”) numurs un nosūtīšanas adreses informācija (“Nosūtīšanas adrese”), nosūtot e-pasta vēstuli uz adresi support@no.co vai zvanot pa tālruni 1 800 456 6626; un 2) jānosūta uz Nosūtīšanas adresi Produkts, pievienojot RMA numuru, kvīti vai garantijas maksu (maksu vajadzīga vienīgi gadījumā, ja netiek sūtīta kvīts) 45 % apmērā no ražotāja noteiktās defektīvā Produkta mazumtirdzniecības cenas (“Garantijas maksa”) [RMA atļaujā būs norādīta piemērojamā Garantijas maksa]. NESŪTIET PRODUKTU, IEPRIEKŠ NESANĒMOT NO “NOCO” ATBALSTA DIENESTA RMA ATĻĀUJU.

LAI NOSŪTĪTU PRODUKTUS GARANTIJAS PAKALPOJUMA SAŅEMŠANAI, SĀKOTNĒJAM PIRCĒJAM, IEPRIEKŠ VEICOT MAKSĀJUMU, IR JĀSEDZ VISAS IEPAKOŠANAS UN TRANSPORTĒŠANAS IZMAKSAS.

NESKATOTIES UZ IEPRIEKŠ MINĒTO, ŠĪ IEROBEŽOTĀ GARANTIJA TIEK ANULĒTA UN NAV PIEMĒROJAMA PRODUKTIEM, KAS: a) ir izmantoti nepareizā nolūkā vai veidā vai ir nepiemēroti uzturēti vai neuzmanīgi lietoti, kam radīts bojājums, kas nepareizi glabāti vai darbināti tādos paaugstināta sprieguma, ārkārtējas temperatūras, triecienu vai vibrācijas apstākļos, kas neatbilst "NOCO" ieteikumiem par drošu un efektīvu lietošanu; b) ir nepareizi uzstādīti, darbināti vai uzturēti; c) ir/bija pārveidoti bez skaidras "NOCO" rakstiskas piekrišanas; d) ir izjaukti, izmainīti vai remontēti, ko veikusi cita, ne "NOCO" pilnvarota persona; e) ir ar defektiem, kuri ziņoti pēc Garantijas perioda.

ŠĪ IEROBEŽOTĀ GARANTIJA NEATTIECAS UZ: 1) normālu nolietojumu, 2) kosmētisku bojājumu, kas neietekmē funkcionalitāti, vai 3) Produktiem, kuriem nav "NOCO" sērijas numura vai tas ir mainīts vai nav salasāms.

VIENKĀRŠĀS GARANTIJAS NOSACĪJUMI

Šie nosacījumi attiecas tikai uz produktu garantijas periodā. Vienkāršā garantija tiek anulēta vai nu tad, kad pagājis noteikts laiks kopš pirkuma datuma (pagājis laiks no sērijas numura datuma, ja nav pierādījuma par pirkumu), vai atbilstoši nosacījumiem, kas uzskaitīti šajā dokumentā iepriekš. Produkta nosūtīšana atpakaļ jāveic kopā ar atbilstošu dokumentāciju.

Ar čeku:

1 gads: BEZ maksas. Ar pirkuma apliecinājumu garantijas periods sākas iegādes datumā.

Bez čeka:

1 gads: BEZ maksas. Bez pirkuma apliecinājuma garantijas periods sākas datumā, kas ierakstīts sērijas numurā.

Savam "NOCO" produktam varat reģistrēties tiešsaistē: no.co/register. Ja jums ir jautājumi par garantiju vai produktu, sazinieties ar "NOCO" atbalsta dienestu (izmantojot iepriekš norādīto e-pasta adresi vai tālruna numuru) vai rakstiet: NOCO Company, 30339 Diamond Parkway, #102, Glenwillow, OH 44139 USA.

NOCO BOOST[®] MAX[™] GB251+



ОПАСНО

Руководство пользователь и Гарантия



ОЗНАКОМЬТЕСЬ СО ВСЕЙ ИНСТРУКЦИЕЙ ПО БЕЗОПАСНОСТИ И УСВОЙТЕ ЕЁ ПЕРЕД ИСПОЛЬЗОВАНИЕМ ЭТОГО ПРОДУКТА. Несоблюдение инструкций по безопасности может привести к УДАРУ ЭЛЕКТРОТОКОМ, ВЗРЫВУ, ВОЗГОРАНИЮ, которые могут вызвать СЕРЬЕЗНУЮ ТРАВМУ, СМЕРТЬ или ПОВРЕЖДЕНИЕ ИМУЩЕСТВА.



Удар электротоком. Продукт является электрическим устройством, которое может ударить током и вызвать серьёзную травму. Не перерезайте кабели и провода. Не погружайте в воду и не мочите.



Взрыв. Несовместимые, повреждённые или оставленные без внимания аккумуляторы при использовании с продуктом могут взорваться. Не оставляете включённые продукт без наблюдения. Не пытайтесь завести запустить с помощью продукта повреждённый или замерзший аккумулятор. Используйте продукт только с аккумуляторами рекомендуемого напряжения. Используйте продукт в хорошо проветриваемых помещениях.



Возгорание. Продукт является электроустройством, выделяющим тепло, и способен вызвать ожоги. Не накрывайте продукт. Не курите и не используйте никакой источник электрической искры или огня во время работы с продуктом. Держите продукт вдали от взрывоопасных материалов.



Травмы глаз. Работа рядом со свинцово-кислотными продуктами является опасной. Во время обычной работы аккумулятора он выделяет взрывоопасные газы. Для снижения риска взрыва аккумулятора следуйте всем инструкциям по безопасности, включая данную инструкцию, а также инструкцию от производителя аккумулятора или инструкции к любому оборудованию, которое будет использовано рядом с аккумулятором. Прочитайте наклейки-предостережения на этих продуктах и на моторе.



Взрывоопасные газы. Работа рядом со свинцово-кислотными продуктами является опасной. Во время обычной работы аккумулятора он выделяет взрывоопасные газы. Для снижения риска взрыва аккумулятора следуйте всем инструкциям по безопасности, включая данную инструкцию, а также инструкцию от производителя аккумулятора или инструкции к любому оборудованию, которое будет использовано рядом с аккумулятором. Прочитайте наклейки-предостережения на этих продуктах и на моторе.

Русский

Более подробную
информацию можно найти:

www.no.co/support

Важные инструкции по безопасности

ВНИМАНИЕ

Режим ручного управления отменяет все меры безопасности. Неправильное использование устройства и/или его использование не в соответствии с нашими рекомендациями может привести к травмам или смерти, а также аннулирует гарантию. Существует угроза пожара, взрыва и ожогов. Не разбирайте, не разбивайте, не нагревайте до температуры выше 60 °C (140 °F) и не сжигайте устройство. Данное устройство предназначено для временного использования на открытом воздухе. При применении устройства в условиях повышенной влажности следует соблюдать разумную осторожность.

ОСТОРОЖНО

Не допускайте избыточного заряда внутреннего аккумулятора устройства. Ознакомьтесь с инструкцией по эксплуатации. Не курите, не зажигайте спички и не допускайте возникновения искр в непосредственной близости от устройства внешнего питания. Заряжайте внутренний аккумулятор устройства только в хорошо проветриваемом помещении, когда устройство не используется.

ВНИМАНИЕ

Опасность причинения травм людям. Не используйте это устройство при наличии любых повреждений его шнура питания или кабелей для подключения к аккумулятору. Это устройство не предназначено для использования в коммерческом ремонтном предприятии. Когда устройство не используется, его следует хранить в закрытом помещении. Устройство нельзя хранить или оставлять на открытом воздухе, когда оно не используется.

Пункт 65. Аккумуляторные штыри, терминалы и сопутствующие аксессуары содержат химические элементы, включая свинец. По данным штата Калифорния, эти материалы могут вызывать рак, врожденные пороки и другие повреждения репродуктивной функции. **Меры личной безопасности.** Используйте продукт только по назначению. Кто-то должен быть достаточно близко, чтобы услышать ваш голос и прийти на помощь в чрезвычайном случае. Имейте недалеко запас чистой воды на случай утечки аккумуляторной кислоты. При работе рядом с аккумулятором носите средства защиты глаз и защитную одежду. Всегда мойте руки после контакта с аккумулятором или похожими материалами. Не держите и не носите никаких металлических предметов при работе с аккумуляторами, включая инструменты, часы или украшения. При падении металла на аккумулятор он может вызвать искру или короткое замыкание, ведущее к удару током, возгоранию или взрыву, которые могут вызвать травму, смерть или повреждение имущества. **Несовершеннолетние.** Если продукт приобретает "Покупателем" для использования несовершеннолетним, покупающий взрослый обязуется провести

подробный инструктаж и предупредить любого несовершеннолетнего перед использованием. Несоблюдение данного обязательства является исключительной ответственностью "Покупателя", который таким образом освобождает NOCO от любой ответственности за неправильное использование продукта несовершеннолетним.

Удушение. Аксессуары представляют собой опасность удушья для детей. Не оставляйте детей без присмотра рядом с любым продуктом или аксессуаром. Этот продукт не является игрушкой.

Пользование. Пользуйтесь продуктом с осторожностью. Продукт может быть поврежден при надавливании или сжатии. Не пользуйтесь поврежденным продуктом, включая, но не ограничиваясь, трещинами в корпусе или поврежденным кабелем. Не используйте продукт с поврежденным кабелем. Сырость и жидкость может повредить продукт. Не подносите продукт или любой его электрический компонент к любой жидкости. Храните и используйте продукт в сухом месте. Не пользуйтесь мокрым продуктом. Если продукт уже работает и подвергся воздействию жидкости, отсоедините его от аккумулятора и немедленно прекратите работу. Не отсоединяйте продукт, потянув за кабель. Модификации. Не пытайтесь изменить, модифицировать или чинить любую часть продукта. Не разбирайте продукт -- это может привести к травме, смерти или порче имущества. При повреждении, неисправности или контакте продукта с жидкостью прекратите использование и свяжитесь с NOCO. Любая модификация продукта аннулирует гарантию.

Аксессуары. Продукт может быть использован только с аксессуарами NOCO. NOCO не несет ответственность за безопасность или повреждения при использовании аксессуаров, не одобренных NOCO.

Расположение. Не допускайте контакта продукта с аккумуляторной кислотой. Не работайте с продуктом в закрытых или плохо вентилируемых помещениях. Не ставьте аккумулятор на продукт. Располагайте кабели так, чтобы они не могли быть случайно повреждены подвижными частями транспортного средства (включая капоты и двери), движущимися частями мотора (включая лопасти вентилятора, ремни и барабаны), либо любым опасным предметом, могущим вызвать травму или летальный исход.

Температура для работы. Этот продукт разработан для широкого спектра температур: между -20С до +50С. Не работайте с продуктом вне этих температурных рамок. Не пытайтесь запустить замёрзший аккумулятор. Немедленно прекратите использование продукта, если аккумулятор слишком нагрелся.

Хранение. Не используйте и не храните продукт в пыльных или полных аэрозоля помещениях. Храните продукт на плоской устойчивой поверхности, исключающей падение. Храните продукт в сухом месте. температура хранения: от -20С до +50С (Средняя температура от 0°С до + 25°С) Никогда и ни при каких условиях температура не должна превышать +80С.

Совместимость. Изделие совместимо только с 12-вольтными свинцово-кислотными аккумуляторными системами. Не предпринимайте попыток использовать изделие с любым другим видом аккумуляторов. Попытка запуска аккумулятора с иным химическим составом может привести к травме, смерти или порче имущества. Перед попыткой запуска аккумулятора свяжитесь с его производителем. Не пытайтесь запустить аккумулятор, если вам точно не известен его химический состав или рабочее напряжение.

Батареи. Встроенные литий-ионные батареи в продукте должны быть заменены только специалистами NOCO, или должны быть переработаны или выброшены отдельно от бытовых отходов. Не пытайтесь заменить батарею самостоятельно и не пользуйтесь поврежденными либо протекающими литий-ионными батареями. Никогда не выбрасывайте батареи вместе с бытовыми отходами. Выбрасывание батарей вместе с бытовыми отходами противоречит законам штата и федеральным законами и регулированию по защите окружающей среды. Всегда отдавайте батареи в ваш местный центр по переработке. Если батарея продукта стала слишком горячей, издаёт запах, деформирована, порезана, или демонстрирует необычное поведение, немедленно прекратите использование и свяжитесь с NOCO.

Зарядка. Заряжайте изделие с помощью входящего в комплект автомобильного зарядного устройства на 12 вольт постоянного тока или сетевого зарядного устройства XGC4. Не используйте универсальные блоки питания или блоки питания сторонних производителей. Они могут создать серьезную опасность поражения электрическим током, что может привести к травмам, повреждению устройства или имущества.

Использование поврежденных кабелей или зарядных устройств, а также зарядка во влажных условиях может вызвать поражение электрическим током. NOCO не несет ответственности за безопасность пользователя, повреждение устройства или имущества при использовании аксессуаров и блоков питания, не одобренных NOCO. Перед подключением сетевого зарядного устройства XGC4 к электророзетке убедитесь, что в него полностью вставлен разъем шнура питания переменного тока. Сетевое зарядное устройство может нагреваться во время нормальной эксплуатации, и его продолжительный контакт с кожей может привести к травме. Всегда обеспечивайте надлежащую вентиляцию зарядного устройства в месте его установки. Для максимального продления срока службы аккумулятора старайтесь не заряжать изделие более недели подряд, поскольку избыточная зарядка может сократить срок службы. Неиспользуемое изделие постепенно разряжается, и поэтому его нужно подзарядить перед использованием. Отключайте изделие от источника питания, когда оно не используется. Применяйте изделие только по назначению. **Медицинские приборы.** Продукт может образовывать электромагнитное поле. Продукт содержит магнитные компоненты, которые могут перебить работу кардиостимуляторов, дефибрилляторов и других медицинских приборов. Эти электромагнитные поля могут нарушить работу кардиостимуляторов или других медицинских приборов. Если вы используете любой медицинский прибор, включая кардиостимулятор, проконсультируйтесь с врачом перед использованием данного продукта. Если вам кажется, что продукт нарушает работу медицинского прибора, немедленно прекратите работу и обратитесь к врачу. **Медицинские противопоказания.** При наличии заболеваний, на которые, по вашему мнению, может повлиять продукт, обратитесь к врачу перед использованием. Заболевания включают, но не ограничиваются, судорогами, потемнением в глазах или головной болью. Встроенный высоко-мощный фонарь может вызвать повышенную чувствительность. Использование фонаря в сигнальном режиме может вызвать судороги у людей с чувствительной к свету эпилепсией, что может привести к серьезным травмам или летальному исходу. **Свет.** Непрерывное смотрение прямо на включенный фонарь может привести к постоянному нарушению зрения. Продукт оснащен высоко-мощной светодиодной сфокусированной лампой, излучающей очень яркий световой поток. **Чистка.** Выключайте прибор перед профилактикой или чисткой. Немедленно почистите и вытрите насухо прибор, если он вступил в контакт с жидкостью или любым загрязнителем. Используйте мягкую безворсовую ткань (микрофибру). Предотвращайте попадание влаги в отверстие. **Взрывоопасные условия.** Следуйте всем предупреждениям и инструкциям. Не используйте продукт в помещениях с потенциально взрывоопасной атмосферой, например в местах для заправки или с содержанием в воздухе химикатов и мелких частиц, таких как стружки, пыль и металлический порошок. **Действия с последствиями.** Этот продукт не предназначен для использования в случае, если его неполадки могут привести к травмам, летальному исходу или повреждению имущества. **Радио-помехи.** Продукт разработан, протестирован и произведен с соблюдением государственного регулирования радио-помех. Помехи от продукта могут негативно сказаться на работе других электроприборов и вызвать их неполадки. **Номер модели: GB251** Это устройство соответствует Пункту 15 Правил Федерального агентства по связи США. Вы можете пользоваться прибором при соблюдении следующих двух условий: 1) это устройство не вызовет вредных помех и 2) это устройство может принять помехи, включая нежелательные маневры устройства. **ВНИМАНИЕ:** Оборудование было протестировано и признано соответствующим стандартам электронных устройств класса А, как оговорено в Пункте 15 Правил Федерального агентства по связи США. Эти ограничения разработаны, чтобы обеспечить защиту от нежелательного взаимодействия с оборудованием, используемым на коммерческих объектах. Оборудование производит, использует и может излучать радио-частоты, и если его не установить в соответствии с инструкцией, может нарушать радио-сообщение. Работа с этим оборудованием в жилых районах может нанести вред коммуникациям, в таком случае пользователь обязан устранить нарушение за свой счёт.

Руководство к пользованию

Шаг 1: Зарядите GB251.

Устройство GB251 поставляется частично заряженным, и его следует полностью зарядить перед использованием. Подключите входящее в комплект 12-вольтное автомобильное зарядное устройство постоянного тока или сетевое зарядное устройство XGC4 к входному разъему на 12 В (12V IN) устройства GB251. Время зарядки GB251 может быть различным в зависимости от уровня разряда устройства и используемого источника питания. Фактическое время зарядки может быть различным в зависимости от состояния аккумулятора и уровня разряда.

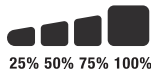
При подзарядке уровень заряда встроенной батареи отмечен соответствующими светодиодами. Светодиоды будут медленно мигать "On" и "Off", пока все четыре из них не загорятся устойчиво. Когда батарея полностью заряжена, будет устойчиво гореть зеленым цветом 100% светодиод, а светодиоды 25%, 50% и 75% отключатся. Время от времени зеленый светодиод 100% будет пульсировать, означая профилактическую зарядку.

Шаг 2: Подсоединение к аккумулятору.

Внимательно прочтите и изучите руководство пользователя транспортного средства в части особых предупреждений и рекомендуемых методов запуска двигателя от внешнего источника питания. Перед зарядкой обязательно выясните напряжение и химический состав аккумулятора, ознакомившись с соответствующим руководством пользователя. Изделие GB251 предназначено для запуска двигателей транспортных средств только с 24-вольтными свинцово-кислотными аккумуляторными системами. Перед подключением к аккумулятору убедитесь, что он является 24-вольтной свинцово-кислотной аккумуляторной системой. GB251 не подходит для любых других типов аккумуляторов. Определите правильную полярность клемм аккумулятора. Положительная клемма аккумулятора обычно обозначается буквами POS или P, или же символом «+». Отрицательная клемма аккумулятора обычно обозначается буквами NEG или N, или же символом «-». Не подключайте устройство к карбюратору,

Время подзарядки:	Уровень батареи:
5hr	56W

Уровень встроенной батареи



топливопроводам или тонким деталям из листового металла. Приведенные ниже инструкции предназначены для систем с заземлением отрицательного полюса (наиболее распространенные). Если на вашем автомобиле установлена система заземления положительного полюса (встречается крайне редко), ознакомьтесь со соответствующими инструкциями по запуску двигателя от внешнего источника, которые приводятся в руководстве пользователя транспортного средства.

1.) Подсоедините положительный (красный) зажим для аккумулятора к положительной клемме аккумулятора (POS, P, +), а отрицательный (черный) зажим для аккумулятора к отрицательной клемме аккумулятора (NEG, N, -) или шасси автомобиля.

Шаг 3: **Запуск аккумулятора.**

1.) Перед попыткой запуска аккумулятора убедитесь, что автомобильные источники силовой нагрузки (лампы, радио, кондиционер и т. п.) отключены.

2.) Нажмите на кнопку питания для начала запуска. В этот момент все светодиоды мигнут один раз. Если вы правильно подключились к аккумулятору, сначала загорится белый светодиод повышения напряжения, а затем светодиоды зарядки аккумулятора. После обнаружения аккумулятора начнется 60-секундный отсчет блокировки по времени.

3.) Попробуйте завести транспортное средство. Большинство транспортных средств заведётся немедленно. Для некоторых транспортных средств требуется подсоединение GB251 до 30 секунд, чтобы они завелись. Если транспортное средство не завелось сразу, подождите 20-30 секунд и попробуйте опять. Не предпринимайте более пяти (5) попыток подряд в течение пятнадцати (15) минут. Сделайте перерыв на пятнадцать (15) минут, перед тем как попытаться снова завести транспортное средство с помощью GB251.

4.) Когда транспортное средство завелось, отсоедините зажимы батареи и уберите GB251.

60-секундный тайм-аут.

Обратный отсчет 60-секундного тайм-аута начинается после обнаружения аккумулятора автомобиля. Через 60 секунд функция запуска двигателя от внешнего источника блокируется. Светодиод повышения напряжения гаснет, а светодиоды заряда внутреннего аккумулятора устройства отображают текущий уровень заряда. Для восстановления функции запуска от внешнего

источника нажмите на кнопку питания для отключения питания устройства. Потом снова нажмите на кнопку питания для включения питания и повторной активации функции запуска от внешнего источника.

ВНИМАНИЕ.

60-СЕКУНДНЫЙ ТАЙМ-АУТ ОТКЛЮЧАЕТСЯ В РЕЖИМЕ РУЧНОГО УПРАВЛЕНИЯ. КОГДА ЭТОТ РЕЖИМ ВКЛЮЧЕН, ПИТАНИЕ БУДЕТ ПОДАВАТЬСЯ ПОСТОЯННО. ДЛЯ МАКСИМАЛЬНОГО УВЕЛИЧЕНИЯ КОЛИЧЕСТВА ЗАПУСКОВ РЕКОМЕНДУЕТСЯ ОТКЛЮЧАТЬ УСТРОЙСТВО ВНЕШНЕГО ЗАПУСКА СРАЗУ ЖЕ ПОСЛЕ УСПЕШНОГО ЗАПУСКА ДВИГАТЕЛЯ АВТОМОБИЛЯ.

Аккумуляторы малого напряжения и ручной запуск

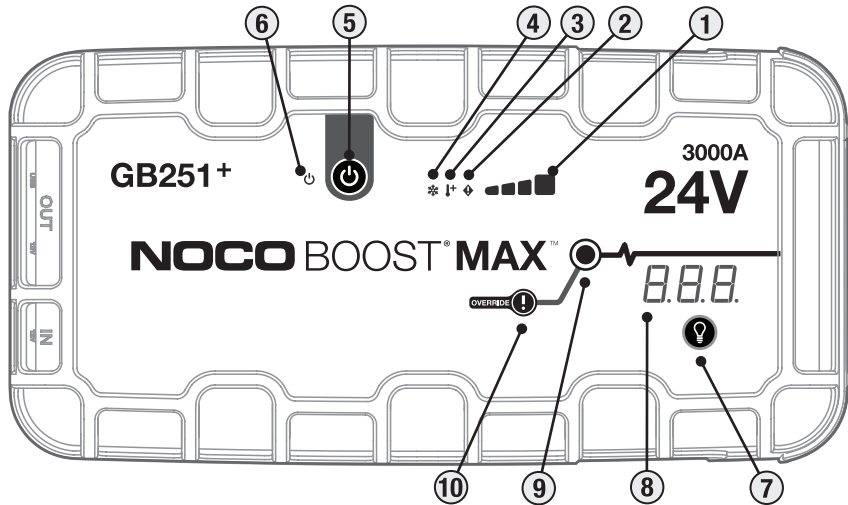
Изделие GB251 предназначено для запуска 24-вольтных свинцово-кислотных аккумуляторных систем с текущим напряжением минимум 2 вольт. Если напряжение аккумулятора менее 2 вольт, светодиод повышения напряжения не горит. Это указывает на то, что GB251 не может обнаружить аккумулятор. Для запуска аккумулятора с напряжением ниже 2 вольт имеется функция ручного управления, которая позволяет принудительно включить функцию запуска. Если напряжение аккумулятора ниже 2 вольт, светодиод повышения напряжения не горит, а вольтметр не показывает напряжение.

ВНИМАНИЕ.

ИСПОЛЬЗУЙТЕ ЭТОТ РЕЖИМ КРАЙНЕ ОСТОРОЖНО. ОН ПРЕДНАЗНАЧЕН ТОЛЬКО ДЛЯ 24-ВОЛЬТНЫХ СВИНЦОВО-КИСЛОТНЫХ АККУМУЛЯТОРНЫХ СИСТЕМ. ФУНКЦИИ ЗАЩИТЫ ОТ ИСКР И ОБРАТНОЙ ПОЛЯРНОСТИ ОТКЛЮЧЕНЫ. ПЕРЕД ПЕРЕХОДОМ В ЭТОТ РЕЖИМ ОБРАЩАЙТЕ ПРИСТАЛЬНОЕ ВНИМАНИЕ НА ПОЛЯРНОСТЬ АККУМУЛЯТОРА. НЕ ДОПУСКАЙТЕ СОПРИКОСНОВЕНИЯ ИЛИ СОЕДИНЕНИЯ ПОЛОЖИТЕЛЬНЫХ И ОТРИЦАТЕЛЬНЫХ КЛЕММ АККУМУЛЯТОРА, ТАК КАК ЭТО МОЖЕТ ВЫЗВАТЬ ИСКРЕНИЕ. В ЭТОМ РЕЖИМЕ ПРИМЕНЯЕТСЯ СВЕРХВЫСОКИЙ ТОК (ДО 3000 АМПЕР), КОТОРЫЙ ПРИ НЕПРАВИЛЬНОМ ИСПОЛЬЗОВАНИИ РЕЖИМА МОЖЕТ ВЫЗВАТЬ ИСКРЫ И СИЛЬНЫЙ НАГРЕВ. ЕСЛИ ВЫ ТОЧНО НЕ ЗНАЕТЕ, КАК ПОЛЬЗОВАТЬСЯ ДАННЫМ РЕЖИМОМ, ВОЗДЕРЖИТЕСЬ ОТ ЕГО ИСПОЛЬЗОВАНИЯ И ОБРАТИТЕСЬ К СПЕЦИАЛИСТУ ЗА ПОМОЩЬЮ.

Питание USB-устройств и 12-вольтных устройств.

В GB251 имеются (2) разъема USB-OUT и разъем 12V-OUT (12V AUX/разъем прикуривателя). Подключите любое стандартное USB-устройство или 12-вольтное устройство (до 15 А) к указанным разъемам, а потом включите GB251 для подачи питания на него.



Интерфейс

1.) Уровень встроенной батареи обозначает уровень её заряда.

2.) Светодиод ошибки Горит красным, если обнаружена обратная полярность, или мигает «вкл.» И «выкл.» В различной последовательности (от 1 до 6 миганий), чтобы сообщить об ошибках.

3.) Горячий светодиод устойчиво горит красным; устройство полностью исправно, но приближается к максимальной температурной границе. Мигает красным; устройство слишком горячее для запуска от внешнего источника, в этом состоянии доступен только фонарик.

4.) Холодный светодиод устойчиво горит синим; устройство полностью исправно, но приближается к минимальной температурной границе. Мигающий синий; блок слишком холодный для запуска от внешнего источника, в этом состоянии доступен только фонарик.

5.) Кнопка питания Power Нажмите, чтобы включить или выключить устройство.

6.) Светодиод питания Горит белым, когда устройство включено. Загорится оранжевым светом после 60-секундного обратного отсчета времени до тех пор, пока зажимы не будут сняты с автомобильного аккумулятора или GB251 не будет выключен и снова включен снова.

7.) Кнопка светового режима Light Mode Предназначена для супер-яркого светодиодного света в семи (7) световых режимах: 100% >; 50% >; 10% >; SOS >; Мигание (Blink) >; Луч (Strobe) >; Выключить (Off)

8. Вольтметр / Таймер обратного отсчета Встроенный вольтметр определяет напряжение автомобильного аккумулятора для расширенной диагностики и определения неполадок. Вольтметр автоматически определит напряжение любого аккумулятора (или системы аккумуляторов), когда присоединены зажимы, даже если устройство выключено. Вольтметр определяет напряжение от ~3 до ~30 вольт. Если напряжение присоединённого аккумулятора ниже 3 вольт, ничего не определится. В случае такого низкого напряжения, вероятно нагрузка на аккумулятор, например работающий кондиционер или фары, поэтому они должны быть выключены перед запуском транспортного средства. Когда устройство включено и после обнаружения батареи, вольтметр будет отображать 60-секундный обратный отсчет времени ожидания.

9.) Светодиод запуск Boost Горит белым при активном запуске. Если устройство правильно подсоединено к аккумулятору, GB251 автоматически определит аккумулятор и перейдёт в режим запуска Boost (светодиод будет мигать белым при активации ручного режима).

10.) Кнопка ручного режима Manual Override Для включения нажмите и удерживайте три (3) секунды. **ВНИМАНИЕ: Отключает защитные функции и вручную переходит в режим запуска Boost. Только для использования, когда напряжение батареи слишком низкое, чтобы его можно было обнаружить.**

Определение неполадок

	Ошибка	Причина/Действие
❗	Светодиод ошибки: Устойчивый красный	Обратная полярность/Поменяйте соединение с аккумулятором.
	Светодиод ошибки: Мигающий красный при правильно присоединённых кабелях	Обнаружено короткое замыкание на зажимах для аккумулятора. / Обратитесь к профессионалу для проверки аккумулятора.
	1 (одна) вспышка	Обнаружено короткое замыкание на зажимах для аккумулятора. / Отключите все нагрузки, повторно подсоедините зажимы к аккумулятору.
	Двойная (2) вспышка	На зажимах обнаружено высокое напряжение (GB251 подключен к системе с напряжением более 24 В).
	Четырехместный (4) Вспышка	Ошибка тайм-аута зарядки (например, GB251 слишком долго заряжался)
	Пятиместный (5) Вспышка	XGC OUT перегрузка по току (т. Е. Более 15 ампер потребляется из порта XGC OUT)
	Шестиместный (6) Вспышка	BMS (система управления батареями) Неисправность. (Выключите и снова включите GB251, чтобы сбросить его. Если проблема не исчезнет, обратитесь в службу поддержки)
!+	Горячий светодиод: Устойчивый	Устройство полностью исправно, но приближается к максимальной температурной границе. / Дайте устройству остыть.
	Горячий светодиод: Мигает	Устройство слишком горячее для запуска от внешнего источника, в этом состоянии доступен только фонарик. / Дайте устройству остыть.
	Горячий светодиод: Мигает, затем все светодиоды выключаются	Устройство слишком нагрето для запуска или других функций. / Дайте устройству остыть и переместите его в более прохладное помещение.

❄️	Холодный светодиод: Устойчивый	Устройство полностью исправно, но приближается к минимальной температурной границе. / Дайте устройству нагреться.
	Холодный светодиод: Мигает	Устройство слишком холодное для запуска от внешнего источника, в этом состоянии доступен только фонарик / Дайте устройству нагреться.
	Холодный светодиод: Мигает, затем все светодиоды выключаются	Устройство слишком охлаждено для запуска или других функций. / Дайте устройству нагреться и переместите его в более тёплое помещение.
	Светодиод Boost не загорается/Кабели подсоединены правильно	Напряжение подсоединённого аккумулятора ниже 3-х вольт/Выключите все источники нагрузки или используйте ручной режим.

Технические особенности

Встроенная батарея: 137Wh Литий Ион	12V (вход): 12V/5A (14V Максимум)
Максимальный ток: 3000A	12V (выход): 12V, 15V Максимум
Температура для работы: от -20C до +50C	Защита имущества: IP65 (с закрытыми портами)
Температура зарядки: от 0C до +40C	Охлаждение: Естественная конвекция
Температура хранения: от -20C до +50C (средняя температура)	Габариты: (Д x Ш x В): 31,75 x 20,83 x 3,39 Сантиметры
USB (выход): 5V, 2,1A	Вес: 6,19 килограммы (13,65 lb)

Ограниченная гарантия сроком на один (1) год на устройство NOCO

The NOCO Company (далее "NOCO") гарантирует, что этот продукт (далее "Продукт") не будет иметь дефектов в материалах и работоспособности в течение одного (1) года с даты покупки (далее "Срок Гарантии"). При обнаружении дефектов в течение "Срока Гарантии", NOCO, по своему усмотрению и в зависимости от результатов технического анализа NOCO, отремонтирует или заменит бракованный Продукт. Заменённые детали или продукты будут новыми или использованными в сервисе, сравнимыми по функциям и оперативности с изначальными деталями и будут подлежать гарантии на всё оставшееся время изначального Срока Гарантии.

ОБЯЗАТЕЛЬСТВО NOCO, ТАКИМ ОБРАЗОМ, ОГРАНИЧИВАЕТСЯ ТОЛЬКО ЗАМЕНОЙ ИЛИ РЕМОНТОМ, ДО МАКСИМАЛЬНОГО РАЗРЕШЕННОГО ЗАКОНОМ КРИТЕРИЯ, NOCO НЕ НЕСЁТ ОТВЕТСТВЕННОСТИ ПЕРЕД ЛЮБЫМ ПОКУПАТЕЛЕМ ПРОДУКТА ЛИБО ПЕРЕД ЛЮБОЙ ТРЕТЬЕЙ СТОРОНОЙ ЗА ЛЮБЫЕ ОСОБЫЕ, КОСВЕННЫЕ ЛИБО ШТРАФНЫЕ УБЫТКИ, ВКЛЮЧАЯ, НО НЕ ОГРАНИЧИВАЯСЬ, ПОТЕРЮ ПРИБЫЛИ, ПОВРЕЖДЕНИЕ ИМУЩЕСТВА ИЛИ ЛИЧНЫЕ ТРАВМЫ, КАКИМ-ЛИБО ОБРАЗОМ ОТНОСЯЩИЕСЯ К ПРОДУКТУ, НЕЗАВИСИМО ОТ ПРЕДШЕСТВУЮЩИХ ОБСТОЯТЕЛЬСТВ, ДАЖЕ ЕСЛИ КОМПАНИЯ NOCO БЫЛА ОСВЕДОМЛЕНА О ВОЗМОЖНОСТИ ТАКОГО УЩЕРБА. ПРИВЕДЁННЫЕ ЗДЕСЬ ГАРАНТИИ, ВЛИЯЮТ ВСЕ ДРУГИЕ ГАРАНТИИ, ВЫРАЖЕННЫЕ, ПОДРАЗУМЕВАЕМЫЕ, УСТАНОВЛЁННЫЕ ИЛИ ИНЫЕ, ВКЛЮЧАЯ, БЕЗ ОГРАНИЧЕНИЙ, ПОДРАЗУМЕВАЕМЫЕ ГАРАНТИИ КОММЕРЧЕСКОЙ ЦЕННОСТИ И ПРИГОДНОСТИ ДЛЯ ОПРЕДЕЛЕННОЙ ЦЕЛИ, И ТЕХНИКИ, ВОЗНИКАЮЩИЕ ИЗ КУРСА ПРИМЕНЕНИЯ, ИСПОЛЬЗОВАНИЯ ИЛИ ТОРГОВОЙ ПРАКТИКИ. В СЛУЧАЕ, КОГДА ЛЮБЫЕ ПРИМЕНИМЫЕ ЗАКОНЫ ИСПОЛЬЗУЮТ ГАРАНТИИ, УСЛОВИЯ ИЛИ ОБЯЗАТЕЛЬСТВА, КОТОРЫЕ НЕ МОГУТ БЫТЬ ИСКЛЮЧЕНЫ ИЛИ ИЗМЕНЕНЫ, ЭТОТ ПАРАГРАФ ДОЛЖЕН ПРИМЕНЯТЬСЯ В САМОЙ БОЛЬШОЙ СТЕПЕНИ, ДОПУСКАЕМОЙ ТАКИМ ЗАКОНОДАТЕЛЬСТВОМ.

Эта ограниченная гарантия составлена исключительно в интересах покупателя Продукта у NOCO или у одобренного NOCO посредника или дистрибутора и не подлежит передаче или трансферу. Чтобы получить услуги по гарантии, покупатель должен: (1) получить номер авторизованного возврата return merchandise authorization ("RMA") и информацию о месте возврата (the "Return Location") в службе поддержки NOCO, написав на адрес электронной почты support@no.co или позвонив по телефону 1-800-456-6626. (2) выслать в место возврата Продукт, включая номер RMA, чек о покупке или гарантийный сбор (при отсутствии чека) в размере 45% от рекомендуемой розничной цены производителя на бракованный Продукт (далее "Гарантийный Сбор") [RMA укажет размер Гарантийного Сбора, если такой требуется]. НЕ ПОСЫЛАЙТЕ ПРОДУКТ, НЕ ПОЛУЧИВ RMA В СЛУЖБЕ ПОДДЕРЖКИ.

ПОКУПАТЕЛЬ НЕСЁТ ОТВЕТСТВЕННОСТЬ (И ДОЛЖЕН ПРЕДВАРИТЕЛЬНО ОПЛАТИТЬ) ВСЕ УПАКОВОЧНЫЕ МАТЕРИАЛЫ И СТОИМОСТЬ ПЕРЕСЫЛКИ ПРОДУКТОВ ДЛЯ ГАРАНТИЙНОГО ОБСЛУЖИВАНИЯ.

НЕ ОТМЕНЯЯ ВЫШЕПЕРЕЧИСЛЕННОГО, ЭТА ОГРАНИЧЕННАЯ ГАРАНТИЯ НЕ ИМЕЕТ СИЛЫ И НЕ МОЖЕТ ПРИМЕНЯТЬСЯ К ПРОДУКТАМ, КОТОРЫЕ: (а) были неправильно использованы, небрежно хранились, повреждены в результате неосторожности, случайности, неправильного хранения; были эксплуатированы в условиях повышенного напряжения, температуры, удара или вибрации, что противоречило рекомендациям NOCO по безопасному и эффективному использованию; (б) были неправильно установлены, использованы или хранены; (в) были модифицированы без специального письменного согласия NOCO; (г) были разобраны, изменены или отремонтированы не в NOCO; (д) о дефектах было заявлено после истечения Срока Гарантии.

ЭТА ОГРАНИЧЕННАЯ ГАРАНТИЯ НЕ ПОКРЫВАЕТ: (1) обычное изнашивание; (2) косметические повреждения, не влияющие на функциональность; (3) продукты с отсутствующим, изменённым или стёртым серийным номером NOCO.

УСЛОВИЯ БЕСПРОБЛЕМНОЙ ГАРАНТИИ

Эти условия применяются к Изделию только в течение Гарантийного срока. Беспроblemная гарантия прекращает действовать либо по прошествии определенного срока с момента покупки (время, прошедшее с момента проставления серийного номера, если нет доказательств покупки), либо при возникновении условий, перечисленных выше в настоящем документе. Возвращайте Изделие вместе с соответствующей документацией.

С чеком:

1 год БЕЗ оплаты. При наличии подтверждения покупки гарантийный срок начинает течь с даты покупки

БЕЗ чека:

1 год БЕЗ оплаты. При ОТСУТСТВИИ подтверждения покупки гарантийный срок начинает течь с даты проставления серийного номера.

Вы можете зарегистрировать продукт NOCO онлайн по адресу: no.co/register. Если у вас есть вопросы по поводу гарантии или самого продукта, обратитесь в Службу поддержки NOCO (электронный адрес и телефон указаны ниже) или напишите по адресу: The NOCO Company, at 30339 Diamond Parkway, #102, Glenwillow, OH 44139 USA / США.

NOCO BOOST[®] MAX[™] GB251+



НЕБЯСПЕКА

Інструкцыя па эксплуатацыі і гарантыя



АЗНАЁМЦЕСЯ І ЗРАЗУМЕЙЦЕ ЎСЮ ІНФАРМАЦЫЮ ПА ТЭХНІЦЭ НЕБЯСПЕКІ ПЕРАД ВЫКАРЫСТАННЕМ ГЭТАГА ПРАДУКТУ. Невыкананне ўказанняў можа прывесці да **ЎДАРУ ТОКАМ, ВЫБУХУ, ПАЖАРУ**, якія могуць прывесці да **ЗНАЧНЫХ ТРАЎМАУ, СМЕРЦІ** або **ПАШКОДЖАННЯ МАЁМАСЦІ.**



Удар токам. Выраб уяўляе сабой электрычную прыладу, якая можа біць токам і прыводзіць да сур'ёзных траўмаў. Не рэжце шнуры сілкавання. Не апускайце у ваду, не мачыце ў вадзе.



Выбух. Некантралюючыя, несумяшчальныя або пашкоджаныя акумулятары, якія выкарыстоўваюцца разам з вырабам, могуць падарвацца. Не пакідайце выраб без нагляду падчас выкарыстання. Не спрабуйце карыстацца пашкоджаным або замарожаным акумулятарам. Выкарыстоўвайце выраб толькі з акумулятарамі адзначанага напружання. Карыстайцеся вырабам у памяшканнях з добрай вентыляцыяй.



Пажар. Выраб уяўляе сабой электрычную прыладу, якая выпраменьвае цяпло і можа выклікаць апёкі. Не накрывайце выраб. Не курыце і не выкарыстоўвайце крыніцы электрычных іскр ці агню ў перыяд працы выраба. Трымайце выраб далёка ад гаручых матэрыялаў.



Пашкоджанне вачэй. Апранайце ахоўныя акуляры ў час працы з вырабам. Акумулятары могуць падарвацца і выклікаць разлёт абломкаў. Акумулятарная кіслата можа выклікаць раздражненне вачэй і скуры. У выпадку пападання кіслаты ў вочы ці на скуру, прамойце ўчастак праточнай чыстай вадой і неадкладна звяжыцеся з катролем па атручванню.



Газавы выбух. Праца ў непасрэднай блізкасці да свінцова-кіслотных акумулятараў небяспечна. Акумулятары ствараюць выбухова небяспечныя газы ў перыяд стандартнай эксплуатацыі. Для зніжэння рызыкі выбуху акумулятара, прытрымлівайцеся інфармацыі пра бяспеку і інструкцый, выдадзеных вытворцам акумулятара ды любога іншага абсталавання, прызначанага для выкарыстання ў непасрэднай блізкасці ад акумулятара. Азнаёмцеся з маркіроўкай перасцярогі на прыладах і рухавіку.

беларускі

Для атрымання дадатковай
інфармацыі і падтрымкі
звярніцеся да:

www.no.co/support

Важныя парады па бяспецы

УВАГА

Рэжым ручнога кіравання адмяняе ўсе меры бяспекі. Няправільнае выкарыстанне прылады і/або яе выкарыстанне не ў адпаведнасці з нашымі рэкамендацыямі можа прывесці да траўмаў або смерці, а таксама анулюе гарантыю. Існуе пагроза пажару, выбуху і апёкаў. Не разбірайце, не разбівайце, не награвайце да тэмпературы вышэй за 60 °C (140 °F) і не спальвайце прыладу. Дадзеная прылада прызначана для часовага выкарыстання на адкрытым паветры. Пры выкарыстанні прылады ва ўмовах падвышанай вільготнасці трэба прытрымлівацца патрабаванняў разумнай асцярожнасці.

АСЦЯРОЖНА

Не дапускайце залішняга зарада ўнутранага акумулятара прылады. Азнаёмцеся з інструкцыяй па эксплуатацыі. Не паліце, не запальвайце запалкі і не дапушчайце ўзнікнення іскры ў непасрэднай блізкасці ад прылады вонкавага сілкавання. Зараджайце ўнутраны акумулятар прылады толькі ў памяшканні, якое добра праветрываецца, калі прылада не выкарыстоўваецца.

УВАГА

Небяспека прычынення траўмаў людзям. Не выкарыстоўвайце гэтую прыладу пры наяўнасці любых пашкоджанняў яе шнура сілкавання або кабеляў для падлучэння да акумулятара. Гэта прылада не прызначана для выкарыстання ў камерцыйным рамонтным прадпрыемстве. Калі прылада не выкарыстоўваецца, яе трэба захоўваць у закрытым памяшканні. Прыладу нельга захоўваць або пакідаць на адкрытым паветры, калі яна не выкарыстоўваецца.

Прапанова 65. Акумулятарныя слупы, клемы і дадатковыя прыналежнасці маюць хімічныя рэчывы, сярод якіх свінец. У штаце Каліфорнія лічыцца, што гэтыя рэчывы выклікаюць рак, прыроджаныя дэфекты і іншыя парушэнні рэпрадуктыўнай функцыі. **Асабістая перасцярога.** Выкарыстоўвайце прадукт толькі па яго прызначэнні. Хтосьці павінен быць у межах дасягання вашага голасу або досыць блізка, каб прыйсці вам на дапамогу ў выпадку надзвычайнай сітуацыі. Трымайце каля сябе запас чыстай вады і мыла на выпадак атручвання акумулятарнай кіслатай. Насіце акулеры бяспекі і ахоўную адзежу падчас работы каля акумулятара. Заўсёды мойце рукі пасля працы з акумулятарам і звязаных з ім прылад. У час працы з акумулятарам не апрацоўвайце і не насіце металічныя прадметы, уключаючы інструменты, гадзіннікі або ювелічныя вырабы. Калі метал падае на акумулятар, ён можа выклікаць іскру або кароткае замыканне, што прыводзіць да ўдару электрычным токам, пажару, выбуху, якія, у сваю чаргу, могуць прывесці да траўмаў, смерці або пашкоджання маёмасці. **Непаўналетнія.** Непаўналетнія. Калі вырабам карыстаюцца непаўналетнія, дарослы «Пакупнік», набыўшы прадукт, павінен падрабязна распавесці пра інструкцыі і папярэджання да пачатку выкарыстання. Невыкананне гэтага правіла з'яўляецца выключнай адказнасцю «Пакупніка», які згаджаецца кампенсавать NOCO пры любым ненаўмыслым ці няправільным выкарыстанні прадукта непаўналетнімі. **Праглытанне.**

Аксэсуары могуць уяўляць небяспеку праглытання для дзяцей. Не пакідайце дзяцей без нагляду з вырабам або з любым яго аксэсуарам. Гэты выраб не цацка. **Карыстанне.** Асцярожна карыстайцеся вырабам. Выраб можна пашкодзіць пры ўздзеянні. Не карыстайцеся пашкоджаным вырабам, у тым ліку, але не абмяжоўваючыся, пры расколінах ў корпусе або пашкоджанні кабеляў. Не выкарыстоўвайце прадукт з пашкоджаным шнуром сілкавання. Вільготнасць і вадкасці могуць пашкодзіць выраб. Не карыстайцеся вырабам або яго электрычнымі кампанентамі паблізу вадкасцяў. Захоўвайце і эксплуатауйце выраб у сухім месцы. Не выкарыстоўвайце выраб, калі ён стаў вільготным. Калі выраб ужо працуе і намагае, адключыце яго ад акумулятара і неадкладна спыніце выкарыстанне. Не адключайце прыладу, пацягнуўшы за кабель. Мадыфікацыі. Не спрабуйце змяняць, мадыфікаваць або рамантаваць любую частку вырабу. Разбіранне вырабу можа прывесці да траўмаў, смерці або пашкоджання маёмасці. Калі выраб пашкоджаны, няспраўны або ўстапае ў кантакт з вадкасцю, спыніце яго выкарыстанне і звярніцеся да NOCO. Любыя мадыфікацыі вырабу прывядуць да анулявання гарантыі. **Аксэсуары.** Гэты выраб прызначаны для выкарыстання толькі з аксэсуарамі NOCO. NOCO не нясе адказнасці за бяспеку карыстальніка ці пашкоджанні пры выкарыстанні аксэсуараў, не зацверджаных NOCO. **Размяшчэнне.** Прадухіліце любы кантакт кіслаты акумулятара з вырабам. Не карыстайцеся вырабам ў закрытай зоне або зоне з абмежаванай вентыляцыяй. Не ўсталёўвайце акумулятар на выраб. Размяшчайце кабель так, каб пазбегнуць выпадковага пашкоджання шляхам перамяшчэння мабільных частак (ўключаючы кажухі і дзверы), мабільных частак рухавіка (у тым ліку лопасці вентылятара, рамяні і шківы), або таго, што можа стаць пагрозай ці прывесці да траўмаў або смерці. **Працоўная тэмпература.** Гэты выраб прызначаны для працы пры тэмпературы навакольнага асяроддзя ад -20°C да 50°C . Не карыстайцеся вырабам паза межамі тэмпературных дыяпазонаў. Не карыстайцеся халодным заморожаным акумулятарам. Неадкладна спыніце выкарыстанне вырабам, калі акумулятар становіцца занадта цёплым. **Захоўванне.** Не выкарыстоўвайце і не захоўвайце выраб у месцах з высокай канцэнтрацыяй пылу або іншых матэрыялаў у паветры. Захоўваеце выраб на роўнай стабільнай паверхні, каб прадухіліць падзенне. Захоўваеце выраб у сухім месцы. Тэмпература захоўвання ад -20°C - 50°C (Ад 0°C да $+40^{\circ}\text{C}$ сярэдняя тэмпература). Ніколі не перавышайце тэмпературу ў 80°C пры любых умовах. **Сумяшчальнасць.** Выраб сумяшчальны толькі з 12-вольтнымі свінцова-кіслотнымі акумулятарнымі сістэмамі. Не прадпрымайце спробаў выкарыстаць выраб з любым іншым тыпам акумулятараў. Спроба запуску акумулятара з іншым хімічным складам можа прывесці да траўмы, смерці або пашкоджання маёмасці. Перад спробай запуску акумулятара звяжыцеся з яго вытворцам. Не спрабуйце запусціць акумулятар, калі вам дакладна не вядомы яго хімічны склад або працоўнае напружанне. **Акумулятар.** Убудаваны літый-іённы акумулятар павінен быць заменены толькі NOCO, і перапрацаваны або утылізаваны асобна ад бытавых адходаў. Не спрабуйце змяняць акумулятар самастойна. Не апрацоўвайце пашкоджаныя або працякалыя літый-іённыя акумулятары. Ніколі не выкідвайце акумулятар у бытавое смецце. Утылізацыя акумулятараў ў бытавое смецце з'яўляецца незаконнай справай ў адпаведнасці з дзяржаўнымі і федэральнымі прыродаахоўнымі законамі. Заўсёды перадавайце выкарыстаныя акумулятары ў мясцовы цэнтр утылізацыі. Калі акумулятар стаў прымерна гарачы, мае асаблівы пах, дэфармаваны, перарэзаны альбо мае анамальныя з'явы, неадкладна спыніце яго карыстанне і звяжыцеся з NOCO. **Зарядка акумулятара.** Зараджайце выраб з дапамогай аўтамабільнай зараднай прылады на 12 вольт пастаяннага току, якая ўваходзіць у камплект, або сеткавай зараднай прылады XGC4. Не выкарыстоўвайце універсальныя блокі сілкавання або блокі сілкавання іншых вытворцаў. Яны могуць стварыць сур'ёзную небяспеку паразы электрычным токам, што можа прывесці да траўмаў, пашкоджання прылады або маёмасці. Выкарыстанне пашкоджаных кабеляў або зарадных прылад, а таксама зарадка ў вільготных умовах можа прывесці да паразы электрычным токам. NOCO не нясе адказнасці за бяспеку карыстальніка, пашкоджанне прылады або маёмасці пры выкарыстанні аксэсуараў і блокаў сілкавання, не адобраных NOCO. Перад

падключэннем сеткавай зараднай прылады XGC4 да электрарозеткі пераканайцеся, што ў яе цалкам устаўлены раз'ём шнура сілкавання пераменнага току. Сеткавая зарадная прылада можа награватца падчас нармальнай эксплуатацыі, і яе працяглы кантакт са скурай можа прывесці да траўмы. Заўседы забяспечвайце належную вентыляцыю зараднай прылады ў месцы яе ўстаноўкі. Для максімальнага падаўжэння тэрміну службы акумулятара старайцеся не зараджаць прыладу больш за тыздзень запар, паколькі празмерная зарадка можа скараціць тэрмін службы. Невыкарыстоўваемы выраб паступова разряжаецца, і таму яго трэба падзарадзіць перад выкарыстаннем. Адключайце прыладу ад крыніцы сілкавання, калі яна не выкарыстоўваецца. Выкарыстоўвайце выраб толькі па прызначэнні. **Медыцынскія прылады.** Выраб можа выпраменьваць электрамагнітныя хвалі. Выраб мае магнітныя кампаненты, якія могуць перашкодзіць працэ кардыёстымулятара, дэфібрылятара ці іншых мед. прылад. Гэтыя электрамагнітныя хвалі могуць перашкаджаць кардыёстымулятарам або іншым медыцынскім прыладам. Перад карыстаннем, паразмаўляйце з вашым урачом, каб даведацца, ці ёсць у вас якія-небудзь медыцынскія прылады, у тым ліку кардыястымулятары. Калі вам падаецца, што выраб замянае медыцынскі прыладзе, спыніце яго карыстанне неадкладна і звярнецеся да ўрача. **Медыцынскія ўмовы (хваробы).** Калі ў вас ёсць якія-небудзь медыцынскія ўмовы, якія, на вашу думку, могуць пацяраць ад вырабу, у тым ліку, але не абмяжоўваючыся: прыпадкі, страта прытомнасці, ціск у вачах, галаўныя болі, паразмаўляйце з урачом перад выкарыстаннем вырабу. Выкарыстанне інтэграванага ліхтарыка вызначае адчувальнасць да святла. Выкарыстанне святла ў рэжыме Strobe (строб) можа выклікаць сутаргі ў людзей з фотаадчувальнай эпілепсіяй, што можа прывесці да сур'ёзных траўмаў або смерці. **Святло.** Позірк прама ў ліхтарык можа прывесці да незваротных траўмаў зроку. Выраб мае моцны светадыёд, які выпускае магутны прамень у самым высокім рэжыме працы. **Ачыстка.** Выключыце выраб перад выкананнем любых працэдур тэхнічнага абслугоўвання і чысткі. Неадкладна ачысціце і прасушыце выраб, калі ён уступіў у кантакт з вадкасцю ці забруджвальнікам. Выкарыстоўвайце мяккую безворсавую тканіну (мікрафібру). Пазбягайце траплення вільгаці ў адтуліны. **Выбухованебяспечнае асяроддзе.** Строга выконвайце ўсе ўказанні і інструкцыі. Не выкарыстоўвайце выраб у зоне з патэнцыйна небяспечным асяроддзем, у тым ліку заправачных станцый або абласцей, якія ўтрымліваюць хімічныя рэчывы або часціцы (зерне), пыл або металічныя парашкі. **Высокаследчая дзейнасць.** Гэты выраб не павінен карыстацца там, дзе яго паломка можа прывесці да траўмаў, смерці або сур'ёзнага пашкоджання асяроддзя. **Радыечастотныя перашкоды.** Выраб распрацаваны ў адпаведнасці з правіламі, якія рэгулююць радыечастотныя выпраменьванні. Выпраменьванні вырабу могуць адмоўна ўплываць на працу іншага электроннага абсталявання, выклікаючы збоі ў працы. **Нумар мадэлі: GB251** Дадзеная прылада адпавядае Частцы 15 Правілаў FCC. Праца падпарадкоўваецца выкананню дзвюх умоў: (1) дадзеная прылада не можа выклікаць перашкоды, (2) прылада павінна прымаць любыя перашкоды, уключаючы перашкоды, якія могуць прывесці да няправільнай працы. **ЗАУВАГА:** Дадзенае абсталяванне было правярана і прызнана адпаведным абмежаванням для лічбавых прылад Класа А, згодна з часткай 15 Правілаў FCC. Гэтыя абмежаванні распрацаваны для забеспячэння разумнай абароны ад перашкод пры эксплуатацыі вырабу ў камерцыйным асяроддзі. Выраб генеруе, выкарыстоўвае і можа выпраменьваць радыечастотныя хвалі. Калі ён не ўсталяваны і не выкарыстоўваецца ў адпаведнасці з інструкцыяй па эксплуатацыі, выраб можа ствараць перашкоды для радыесувязі. Эксплуатацыя дадзенага абсталявання ў жылой зоне можа выклікаць перашкоды. У гэтым выпадку карыстальнік павінен будзе ліквідаваць перашкоды за асабісты кошт.

Інструкцыя карыстання

Крок 1: Зарядзіце GB251.

Прылада GB251 пастаўляецца часткова зараджанай, і яе трэба цалкам зарадзіць перад выкарыстаннем. Падключыце 12-вольтовую аўтамабільную зарадную прыладу пастаяннага току, якая ўваходзіць у камплект, або сеткавую зарадную прыладу XGC4 да ўваходнага раздыма на 12 В (12V IN) прылады GB251. Час зарадкі GB251 можа быць розным у залежнасці ад узроўню разраду прылады і выкарыстоўванай крыніцы сілкавання. Фактычны час зарадкі можа быць розным у залежнасці ад стану акумулятара і ўзроўня разраду.

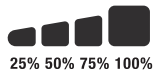
Пры зарадцы, узровень зарада ўнутранага акумулятара адлюстроўваецца з дапамогай святлодыёдаў. Святлодыёды будуць мігаць на пазіцыях «On» і «Off». Міганне спыніцца калі ўсе чатыры святлодыёды зарадкі будуць уключаны. Пры поўнай зарадцы акумулятара, зялёны святлодыёд 100% будзе ўключаны, а святлодыёды зарада на 25%, 50% і 75% перайдучы ў стан «Off». Час ад часу, зялёны святлодыёд 100% будзе мігаць, што ўказвае на працэс тэхнічнай дазарадкі.

Крок 2: Падключэнне да акумулятара.

Уважліва прачытайце і вывучыце кіраўніцтва карыстальніка транспартнага сродку ў частцы асаблівых папярэджанняў і рэкамендуемых метадаў запуску рухавіка ад вонкавай крыніцы сілкавання. Перад зарадкай абавязкова высвятліце напружанне і хімічны склад акумулятара, азнаёміўшыся з адпаведным кіраўніцтвам карыстальніка. Выраб GB251 прызначаны для запуску рухавікоў транспартных сродкаў толькі з 24-вольтнымі свінцова-кіслотнымі акумулятарнымі сістэмамі. Перад падключэннем да акумулятара пераканайцеся, што ён з'яўляецца 24-вольтнай свінцова-кіслотнай акумулятарнай сістэмай. GB251 не падыходзіць для любых іншых тыпаў акумулятараў. Вызначце правільную палярнасць клем акумулятара. Станоўчая клема акумулятара звычайна пазначаецца літарамі POS або P, ці ж сімвалам «+». Адмоўная клема акумулятара звычайна пазначаецца літарамі NEG або N, ці

Час зарадкі:	Узровень зарада прылады:
5hr	56W

Унутраны ўзровень зарада



ж сімвалам «-». Ня падключайце прыладу да карбюратора, паліваправодаў або тонкіх дэталей з ліставога металу. Прыведзеныя ніжэй інструкцыі прызначаны для сістэм з зазямленнем адмоўнага полюса (самыя распаўсюджаныя). Калі на вашым аўтамабілі ўсталяваная сістэма з зазямленнем станоўчага полюса (сустракаецца вельмі рэдка), азнаёмцеся са адпаведнымі інструкцыямі па запуску рухавіка ад вонкавай крыніцы, якія прыводзяцца ў кіраўніцтве карыстальніка транспартнага сродку.

1.) Падлучыце станоўчы (чырвоны) заціск для акумулятара да станоўчай клеммы акумулятара (POS, P, +), а адмоўны (чорны) заціск для акумулятара да адмоўнай клеммы акумулятара (NEG, N, -) або шасі аўтамабіля.

Крок 3: **Запуск.**

1.) Пераканайцеся, што ўсе сілавыя прылады аўтамабіля (фары, радыё, кандыцыянер і г.д.) выключаны перад уключэннем аўтамабіля.

2.) Націсніце кнопку сілкавання для пачатку запуску. У гэты момант усе святлодыёды міргнуць адзін раз. Калі вы правільна падключыліся да акумулятара, спачатку загарыцца белы святлодыёд павышэння напружання, а затым святлодыёды зарадкі акумулятара. Пасля выяўлення акумулятара пачнецца 60-секундны адлік блакавання па часе.

3.) Паспрабуйце запусціць аўтамабіль. Большасць транспартных сродкаў запусціцца імгненна. Некаторыя транспартныя сродкі запускаяцца пасля 30 секунд з моманту далучэння GB251. Калі рухавік не запускаецца адразу, пачакайце 20-30 секунд і паспрабуйце зноў. Не спрабуйце запускаяць аўтамабіль больш, чым пяць (5) паслядоўных разоў за перыяд ў пятнаццаць (15) хвілін. Дазвольце GB251 адпачыць на працягу пятнаццаці (15) хвілін, перш чым спрабаваць запускаяць рухавік зноў.

4.) Пасля таго, як вы запусцілі свой аўтамабіль, адлучыце клеммы акумулятара і зніміце GB251.

60-секундны тайм-аўт.

Зваротны адлік 60-секунднага тайм-аўту пачынаецца пасля выяўлення акумулятара аўтамабіля. Праз 60 секунд функцыя запуску рухавіка ад вонкавай крыніцы блакуецца. Святлодыёд павышэння напружання згасе, а святлодыёды зарада ўнутранага акумулятара прылады адлюстроўваюць бягучы ўзровень зарада. Для аднаўлення функцыі запуску ад вонкавай крыніцы націсніце на кнопку сілкавання для адключэння сілкавання прылады. Потым зноў націсніце на кнопку сілкавання для ўключэння

сілкавання і паўторнай актывацыі функцыі запуску ад вонкавай крыніцы.

УВАГА.

60-СЕКУНДНЫ ТАЙМ-АЎТ АДКЛЮЧАЕЦЦА Ў РЭЖЫМЕ РУЧНОГА КІРАВАННЯ. КАЛІ ГЭТЫ РЭЖЫМ УКЛЮЧАНЫ, СІЛКАВАННЕ БУДЗЕ ПАДАВАЦЦА ПАСТАЯННА. ДЛЯ МАКСІМАЛЬНАГА ПАВЕЛІЧЭННЯ КОЛЬКАСЦІ ЗАПУСКАЎ РЭКАМЕНДУЕЦЦА АДКЛЮЧАЦЬ ПРЫЛАДУ ЗНЕШНЕГА ЗАПУСКУ АДРАЗУ Ж ПАСЛЯ ПАСПЯХОВАГА ЗАПУСКУ РУХАВІКА АЎТАМАБІЛЯ.

Нізка напружання акумулятары і ручное скасаванне

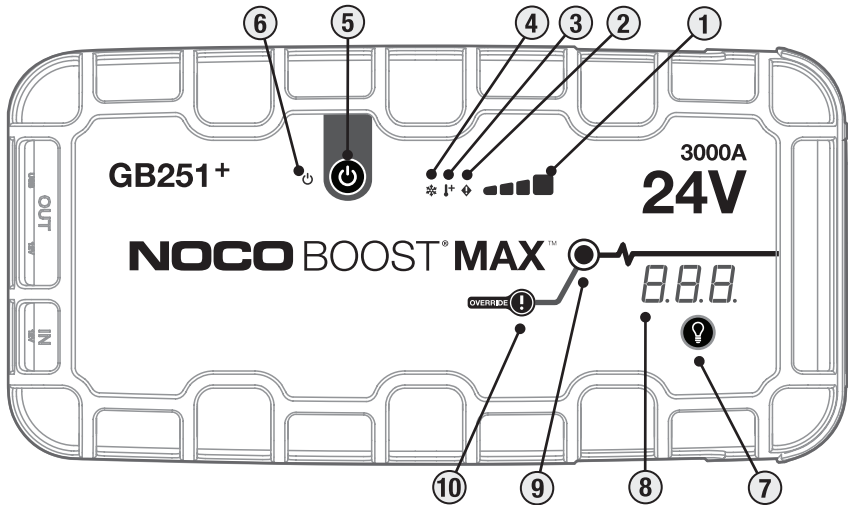
Выраб GB251 прызначаны для запуску 24-вольтных свінцова-кіслотных акумулятарных сістэм з бягучым напругай мінімум 2 вольты. Калі напружанне акумулятара менш за 2 вольты, святлодыёд павышэння напружання не гарыць. Гэта паказвае на тое, што GB251 не можа выявіць акумулятар. Для запуску акумулятара з напругай ніжэй 2 вольт маецца функцыя ручнога кіравання, якая дазваляе прымусова ўключыць функцыю запуску. Калі напружанне акумулятара ніжэй 2 вольт, святлодыёд павышэння напружання не гарыць, а вальтметр не паказвае напружанне.

УВАГА.

ВЫКАРЫСТОЎВАЙЦЕ ГЭТЫ РЭЖЫМ ВЕЛІМІ АСЦЯРОЖНА. ЁН ПРЫЗНАЧАНЫ ТОЛЬКІ ДЛЯ 24-ВОЛЬТНЫХ СВІНЦОВА-КІСЛОТНЫХ АКУМУЛЯТАРНЫХ СІСТЭМ. ФУНКЦЫІ АБАРОНЫ АД ІСКРАЎ І ЗВАРОТНАЙ ПАЛЯРНАСЦІ АДКЛЮЧАНЫ. ПЕРАД ПЕРАХОДАМ У ГЭТЫ РЭЖЫМ ЗВЯРТАЙЦЕ ПІЛЬНУЮ УВАГУ НА ПАЛЯРНАСЦЬ АКУМУЛЯТАРА. НЕ ДАПУСКАЙЦЕ СУДОТЫКА АБО ЗЛУЧЭННЯ СТАНОУЧЫХ І АДМОУНЫХ КЛЕМ АКУМУЛЯТАРА, БО ГЭТА МОЖА ВЫКЛІКАЦЬ ІСКРЫ. У ГЭТЫМ РЭЖЫМЕ ПРЫМЯНЯЕЦЦА ЗВЫШЧЫСОКІ ТОК (ДА 3000 АМПЕР), ЯКІ ПРЫ НЯПРАВІЛЬНАМ ВЫКАРЫСТАННІ РЭЖЫМУ МОЖА ВЫКЛІКАЦЬ ІСКРЫ І МОЦНЫ НАГРЭУ. КАЛІ ВЫ САПРАУДЫ НЕ ВЕДАЕЦЕ, ЯК ҚАРЫСТАЦЦА ГЭТЫМ РЭЖЫМАМ, УСТРЫМАЙЦЕСЯ АД ЯГО ВЫКАРЫСТАННЯ І ЗВЯРНІЦЕСЯ ДА СПЕЦЫЯЛІСТА ЗА ДАПАМОГАЙ.

Сілкаванне USB-прылад і 12-вольтных прылад.

У GB251 маюцца (2) раздыма USB-OUT і раздым 12V-OUT (12V AUX/раздым прыпальвальніка). Падключыце любую стандартную USB-прыладу або 12-вольтавую прыладу (да 15 А) да паказаных раздымаў, а потым уключыце GB251 для падачы сілкавання на яе.



Інтэрфейс

1.) Унутраны ўзровень зарада акумулятара адзначае ўзровень зарада ўнутранага акумулятара.

2.) Святлодыёд памылкі Падсвечвае чырвоным колерам, калі выяўлена зваротная палярнасць, або міргае "уключана" і "выключана" ў розных паслядоўнасцях (ад 1 да 6 міргае) для перадачы ўмоў памылак.

3.) Святлодыёд Hot (горача) гарыць чырвоным, калі прылада ў працоўным стане але набліжаецца да перагрэву. Міргае чырвоным; прылада занадта гарачая, каб пачаць старт, у гэтым стане даступны толькі літарык.

4.) Святлодыёд Cold (халодна) гарыць сінім. Выраб знаходзіцца ў працоўным стане але набліжаецца да ніжэйшай дапушчальнай тэмпературнай мяжы. Міргае сіні; прылада занадта халодная, каб перайсці ў старт, у гэтым стане даступны толькі літарык.

5.) Кнопка сілкавання павінна быць націснена, каб уключыць ці выключыць блок.

6.) Святлодыёд сілкавання гарыць белым колерам пры ўключаным блоке. Будзе гарэць аранжавым пасля 60-секунднага адліку часу чакання, пакуль заціскі не будуць зняты з аўтамабільнага акумулятара альбо GB251 не будзе адключаны і зноў уключаны.

7.) Кнопка рэжыму святла дазваляе выбіраць сярод 7 светлавых рэжымаў: 100% > 50% > 10% > SOS > Міганне > Строб > Выкл.

8 . Вальтметр / Таймер зваротнага адліку Убудаваны вальтметр счытвае напружанне акумулятара транспартнага сродку для пашыранай дыягностыкі і перадухілення няспраўнасцяў. Вальтметр аўтаматычна счытвае напружанне любога акумулятара (або акумулятарнай сістэмы), калі акумулятарныя клеммы злучаны і ў час выключанага вырабу. Вальтметр будзе счытваць напружанне паміж ~3V і ~30V. Калі падключаны акумулятар ніжэй за 3V, нічога не будзе адлюстроўвацца. Калі напружанне з'яўляецца нізкім, то, хутчэй за ўсё маецца нагрузка на акумулятар (напрыклад фары або кандыцыянер пераменнага току), якая павінна быць знята перад наступнай спробай запуску рухавіка. Пакуль прыбор уключаны і пасля выяўлення батарэі, вальтметр адлюструе 60-секундны адлік часу чакання.

9.) Бустэрны святлодыёд загарэецца белым колерам, калі бустэр актыўны. Калі прылада правільна падключана да акумулятара, GB251 аўтаматычна выяўляе акумулятар і пераходзіць у бустэрны рэжым (белы святлодыёд мігае пры актыўнай функцыі ручнога скасавання).

10.) Кнопка ручнога скасавання. Для ўключэння, націсніце і ўтрымлівайце на працягу трох (3) секунд. **УВАГА: Кнопка адключае рэжым бяспекі і ўручную прымушае актывацыю Бустэра. Толькі для выкарыстання, калі напружанне батарэі занадта нізкае для выяўлення.**

Пошук няспраўнасцяў

	Памылка	Прычына / Рашэнне
⚠	Святлодыёд памылка: працяглы красны колер	Зваротная палярнасць / Правядзіце рэверс падключэння акумулятара.
	Святлодыёд Памылка: мігае чырвоным Кабелі падключаны правільна	Выяўлена кароткае замыканне на зацісках для акумулятара. / Хай акумулятар правярць прафесіянал.
	1 (адна) ўспышка	Выяўлена кароткае замыканне на зацісках для акумулятара. / Адключыце ўсе нагрузкі, паўторна падлучыце заціскі да акумулятара.
	Падвойная (2) успышка	Высокае напружанне, выяўленае на зацісках (GB251 падлучаны да сістэмы напружання больш за 24В).
	Чатырохразовая (4) успышка	Памылка часу чакання зарада (г.зн. GB251 занадта доўга зараджаецца)
	Пяціразовы (5) выбліск	XGC OUT звыш току (гэта значыць больш за 15 А ўзмацняецца ад порта XGC OUT)
!+	Палавая (6) Успышка	Няспраўнасць BMS (сістэмы кіравання батарэямі). (Уключыце GB251 "выключана" і "ўключана" зноў, каб ачысціць. Калі праблема не зменіцца, звярніцеся ў службу падтрымкі)
	Святлодыёд перагрэву: не міргае	Апарат цалкам працаздольны, але набліжаецца да верхняй тэмпературнай мяжы. / Дазвольце блоку астыць.
	Святлодыёд перагрэву: міргае	Прылада занадта гарачая для запуску, у гэтым стане даступны толькі ліхтарык. / Дайце прыладзе астыць.
	«Святлодыёд перагрэву: усе святлодыёды мігаюць, потым выключаюцца»	Блок занадта гарачы, каб запусціцца і актываваць усе іншыя функцыі. / Дазвольце блоку астыць і перанясіце яго ў больш халодны пакой.

❄	Святлодыёд холада: не мігае	Выраб цалкам працаздольны, але набліжаецца да ніжняй мяжы тэмпературы. / Дазвольце блоку нагрэцца.
	Святлодыёд холаду: мігае	Прылада занадта халодная, каб перайсці ў старт, у гэтым стане даступны толькі ліхтарык / Дайце прыладзе разагрэцца.
	«Святлодыёд холаду: усе святлодыёды мігаюць, потым выключаюцца»	Блок занадта халодны, каб запусціцца або выкарыстаць іншыя функцыі. / Дазвольце блоку нагрэцца і неранясіце яго ў цёплае памяшканне.
	Бустэр святла не адлюстроўваецца пры правільным падключэнні кабеля	Падключаны акумулятар ніжэй за 3- вольт / Адключыце ўсе на грузкі і паспрабуйце зноў, або ўключыць рэжым ручнога скасавання.

Тэхнічныя характарыстыкі

Унутраны акумулятар: 137Wh Літый-іённы	12V (уваход): 12V/5A (14V Макс)
Пікавы наяўны ток: 3000A	12V (выхад): 12V, 15V Макс
Працоўная тэмпература: Ад -20°C да +50°C	Кожух корпуса: IP65 (парты замкнёныя)
Температура зарадкі: Ад 0°C да +40°C	Астуджэнне: Натуральная канвекцыя
Тэмпература захоўвання: -20°C да + 50°C (сярэдня тэмп.)	Памеры (Д х Ш х В): 31,75 x 20,83 x 3,39 Сантыметры
USB (выхад): 5V, 2.1A	Вага: 6,19 кілаграмы (13,65 lb)

НОСО Адзін (1) год гарантыі

Кампанія НОСО («НОСО») гарантуе, што гэты выраб («Выраб») будзе вольны ад дэфектаў матэрыялу і кампануюкі на працягу аднаго (1) года з моманту набыцця («Гарантыйны перыяд»). Дэфектыўныя вырабы, зарэгістраваныя на працягу гарантыйнага перыяду, будуць, з улікам аналізу тэхнічнай падтрымкі НОСО, альбо адрамантаваныя альбо замененыя на новыя. Запасныя часткі і вырабы будуць новымі альбо працоўнымі, параўнальнымі па функцыянальнасці і прадукцыйнасці з арыгінальнай часткай. Яны дастаўляюцца з гарантыяй, перакрываючай астатак гарантыйнага перыяду.

АДКАЗНАСЦЬ НОСО Ё СУВЯЗІ З ГЭТЫМ ДАГАВОРАМ АБМЯЖОУВАЕЦА ЗАМЕНАЙ ЦІ РАМОНТАМ. У МАКСІМАЛЬНА ДАЗВОЛЕНАЙЗАКОНАМ МЕРЫ НОСО НЕ НЯСЕ АНІЯКАЙ АДКАЗНАСЦІ ПЕРАД ПАКУПНІКОМ ВЫРАБУ ЦІ ЛЮБЫМ ТРЭЦІМ БОКАМ У ТЫМ, ШТОДАТЫЧЫЦЦА СПЕЦЫЯЛЬНЫМ, УСКΟΣНАЙ, ПАСЛЯДОУНАЙ ЦІ УЗОРНАЙ ШКОДЫ, УКЛЮЧАЮЧЫ, АЛЕ НЕ АБМЯЖОУВАЮЧЫСЯ, СТРАТАМІ У ПРЫБЫТКУ, ПАШКОДЖВАННЮ МАЁМАСЦІ, ТРАУМАУ АСОБЫ, УЗНІКАЮЧЫХ У ДАЧЫНЕННІ ДА ВЫРАБУ І ПА ЛЮБОЙ ПРЫЧЫНЕ, НАВАТ І ТАДЫ, КАЛІ НОСО БЫЛО ВЯДОМА АБ МАГЧЫМАСЦІ ТАКІХ ПАШКОДЖВАННЯУ. ГЭТЫЯ ГАРАНТЫІ ПЕРАВЫШАЮЦЬ УСЕ ІНШЫЯ ГАРАНТЫІ, ВІДАВОЧНЫЯ, РАЗУМЕЮЧЫСЯ, СТАТУТНЫЯ І ІНШЫЯ, УКЛЮЧАЮЧЫ АЛЕ БЕЗ АБМЕЖАВАННЯУ ГАРАНТЫІ НА КАМЕРЦЫЙНАСЦЬ ДЫ ПРЫДАТНАСЦЬ ДЛЯ КАНКРЭТНЫХ МЭТАУ ДЫ МЭТАУ, УЗНІКАЮЧЫХ У ЧАС ВЯДЗЕННЯ ЗДЗЕЛАК, ҚАРЫСТАННЯ ДЫ ГАНДЛЮ. У ВЫПАДКУ НАЯУНАСЦІ ЗАКОНАУ, ШТО ДАТЫЧУЦЦА ГАРАНТЫІ, УМОУ АБО АБЯЗАЦЕЛЬСТВАУ, ЯКІЯ НЕ МОГУЦЬ БЫЦЬ ВЫКЛЮЧАНЫ ЦІ ЗМЕНЕНЫ, ГЭТЫ АРТЫКУЛ ЗАСТАЕЦЦА МАКСІМАЛЬНА ПРЫМЯНЯЛЬНЫМ У МЕЖАХ ЗАКОНА.

Гэтая гарантыя выраблена НОСО, яго афіцыйным дыстрыб'ютарам ці парсэднікам выключна на карысць першапачатковага пакупніка Вырабу і не можа быць перададзенай. Каб аформіць гарантыйную рэкламацыю, пакупнік павінен: (1) запытаць і атрымаць нумар дазволу на вяртанне тавару («RMA») і валодаць інфармацыяй аб месцазнаходжанні цэнтра ("Return Location") ад падтрымкі кліентаў НОСО, напісаўшы на пошту support@no.co або патэлефанаваўшы на 1.800.456.6626; (2) даслаць выраб, у тым ліку нумар RMA, квітанцыю або плату гарантыі (платападрабуецца калі адсутнічае квітанцыя) у 45% ад рэкамендаванага рознічнага кошту дэфектыўнага вырабу («Гарантыйная плата») [RMA будзе ўключаць у сябе прыдатную суму гарантыі]. НЕ ДАСЫЛАЙЦЕ ВЫРАБ БЕЗ АТРЫМАННЯ RMA АД ПАДТРЫМКІ КАМПАНІІ НОСО.

ПАКУПНІК НЯСЕ (І ПАВІНЕН ЗРАБІЦЬ ПЕРАДАПЛАТУ) АДКАЗНАСЦЬ ЗА ЎПАКОЎКУ І ТРАНСПАРТНЫЯ РАСХОДЫ, ЗВЯЗАНЫЯ З АДГРУЗКАЙ ВЫРАБУ НА ГАРАНТЫЙНАЕ АБСЛУГАВАННЕ.

НЯГЛЕДЗЯЧЫ НА ВЫШЭЙ СКАЗАНАЕ, ГЭТА ГАРАНТЫЯ ЛІЧЫЦА НЕСАПРАЎДНАЙ І НЕ РАСПАЎСЯДЖВАЕЦЦА НА ВЫРАБЫ, ЯКІЯ: (а) выкарыстоўваліся не па прызначэнні, выкарыстоўваліся няправільна, падвяргаліся злоўжыванню або неасцярожнаму абыходжанню, аварыям, няправільнаму захоўванню, эксплуатаваліся ва ўмовах залішняга напружання, тэмпературы, шоку, або вібрацый, нягледзячы на рэкамендацыі NOCO па бяспечнаму і эфектыўнаму выкарыстанню; (б) няправільна усталяваны, выкарыстаны ці тэхнічна абслужаны; (в) былі зменены без пісьмовай згоды NOCO; (г) былі разабраны, зменены або адрамантаваны НЕ персаналам кампаніі NOCO; (д) дэфекты, аб якіх было паведамлена пасля гарантыйнага перыяду.

ГАРАНТЫЯ НЕ РАСПАЎСЮДЖВАЕЦЦА НА: (1) нармальны знос; (2) касметычныя пашкодванні, якія не ўплываюць на функцыянальнасць; або (3) вырабы, на якіх адсутнічае, зменены ці сапсаваны серыйны нумар NOCO.

УМОВЫ БЕСПРАБЛЕМНАЙ ГАРАНТЫ

Гэтыя ўмовы прымяняюцца да Выраба толькі на працягу Гарантыйнага тэрміну. Беспраблемная гарантыя спыняе сваё дзеянне альбо па сканчэнні вызначанага тэрміну з моманту куплі (час, які прайшоў з моманту прастаўлення серыйнага нумара, калі няма доказаў куплі), альбо пры ўзнікненні умоў, пералічаных вышэй у гэтым дакуменце. Вяртайце Выраб разам з адпаведнай дакументацыяй.

3 чэкам:

1 год БЕЗ аплаты. Пры наяўнасці пацверджання пакупкі гарантыйны тэрмін пачынае ісці з даты пакупкі

БЕЗ чэка:

1 год БЕЗ аплаты. Пры адсутнасці пацвярджэння пакупкі гарантыйны тэрмін пачынае ісці з даты прастаўлення серыйнага нумара.

Вы можаце зарэгістраваць ваш выраб NOCO у Інтэрнэце па адрасе: no.co/register. Калі ў вас ёсць пытанні што да гарантыі або вырабу, скантактуйцеся з падтрымкай NOCO (адрас электроннай пошты і нумар тэлефона ўказаны вышэй) або пішыце на: The NOCO Company, at 30339 Diamond Parkway, #102, Glenwillow, OH 44139 USA.

NOCO BOOST[®] MAX[™] GB251+



НЕБЕЗПЕКА

Посібник користувача та гарантія



ПЕРЕД ВИКОРИСТАННЯМ ЦІЄЇ ПРОДУКЦІЇ УВАЖНО ПРОЧИТАЙТЕ ВСЮ ІНФОРМАЦІЮ ЩОДО ТЕХНІКИ БЕЗПЕКИ. Недотримання цих інструкцій із техніки безпеки може спричинити УРАЖЕННЯ ЕЛЕКТРИЧНИМ СТРУМОМ, ВИБУХ, ПОЖЕЖУ, що в результаті може призвести до СЕРЬОЗНИХ ТРАВМ, СМЕРТІ чи ПОШКОДЖЕННЯ МАЙНА.



Ураження електричним струмом. Дана продукція є електричним пристроєм, використання якого може призвести до ураження електричним струмом і спричинити серйозні травми. Не перерізайте кабелі живлення. Не занурюйте пристрій у воду та не намочуйте його.



Вибух. Використання несумісного чи пошкодженого акумулятора, а також залишення його без нагляду разом із пристроєм може призвести до вибуху. Під час використання не залишайте пристрій без нагляду. Не намагайтеся запустити пошкоджений чи замерзлий акумулятор. Пристрій слід використовувати лише з акумуляторами рекомендованого вольтажу. Використовуйте пристрій у добре провітрюваних приміщеннях.



Пожежа. Дана продукція є електричним пристроєм, який виділяє тепло і може спричинити опіки. Не накривайте пристрій. Під час використання пристрою не куріть та не використовуйте будь-яке джерело електричної іскри чи вогню. Тримайте пристрій подалі від легкозаймистих матеріалів.



Пошкодження очей. Під час роботи з пристроєм використовуйте захисні окуляри. Акумулятори можуть вибухнути та спричинити появу летючих уламків. Кислота в акумуляторі може призвести до пошкодження очей і шкіри. У разі її потрапляння в очі чи на шкіру, промийте уражену ділянку великою кількістю води та негайно зверніться до токсиколога.



Вибухові гази. Безпосередня робота зі свинцево-кислотним акумулятором є небезпечною. Під час звичайної роботи акумулятори виробляють вибухові гази. Щоб зменшити ризик вибуху акумулятора, дотримуйтеся всіх іструкцій із техніки безпеки, а також інструкцій, вказаних виробником акумулятора та виробником будь-якого обладнання, яке буде використовуватися безпосередньо з акумулятором. Перегляньте попереджувальні маркування на цих пристроях і на двигуні.

Українська

Для отримання додаткової
інформації та підтримки
відвідайте:

www.no.co/support

Важливі застереження щодо техніки безпеки

УВАГА

Ручний режим відключає всі заходи безпеки. Неправильне використання та/або ігнорування наших рекомендацій з використання може призвести до травм або смерті та позбавить вас гарантії. Загроза пожежі, вибуху та опіків. Не розбирайте, не ламайте і не нагрівайте вище 60°C (140°F) та не спалюйте. Цей пристрій призначений для тимчасового використання на відкритому повітрі. При користуванні цим пристроєм у вологих умовах слід дотримуватися розумної обережності.

ЗАСТЕРЕЖЕННЯ

Не перезаряджайте внутрішній акумулятор. Дивіться інструкцію Ручний режим. Не паліть, не запалюйте сірник і запобігайте появі іскор поблизу блоку живлення. Заряджайте внутрішній акумулятор лише у добре провітрюваному приміщенні, коли він не використовується.

УВАГА

Небезпека травмування людей. Не використовуйте цей пристрій якщо шнур живлення або кабелі акумулятора будь-яким чином пошкоджені. Цей пристрій не призначений для використання в комерційному об'єкті з надання ремонтних послуг. Цей пристрій призначений для зберігання в приміщенні, коли він не використовується. Цей пристрій не слід зберігати і залишати на відкритому повітрі, коли він не використовується.

Закон штату Каліфорнія "Про гарантування безпеки питної води та захисту від токсичності" від 1986 р. Клеми і штирі акумулятора, а також відповідні аксесуари містять хімічні речовини, у тому числі свинець. Відповідно до законодавства штату Каліфорнія, ці речовини спричиняють появу ракових захворювань, вроджених вад та інших проблем із репродуктивністю. **Особисті заходи безпеки.** Використовуйте пристрій лише за призначенням. Важливо, щоб неподалік перебувала особа, яка могла би прийти вам на допомогу в разі надзвичайної ситуації. На випадок ураження кислотою акумулятора потрібно мати поблизу запас чистої води та мила. Під час роботи поблизу акумулятора використовуйте захисні окуляри та одяг. Завжди мийте руки після безпосередньої роботи з акумулятором та іншими відповідними матеріалами. Забороняється носити та користуватися будь-якими металевими предметами під час роботи з акумулятором, у тому числі інструментами, годинниками чи прикрасами. При потрапленні металу на акумулятор може виникнути іскра чи коротке замикання, що може призвести до ураження електричним струмом, пожежі або вибуху і спричинити травму, смерть чи пошкодження майна. **Неповнолітні особи.** Якщо Покупець придбав цей пристрій для використання неповнолітніми особами, то перед використанням доросла особа, яка придбала пристрій, повинна надати детальні інструкції та застереження

будь-якій неповнолітній особі. В іншому випадку вся відповідальність лягає на Покупця, який тим самим знімає відповідальність із компанії NOCO за будь-яке неналежне чи неправильне використання пристрою неповнолітніми особами. **Небезпека задущення.** Аксесуари можуть призвести до задущення дітей. Не залишайте дітей без нагляду разом із пристроєм чи будь-якими аксесуарами. Ця продукція не є іграшкою. **Переміщення.** Переміщайте пристрій дуже обережно. Пристрій можна пошкодити при ударі. Не використовуйте пристрій за наявності пошкоджень, які включають, серед іншого, тріщини корпусу чи пошкоджені кабелі. Не використовуйте пристрій при пошкодженні кабелю живлення. Вологість і рідини можуть пошкодити пристрій. Не розташовуйте пристрій чи будь-які електричні компоненти поблизу рідин. Зберігайте та використовуйте пристрій у сухому приміщенні. Не використовуйте пристрій, якщо він вологий. Якщо пристрій намокне під час роботи, від'єднайте його від акумулятора та негайно припиніть використання. Не від'єднуйте пристрій шляхом витягнення кабелів. Модифікації. Не намагайтеся переробляти, ремонтувати чи здійснювати будь-які модифікації пристрою. Розбирання пристрою може призвести до травм, смерті чи пошкодження майна. У разі пошкодження, несправності чи намокання пристрою припиніть його використання та зверніться до компанії NOCO. Будь-які модифікації продукту припиняють дію вашої гарантії. **Аксесуари.** Цей пристрій можна використовувати лише з аксесуарами від компанії NOCO. Компанія NOCO не несе відповідальності за безпеку користувача чи шкоду, заподіяну під час використання аксесуарів, не затверджених компанією NOCO. **Розміщення.** Не допускайте контакту акумуляторної кислоти з пристроєм. Не використовуйте пристрій у замкнутих чи погано провітрюваних приміщеннях. Не розміщуйте акумулятор зверху на пристрої. Розміщуйте закінчення кабелів таким чином, щоб уникнути випадкового пошкодження під час руху деталей автомобіля (у тому числі капота і дверцят), деталей двигуна (у тому числі лопатей вентилятора, ременів і блоків) або будь-чого, що становить небезпеку, яка може спричинити травму чи смерть. **Робочі температури.** Цей пристрій призначений для роботи при температурі наколишнього середовища від -20 °C до +50 °C. Не використовуйте пристрій поза цим діапазоном температур. Не намагайтеся запустити замерзлий акумулятор. У разі надмірного нагрівання акумулятора негайно припиніть використання пристрою. **Зберігання.** Не використовуйте та не зберігайте пристрій у місцях з надмірною концентрацією пилу чи аерозольних речовин. Зберігайте пристрій на рівних, безпечних поверхнях без ризику падіння. Зберігайте пристрій у сухих приміщеннях. Пристрій слід зберігати при температурі від -20 °C до +50 °C (Середня температура від 0 °C до + 25 °C). У жодному разі не перевищуйте температурного показника у 80°C. **Сумісність.** Пристрій сумісний лише з 12-вольтовими свинцево-кислотними акумуляторними системами. Не намагайтеся використовувати пристрій із будь-яким іншим типом акумуляторів. Запуск акумуляторів іншого типу може призвести до травм, смерті або пошкодження майна. Перш ніж спробувати запустити акумулятор, зверніться до виробника акумулятора. Не запускайте акумулятор, якщо ви не впевнені в хімічному складі або напрузі акумулятора. **Акумулятор.** Вбудований літій-іонний акумулятор у пристрої повинен замінюватися лише компанією NOCO, а після використання його потрібно переробити або утилізувати окремо від побутових відходів. Не намагайтеся замінити акумулятор самостійно та не торкайтеся пошкодженого чи протікаючого літій-іонного акумулятора. Ніколи не викидайте акумулятор разом із побутовими відходами. Поміщення акумуляторів разом із побутовими відходами є незаконним відповідно до державних і федеральних екологічних законів і норм. Використані акумулятори завжди слід відправляти в місцевий центр утилізації акумуляторів. Якщо акумулятор пристрою надто гарячий, виділяє запах, деформований, пошкоджений або під час роботи

проявляє себе незвично, негайно припиніть його використання та зверніться до компанії NOCO. **Зарядка акумулятора.** Заряджайте пристрій за допомогою 12В автомобільного зарядного пристрою або мережевого зарядного пристрою XGC4, що йдуть в комплекті. Не використовуйте універсальні або сторонні адаптери живлення, оскільки вони можуть становити серйозну небезпеку ураження електричним струмом, що може призвести до травмування людини, пошкодження пристрою та майна. Використання пошкоджених кабелів або зарядних пристроїв, або заряджання при наявності вологи може призвести до ураження електричним струмом. NOCO не несе відповідальності за безпеку користувача, пошкодження пристрою або псування майна при використанні аксесуарів або приладдя, що не затверджені NOCO. Під час використання мережевого зарядного пристрою XGC4 переконайтеся, що вилка змінного струму повністю вставлена в адаптер, перш ніж під'єднати його до розетки. Під час звичайного використання адаптер живлення може нагрітися, а тривалий контакт зі шкірою може спричинити тілесні ушкодження. Слідкуйте, щоб адаптери живлення мали достатню вентиляцію, коли ви ними користуєтесь. Щоб забезпечити максимальний термін служби акумулятора, уникайте заряджання пристрою протягом більше як тижня, оскільки перезарядження може скоротити час роботи акумулятора. З часом пристрій, що не використовується, розрядиться і перед використанням його потрібно зарядити. Відключіть пристрій від джерел живлення, коли він не використовується. Використовуйте пристрій лише за призначенням. **Медичні пристрої.** Пристрій може випромінювати електромагнітні поля. Пристрій містить магнітні компоненти, які можуть перешкоджати роботі кардіостимуляторів, дефібриляторів та інших медичних пристроїв. Такі електромагнітні поля можуть перешкоджати роботі кардіостимуляторів чи інших медичних пристроїв. У разі, якщо ви використовуєте будь-який медичний пристрій, у тому числі кардіостимулятор, проконсультуйтеся зі своїм лікарем, перш ніж використовувати даний пристрій. Якщо у вас виникають підозри, що даний пристрій може перешкоджати роботі певного медичного пристрою, негайно припиніть його використання та проконсультуйтеся зі своїм лікарем. **Медичний стан.** У разі, якщо у вас є проблеми зі здоров'ям (які включають, серед іншого, епілептичні напади, провали в пам'яті, перевтому очей чи головні болі), і ви вважаєте, що даний пристрій може негативно вплинути на нього, проконсультуйтеся зі своїм лікарем, перш ніж використовувати пристрій. Використання інтегрованого потужного ліхтаря є небезпечним у разі чутливості до світла. Використання світла в режимі імпульсованої лампи може спричинити епілептичні напади в людей із світлочутливою епілепсією, що може призвести до серйозних травм чи смерті. **Світло.** Прямий погляд на ліхтар може спричинити постійну втрату зору. Пристрій оснащено світлодіодною фокусною лампою з високою світловіддачею, яка випромінює потужний промінь світла на найвищому рівні. **Очищення.** Перед здійсненням технічного обслуговування чи очищення від'єднайте пристрій від джерела живлення. У разі, якщо на пристрій потрапила рідина чи будь-який забруднювач, негайно протріть і висушіть його. Використовуйте м'яку, безворсову тканину (мікрофібру). Уникайте потрапляння вологи в отвори. **Вибухонебезпечне середовище.** Дотримуйтеся всіх знаків та інструкцій. Не використовуйте пристрій у приміщенні з потенційно вибухонебезпечним середовищем, у тому числі в місцях заправки або місцях, де знаходяться хімічні речовини або дрібні часточки, наприклад, зерно, пил чи металевий порошок. **Діяльність, що призводить до серйозних наслідків.** Цей пристрій не призначений для використання в тих випадках, коли його несправність може призвести до травм, смерті або ж завдати серйозної шкоди навколишньому середовищу. **Радіочастотні перешкоди.** Пристрій розроблено, протестовано та виготовлено відповідно до правил, що регулюють виділення радіочастот. Такі виділення,

спричинені пристроєм, можуть негативно вплинути на роботу іншого електронного обладнання та призвести до його несправності. **Номер моделі: GB251.** Цей пристрій відповідає частині 15 правил Федеральної комісії зі зв'язку. Його робота залежить від двох наступних умов: (1) цей пристрій не повинен створювати шкідливих перешкод; (2) цей пристрій повинен приймати будь-які перешкоди, у тому числі ті, які можуть спричинити збої в роботі. ПРИМІТКА: Це обладнання було протестовано та визнано таким, що відповідає обмеженням класу А цифрових пристроїв відповідно до частини 15 правил Федеральної комісії зі зв'язку. Ці обмеження призначені для забезпечення належного захисту від шкідливих перешкод, у разі комерційного використання обладнання. Це обладнання виробляє, використовує та виділяє радіочастоти і, в разі недотримання інструкцій з експлуатації та встановлення, воно може спричинити шкідливі перешкоди для радіозв'язку. Використання цього обладнання в житлових зонах імовірно спричинить шкідливі перешкоди, в такому разі користувач буде змушений виправити наслідки перешкод за власні кошти.

Спосіб використання

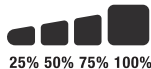
Крок 1: Зарядка пристрою GB251.

GB251 поставляється частково зарядженим і перед використанням його потрібно повністю зарядити. Під'єднайте GB251 за допомогою 12В автомобільного зарядного пристрою або настінного зарядного пристрою XG4 до 12В вхідного порту. Час повторної зарядки залежатиме від рівня розрядження та джерела живлення, яке використовується. Реальні показники можуть відрізнитися відповідно від стану акумулятора і рівня розрядження.

Під час повторної зарядки рівень заряджання внутрішнього акумулятора вказують світлодіодні індикатори зарядки. На світлодіодних індикаторах повільно блиматимуть "Увімкнено (On)" та "Вимкнено (Off)" і вони почнуть світитися, поки всі чотири світлодіодні індикатори зарядки не ввімкнуться. Коли акумулятор заряджено повністю, засвітиться зелений світлодіодний індикатор 100%, а світлодіодні індикатори зарядки 25%, 50% і 75% вимкнуться. Час від часу зелений світлодіодний індикатор 100% блиматиме, вказуючи, що відбувається підтримання зарядки.

Час повторної зарядки:	Номінальні параметри зарядного пристрою:
5hr	56W

Рівень внутрішнього акумулятора



Крок 2: Підключення до акумулятора

Уважно прочитайте та зрозумійте посібник користувача транспортного засобу щодо конкретних заходів безпеки та рекомендованих методів для запуску транспортного засобу за допомогою пускового пристрою. Визначте напругу та хімічний склад акумулятора, звернувшись до посібника користувача вашого акумулятора до використання цього пристрою. GB251 призначений для запуску лише 24-вольтових свинцево-кислотних акумуляторних систем. Перш ніж під'єднати до акумулятора, переконайтеся, що у вас 24-вольтова свинцево-кислотна акумуляторна система. GB251 не підходить для будь-якого іншого типу акумуляторів. Визначте правильну полярність клем на акумуляторі. Плюсова клемма акумулятора зазвичай позначена цими літерами або символом (POS, P, +). Мінусова клемма акумулятора зазвичай позначена цими літерами або символом (NEG, N, -). Не підключайте до карбюратора, ліній подачі палива або тонких деталей з листового металу. Наведені нижче інструкції стосуються системи з мінусовим заземленням (найчастіше). Якщо ваш автомобіль має плюсове заземлення (дуже рідко), ознайомтеся з посібником транспортного засобу, щоб отримати відповідні інструкції для запуску.

1.) Підключіть плюсовий (червоний) затискач до плюсової (POS, P, +) клемми акумулятора та мінусовий (чорний) затискач до мінусової (NEG, N, -) клемми акумулятора або шасі автомобіля.

Крок 3: Запуск від зовнішнього джерела

1.) Перш ніж запускати автомобіль від зовнішнього джерела, переконайтеся, що всі електричні навантаження на автомобіль (ліхтарі, радіо, кондиціонер тощо) вимкнено.

2.) Натисніть кнопку живлення, щоб почати запуск від пускового пристрою, і всі індикатори блимнуть один раз. Якщо ви правильно підключені до акумулятора, загориться білий індикатор запуску, а індикатори заряду акумулятора будуть блимати один за одним. Зворотний відлік у 60 секунд розпочнеться, як тільки буде виявлено акумулятор.

3.) Спробуйте запустити свій автомобіль. Більшість автомобілів запускаються миттєво. Для деяких автомобілів необхідно, щоб пристрій GB251 був підключений протягом 30 секунд до початку запуску автомобіля. Якщо автомобіль не запуститься зразу, зачекайте 20-30 секунд і спробуйте знову. Не намагайтеся здійснювати більше п'яти (5) запусків поспіль протягом п'ятнадцяти (15) хвилин. Дозвольте пристрою GB251 перепочити протягом п'ятнадцяти (15) хвилин перед наступною спробою запуску автомобіля.

4.) Запустивши свій автомобіль, від'єднайте акумуляторні затискачі та заберіть пристрій GB251.

60-секундний зворотний відлік часу.

Щойно буде виявлено акумулятор, почнеться зворотний відлік часу у 60 секунд. По закінченні 60 секунд функцію запуску буде відключено. Індикатор запуску вимкнеться, а індикатори внутрішнього заряду вказуватимуть поточний рівень заряду пристрою. Щоб скинути функцію запуску, натисніть кнопку живлення, щоб вимкнути пристрій. Знову натисніть кнопку живлення, щоб увімкнути пристрій та перезапустити функцію запуску.

ЗАСТЕРЕЖЕННЯ.

60-СЕКУНДНИЙ ЗВОРОТНИЙ ВІДЛІК ЧАСУ ВИМКНЕНО ПІД ЧАС ВИКОРИСТАННЯ РУЧНОГО РЕЖИМУ. У РУЧНОМУ РЕЖИМІ ЖИВЛЕННЯ БУДЕ ПОДАВАТИСЯ І НАДАЛІ. РЕКОМЕНДУЄТЬСЯ ВИМКНУТИ ПУСКОВИЙ ПРИСТРІЙ ВІДРАЗУ ПІСЛЯ ЗАПУСКУ ТРАНСПОРТНОГО ЗАСОБУ, ЩОБ МАКСИМІЗУВАТИ КІЛЬКІСТЬ ЗАПУСКІВ.

Низьковольтні акумулятори та ручне розблокування

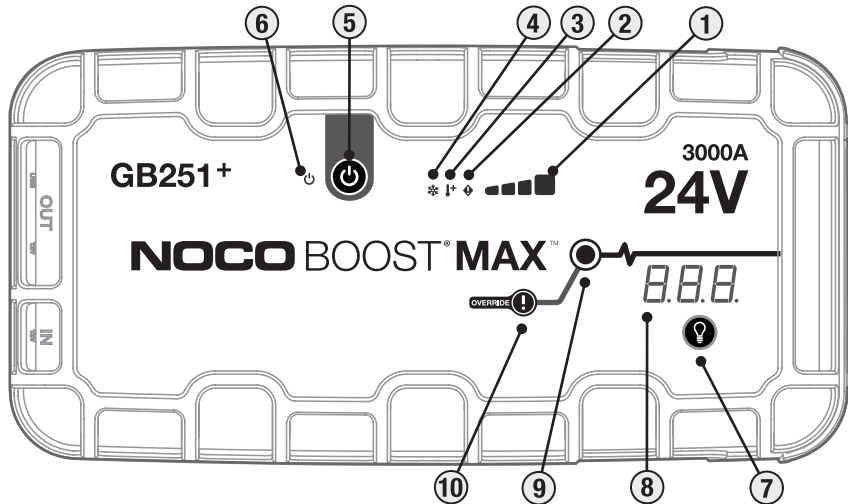
GB251 призначений для запуску 24-вольтових свинцево-кислотних акумуляторних систем, що розрядилися до 2 вольт. Якщо ваш акумулятор розрядився нижче 2 вольт, індикатор запуску буде вимкнено. Це свідчить, що GB251 не може виявити акумулятор. Якщо вам потрібно запустити акумулятор, що розрядився нижче 2 вольт, є ручний режим, що дозволяє примусово "увімкнути" функцію запуску. Якщо акумулятор розрядився нижче 2 вольт, індикатор запуску буде вимкнено, а вольтметр не буде показувати напругу.

ЗАСТЕРЕЖЕННЯ.

ВИКОРИСТОВУЙТЕ ЦЕЙ РЕЖИМ З ОСОБЛИВОЮ ОБЕРЕЖНІСТЮ. ЦЕЙ РЕЖИМ ПРИЗНАЧЕНИЙ ДЛЯ ЗАРЯДЖАННЯ ЛИШЕ 24-ВОЛЬТОВИХ СВИНЦЕВО-КИСЛОТНИХ АКУМУЛЯТОРНИХ СИСТЕМ. ФУНКЦІЇ ЗАХИСТУ ВІД ІСКРИ ТА ЗАХИСТУ ВІД ЗВОРотної ПОЛЯРНОСТІ ВИМКНЕНО. ПЕРЕД ВИКОРИСТАННЯМ ЦЬОГО РЕЖИМУ УВАЖНО ПЕРЕВІРТЕ ПОЛЯРНІСТЬ АКУМУЛЯТОРА. СЛІДКУЙТЕ, ЩОБ ПЛЮСОВИЙ І МІНУСОВИЙ ЗАТИСКАЧІ АКУМУЛЯТОРА НЕ ТОРКАЛИСЯ І НЕ З'ЄДНУВАЛИСЯ. ОСКІЛЬКИ ЦЕ ПРИЗВЕДЕ ДО ПОЯВИ ІСКОР. У ЦЬОМУ РЕЖИМІ ВИКОРИСТОВУЄТЬСЯ ДУЖЕ ВИСОКИЙ СТРУМ (ДО 3000 АМПЕР), ЩО МОЖЕ ПРИЗВЕСТИ ДО ПОЯВИ ІСКОР ТА НАГРІВАННЯ ДО ВИСОКОЇ ТЕМПЕРАТУРИ ПРИ НЕПРАВИЛЬНОМУ ВИКОРИСТАННІ. ЯКЩО ВИ НЕ ВПЕВНЕНІ У ВИКОРИСТАННІ ЦЬОГО РЕЖИМУ, НЕ НАМАГАЙТЕСЯ І ЗВЕРНІТЬСЯ ЗА ДОПОМОГОЮ ДО СПЕЦІАЛІСТА.

Подача живлення на ваш USB та 12В пристрої.

GB251 має (2) порти USB-OUT та порт 12 V-OUT (порт 12V AUX/прикурювач). Під'єднайте будь-який стандартний USB-пристрій чи 12В пристрій (до 15А) та "увімкніть" GB251, щоб почати живити пристрої.



Інтерфейс

- 1. Світлодіодний індикатор живлення** світиться білим кольором, коли пристрій увімкнено ("On").
- 2. Натисніть кнопку живлення**, щоб увімкнути ("On") та вимкнути ("Off") пристрій.
- 3. Світлодіодний індикатор охолодження** світиться синім кольором: пристрій повністю справний, але наближається до мінімального температурного ліміту. Блимає синім кольором: пристрій надто холодний для здійснення запуску, але інші функції все ще доступні.
- 4. Світлодіодний індикатор нагріву** світиться червоним кольором: пристрій повністю справний, але наближається до максимального температурного ліміту. Блимає червоним кольором: пристрій надто гарячий для здійснення запуску, але інші функції все ще доступні.
- 5. Світлодіодний індикатор помилки** світиться червоним кольором у разі виявлення зміненої полярності
- 6. Рівень внутрішнього акумулятора** вказує рівень зарядки внутрішнього акумулятора.
- 7. Кнопка ручного розблокування.** Щоб активувати, натисніть та утримуйте протягом трьох (3) секунд. **УВАГА: Вимикає захист і вмикає ("On") примусовий запуск. Слід використовувати лише, якщо вольтаж акумулятора надто низький і пристрій не відчуває його.**
- 8. Світлодіодний індикатор функціонування світиться білим кольором**, коли пристрій активовано. Якщо пристрій GB251 підключено до акумулятора правильно, він автоматично відчує акумулятор і активується (світлодіодний індикатор почне блимати білим кольором, коли активовано функцію ручного розблокування).
- 9. Вольтметр / Таймер зворотного відліку.** Вбудований вольтметр зчитує вольтаж автомобільного акумулятора, забезпечуючи розширену діагностику та вирішення проблем. Вольтметр автоматично зчитує вольтаж будь-якого акумулятора (чи акумуляторної системи) при підключенні акумуляторних затискачів, навіть якщо пристрій вимкнено. Вольтметр зчитує вольтаж у діапазоні від ~3 В до ~30 В. Якщо вольтаж підключеного акумулятора нижчий ніж 3 В, нічого не відобразитиметься. Якщо вольтаж настільки низький, імовірно існує навантаження на акумулятор, наприклад, увімкнені ліхтарі чи вентилятор змінного струму, які слід вимкнути, перш ніж завести автомобіль. Поки пристрій увімкнено і після виявлення батареї, вольтметр відобразить 60 секунд.
- 10. Кнопка режиму підсвічування.** Вмикає над'яскраве світлодіодне підсвічування в 7 режимах: 100% > 50% > 10% > SOS > Блимання > Імпульс > Вимкнено ("Off").

Проблеми та способи їх вирішення

	Помилка	Причина/Рішення
⚠	Світлодіодний індикатор помилки: світиться червоним кольором	Змінена полярність / Змініть підключення до акумулятора.
	Світлодіодний індикатор помилки: блимає червоним кольором. Кабелі підключені правильно	Виявлено коротке замикання на затискачах акумулятора. / Нехай акумулятор перевірить професіонал.
	Одиничний (1) спалах	Виявлено коротке замикання на затискачах акумулятора. / Приберіть усе, підключіть затискачі до акумулятора повторно.
	Подвійний (2) спалах	Висока напруга, виявлена на затискачах (GB251 підключений до системи напруги більше 24 В).
	Четверний (4) спалах	Помилка часу очікування заряду (тобто GB251 занадто довго стягується)
	П'ятикратний (5) спалах	XGC OUT над струмом (тобто більше 15 ампер виводиться з порту XGC OUT)
	Шість (6) спалах	Несправність BMS (система управління акумулятором). (Живлення GB251 знову вимкнено та знову увімкнено для очищення. Якщо проблема не зникне, зверніться до служби підтримки)
!+	Світлодіодний індикатор нагрівання: світиться	Пристрій повністю справний, але наближається до максимального температурного ліміту. / Дозвольте пристрою охолонути.
	Світлодіодний індикатор нагрівання: блимає	Пристрій занадто гарячий для швидкого запуску, у цьому стані доступний лише ліхтарик. / Дайте пристрою охолонути.
	Світлодіодний індикатор нагрівання: блимає, а тоді всі світлодіодні індикатори вимикаються	Пристрій надто гарячий для здійснення запуску чи інших функцій. / Дозвольте пристрою охолонути та перенесіть його в прохолодніше середовище.



Світлодіодний індикатор охолодження: світиться	Пристрій повністю справний, але наближається до мінімального температурного ліміту. / Дозвольте пристрою розігрітися.
Світлодіодний індикатор охолодження: блимає	Пристрій занадто холодний для швидкого запуску, у цьому стані доступний лише ліхтарик / Дозвольте приладу прогрітися.
Світлодіодний індикатор охолодження: блимає, а тоді всі світлодіодні індикатори вимикаються	Пристрій надто холодний для здійснення запуску чи інших функцій. / Дозвольте пристрою розігрітися та перенесіть його в тепліше середовище.
Світлодіодний індикатор функціонування не вмикається.Кабелі підключені правильно	Вольтаж підключеного акумулятора менший ніж 3 В/ Усуньте всі навантаження та спробуйте знову, або скористайтеся режимом ручного розблокування.

Технічні характеристики

Внутрішній акумулятор: 137Wh Літій-іонний	12V (вхід): 12V/5A (14V Макс)
Пікове значення струму: 3000A	12V (вихід): 12V, 15V Макс
Робоча температура: від -20°C до +50°C	Захист корпусу: IP65 (порти закриті)
Температура зарядки: від 0°C до +40°C	Охолодження: Природна конвекція
Температура зберігання: від -20°C до +50°C (середнє значення)	Розміри (Д x Ш x В): 31,75 x 20,83 x 3,39 Сантиметри
USB (вихід): 5 В, 2,1 А	Маса: 6,19 кілограмів (13,65 lb)

Обмежена гарантія NОСО тривалістю один (1) рік

Компанія NОСО гарантує, що цей товар ("Товар") не матиме дефектів матеріалу та виробництва протягом одного (1) року з дати придбання ("Гарантійний період"). Якщо протягом Гарантійного періоду будуть виявлені недоліки, компанія NОСО, на свій розсуд і за умови здійснення аналізу службою технічної підтримки компанії NОСО, проведе ремонт несправного Товару або замінить його. Старі деталі будуть замінені новими або тими, які були у використанні, але перебувають у хорошому технічному стані, та які відповідають функціональності та продуктивності оригінальних деталей; гарантія на такі деталі діє до кінця оригінального Гарантійного періоду.

ВІДПОВІДНО ДО ЦЬОГО ДОКУМЕНТУ, ЗОБОВ'ЯЗАННЯМИ КОМПАНІЇ NОСО Є ЗАМІНА ДЕТАЛЕЙ АБО РЕМОНТ. ВІДПОВІДНО ДО ЗАКОНОДАВСТВА, КОМПАНІЯ NОСО НЕ НЕСЕ ВІДПОВІДАЛЬНОСТІ ПЕРЕД ПОКУПЦЕМ ТОВАРУ АБО ІНШОЮ СТОРОННЬОЮ ОСОБОЮ ЗА БУДЬ-ЯКІ ОСОБЛИВІ, НЕПРЯМІ, ПОБІЧНІ ЧИ ТИПОВІ ГРОШОВІ ЗБИТКИ, В ТОМУ ЧИСЛІ, СЕРЕД ІНШОГО, ВТРАЧЕНИЙ ДОХІД, ПОШКОДЖЕННЯ МАЙНА ЧИ ТРАВМИ, ПОВ'ЯЗАНІ БУДЬ-ЯКИМ ЧИНОМ ІЗ ТОВАРОМ, НАВІТЬ ЯКЩО КОМПАНІЇ NОСО БУЛО ВІДОМО ПРО МОЖЛИВІСТЬ ТАКИХ ЗБИТКІВ. ГАРАНТІЙНІ ЗОБОВ'ЯЗАННЯ, ВИКЛАДЕНІ В ЦЬОМУ ДОКУМЕНТІ, ЗАМІНЮЮТЬ УСІ ІНШІ ГАРАНТІЙНІ ЗОБОВ'ЯЗАННЯ, ЯКІ БУЛИ ВИРАЖЕНІ, ПРИПУЩЕНІ, ВСТАНОВЛЕНІ ЗАКОНОМ ТОЩО, У ТОМУ ЧИСЛІ, СЕРЕД ІНШОГО, НЕЯВНІ ГАРАНТІЇ ПРИДАТНОСТІ ДЛЯ ПЕВНОЇ МЕТИ, А ТАКОЖ ТІ, ЩО ВИНИКЛИ ВНАСЛІДОК ЗВИЧАЙНОГО ВЕДЕННЯ СПРАВ, ВИКОРИСТАННЯ І ТОРГОВЕЛЬНОЇ ПРАКТИКИ. У РАЗІ, ЯКЩО БУДЬ-ЯКИЙ ВІДПОВІДНИЙ ЗАКОН НАКЛАДАТИМЕ ПЕВНІ ГАРАНТІЇ, УМОВИ ЧИ ЗОБОВ'ЯЗАННЯ, ЯКІ НЕМОЖЛИВО ВИКЛЮЧИТИ АБО ЗМІНИТИ, ЦЕЙ АБЗАЦ БУДЕ ЗАСТОСОВУВАТИСЯ ЛИШЕ В МЕЖАХ ВІДПОВІДНОГО ЗАКОНОДАВСТВА.

Ця обмежена гарантія діє виключно на користь початкового покупця Товару, який придбав його в компанії NОСО або в дилера чи дистриб'ютора, затвердженого компанією NОСО, та не підлягає передачі. Щоб пред'явити гарантійні претензії, покупець повинен: (1) подати запит та отримати номер дозволу на повернення товару та місце, куди слід повернути товар ("Місце повернення") у службі підтримки компанії NОСО, відправивши повідомлення на електронну адресу support@no.co або зателефонувавши за номером 1-800-456-6626; та (2) надіслати Товар разом із номером дозволу на повернення товару, квитанцією або гарантійним внеском (внесок потрібний лише за відсутності квитанції) у розмірі 45% від рекомендованої роздрібною ціною виробника несправного Товару ("Гарантійний внесок") [Дозвіл на повернення товару міститиме суму Гарантійного внеску, який потрібно сплатити] у Місце повернення. НЕ НАДСИЛАЙТЕ ТОВАР БЕЗ ОТРИМАННЯ ДОЗВОЛУ НА ПОВЕРНЕННЯ ТОВАРУ В СЛУЖБІ ПІДТРИМКИ КОМПАНІЇ NОСО.

ПОЧАТКОВИЙ ПОКУПЕЦЬ НЕСЕ ВІДПОВІДАЛЬНІСТЬ (І ПОВИНЕН ВНЕСТИ ПОПЕРЕДНЮ ОПЛАТУ) ЗА ВСІ ВИТРАТИ НА ПАКУВАННЯ

ТА ПЕРЕВЕЗЕННЯ ТОВАРУ ДЛЯ ГАРАНТІЙНОГО ОБСЛУГОВУВАННЯ.

НЕЗВАЖАЮЧИ НА ВИЩЕВКАЗАНЕ, ЦЯ ОБМЕЖЕНА ГАРАНТІЯ НЕ ДІЄ ТА НЕ ЗАСТОСОВУЄТЬСЯ ДО ТОВАРІВ: (а) що використовуються неналежним чином, неправильно переносяться, піддаються необережному чи недбалому поводженню, аваріям, неправильно зберігаються або експлуатуються в умовах екстремальних напруг, температури, ударів чи вібрації, що не відповідає рекомендаціям компанії NOCO щодо безпечного та ефективного використання; (б) встановлення, експлуатація та обслуговування яких здійснюється неправильно; (в) які перероблялися без письмової згоди компанії NOCO; (г) розбір, зміна чи ремонт яких не здійснювався фахівцем компанії NOCO; (г) про несправності яких було повідомлено після закінчення Гарантійного періоду.

ЦЯ ОБМЕЖЕНА ГАРАНТІЯ НЕ ПОКРИВАЄ: (1) звичайне зношування; (2) косметичні пошкодження, які не впливають на функціональність; або (3) Товари, де серійний номер компанії NOCO відсутній, змінений чи стертий.

УМОВИ ГАРАНТІЇ

Ці умови поширюються лише на товар протягом гарантійного періоду. Гарантія є недійсною, якщо минув час з дати придбання (минув час з дати серійного номера, якщо немає підтвердження про покупку) і за умов, перелічених раніше в цьому документі. Поверніть товар із відповідною документацією.

3 квитанцією:

1 рік: БЕЗ заряду. З підтвердженням про покупку, гарантійний строк починається з дати придбання

БЕЗ квитанції:

1 рік: БЕЗ заряду. БЕЗ наявності підтвердження про покупку, гарантійний термін починається з дати серійного номера.

Ви можете зареєструвати свій пристрій NOCO за адресою: no.co/register. Якщо у вас виникають будь-які запитання щодо гарантії чи товару, зверніться до служби підтримки компанії NOCO (адреса електронної пошти та номер телефону вказані вище) або напишіть за адресою: The NOCO Company, at 30339 Diamond Parkway, #102, Glenwillow, OH 44139 USA.

NOCO BOOST[®] MAX[™] GB251+



OPASNOST

Korisničke upute i garancija



PRIJE UPOTREBE PROIZVODA POTREBNO JE PROČITATI I RAZUMJETI SVE SIGURNOSNE INFORMACIJE Nepridržavanje ovih sigurnosnih uputa može rezultirati ELEKTRIČNIM UDAROM, EKSPLOZIJOM ILI POŽAROM koji mogu dovesti do OZBILJNIH POVREDA, SMRTI ili OŠTEĆENJA IMOVINE.



Električni udar. Proizvod je električni uređaj koji može izazvati udar i nanijeti ozbiljne povrede. Nemojte presijecati kabele napajanja. Nemojte potapati u vodi ili močiti uređaj.



Eksplוזija. Uz proizvod nemojte koristiti akumulatore koji nisu nadzirani ili koji su nekompatibilni i oštećeni jer mogu eksplodirati. Tokom upotrebe proizvod nemojte ostavljati bez nadzora. Nemojte pokušavati brzo pokrenuti oštećeni ili smrznuti akumulator. Za proizvod koristite samo akumulatore preporučenog napona. Proizvod koristite u dobro prozračenom prostoru.



Požar. Proizvod je električni uređaj koji emitira toplinu i može uzrokovati opekotine. Nemojte prekrivati proizvod. Nemojte pušiti ili koristiti nikakav izvor iskrenja ili plamen tokom rada sa proizvodom. Nemojte držati proizvod u blizini zapaljivih materijala.



Povrede oka. Nosite zaštitne naočale tokom rada sa proizvodom. Baterije mogu eksplodirati, što može raznijeti krhotine uokolo. Kiselina iz baterije može uzrokovati iritaciju očiju i kože. U slučaju kontaminacije očiju ili kože, isperite zahvaćeno područje čistom tekućom vodom i odmah kontaktirajte centar za kontrolu trovanja.



Eksplוזivni plinovi. Rad u blizini akumulatora na bazi olova i kiseline je opasan. Akumulatori proizvode eksplozivne plinove tokom normalnog rada. Kako biste smanjili opasnost od eksplozije akumulatora, slijedite sve sigurnosne informacije i informacije proizvođača akumulatora te sve opreme koju ćete koristiti u blizini akumulatora. Pregledajte sve upozoravajuće oznake na tim proizvodima i na motoru.

Bosanski

Za više informacije i podršku
posjetite:

www.no.co/support

Važna sigurnosna upozorenja

OPREZ

U manuelnom režimu rada sve sigurnosne mjere su isključene. U slučaju neispravnog rukovanja i/ili rukovanja u suprotnosti s našim preporukama, može doći do povrede ili smrti, te poništenja garancije. Postoji rizik od požara, eksplozije ili opekotina. Nemojte rastavljati, lomiti, grijati iznad 60°C (140°F) ili paliti. Uređaj je namijenjen za privremenu vanjsku upotrebu, te je u mokrim uslovima potrebno korištenju uređaja pristupiti s razumnim oprezom.

UPOZORENJE

Nemojte prepunjavati internu bateriju. Vidi Uputstvo. Nemojte pušiti, paliti šibicu ili uzrokovati varničenje u blizini napojnog seta. Internu bateriju puniti samo u dobro prozračenom prostoru kada je van upotrebe.

OPREZ

Rizik od povreda. Nemojte koristiti proizvod ako postoji bilo kakvo oštećenje na napojnom kablju ili kablovima baterije. Uređaj nije namijenjen za upotrebu u komercijalnim pogonima za popravku. Kada je van upotrebe, uređaj je potrebno skladištiti u zatvorenom prostoru. Uređaj se ne smije skladištiti ili ostaviti na otvorenom kada je van upotrebe.

Prijedlog 65. Nosači i priključci akumulatora te druga povezana oprema sadrže kemikalije, uključujući i olovo. U Kaliforniji je dokazano da ti materijali uzrokuju rak i urođene mane kod djece te druga reproduktivna oštećenja. **Lična predostrožnost.** Proizvod koristite samo za predviđene svrhe. Neko bi se uvijek trebao nalaziti u doseg vašeg glasa ili dovoljno blizu da može priskočiti u pomoć u hitnom slučaju. U blizini držite čistu vodu i sapun za slučaj kontaminacije kiselinom iz akumulatora. Nosite naočale koje prekrivaju cijele oči i zaštitnu odjeću prilikom rada u blizini akumulatora. Uvijek operite ruke nakon rukovanja sa akumulatorima i drugim povezanim materijalima. Nemojte rukovati ili imati na sebi nikakve metalne predmete prilikom rada sa akumulatorima, uključujući alate, satove ili nakit. Ako metal padne na akumulator, može doći do iskrenja ili nastanka kratkog spoja koji mogu izazvati električni udar, požar ili eksploziju koji mogu dovesti do povreda, smrti ili oštećivanja imovine. **Maloljetnici.** Ako kupac namjerava da proizvod koristi maloljetnik, odrasla osoba koja je kupac preuzima odgovornost da prije upotrebe maloljetniku prenese detaljne upute i upozorenja. Ta je obaveza isključiva odgovornost kupca koji pristaje nadoknaditi štetu firmi NOCO za svaku upotrebu koja nije u skladu sa predviđenom ili pogrešnu upotrebu maloljetnika. **Opasnost od gušenja.** Dodatna oprema može predstavljati opasnost od gušenja za djecu. Nemojte ostavljati djecu bez nadzora u blizini proizvoda ili druge dodatne opreme. Ovaj

proizvod nije igračka. **Rukovanje.** Pažljivo rukujte sa proizvodom. Proizvod se može oštetiti ako se udari. Nemojte koristiti oštećeni proizvod, ako na primjer ima pukotina na kućištu ili ako su mu kabele oštećeni. Nemojte koristiti proizvod sa oštećenim kablom za napajanje. Vлага i tekućine mogu oštetiti proizvod. Nemojte koristiti proizvod ili druge električne komponente u blizini tekućina. Čuvajte i koristite proizvod samo na suhim mjestima. Nemojte raditi sa proizvodom ako se smoči. Ako se proizvod smoči tokom rada, isključite bateriju i odmah prekinite sa upotrebom. Proizvod nemojte isključivati povlačenjem kabela. **Modifikacije.** Nemojte pokušavati mijenjati, modificirati ili popravljati nijedan dio proizvoda. Rastavljanje proizvoda može uzrokovati povrede, smrt ili oštećivanje imovine. Ako se proizvod ošteti, pokvari ili dođe u doticaj sa tekućinom, prekinite sa njegovom upotrebom i kontaktirajte NOCO. Sve modifikacije proizvoda poništiti će garanciju. **Dodaci.** Proizvod se smije koristiti samo uz dodatnu opremu koju je proizvela firma NOCO. NOCO nije odgovoran za sigurnost korisnika ili štetu radi upotrebe dodatne opreme koju nije proizvela firma NOCO. **Lokacija.** Spriječite doticaj tekućine sa proizvodom. Nemojte koristiti proizvod u zatvorenom prostoru ili prostoru sa ograničenom ventilacijom. Nemojte bateriju stavljati na proizvod. Uvodnike kabela smjestite tako pomični dijelovi vozila (uključujući haube i vrata) i pomični dijelovi motora (uključujući lopatice ventilatora, pojaseve i remene) ne prouzroče slučajno opasnost koja može dovesti do povreda ili smrti. **Radna temperatura.** Predviđena okolna temperatura za rad proizvoda je između -20 °C i 50 °C. Nemojte upotrebljavati proizvod na temperaturama izvan ovog raspona. Nemojte brzo pokretati smrznuti akumulator. Ako se akumulator pregrije, odmah prestanite koristiti proizvod. **Čuvanje.** Nemojte koristiti ili čuvati proizvod na mjestima sa visokom koncentracijom prašine ili materijala koji se prenosi zrakom. Čuvajte proizvod na ravnoj i čvrstoj površini kako ne bi pao. Čuvajte proizvod na suhom mjestu. Proizvod se treba čuvati na temperaturi između -20 °C i 50 °C (Prosečna temperatura 0°C do + 25°C). Temperatura ne smije ni u kom slučaju prijeći 80 °C. **Kompatibilnost.** Produkt je kompatibilan jedino sa 12 volt acid baterijama. Nemojte pokušavati druge tipove baterija u proizvod. Korištenjem drugih baterija može rezultirati povredama, smrću ili oštećenjem imovine. Prije korištenja baterija kontaktirajte proizvođača. Nemojte koristiti baterije ako niste sigurni u specifikaciju sastava ili voltažu baterija. **Baterija.** Ugrađenu litij-ionsku bateriju u proizvodu smije zamijeniti samo osoblje firme NOCO i ona se mora reciklirati ili zbrinuti u otpad odvojeno od otpada iz domaćinstva. Nemojte pokušavati sami zamijeniti bateriju i nemojte rukovati sa oštećenom ili litij-ionskom baterijom iz koje curi. Nikada ne bacajte bateriju u smeće sa otpadom iz domaćinstva. Bacanje baterije u smeće za otpad iz domaćinstva zabranjeno je državnim i federalnim zakonima i propisima o zaštiti okoliša. Istrošene baterije uvijek se moraju odnijeti u lokalni centar za recikliranje. Ako se baterija u proizvodu pregrije, ako ispušta neobičan miris, ako se deformira, zareže ili pokazuje neku drugu neuobičajenu pojavu, odmah prekinite sa njenim korištenjem i kontaktirajte NOCO. **Punjenje baterije.** Napunite proizvod sa 12 VDC auto punjačem ili XGC4 zidnim punjačem. Nemojte koristiti generičke ili druge punjače jer predstavljaju oziljan rizik koji može rezultirati povredom osoba, uređaja ili imovine. Korištenje oštećenog kabla ili punjača kod punjenja može izazvati strujni udar. NOCO nije odgovoran za korisnikovu sigurnost, oštećenje uređaja ili oštećenje imovine kod korištenja dodataka za napajanje koje nije dozvolio NOCO. Kada koristite XGC4 zidni punjač

budite sigurni da je utičak potpuno utaknut prije uključivanja u struju. Adapter za napajanje može se zagrijati tokom normalnog korištenja dok kontakt sa njim duži može izazvati povrede. Uvijek osigurajte cirkulaciju svježeg zraka za vrijeme korištenja adaptera. Da bi osigurali maksimalno trajanje baterije izbjegavajte punjenje proizvoda više od jednog puta sedmično jer prekomjerno punjenje može skratiti trajni vijek baterije. U toku vremena na korištenja baterija onda se prazni i mora se ponovo dopuniti. Odspojite proizvod sa punjenja kada se ne koristi. Proizvod koristite samo za njegovu svrhu. **Medicinski uređaji.** Proizvod može emitirati elektromagnetska polja. Proizvod sadrži magnetske komponente koje mogu ometati rad pejsmejкера, defibrilatora ili drugih medicinskih uređaja. Magnetna polja mogu ometati rad pejsmejкера i drugih medicinskih uređaja. Posavjetujte se sa vašim ljekarom prije upotrebe ako koristite neki medicinski uređaj, uključujući pejsmejker. Ako sumnjate na to da proizvod ometa rad vašeg medicinskog uređaja, odmah ga prestanite koristiti i kontaktirajte svog ljekara. **Zdravstveni problemi.** Ako imate zdravstvenih problema na koje bi po vašem mišljenju proizvod mogao utjecati, uključujući između ostalog ako doživljavate napadaje, nesvjesticu, zamaranje očiju ili glavobolje, posavjetujte se sa svojim ljekarom prije upotrebe proizvoda. Upotreba integrirane snažne svjetiljke može prouzročiti preosjetljivost na svjetlo. Upotreba stroboskopskog svjetla može izazvati napadaj kod osoba sa fotosenzitivnom epilepsijom, što može rezultirati ozbiljnim povredama ili smrću. **Svjetlo.** Netremično gledanje ravno u svjetiljku može uzrokovati trajno oštećenje očiju. Proizvod je opremljen snažnom predfokusiranom LED lampom koja emitira snažan snop svjetla na postavci za najjače svjetlo. **Čišćenje.** Isključite proizvod prije njegovog održavanja ili čišćenja. Čistite i osušite proizvod odmah nakon što dođe u dodir sa tekućinom ili bilo kojom vrstom kontaminanata. Koristite meku krpu koja ne ispušta čestice (od mikrofibre). Pazite da vlaga ne uđe u otvore. **Eksplozivno okruženje.** Poštujte sve znakove i pridržavajte se svih uputa. Nemojte koristiti proizvod u potencijalno eksplozivnom okruženju, uključujući mjesta na kojima je prisutno gorivo ili mjesta koja sadrže kemikalije ili čestice poput sjemena, prašine ili metalnog praha. **Aktivnosti sa značajnim posljedicama.** Ovaj proizvod nije predviđen za upotrebu kod koje bi njegov kvar mogao uzrokovati povrede, smrt ili ozbiljnu štetu uza okoliš. **Radiofrekvencijske smetnje.** Proizvod je konstruiran, testiran i izrađen u skladu sa propisima o radiofrekvencijskom emitiranju. Takva emitiranja proizvoda mogu imati negativan učinak na rad druge elektroničke opreme i uzrokovati njihov kvar. **Broj modela: GB251** Ovaj uređaj je usklađen sa Dijelom 15 FCC pravila. Rad proizvoda ovisi o slijedeća dva uvjeta: (1) uređaj ne smije uzrokovati štetne smetnje i (2) uređaj mora primiti sve smetnje koje do njega dolaze, uključujući smetnje koje mogu uzrokovati neželjen rad uređaja. **NAPOMENA:** Ova oprema je testirana i utvrđeno je da je usklađena sa ograničenjem za digitalne uređaje Klase A, prema Dijelu 15 FCC pravila. Ova ograničenja osmišljena su radi pružanja zaštite od smetnji u razumnoj mjeri kada oprema radi u komercijalnom okruženju. Ova oprema proizvodi, koristi i može zračiti radiofrekvencijsku energiju te može, ako nije instalirana i korištena u skladu sa uputama iz priručnika, uzrokovati štetne smetnje za radijsku komunikaciju. Rad ove opreme u stambenom području može uzrokovati štetne smetnje koje korisnik mora ukloniti o vlastitom trošku.

Kako koristiti proizvod

Korak 1: Napunite punjač/starter GB251.

GB251 dolazi djelomično ne napunjen u kutiji te ga je potrebno napuniti do kraja za korištenje. Spojite GB251 s 12 V ULAZNIM portom pomoću 12V DC auto punjača ili XGC4 zidnog punjača koji je obezbjeđen uz uređaj. Vrijeme potrebno za punjenje GB251 razlikuje se i zavisi od nivoa ispražnjenosti i izvora napajanja. Stvarni rezultati mogu varirati zbog stanja baterije i nivoa ispražnjenosti.

Prilikom punjenja, razina napunjenosti unutarnje baterije prikazana je LED lampicama punjenja. LED lampice polako će se paliti i gasiti i trajno će svijetliti kad se uključe sve četiri LED lampice punjenja. Kada se baterija do kraja napuni, zelena LED lampica sa oznakom 100% trajno će svijetliti, a lampice sa oznakom 25%, 50% i 75% će se isključiti. LED lampica sa oznakom 100% povremeno će pulsirati označavajući da je u toku punjenje za održavanje.

Korak 2: Priključite uređaj na akumulator.

Pažljivo sa razumjevanjem pročitajte korisničko upustvo sa specifikacijama i preporučenim metodama za startanje vozila. Budite sigurni da odredite voltažu i hemiju baterije po upustvu za korištenje ovog proizvoda. GB251 može koristiti samo 24 VOLT lead acid bateriju. Prije povezivanje baterije provjerite da li je vaša baterija 24 volt lead acid baterija. GB251 nije predodređen za nijedan drugi tip baterije. Plusni dio baterije je obilježen slovima ili simbolima (POS,P,+). Minusni dio baterije je obilježen slovima ili simbolima (NEG,N,-). Nemojte povezivati sa karburatom, dovodom goriva, limom ili metalnim dijelovima. Ove instrukcije odnose se na negativne uzemljene sisteme (najviše). Ako vaše vozilo je na pozitivnom (vrlo neobičajeno) potražite dodatne upute za pravilno startanje.

1.) Spojite pozitivnu (crvenu) baterijsku klemu s pozitivnim (POS,P,+) baterijskim terminalom, a negativnu (crnu) baterijsku klemu s negativnim (NEG,N,-) baterijskim terminalom ili šasijom vozila.

Vrijeme punjenja:	Razred punjača:
5hr	56W

Indikator razine unutarnje baterije



Korak 3: **Brzo pokretanje.**

- 1.) Prije brzog pokretanja vozila provjerite jesu li svi potrošači struje (svjetla, radio, klima uređaj i sl.) isključeni.
- 2.) Pritisni dugme za paljenje i LED će zasvijetliti jednom. Ako ste pravilno povezali baterije bijeli LED će se upaliti a LED za punjenje baterije će nestati. Odbrojavanje od 60 sekundi će startati čim baterija bude detektovana.
- 3.) Pokušajte pokrenuti motor vozila. Većina motora vozila odmah će se pokrenuti. Nekim vozilima će trebati da punjač/starter GB251 bude priključen 30 sekundi prije nego što se njihov motor pokrene. Ako se motor vozila ne pokrene odmah, pričekajte 20-30 sekundi i pokušajte ponovo. Nemojte pokušavati brzo pokrenuti vozio više od pet (5) puta uzastopno unutar petnaest (15) minuta. Pustite da punjač/starter odstoji GB251 petnaest (15) minuta prije sljedećeg pokušaja brzog pokretanja vozila.
- 4.) Kada pokrenete motor vozila, isključite stezaljke baterije i uklonite punjač/starter GB251.

Mirovanje od 60 sekundi

Odbrojavanje od 60 sekundi započinje čim se detektuje baterija. Nakon isteka 60 sekundi, isključuje se opcija pokretanja. Isključit će se LED indikator za punjenje i LED indikatori punjenja interne baterija prikazat će trenutni nivo punjenja jedinice. Da bi se ponovo započela opcija pokretanja, pritisnite dugme za pokretanje da biste isključili jedinicu. Ponovo pritisnite dugme za pokretanje kako biste uključili jedinicu i ponovo započeli funkciju pokretanja.

OPREZ.

MIROVANJE OD 60 SEKUNDI JE ISKLJUČENO U REŽIMU RADA RUČNOG PREMOŠTENJA. NAPAJANJE SE I DALJE VRŠI KADA JE AKTIVIRANO RUČNO PREMOŠTENJE. DA BI SE OMOGUĆIO MAKSIMALNI BROJ POKRETANJA, PREPORUČUJE SE DA SE ISKLJUČI BOOST JEDINICA ČIM SE VOZILO POKRENE.

Baterije niskog napona i ručno premoštavanje

GB251 je napravljena da starta sa 24 VOLT lead acid baterijom na 2 volta. Ako je baterija ispod 2 volta led svjetlo će biti ugašeno. Ovo je

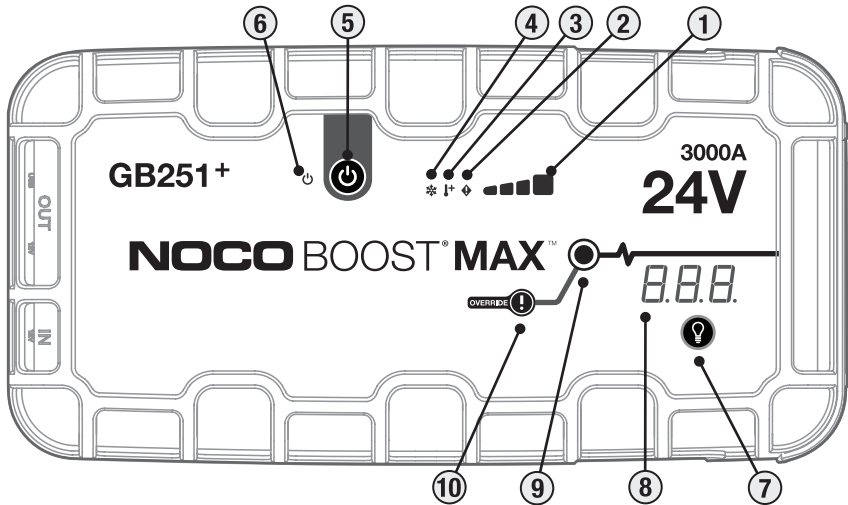
indikator da GB251 ne može detektovati bateriju. Ako trebate pokrenuti bateriju koja je ispod 2 volta u uputama postoji mogućnost koja dozvoljava prisilno pokretanje funkcije. Ako je ispod 2 volta led svjetlo će biti ugašeno a voltmetar neće prikazivati voltažu na displeju.

OPREZ.

OVAJ NAČIN RADA KORISTITE UZ NAJVEĆI OPREZ. OVAJ NAČIN RADA KORISTI SE SAMO ZA 24-VOLTNE BATERIJSKE SISTEME S OLOVNOM KISELINOM. ISKLJUČUJU SE I ZAŠTITA OD VARNIČENJA I ZAŠTITA OD OBRNUTE POLARNOSTI. OBRATITE PAŽNJU NA POLARITETE BATERIJE PRIJE KORIŠTENJA OVOG MODA. NEMOJTE DOZVOLITI DA POZITIVNI I NEGATIVNI DIJELOVI BATERIJE DODIRUJU ILI BUDU POVEZANI JEDNI SA DRUGOM DOK PROIZVOD GENERIŠE ISKRE. OVAJ MOD GENERIŠE VELIKU PROVODNOST (I DO 3000 AMPERA) I MOŽE IZAZVATI ISKRE I VIŠOKU TOPLOTU AKO SENE KORISTI PRAVLNO. AKO NISTE SIGURNI U KORIŠTENJE OVOG MODA POTRAŽITE PROFESIONALNU POMOĆ.

Napajanje USB & 12V uređaja.

GB251 ima (2) USB IZLAZNA porta i 12V IZLAZNI porta (12V AUX/ upaljač ulaza). Uključite u standardni USB.



Interfejs

1.) Indikator razine unutarnje baterije ukazuje na razinu napunjenosti baterije.

2.) LED lampica greške svijetli crveno ako se otkrije obrnuti polaritet ili trepće "uključeno" i "isključeno" u različitim sekvencama (od 1 do 6 treptaja) kako bi se prikazali uvjeti greške.

3.) LED vrućeg modusa svijetli stalno crveno: jedinica je potpuno funkcionalna, no približava se gornjem temperaturnom pragu. Treperi crveno; Jedinica je prevruća za pokretanje, samo je svjetiljka dostupna u ovom stanju.

4.) LED hladnog modusa svijetli stalno plavo: jedinica je potpuno funkcionalna, no približava se donjem temperaturnom pragu. Trepćuća plava; Jedinica je prehladna za pokretanje, u ovom stanju je dostupna samo svjetiljka.

5.) Pritiskom na gumb za uključivanje uređaj se uključuje ili isključuje.

6.) LED lampica uključivanja svijetli bijelo kada je uređaj uključen. Svijetlit će narančasto nakon odbrojavanja vremenskog ograničenja od 60 sekundi sve dok se stezaljke ne uklone iz akumulatora ili dok se GB251 ne isključi i ponovo uključi.

7.) Gumbom za način rada svjetla prebacuje se na jedan od 7 načina rada svjetla: 100% > 50% > 10% > SOS > Trepćuće > Stroboskop > Isključeno

8. Voltmetar / tajmer Ugrađeni voltmetar očitava napon akumulatora vozila radi poboljšanja dijagnostike i rješavanja problema. Voltmetar će automatski očitati napon bilo kojeg akumulatora (ili baterijskog sustava) kada se priključe stezaljke baterije, čak i ako je uređaj isključen. Voltmetar će očitati napon između ~3V i ~30V. Ako priključeni akumulator ima napon manji od 3V, neće se ništa prikazati. Ako je napon tako nizak, vjerojatno je neki potrošač kao što su svjetla ili klimatizacijski uređaj priključen na akumulator te ih treba isključiti prije pokušavanja pokretanja vozila. Dok je jedinica uključena i nakon otkrivanja baterije, voltmetar će prikazati odbrojavanje vremenskog ograničenja od 60 sekundi.

9.) LED lampica punjenja svijetli bijelo kada se uređaj puni. Ako je uređaj pravilno spojen sa akumulatorom, punjač/starter GB251 automatski će detektirati akumulator i prijeći u način za punjenje (LED lampica svijetliti će bijelo kada je aktivna funkcija ručnog premoštavanja).

10.) Ručno premoštavanje omogućava se tako da se pritisne gumb i drži pritisnutim tri (3) sekunde. **UPOZORENJE: Onemogućava sigurnosnu zaštitu i ručno prisilno uključuje punjenje. Samo za upotrebu kada je napon baterije preznak da bi se mogao otkriti.**

Rješavanje problema

	Greška	Uzrok/Rješenje
	LED lampica greške: Trajno crveno	Obrnuti polaritet/Priključite akumulator obrnuto.
	LED lampica greške: Bljeskajuće crveno w/kabeli pravilno priključeni	Kratki spoj otkriven na baterijskim klemama. / Neka stručnjak pregleda bateriju.
⚠	Jedno (1) treperenje	Kratki spoj otkriven na baterijskim klemama. / Ukloniti sva opterećenja, ponovo spojiti kleme s baterijom.
	Dvostruki (2) blic	Visoki napon otkriven na stezaljkama (GB251 je povezan na naponski sistem veći od 24V).
	Četverostruki (4) blic	Pogreška vremenskog ograničenja punjenja (tj. GB251 se predugo naplaćuje)
	Petostruki (5) blic	XGC OUT preko struje (tj. Više od 15 ampera se crta iz XGC OUT porta)
	Šestostruki (6) Bljesak	Kvar BMS (sistem upravljanja baterijama). (Ponovo napajanje GB251 "isključeno" i "uključeno" za uklanjanje. Ako se problem nastavi, obratite se korisničkoj podršci)
	LED visoke toplote: stalno svijetli	Jedinica je potpuno funkcionalna, ali se približava gornjem pragu temperature. / pričekajte da se rashladi.
!+	LED visoke toplote: Trepće	Jedinica je prevruća za pokretanje, samo je svjetiljka dostupna u ovom stanju. / Ostavite jedinicu da se ohladi.
	LED visoke toplote: Bljeska a zatim se sve LED-lampice isključuju	Jedinica ima previsoku temperaturu za pokretanje preskakanjem ili korištenje drugih funkcija. / pričekajte da se rashladi jedinica i dovedite je u hladnije okruženje.

❄	Hladni LED: stalno svijetli	Jedinica je potpuno funkcionalna, ali se približava donjem pragu temperature. / pričekajte da se jedinica zagrije.
	Hladni LED: Trepće	Jedinica je prehladna za pokretanje, samo je svjetiljka dostupna u ovom stanju / Omogućite jedinici da se zagrije.
	Hladni LED: Bljeska a zatim se sve LED-lampice isključuju	Jedinica ima prenisku temperaturu za pokretanje preskakanjem ili korištenje drugih funkcija. / pričekajte da se jedinica zagrije i dovedite je u toplije okruženje.
	Svjetlo punjenja se ne uključuje w/kabeli pravilno priključeni	Priključeni akumulator ima napon manji od 3 volta/Isključite sve potrošače energije i pokušajte ponovo ili aktivirajte ručno premoštavanje.

Tehničke specifikacije

Unutarnja baterija: 137Wh Litij-ion	12V (ulaz): 12V/5A (14V Maks)
Vršna nazivna struja: 3000A	12V (izlaz): 12V, 15V Maks
Radna temperatura: -20 °C to +50 °C	Zaštitno kućište: IP65 (w/ulazi zatvoreni)
Temperatura punjenja: 0 °C to +40 °C	Hlađenje: Prirodna konvekcija
Temperatura skladištenja: -20 °C to +50 °C (prosj. temp.)	Dimenzije (D x Š x V): 31,75 x 20,83 x 3,39 Centimetri
USB (izlaz): 5V, 2.1A	Težina: 6,19 kilograma (13,65 lb)

NOCO ograničena garancija od jedne (1) godine

Firma NOCO garantira da će ovaj proizvod ("proizvod") biti bez nedostataka u materijalu i izradi jednu (1) godinu od datuma kupovine ("Garantni period"). Nedostatke koji se prijave tokom garantnog perioda firma NOCO će, prema vlastitoj procjeni i na temelju analize svoje tehničke podrške, popraviti ili će zamijeniti neispravan proizvod. Zamjenski dijelovi ili proizvodi biti će novi ili popravljeni i u ispravnom stanju, iste funkcionalnost i radnih svojstava kao originalni dio te će za njih vrijediti garancija za preostali garantni period.

ODGOVORNOST FIRME NOCO U SKLADU SA OVOM GARANCIJOM IZRIČITO JE OGRANIČENA NA ZAMJENU ILI POPRAVAK. U MJERI U KOJOJ TO ZAKON DOZVOLJAVA, FIRMA NOCO NEĆE ODGOVARATI KUPCU PROIZVODA ILI TREĆOJ STRANI ZA NIJEDNU POSEBNU, INDIRECTNU, POSLJEDIČNU ILI KAZNENU ŠTETU, UKLJUČUJUĆI IZMEĐU OSTALOG GUBITAK PROFITA, OŠTEĆENJE IMOVINE ILI OSOBNE POVREDE POVEZANE NA NEKI NAČIN SA PROIZVODOM, BEZ OBZIRA NA NAČIN NJIHOVOG NASTANKA, ČAK I AKO JE FIRMA NOCO IMALA SAZNAVANJE O MOGUĆNOSTI NASTANKA TAKVE ŠTETE. GARANCIJA IZ OVOG DOKUMENTA ZAMJENJUJE SVE OŠTALE GARANCIJE, IZRIČITE, IMPLICIRANE, ZAKONSKE ILI DRUGE, UKLJUČUJUĆI IZMEĐU OSTALOG IMPLICIRANE GARANCIJE O TRŽIŠNOM POTENCIJALU I POGODNOSTI ZA ODREĐENU SVRHU TE ONE KOJE NASTANU TOKOM POSLOVANJA, KORIŠTENJA ILI TRGOVANJA. U SLUČAJU DA NEKI ZAKON IZRIČE GARANCIJU, NA UVJETE ILI OBAVEZE KOJI SE NE MOGU IZUZETI ILI PROMIJENITI, OVAJ ČLANAK ĆE SE PRIMIJENITI U NAJVEĆOJ MOGUĆOJ MJERI KOJU DOZVOLJAVA TAKAV ZAKON.

Ova ograničena garancija vrijedi samo za izvornog kupca koji je proizvod kupio od firme NOCO ili od odobrenog prodavača ili distributera i nije prenosiva na treće strane. Kako bi pokrenuo potraživanje na temelju garancije, kupac mora: (1) zatražiti i dobiti broj odobrenja za povrat robe i informaciju o lokaciji za povrat od službe za podršku firme NOCO slanjem e-pošte support@no.co ili pozivom na broj 1.800.456.6626; i (2) poslati proizvod sa brojem odobrenja za povrat robe, računom ili naknadom za garanciju (koja je obavezna samo ako se ne šalje račun) u iznosu od 45% od preporučene prodajne cijene neispravnog proizvoda (odobrenje za povrat robe će uključivati odgovarajući iznos naknade za garanciju) na lokaciju za povrat. NEMOJTE SLATI PROIZVOD PRIJE NEGO ŠTO DOBIJETE ODOBRENJE ZA POVRAT ROBE OD SLUŽBE ZA PODRŠKU FIRME NOCO.

IZVORNI KUPAC ODGOVORAN JE (I MORA UNAPRIJED PLATITI) SVE TROŠKOVE PAKIRANJA I SLANJA PROIZVODA RADI GARANTNOG SERVISA.

BEZ OBZIRA NA NAVEDENO, OVA OGRANIČENA GARANCIJA SE PONIŠTAVA I NE VRIJEDI ZA PROIZVODE: (a) koji se ne koriste za predviđenu namjenu i na predviđeni način, kojima se nepravilno ili nemarno rukuje, koji pretrpe nezgodu, koji se nepravilno skladište ili koji su izloženi ekstremnom naponu, temperaturi, udarcima ili vibracijama koji prelaze preporuke firme NOCO za sigurnu i efikasnu upotrebu; (b) koji se nepravilno instaliraju, koriste ili održavaju; (c) koji se modificiraju bez izričitog pismenog odobrenja firme NOCO; (d) koje rastave, izmijene ili poprave osobe koje nije odobrila firma NOCO; (e) čiji kvar se prijavi nakon isteka garantnog perioda.

OVA OGRANIČENA GARANCIJA NE POKRIVA: (1) uobičajeno habanje; (2) kozmetička oštećenja koja ne utječu na funkcionalnost; ili (3) proizvode kod kojih nedostaje NOCO serijski broj, kod kojih je on promijenjen ili nije vidljiv.

USLOVI JEDNOSTAVNE GARANCIJE

Ovi uslovi primjenjuju se samo na proizvod za vrijeme garantnog perioda. Jednostavna garancija prestaje da važi istekom perioda računajući od datuma kupovine (ili datuma serijskog broja, ako nema dokaza o kupovini) ili u slučajevima navedenim iznad u dokumentu. Molimo Vas da vratite proizvod uz odgovarajuću dokumentaciju.

Uz račun:

1 godina: BEZ naknade. Uz dokaz o kupovini, garantni period počinje teći od datuma kupovine.

BEZ računa:

1 godina: BEZ naknade. Bez dokaza o kupovini, garantni period počinje teći od datuma serijskog broja.

Svoj NOCO proizvod možete online registrirati na: no.co/register. Ako imate pitanja o garanciji ili proizvodu, kontaktirajte službu za podršku firme NOCO e-poštom na navedenu adresu ili pozivom na navedeni broj telefona ili poštom na: NOCO, 30339 Diamond Parkway, #102, Glenwillow, OH 44139 USA.

NOCO BOOST[®] MAX[™] GB251+



OPASNOST

Korisnički vodič i jamstvo



S RAZUMIJEVANJEM PROČITAJTE SVE SIGURNOSNE INFORMACIJE PRIJE KORIŠTENJA PROIZVODA. Ako se ne pridržavate ovih sigurnosnih uputa, može doći do ELEKTRIČNOG UDARA, EKSPLOZIJE, POŽARA, koji mogu uzrokovati TEŠKE OZLJEDE, SMRT i MATERIJALNU ŠTETU.



Električni udar. Proizvod je električni uređaj koji može dovesti do električnog udara i uzrokovati ozbiljne ozljede. Nemojte rezati kabele napajanja. Nemojte uranjati u vodu ili močiti.



Eksplוזija. Akumulatori bez nadzora, nekompatibilni ili oštećeni akumulatori mogu eksplodirati ako ih takve koristite u uređaju. Ne ostavljajte uređaj u radu bez nadzora. Ne pokušavajte pokretanje iz vanjskog izvora ako je akumulator oštećen ili smrznut. Uređaj koristite samo s akumulatorima preporučenog napona. Uređajem rukujte u području s dobrom ventilacijom.



Požar. Proizvod je električni uređaj koji emitira toplinu i može uzrokovati opekline. Ne pokrivajte uređaj. Nemojte pušiti ili koristiti izvor električnih iskri ili vatre za vrijeme rukovanja uređajem. Držite uređaj dalje od zapaljivih materijala.



Ozljede oka. Nosite zaštitu za oči prilikom rukovanja uređajem. Akumulatori mogu eksplodirati i stvoriti leteće ostatke. Kiselina iz akumulatora može uzrokovati nadraženosť očiju i kože. Ako dođe do onečišćenja očiju ili kože, isperite zahvaćeno područje pod mlazom vode i obratite se službi za stanja s trovanjem.



Eksplוזivni plinovi. Rad u blizini olovne akumulatorske baterije je opasan. Akumulatori stvaraju eksplozivne plinove za vrijeme normalnog rada akumulatora. Radi smanjenja rizika od eksplozije akumulatora, pridržavajte se svih uputa o sigurnosti i uputa koje je objavio proizvođač akumulatora i proizvođač opreme koju namjeravate koristiti u blizini akumulatora. Pregledajte oznake za oprez na ovim proizvodima i motoru.

Hrvatski

Dodatne informacije potražite
na:

www.no.co/support

Važna upozorenja o sigurnosti

OPREZ

Ručni način rada onesposobljuje sve sigurnosne mjere. Kada se ne koristi pravilno i/ili u suprotnosti s našom preporučenom uporabom, može doći do ozljede ili smrti, a vaše jamstvo postat će ništavno. Rizik od vatre, eksplozije i opekotina. Nemojte rastavljati, gnječiti, grijati iznad 60 °C (140 °F) ili paliti. Uređaj je namijenjen za privremenu uporabu na otvorenom prostoru i trebalo bi poduzeti razumne mjere kod korištenja ovog uređaja u vlažnim uvjetima.

UPOZORENJE

Nemojte pretjerano napuniti unutarnji akumulator. Pogledajte upute za uporabu. Nemojte pušiti, paliti šibice ili izazvati iskru u blizini jedinice napajanja. Unutarnji akumulator puniti samo u dobro ventiliranom području kada se ne koristi.

OPREZ

Rizik od tjelesnih ozljeda. Proizvod nemojte koristiti ako su kabel za napajanje ili kabeli akumulatora na bilo koji način oštećeni. Ovaj uređaj nije namijenjen za uporabu u komercijalnim mehaničarskim radionicama. Uređaj treba čuvati u zatvorenom prostoru kad se ne koristi. Uređaj se ne smije držati ili ostavljati na otvorenom kad se ne koristi.

Propis 65. Priključci i kontakti akumulatora te s njima povezana oprema sadrže kemijska sredstva, uključujući olovo. Za ove je materijale u saveznoj državi Kaliforniji utvrđeno da izazivaju rak, oštećenja pri rodu i druga oštećenja reproduktivnih organa. **Mjere osobne zaštite.** Uređaj koristite samo u predviđenu svrhu. Netko mora biti u doseg vašeg glasa ili dovoljno blizu kako bi vam priskočio u pomoć u hitnom slučaju. U blizini imajte čistu vodu i sapun, za slučaj kontaminacije kiselinom iz akumulatora. Nosite potpunu zaštitu za oči i zaštitnu odjeću dok radite u blizini akumulatora. Operite ruke nakon rukovanja akumulatorima i s njima povezanim materijalima. Ne dirajte i ne nosite metalne predmete pri radu s akumulatorima, to se odnosi na alate, satove i nakit. Ako na akumulator padne metalni predmet, može doći do iskrenja ili kratkog spoja i posljedično do električnog udara, požara, eksplozije, koji mogu uzrokovati ozljede, smrt i materijalnu štetu. **Malodobne osobe.** Ako je „kupac“ predvidio da će uređaj koristiti malodobne osobe, odrasla osoba u svojstvu kupca obvezuje se da će sve malodobne osobe prije upotrebe upoznati s detaljnim uputama i upozorenjima. U protivnom će „Kupac“ biti isključivo odgovoran za obeštećenje tvrtke NOCO zbog neželjene upotrebe ili nepravilne upotrebe od strane malodobnih osoba. **Opasnost od gušenja.** Dodatna oprema opasna je za djecu zbog mogućeg gušenja. Ne ostavljajte djecu bez nadzora s uređajem ili dodatnom opremom. Ovaj proizvod nije igračka. **Rukovanje.** Pažljivo rukujte proizvodom. U slučaju udarca, uređaj se može oštetiti. Nemojte koristiti oštećeni uređaj, što bez ograničenja uključuje napukline na kućištu i oštećenje kabela. Nemojte

upotrebljavati proizvod s oštećenim kabelom. Vлага i tekućine mogu oštetiti uređaj. Ne upotrebljavajte uređaj ili njegove električne komponente blizu tekućina. Uređaj pohranite i koristite na suhim mjestima. Nemojte upotrebljavati uređaj ako se smoči. Ako se uređaj smoči za vrijeme rada, odvojite ga od akumulatora i odmah prekinite njegovu upotrebu. Uređaj nemojte odvajati od utičnice tako da povlačite kabel. Izmjene. Ne pokušavajte izmijeniti, preinačiti ili popraviti bilo koji dio uređaja. Rastavljanjem uređaja može doći do ozljeda, smrti i materijalne štete. Ako se uređaj ošteti, pokvari ili dođe u kontakt s tekućinom, prekinite njegovu upotrebu i obratite se tvrtci NOCO. Preinake na uređaju dovode do gubitka pravo na jamstvo. **Dodatna oprema.** Ovaj uređaj odobren je za upotrebu samo s dodatnom opremom tvrtke NOCO. NOCO ne odgovara za sigurnost korisnika i oštećenja pri korištenju dodatne opreme koju nije odobrila tvrtka NOCO. **Mjesto.** Onemogućite dodir kiseline iz akumulatora s uređajem. Ne upotrebljavajte uređaj u zatvorenom području ili u području s ograničenom ventilacijom. Ne stavljajte akumulator na gornju stranu proizvoda. Kabele razmjestite tako da izbjegnute nehotična oštećenja djelovanjem pokretnih dijelova vozila (uključujući haube i vrata), pokretnih dijelova motora (uključujući lopatice ventilatora, remene i remenice) ili tako da ne predstavljaju opasnost za nezgode s mogućim ozljedama i smrtnim posljedicama. **Radna temperatura.** Uređaj je projektiran za rad u okolini s temperaturom između -20 °C i 50 °C. Nemojte ga koristiti izvan ovog raspona. Ne pokrećite iz vanjskog akumulator koji je smrznut. Odmah prekinite s upotrebom uređaja ako se akumulator prekomjerno zagrije. **Pohrana.** Uređaj nemojte koristiti ili skladištiti u područjima s visokom koncentracijom prašine ili drugih čestica u zraku. Uređaj pohranite na ravnu površinu na kojoj će biti siguran od pada. Proizvod pohranite na suhom mjestu. Temperatura skladištenja iznosi -20 °C - 50 °C (Prosječna temperatura od 0 °C do + 25 °C). Ni u kojem slučaju temperatura ne smije biti veća od 80 °C. **Kompatibilnost.** Proizvod je kompatibilan isključivo s 12-voltnim olovnim akumulatorskim sustavima. Nemojte pokušavati koristiti proizvod s drugim vrstama akumulatora. Startanje akumulatora koji se temelje na drugim kemijskim spojevima može rezultirati ozljedom, smrću ili oštećenjem imovine. Prije nego što pokušate pokrenuti akumulator obratite se proizvođaču. Nemojte startati akumulator ako niste sigurni na kojem se kemijskom spoju temelji ili kakav ima napon. **Akumulator.** Litij-ionski akumulator ugrađen u uređaj smije zamijeniti samo tvrtka NOCO, a mora se reciklirati i zbrinjavati odvojeno od kućanskog otpada. Nemojte sami vršiti zamjenu akumulatora i ne rukujte oštećenim akumulatorima ili onima iz kojih istječe tekućina. Akumulator nemojte bacati u kućanski otpad. Bacanje akumulatora u kućanski otpad je protuzakonito prema državnim i saveznim zakonima i propisima o zaštiti ljudskog okoliša. Iskorištene akumulatore odnesite u lokalni centar za recikliranje akumulatora. Ako je akumulator uređaja prekomjerno topao, ako širi neugodan miris, ako je prerezan ili izgleda neuobičajeno, odmah prekinite s upotrebom i obratite se tvrtci NOCO. **Punjenje akumulatora.** Proizvod napunite uključenim automobilskim punjačem napona od 12 VDC ili zidnim punjačem XGC4. Budite oprezni kod korištenja generičkih adaptera ili adaptera trećih strana jer mogu predstavljati ozbiljan električni rizik od tjelesne ozljede, kao i oštećenja uređaja i imovine. Korištenje oštećenih kabela ili punjača ili punjenje kad je prisutna vlaga može rezultirati strujnim udarom. NOCO nije odgovoran za sigurnost korisnika, oštećenje uređaja ili imovine kod korištenja dodatne opreme ili potrepština koje nije odobrila tvrtka NOCO. Kada koristite zidni

punjač XGC4, provjerite je li utikač do kraja umetnut u adapter prije nego ga priključite na strujnu utičnicu. Ovaj adapter napajanja može se zagrijati tijekom normalne uporabe, a duži kontakt s kožom može izazvati tjelesnu ozljedu. Uvijek tijekom upotrebe osigurajte dovoljnu ventilaciju oko adaptera napajanja. Da biste osigurali maksimalni životni vijek akumulatora, ne puniti proizvod duže od tjedna jer pretjerano punjenje može skratiti životni vijek akumulatora. Kroz vrijeme proizvod koji se ne koristi će se isprazniti i potrebno ga je ponovno napuniti prije uporabe. Odspojite proizvod iz izvora napajanja kad ga ne koristite. Proizvod koristite samo za njegovu **Medicinski uređaji**. Uređaj može odašiljati elektromagnetske valove. Uređaj sadrži magnetske dijelove koji mogu ometati rad srčanih stimulatora, defibrilatora i drugih medicinskih uređaja. Ta elektromagnetska polja mogu ometati rad srčanih stimulatora i drugih medicinskih uređaja. Ako imate ugrađen srčani stimulator ili neki drugi medicinski uređaj, prije upotrebe posavjetujte se s liječnikom. Ako posumnjate da uređaj ometa rad medicinskog uređaja, odmah prestanite s upotrebom i potražite savjet liječnika. **Medicinska stanja**. Ako imate određeno medicinsko stanje na koje mislite da bi uređaj mogao negativno utjecati, što bez ograničenja uključuje napadaje, gubitke svijesti, napetost u očima ili glavobolje, potražite savjet liječnika prije upotrebe uređaja. Upotreba ugrađene svjetiljke velike snage predstavlja opasnost ako ste osjetljivi na svjetlo. Korištenje svjetla u načinu rada sinkronizacijske bljeskalice može uzrokovati napadaje u osoba koje boluju od fotosenzitivne epilepsije, stanja koje može dovesti do teških posljedica ili čak smrti. **Svjetlo**. Gledajte izravno u svjetiljku može rezultirati trajnim oštećenjem očiju. Uređaj je opremljen LED svjetlom velike snage koje je unaprijed fokusirano i odašilje snažnu zraku svjetlosti pri najvećoj postavci. **Čišćenje**. Isključite uređaj prije održavanja ili čišćenja. Odmah očistite i osušite uređaj ako dođe u dodir s tekućinom ili drugim izvorom onečišćenja. Koristite meku krpu bez dlačica (s mikrovlaknima). Pazite da u otvore ne uđe vlaga. **Eksplozivna okruženja**. Poštujte sve znakove i upute. Ne koristite uređaj u potencijalno eksplozivnoj okolini, što se odnosi i na područja za dotakanje goriva i područja u kojima se nalaze kemikalije ili čestice kao što su zrnca, prašina ili metalni prah. **Aktivnosti s teškim posljedicama**. Uređaj nije predviđen za upotrebu u uvjetima u kojima njegov kvar može dovesti do ozljeda, smrtnih posljedica ili ozbiljnog onečišćenja okoliša. **Radiofrekvencijske smetnje**. Uređaj je projektiran, ispitan i proizveden tako da zadovoljava propise u vezi radiofrekvencijskih emisija. Takve emisije iz uređaja mogu negativno utjecati na rad druge elektroničke opreme i dovesti do njena kvara. **Broj modela: GB251** Uređaj ispunjava zahtjeve članka 15. FCC-ovih propisa. Rad je podložan sljedećim dvama uvjetima: (1) ovaj uređaj ne smije izazvati štetne smetnje i (2) ovaj uređaj mora prihvatiti sve primljene smetnje, uključujući i smetnje koje mogu dovesti do neželjenog rada. **NAPOMENA**: Ovaj uređaj je ispitan i utvrđeno je da udovoljava ograničenjima koja vrijede za digitalne uređaje klase A, u skladu s člankom 15 FCC propisa. Ova ograničenja predviđena su za pružanje razumne zaštite od štetnih smetnji prilikom korištenja opreme u komercijalnoj okolini. Ovaj uređaj stvara, koristi i može zračiti energiju na radijskim frekvencijama i ako se ne postavi i ne koristi u skladu s uputama za korištenje, može izazvati štetne smetnje u radijskim komunikacijama. Rad uređaja u stambenim područjima vjerojatno će uzrokovati štetne smetnje pri čemu će korisnik morati ukloniti te smetnje o svom trošku.

Upute za uporabu

Korak 1: Punjenje uređaja GB251.

GB251 isporučuje se djelomično napunjen i treba ga napuniti do kraja prije uporabe. GB251 spojite na 12 V ulaz koristeći uključeni 12 VDC automobilski punjač ili zidni punjač XGC4. Vrijeme za ponovno punjenje modela GB251 razlikovat će se ovisno o razini ispražnjenosti i korištenom izvoru napajanja. Stvarni rezultati mogu se razlikovati ovisno o stanju akumulatora i razini ispražnjenosti.

Prilikom punjenja, razina napunjenosti akumulatora označena je LED indikatorom napunjenosti. LED indikatori će sporo treptati između uključenog i isključenog stanja pa će neprekidno svijetliti dok se ne uključe sva četiri LED indikatora punjenja. Kada je akumulator do kraja napunjen, zeleni 100% LED indikator će svijetliti bez prekida, a LED indikatori napunjenosti 25%, 50% i 75% će se isključiti. S vremena na vrijeme, zeleni LED indikatora koji ukazuje na 100% napunjenosti će se uključivati i isključivati, tako ukazujući da je u tijeku servisno punjenje.

Korak 2: Priključite na akumulator.

Pažljivo pročitajte i nastojte shvatiti vlasnički priručnik vozila kako biste saznali mjere opreza i preporučene metode startanja vozila. Svakako u vlasničkom priručniku akumulatora provjerite napon i vrstu akumulatora prije korištenja ovog proizvoda. GB251 služi isključivo za startanje 24-voltnih olovnih akumulatorskih sustava. Prije priključivanja na akumulator, provjerite da se radi o 24-voltnom olovnom akumulatorskom sustavu. GB251 nije prikladan za bilo koje druge vrste akumulatora. Identificirajte ispravan polaritet priključaka akumulatora na akumulatoru. Pozitivan priključak akumulatora obično je označen ovim slovima ili simbolima (POS,P,+). Negativan priključak akumulatora obično je označen ovim slovima ili simbolima (NEG,P,-). Nemojte ništa priključivati na rasplinjač, vodove goriva ili dijelove od tankih limova. Upute u nastavku su za sustav s negativnim uzemljenjem (najuobičajeniji). Ako vaše vozilo ima sustav s pozitivnim uzemljenjem (vrlo neobično), u priručniku vozila potražite upute za pravilno startanje.

Vrijeme punjenja: Brzina punjenja:

5hr	56W
-----	-----

Razina unutarnje baterije



25% 50% 75% 100%

1.) Pozitivnu (crvenu) stezaljku akumulatora priključite na pozitivan (POS, P, +) priključak akumulatora, a negativnu (crnu) stezaljku akumulatora na negativni priključak (NEG, N, -) akumulatora ili šasiju vozila.

Korak 3: **Pokretanje iz vanjskog izvora.**

- 1.)** Isključite sve trošila u vozilu (prednja svjetla, radio, klimatizaciju, itd.) prije nego pokušajte pokrenuti vozilo iz vanjskog izvora.
- 2.)** Pritisnite gumb napajanja da biste započeli startanje i sva LED svjetla će jednom trepnuti. Ako ste uređaj ispravno priključili na akumulator, zasvijetlit će se bijelo LED svjetlo pokretanja, nakon čega će se zasvijetliti LED svjetla punjenja akumulatora. Čim se otkrije akumulator, započet će odbrojavanje od 60 sekundi.
- 3.)** Pokušajte pokrenuti vozilo. Većina vozila odmah će se pokrenuti. Za neka vozila potrebno je spojiti GB251 do 30 sekundi prije pokretanja. Ako se vozilo ne pokrene odmah, pričekajte 20 do 30 sekundi pa pokušajte ponovno. Ne pokrećite iz vanjskog izvora više od pet (5) puta uzastopno u razdoblju od petnaest (15) minuta. Ostavite GB251 petnaest (15) minuta u mirovanju, a zatim ponovno pokušajte pokrenuti vozilo iz vanjskog izvora.
- 4.)** Kada uspješno pokrenete vozilo, odvojite stezaljke akumulatora i uklonite GB251.

Istek vremena od 60 sekundi.

Istek vremena od 60 sekundi startat će odmah po otkrivanju akumulatora. Nakon isteka 60 sekundi funkcija startanja bit će onemogućena. Isključit će se LED svjetlo Boost, a LED svjetlo napunjenosti unutarnjeg akumulatora pokazat će trenutnu razinu napunjenosti jedinice. Da biste ponovno postavili funkciju startanja, pritisnite gumb napajanja da biste isključili jedinicu. Ponovno pritisnite gumb napajanja da biste uključili jedinicu i ponovno pokrenuli funkciju startanja.

OPREZ.

ISTEK VREMENA OD 60 SEKUNDI ONESPOSOBLJEN JE KADA KORISTITE NAČIN RUČNOG UPRAVLJANJA. STRUJNO NAPAJANJE ĆE SE NASTAVITI DOK JE AKTIVAN NAČIN RUČNOG UPRAVLJANJA. DA BISTE MAKSIMIZIRALI BROJ STARTANJA, PREPORUČUJE SE DA

ISKLUČITE BOOST JEDINICU (STARTER) ODMAH NAKON USPJEŠNOG STARTANJA VOZILA.

Baterije niskog napona i ručno premošćivanje

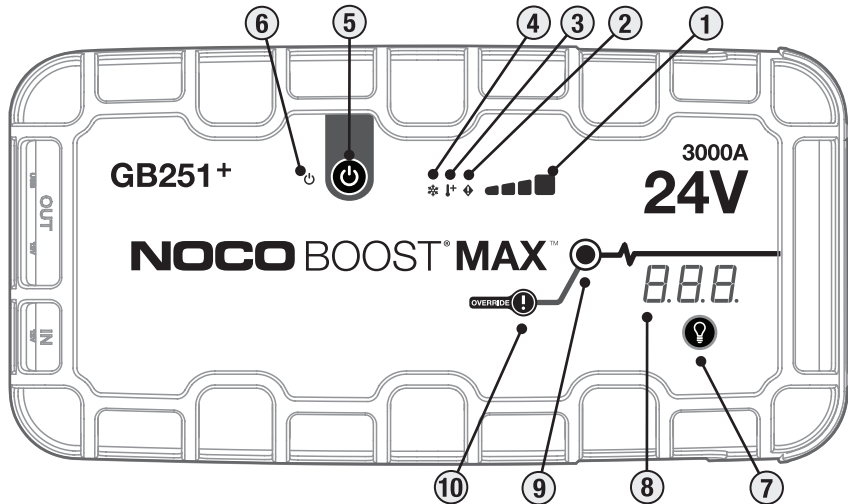
GB251 dizajniran je za startanje 24-voltnih olovnih akumulatorskih sustava s naponom sniženim do 2 V. Ako je napon vašeg akumulatora ispod 2 V, LED lampica pojačanja bit će „isključena“. To je pokazatelj da GB251 ne može otkriti akumulator. Ako trebate pokrenuti akumulator s naponom manjim od 2 V, starter je opremljen ručnim premošćenjem koje dozvoljava prisilno „uključenje“ funkcije startanja. Ako je akumulator ispod 2 V, LED lampica pojačanja bit će isključena i mjerač napona neće prikazivati napon.

OPREZ.

OVAJ NAČIN RADA KORISTITE UZ IZUZETAN OPREZ. OVAJ NAČIN RADA NAMIJENJEN JE ISKLJUČIVO ZA 24-VOLTNE OLOVNE AKUMULATORSKE SUSTAVE. ONEMOGUĆENE SU ZNAČAJKE ZAŠTITE OD ISKRI I ZAMJENE POLARITETA. OBRATITE POSEBNU POZORNOST NA POLARITET AKUMULATORA PRIJE KORIŠTENJA OVOG NAČINA RADA. NEMOJTE DOZVOLITI DA SE POZITIVNA I NEGATIVNA SPONKA BATERIJE DODIRNU ILI IH PRIKLJUČITI JEDNU NA DRUGU JER ĆE NASTATI ISKRE. OVAJ NAČIN RADA KORISTI VRLO JAKU STRUJU (DO 3000 AMPERA) KOJA MOŽE PROUZROKOVATI ISKRENJE I VISOKU TEMPERATURU AKO SE NE KORISTI ISPRAVNO. AKO NISTE SIGURNI U VEZI S KORIŠTENJEM OVOG NAČINA RADA, NEMOJTE POKUŠAVATI I POTRAŽITE PROFESIONALNU POMOĆ.

Napajanje USB i 12 V uređaja.

GB251 ima (2) USB izlazna priključka i 12 V izlazni priključak (12 V AUX/ priključak za upaljač). Priključite bilo koji standardni USB uređaj ili 12 V uređaj (do 15 A) i uključite GB251 da biste počeli napajati svoje uređaje.



Sučelje

1.) Razina unutarnje baterije označava napunjenost unutarnje baterije.

2.) LED greške svjetli Svijetli crveno ako se otkrije obrnuti polaritet ili trepće "uključeno" i "isključeno" u različitim sekvencama (od 1 do 6 treptaja) kako bi se prikazali uvjeti pogreške.

3.) LED indikator visoke temperature Svijetli crveno; uređaj je u punom radnom stanju, ali približava se gornjoj graničnoj temperaturi. Trepćuće crveno; Jedinica je prevruća za pokretanje, u ovom je stanju dostupna samo svjetiljka.

4.) LED indikator niske temperature Svijetli plavo; uređaj je u punom radnom stanju, ali približava se donjoj graničnoj temperaturi. Trepćuća plava; Jedinica je prehladna za pokretanje, samo je svjetiljka dostupna u ovom stanju.

5.) Pritisnite gumb napajanja za uključivanje i isključivanje uređaja.

6.) LED napajanja svjetli bijelo kad je uređaj uključen. Svijetli će narančasto nakon odbrojavanja vremenskog ograničenja od 60 sekundi sve dok se stezaljke ne uklone iz akumulatora ili dok se GB251 ponovno uključi i isključi.



7.) Gumb načina rada svjetla služi za odabir jednog od 7 načina rada za LED svjetlo: 100% > 50% > 10% > SOS > treptanje > sinkronizacijska bljeskalica > isključeno

8. Voltmetar / odbrojavanje vremena Ugrađeni voltmetar prikazuje napon akumulatora vozila i omogućuje naprednu dijagnostiku i rješavanje problema. Voltmetar automatski prikazuje napon bilo kojeg akumulatora (ili akumulatorskog sustava) kada su spojene stezaljke akumulatora, čak i ako je uređaj isključen. Voltmetar prikazuje napon između ~3 V i ~30 V. Ako spojeni akumulator ima napon manji od 3 V, ništa se neće prikazati. Ako je napon toliko nizak, akumulator je vjerojatno opterećen trošilima poput prednjih svjetala ili AC ventilatora, koja biste trebali isključiti prije nego pokušate pokrenuti vozilo. Dok je jedinica uključena i nakon otkrivanja baterije, voltmetar će prikazati odbrojavanje vremenskog ograničenja od 60 sekundi.

9.) LED brzog punjenja svjetli bijelo kada je aktivna funkcija brzog punjenja. Ako uređaj ispravno spojite s akumulatorom, GB251 će automatski prepoznati akumulator i ući u način rada brzog punjenja (LED će treptati bijelo kada je aktivna funkcija ručnog premošćivanja).

10.) Gumb za ručno premošćivanje – za aktiviranje, pritisnite ga i zadržite tri (3) sekunde. **UPOZORENJE: Onemogućuje sigurnosnu zaštitu i ručno prisilno uključuje funkciju brzog punjenja. Samo za uporabu kada je napon baterije prenizak da bi se mogao otkriti.**

Rješavanje problema

	Greška	Razlog/rješenje
	LED greške Stalno svijetli crveno	Zamijenjeni polariteti/Zamijenite spojeve akumulatora.
	LED greške: Trepće crveno kada su kabeli pravilno spojeni	Otkriven kratki spoj na sponkama akumulatora. / Neka baterija provjeri stručnjak.
	Jedan (1) treptaj	Otkriven kratki spoj na sponkama akumulatora. / Uklonite sve uređaje , ponovno priključite sponke na akumulator.
	Dvostruki (2) bljeskalica	Visoki napon otkriven na stezaljkama (GB251 spojen je na naponski sustav veći od 24V).
	Četverostruki (4) bljeskalica	Pogreška vremenskog ograničenja punjenja (tj. GB251 predugo se naplaćuje skupno)
	Petostruki (5) bljeskalica	XGC OUT preko struje (tj. Više od 15 ampera se crta iz porta XGC OUT)
	Šestostruki (6) Bljesak	Kvar BMS-a (sustava upravljanja baterijama). (Ponovo napajanje GB251 "isključeno" i "uključeno" za uklanjanje. Ako se problem nastavi, obratite se korisničkoj podršci)
	LED visoke temperature: Svijetli stalno	Uređaj je u punom radnom stanju, ali približava se gornjoj graničnoj temperaturi. / Pustite uređaj da se ohladi.
	LED visoke temperature: Trepće	Jedinica je prevruća za pokretanje, u ovom je stanju dostupna samo svjetiljka. / Ostavite jedinicu da se ohladi.
	LED visoke temperature: Trepće, zatim se svi LED indikatori isključe	Temperatura uređaja je previsoka za pokretanje iz vanjskog izvora ili korištenje drugih funkcija. / Pričekajte da se uređaj ohladi i premjestite ga u hladniju okolinu.

❄️	LED preniske temperature: Svjetli stalno	Uređaj je u punom radnom stanju, ali približava se donjoj graničnoj temperaturi. / Omogućite zagrijavanje uređaja.
	LED preniske temperature: Trepće	Uređaj je prehladan za pokretanje, u ovom je stanju dostupna samo svjetiljka / Dopustite da se jedinica zagrije.
	LED preniske temperature: Trepće, zatim se svi LED indikatori isključe	Temperatura uređaja je preniska za pokretanje iz vanjskog izvora ili korištenje drugih funkcija. / Pričekajte da se uređaj zagrije i premjestite ga u topliju okolinu.
	Svjetlo brzog punjenja ne uključuje se kada su kabeli pravilno spojeni	Spojeni akumulator ima napon manji od 3 V/Odvojite sva trošila i pokušajte ponovno ili upotrijebite način rada ručnog premošćivanja.

Tehnički podaci

Unutarnji akumulator: 137Wh Litij-ionska	12V (ulaz): 12V/5A (14V Maks)
Vršna nazivna struja: 3000A	12V (izlaz): 12V, 15V Maks
Radna temperatura: -20 °C do +50 °C	Zaštita kućišta: IP65 (sa zatvorenim priključcima)
Temperatura punjenja: 0 °C do +40 °C	Hlađenje: Prirodna konvekcija
Temperatura skladištenja: -20 °C do +50 °C (prosj. temp.)	Mjere (D x Š x V): 31,75 x 20,83 x 3,39 Centimetri
USB (izlaz): 5 V, 2,1 A	Težina: 6,19 kilograma (13,65 lb)

NOCO jednogodišnje (1) ograničeno jamstvo

Tvrtka NOCO ("NOCO") jamči da će ovaj proizvod ("Proizvod") biti bez nedostataka u materijalu i izradi u razdoblju od jedne (1) godine od datuma kupnje ("Jamstveni rok"). Za nedostatke koji se prijave tijekom razdoblja jamstva, NOCO će, prema vlastitom nahođenju i sukladno analizi tehničke podrške NOCO, popraviti ili zamijeniti neispravne Proizvode. Zamjenski dijelovi i proizvodi bit će novi ili rabljeni servisirani, usporedivi u funkciji i svojstvima s originalnim dijelom i za njih će vrijediti jamstvo za ostatak originalnog razdoblja jamstva.

OVDJE UTVRĐENA ODGOVORNOST TVRTKE NOCO IZRIČITO JE OGRANIČENA NA ZAMJENU ILI POPRAVAK. U NAJVEĆOJ MJERI KOJA JE DOPUŠTENA ZAKONOM, NOCO NEĆE BITI ODGOVORAN NIJEDNOM KUPCU PROIZVODA ILI BILO KOJOJ TREĆOJ STRANI NI ZA KOJE POSEBNE, NEIZRAVNE, POSLJEDIČNE ILI PRIMJERNE ŠTETE, UKLJUČUJUĆI, ALI NE OGRANIČAVAJUĆI SE NA, GUBITAK DOBITI, ŠTETE NA NEKRETNINAMA ILI TJELESNE OZLJEDE, VEZANO NA BILO KOJI NAČIN S PROIZVODOM, KAKO SU UZROKOVANI, ČAK I AKO JE NOCO BIO UPOZNAT S MOGUĆNOŠĆU TAKVIH ŠTETA. OVDJE UTVRĐENA JAMSTVA ZAMJENA SU ZA SVA DRUGA JAMSTVA, IZRIČITA, IMPLICIRANA, ZAKONSKA ILI NEKA DRUGA, UKLJUČUJUĆI, BEZ OGRANIČENJA, IMPLICIRANA JAMSTVA O UTRŽIVOSTI I PRIMJERENOSTI ZA ODREĐENU NAMJENU I ONA KOJA PROIZLAZE IZ SAMOG POSLA, KORIŠTENJA ILI TRGOVAČKE PRAKSE, U SLUČAJU DA VAŽEĆI ZAKONI PROPISUJU JAMSTVA, UVJETE ILI OBVEZE KOJE SE NE MOGU IZOSTAVITI ILI MIJENJATI, OVAJ ĆE SE ODLOMAK PRIMJENJIVATI U NAJVEĆOJ MJERI U KOJOJ TO TAKVI ZAKONI DOPUŠTAJU.

Ovo Ograničeno jamstvo izrađeno je i vrijedi isključivo na korist originalnog kupca proizvoda od tvrtke NOCO ili od ovlaštenog prodavača ili distributera tvrtke NOCO i kao takvo se ne može dodjeljivati ili prenositi. Ako kupac želi izdati zahtjev u okviru jamstva, on mora: (1) zatražiti i dobiti autorizacijski broj za povrat robe ("RMA") i podatke o mjestu za povrat ("lokacija za povrat") od službe za pomoć tvrtke NOCO slanjem e-pošte na support@no.co ili telefonskim pozivom na broj 1.800.456.6626 i (2) poslati Proizvod, uključujući RMA broj, račun ili jamstvenu naknadu (naknada se naplaćuje samo ako se ne dostavi račun) od 45% MSRP-a za neispravan proizvod ("Naknada u okviru jamstva") [RMA će uključivati važeću naknadu u okviru jamstva] na povratnu lokaciju. NEMOJTE SLATI PROIZVOD DOK PRVO NE PRIBAVITE RMA BROJ OD SLUŽBE ZA POMOĆ TVRTKE NOCO.

IZVORNI KUPAC SNOSI (I MORA PLATITI UNAPRIJED) SVE TROŠKOVE PAKIRANJA I PRIJEVOZA RADI SLANJA PROIZVODA U OKVIRU

JAMSTVENOG SERVISA.

BEZ OBZIRA NA GORE NAVEDENO, OVO OGRANIČENO JAMSTVO BIT ĆE NIŠTAVNO I NEĆE VRIJEDITI ZA PROIZVODE KOJI: (a) se zlouporabljaju, upotrebljavaju na nepravilan način, podvrgavaju grubom ili nepažljivom rukovanju, su imali nezgodu, su nepropisno pohranjeni ili su radili pod uvjetima ekstremnog napona, temperature, udaraca ili vibracija izvan preporuka tvrtke NOCO za siguran i učinkovit rad; (b) su nepravilno instalirani, korišteni ili održavani; (c) su preinačivani bez izričitog pisanog odobrenja tvrtke NOCO; (d) su rastavljeni, preinačivani ili popravljani od strane bilo koga osim tvrtke NOCO; (e) imaju oštećenja koja su prijavljena nakon razdoblja jamstva.

OGRANIČENO JAMSTVO NE VRIJEDI ZA: (1) normalno trošenje i habanje; (2) estetska oštećenja koja ne utječu na rad ili (3) proizvode na kojima nedostaje, promijenjen je ili je oštećen NOCO serijski broj.

UVJETI JAMSTVA BEZ GNJAVAŽE

Ovi uvjeti primjenjuju se na proizvod samo tijekom jamstvenog razdoblja. Jamstvo bez gnjavaže ništavno je ili istekom vremena od datuma kupnje (vrijeme proteklo od datuma serijskog broja, ako nema dokaza kupnje) ili kao posljedica uvjeta ranije navedenih u ovom dokumentu. Proizvod vratite s odgovarajućom dokumentacijom.

S računom:

1 godina: BEZ naplate. S dokazom kupnje jamstveno razdoblje započinje datumom kupnje

BEZ računa:

1 godina: BEZ naplate. BEZ dokaza kupnje jamstveno razdoblje započinje datumom serijskog broja.

NOCO proizvod možete registrirati na internetu na: no.co/register. Ako imate bilo kakvih pitanja u vezi jamstva ili proizvoda, obratite se službi tvrtke NOCO za pomoć (gornja adresa e-pošte i broj telefona) ili pišite na: The NOCO Company, at 30339 Diamond Parkway, #102, Glenwillow, OH 44139 SAD.

NOCO BOOST[®] MAX[™] GB251+



危険

ユーザーガイドおよび保証



本品の使用前に安全情報にすべて目を通し、理解するようにしてください。この安全情報に従わない場合、電気ショック、爆発、火災が生じるおそれがあり、重大な傷害、死亡、物的損害に至るおそれがあります。



電気ショック 本品は電気装置のため、ショックおよび重傷を引き起こす可能性があります。電源コードを切らないでください。水に浸けたり、濡らしたりしないでください。



爆発 モニタされていない、互換性がない、または損傷したバッテリーを製品に使用すると、爆発が生じるおそれがあります。使用中は機器の傍から離れないでください。損傷または凍結したバッテリーのジャンプスタートは行わないでください。推奨電圧のバッテリーのみを本品に使用すること。よく換気した場所で本品を使用すること。



火事 本品は電気製品のため、発熱する場合があります。火災の原因となる可能性があります。本品を覆わないでください。本品の使用中は、喫煙しないこと。また、火花や火の発生源を使用しないこと。可燃性材料の近くに置かないこと。



眼外傷 本品の使用時には眼の保護具を着用してください。バッテリーは爆発するおそれがあり、破片が飛び散る可能性があります。酸バッテリーにより眼および皮膚に刺激が生じるおそれがあります。眼に入った場合や皮膚に触れた場合は、当該部位を清潔な流水で洗い、すぐに中毒事故管理センターに連絡してください。



爆発性ガス 鉛酸の近くで作業をすると危険を伴います。バッテリーは通常の動作で爆発性ガスを生じます。バッテリー爆発のリスクを減らすため、すべての安全性情報や指示に従うこと。また、情報および指示はバッテリーや併用する周辺機器の製造業者が発行していること。製品やエンジンの警告表示を再確認すること。

日本の

詳細およびサポートについては、次のURLを参照してください。

www.no.co/support

重要な安全上の警告

注意

手動モードでは、すべての安全対策が無効になります。不適切な方法で使用したり、推奨されている使用方法に反して使用したりすると、けがや死亡の原因となる可能性があります。保証が無効になります。火災、爆発および火傷のおそれ。分解、粉砕、60°C (140°F) を超える加熱、焼却をしないでください。この装置は屋外で一時的に使用することが予定されており、濡れた状態でこの装置を使用する場合は、十分な注意が必要です。

警告

内蔵バッテリーを過充電しないでください。取扱説明書を参照してください。パワーパックの近くで喫煙したり、マッチを擦ったり、火花を発生させたりしないでください。内蔵バッテリーの充電は、必ず使用していないときに換気の良い場所で行ってください。

注意

人への危害のおそれ。電源コードやバッテリーケーブルに何らかの損傷がある場合は、本製品を使用しないでください。この装置を商用の修理施設で使用することは想定されていません。この装置を使用しないときは、屋内に保管してください。この装置を使用しないときは、屋外に保管したり放置したりしないでください。

プロポジション65 バッテリー電極、端子、および化学物質（鉛など）を含む関連付属品このような材料は、カリフォルニア州において癌の原因となったり、出生時欠損やほかの生殖への危害が生じることが知られています。 **個人レベルの注意** 本来の用途にのみ使用すること。緊急時に備え、声の届く場所にほかの人がいる環境で使用すること。バッテリー酸による汚染に備え、清潔な水と石鹸を準備しておくこと。バッテリーの傍で作業にあたる場合は保護メガネと保護服を着用すること。バッテリーおよび関連機器の取扱後は必ず手を洗うこと。バッテリーを操作する際は金属（ツール、時計、宝石類など）を取り扱ったり、身に着けたりしないこと。金属をバッテリーの上に落下させると、火花や短絡が生じ、電気ショック、火災、爆発に至るおそれがあり、傷害、死亡、物品の損傷につながる可能性があります。 **未成年者** 「購入者」が未成年者に本品を使用させる場合、購入した大人が使用前に必ず詳細な使用説明書と警告を未成年者に提供することに同意すること。不可能である場合、NOCOへの補償について同意した「購入者」が、未成年者の意図しない使用や誤使用について単独で責任を負う。 **窒息の危険** 性付属品により、子供が窒息する危険性があります。子供の近くに製品や付属品

を置くときは、かならず保護者が立ち会うこと。本品は玩具ではありません。 **取扱** い気をつけて取り扱ってください。衝撃を与えた場合、本品が損傷することがあります。ケースにひびが入った場合や、ケーブルの損傷など、本品が損傷を受けた場合は使用しないでください。本品の電源コードが損傷した場合は使用しないでください。湿気があるところに置いたり、液体がかかたりすると本品が損傷することがあります。本品や電気部品を液体の近くで使用しないでください。本品は乾燥した場所で使用すること。濡れた場合は本品を使用しないこと。すでに使用した状態で濡れた場合、速やかにバッテリーから切断し使用を中止してください。切断するときはケーブルを引っ張らないこと。 改造本品のいずれの部品についても、変更、改造、修理を試みないこと。本品を解体すると、傷害、死亡、物品の破損に至るおそれがあります。本品の損傷や故障、または液体がかかった場合は、直ちに使用を中止し、NOCOにご連絡ください。本品の改造を行った場合、一切の保証が無効になります。 **付属品** NOCO社製の付属品のみが本品に使用できます。NOCO承認済みの付属品以外の使用による安全性および損害について、NOCOは一切の責任を負いません。 **位置** 本品に含まれる希硫酸の充電器との接触を避けてください。閉鎖された空間または十分な換気ができない場所で本品を操作しないでください。本品の上部にバッテリーを置かないこと。正しく配線することで、自動車部品（ボンネット、ドアを含む）、エンジン部品（ファン、ベルト、プーリーを含む）が動くことによる損傷または負傷や死亡の原因となる危険を回避することができます。 **作動温度** 本品は20℃～50℃での使用を想定して設計されています。この範囲外での操作を行わないでください。凍結したバッテリーのジャンプスタートは行わないでください。バッテリーの温度が過度に上昇した場合は、速やかに使用を中止してください。 **保管** 埃または空気中の物質の濃度が高い地域で本品の操作または保管を行わないでください。本品は落下の危険がない平らな場所に保管してください。乾燥した場所に保管すること。保管時の温度：-20℃～50℃（0℃～+25℃の平均温度）いずれの場合も80℃を超えないこと。 **互換性** 本製品は12V鉛酸バッテリーシステムにのみ対応しています。他のタイプのバッテリーで本製品を使用しないでください。他の化学物質を使用しているバッテリーをジャンプスタートすると、怪我や死亡、または物的損害の原因となる可能性があります。バッテリーをジャンプスタートさせる前にバッテリーの製造元にお問い合わせください。バッテリーに使用されている化学物質や電圧がわからない場合は、バッテリーをジャンプスタートさせないでください。 **バッテリー** 本製品に内蔵されているリチウムイオンバッテリーの交換はNOCO社のみが実施できます。また、使用済みのバッテリーは、家庭ごみと分別して廃棄する必要があります。ご自身でバッテリーの交換を行わないでください。また、損傷したバッテリーおよび漏れのあるバッテリーを取り扱わないでください。使用済みのバッテリーは、決して家庭ごみとして廃棄しないでください。家庭ごみとしてのバッテリーの廃棄は、州および連邦法に基づき非合法とされています。使用済みのバッテリーは、必ずお住まいの地域のバッテリー再利用センターで処理してください。本製品のバッテリーが過剰に熱をもっている場合、臭いを発する場合、変形、損傷がある場合またはその他の異常がある場合は、速やかにすべての使用を中止し、NOCO社にご連絡ください。 **充電** 付属の12VDCカーチャージャーまたはXGC4ウォールチャージャーを使用して充電します。汎用または他社製の電源アダプターは使用しないでください。人に怪我をさせたり、デバイスや財産を損傷させたりする重大なリスクを伴う可能性があります。破損したケーブルや充電器を使用したり、湿気がある環境で充電したりすると、感電の恐れがあります。NOCOはNOCOにより承認されていないアクセサリ

ーや電源が使用された場合、ユーザーの安全性、デバイスの破損、または物的損害に対して責任を負いません。XGC4 ウォールチャージャーを使用する場合は、電源コンセントに差し込む前に AC プラグがアダプターに完全に挿入されていることを確認してください。通常の使用時に電源アダプターが熱くなり、長時間皮膚に触れていると身体的損傷を引き起こす恐れがあります。使用中は必ず電源アダプターの周囲に十分な通気を確保してください。バッテリーの寿命を最大限に延ばすため、1週間以上製品を充電しないようにしてください。過充電するとバッテリーの寿命が短くなる可能性があります。製品を使用しないでいると時間の経過と共に放電され、使用前に再充電する必要があります。使用していない時は、製品を電源から外してください。本製品は本来の目的にのみご使用ください。

医療機器 本品は電磁場を発生するおそれがあります。本製品には、ペースメーカー、除細動器などの医療機器の機能を妨げる可能性のある磁性部品が含まれています。これらの部品がペースメーカーなど医療機器の機能を妨げる可能性があります。製品が医療機器の機能に影響を及ぼしている疑いがある場合、速やかに製品の使用を中止し、医師の診察を受けてください。

医学的条件製 品に影響を受ける可能性のある医学的状態がある場合（発作、黒くらみ、眼精疲労または頭痛など）、製品を使用する前に医師の診察を受けてください。高電力による閃光の使用によって光感受性発作を引き起こす危険性があります。ストロボモードで光を使用することで、感光性のてんかん発作が起こる可能性があり、場合によっては重大な外傷または死亡につながる恐れがあります。

光 光を直接眼に当てると、永続的な眼の損傷をきたす可能性があります。本製品は、高出力のLEDプレフォーカスランプを搭載しているため、最大出力に設定した場合は強い光線を発します。

清掃 メンテナンスおよび清掃前に本品の電源を切ってください。液体がかかった場合や汚染された場合は、直ちに本品を清掃し、乾燥させてください。柔らかく、糸くずの出ない（マイクロファイバー）布を使用してください。湿気の多いところで開けないでください。

爆発性雰囲気 すべての表示および指示に従うこと。穀物、ほこり、金属粉末などの化学物質や粒子が存在する給油領域または区域などの爆発性雰囲気中で本品を動作させないでください。

大損害につながる行動故障 本品の使用は意図されておらず、使用した場合は負傷、死亡または環境破壊の原因となります。

無線周波妨害 本品は、設計、試験、無線周波放出の規制に準拠して製造されています。本品からの無線周波放出は、誤動作を引き起こして、他の電子機器の動作に悪影響を与える可能性があります。

モデル番号：GB251本品は FCC規則Part 15に従っています。操作は以下を条件とします。(1) 電波障害を起こさないこと、(2) 誤動作の原因となる電波障害を含む、受信されたすべての電波障害に対して正常に動作すること。

注：この装置は、FCC規則Part 15に従って試験され、クラスAの電気機器の制限に適合していることが確認されています。この制限は、同装置が商業的環境において操作された際に受ける可能性のある電波障害に対する合理的な保護を行うよう設計されていることを示します。本装置は、高周波エネルギーを生成、使用、放出し、操作マニュアルに沿って設置および使用しない場合、電波障害を引き起こす可能性があります。居住環境において本装置を使用すると、有害な電波障害を引き起こすおそれがあり、この障害の修復に関してはユーザーの責任で行わなければなりません。

使用方法

ステップ1: GB251を充電する。

GB251 はある程度充電されている状態で販売されていますが、ご使用前に完全に充電する必要があります。付属の 12V DC カーチャージャーまたは XGC4 ウォールチャージャーを使用して、GB251 を 12V IN ポートに接続します。GB251 の充電時間は、放電レベルと使用電源により異なります。実際の結果はバッテリーの状態と放電レベルにより異なります。

充電中、充電LEDが内部バッテリーの充電状況を示します。ゆっくりと「オフ」、「オン」にパルス点灯し、4つの充電LEDがオンになるまで点灯します。バッテリーが完全に充電されると、100%緑色充電LEDが点灯し、25%、50%、75%充電のLEDが「オフ」になります。ときどき、100% LEDがパルス点灯し、メンテナンス充電中であることを示します。

ステップ2: バッテリーに接続します。

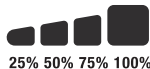
車両の取扱説明書を注意深く読み、車両をジャンプスタートするための具体的な注意事項および推奨方法について把握するようにしてください。本製品の使用前に、バッテリーの取扱説明書でバッテリーの電圧と使用化学物質を確認してください。GB251 は 24V 鉛酸バッテリーシステムにのみ対応しています。バッテリーに接続する前に、24V の鉛酸バッテリーシステムを使用していることを確認してください。GB251 は他のタイプのバッテリーには適していません。バッテリー端子の正しい極性を確認してください。通常、バッテリーのプラス端子に「POS、P、+」などが記されています。通常、バッテリーのマイナス端子に「NEG、N、-」などが記されています。キャブレター、フューエルライン、または薄い板金部分に接触させないでください。以下の手順は、マイナス接地（最も一般的）用のものです。車両が

充電時間: | 充電器レート:

5hr

56W

内蔵バッテリーレベル



プラス接地（非常にまれ）の場合は、車両のマニュアルで適切なジャンプスタート手順を確認してください。

1.) プラス（赤）のブースターケーブルをバッテリーのプラス（POS、P、+）端子に接続し、マイナス（黒）のブースターケーブルをバッテリーのマイナス（NEG、N、-）端子または車両のシャーシに接続します。

ステップ3: ジャンプスタート

1.) 車両のジャンプスタートを開始する前に、すべての電力負荷（ヘッドライト、ラジオ、冷暖房等）がオフになっていることを確認します。

2.) 電源ボタンを押してジャンプスタートを開始すると、すべての LED が1回点滅します。バッテリーに正しく接続されている場合は、白のブースト LED が点灯し、バッテリー充電 LED が続いて点灯します。バッテリーが検出されるとすぐに 60 秒のタイムアウトカウントダウンが開始されます。

3.) 車両を起動します。ほとんどの車両がすぐに起動します。スタート前に30秒までの接続を必要とする車両もあります。車両が直ちにスタートしない場合、20~30秒待った後改めて操作を行ってください。15分以内に5回以上続けてジャンプスタートの操作を行わないでください。再度ジャンプスタートの操作を行う前に、15分静止させてください。

4.) 車両がスタートした後、バッテリーランプを抜去し、GB251を取り外してください。

60秒のタイムアウト

バッテリーが検出されると、すぐに60秒のタイムアウトのカウントダウンが始まります。60秒経過すると、ジャンプスタート機能が無効になります。ブーストランプがオフになり、内部バッテリー充電ランプがユニットの現在の充電レベルを示します。ジャンプスタート機能をリセットするには、電源ボタンを押

してユニットの電源を切ります。もう一度電源ボタンを押すと、ユニットの電源が入り、ジャンプスタート機能が再開します。

注意。

手動オーバーライドモードを使用している間は、60秒のタイムアウトが無効になります。手動オーバーライドが有効な間、電力の供給が続けられます。ジャンプスタートの回数を最大にするには、車両が始動したらすぐにブーストユニットをオフにすることをおすすめします。

低電圧バッテリーと手動オーバーライド

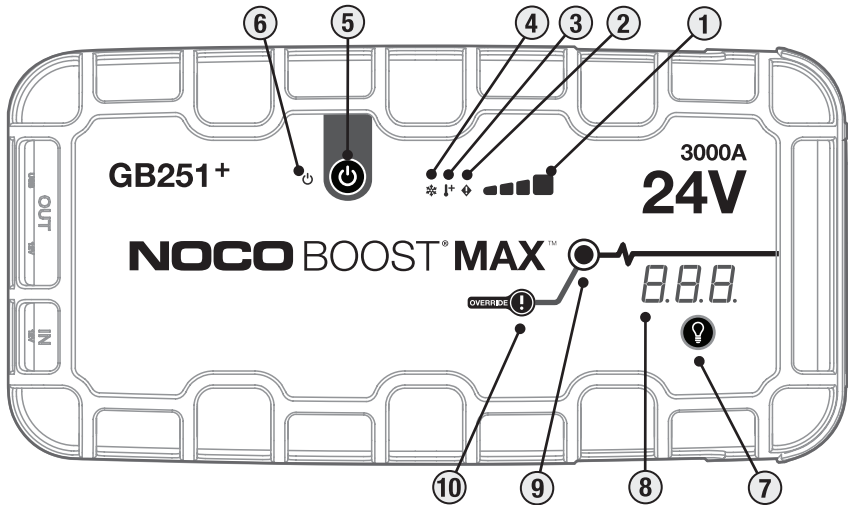
GB251 は 24V ~ 2V の鉛酸バッテリーシステムをジャンプスタートするよう設計されています。バッテリーが 2V 未満の場合、ブースト LED はオフになります。これは GB251 がバッテリーを検出できないことを示しています。2V 未満のバッテリーをジャンプスタートする場合は、手動オーバーライド機能があり、ジャンプスタート機能を強制的にオンにすることができます。バッテリーが 2V 未満の場合、ブースト LED がオフになり電圧計に電圧は表示されません。

注意。

このモードは細心の注意を払ってご使用ください。このモードは 24V の鉛酸バッテリーシステム専用です。火花防止および逆極性保護機能は両方とも無効になります。このモードを使用する前に、バッテリーの極性に十分注意してください。プラスとマイナスのバッテリークランプが接触したり、互いに接続されたりしないようにしてください。火花が発生します。このモードでは非常に高い電流（最大 3000A）が使用され、適切に使用しないと火花や高温が発生する恐れがあります。このモードの使用方法がわからない場合は使用せず、プロにご相談ください。

USB および 12V デバイスへの電源供給。

GB251 には 2 つの USB 出力ポートと 1 つの 12V 出力ポート (12V AUX・ライターポート) が搭載されています。標準の USB デバイスまたは 12V デバイス（最大 15A）を接続し、GB251 をオンにするとデバイスに電源が供給されます。



インターフェース

- 1.) 内蔵バッテリーレベル が内蔵バッテリーの充電レベルを示します。
- 2.) 逆極性が検出された場合、極性の反転が検出された場合は赤色に点灯します。または、さまざまなシーケンス（1～6回の点滅）で「オン」と「オフ」を点滅させて、エラー状態を伝えます。
- 3.) ホットLED ライトが赤色に点灯：ユニットは完全に操作可能ですが、温度上限に近づいています。赤く点滅。ユニットはジャンプスタートするには熱すぎます。この状態で使用できるのは懐中電灯だけです。
- 4.) コールドLED ライトが青色に点灯：ユニットは完全に操作可能ですが、温度下限に近づいています。青色に点滅。ユニットが寒すぎてジャンプスタートできません。この状態では懐中電灯のみが使用可能です。
- 5.) 電源ボタンでユニットの「オン」と「オフ」を切り替えます。
- 6.) ユニットが「オン」のときは電源LED ライトが白色に点灯します。60秒のタイムアウトカウントダウンの後、ランプがカーバッテリーから取り外されるか、GB251の電源がオフになってから再びオンになるまで、オレンジ色に点灯します。
- 7.) ライトモードボタン： 7つのライトモードでワークライトを切り替えます。100% > 50% > 10% > SOS > 点滅 > ストロボ > オフ
- 8.) 電圧計/カウントダウンタイマー 内蔵の電圧計で車両のバッテリーの電圧を確認し、より性能の高い診断やトラブルシューティングができるようになります。電圧計は、バッテリーランプが接続されているときは、ユニットの電源がオフになっていても、自動的にバッテリー（またはバッテリーシステム）の電圧を読み取ります。電圧計の電圧は約3V～30Vとなります。3V未満の場合は何も表示されません。電圧が低い場合、車両の始動を試みる前に、ヘッドライトやACファンなどのバッテリーに負荷がかかる可能性があります。ユニットの電源がオンでバッテリーが検出された後、電圧計は60秒のタイムアウトカウントダウンを表示します。
- 9.) ブーストが有効になっている場合、ブーストLEDライトが白色に点灯します。ユニットがバッテリーに正しく接続されている場合、GB251は自動的にバッテリーを検出してブーストモードに入ります（手動オーバーライド機能が有効な場合は白色LEDが点滅します）。
- 10.) 手動オーバーライドボタン： 有効にするには、3秒間長押しします。警告：安全保護を無効にし、手動でブーストをオンにします。バッテリー電圧が低すぎて検出できない場合にのみ使用してください。

トラブルシューティング

エラー	理由 / 解決策
	エラーLED: 赤色に点灯
❖	エラーLED: 赤色点滅 (正しくケーブルを接続した状態)
	1回点滅
	ダブル (2) フラッシュ
	クワッド (4) フラッシュ
	5倍 (5) フラッシュ
	六重 (6) フラッシュ
	ホットLED: 点灯
!+	ホットLED: 点滅
	ホットLED: 点滅後、すべてのLEDが消灯



コールドLED: 点灯	ユニットは完全に操作可能ですが、温度下限に近づいています。 / ユニットの温めてください。
コールドLED: 点滅	ユニットが寒すぎてジャンプスタートできません。この状態では懐中電灯のみが使用可能です/ユニットを暖機してください
コールドLED: 点滅後、すべてのLEDが消灯	ユニットの温度が低すぎるため、ジャンプスタートおよび他の機能も使用することができません。 / ユニットの温め、より暖かい場所に置いてください、
ブーストライトが点灯しない (正しくケーブルを接続した状態)	接続したバッテリーが3V未満である / すべての負荷を取り除き、再度試してみる。または手動オーバーライドモードを使用する

技術上の仕様

内部バッテリー： 137Wh リチウムイオン	12V (入力): 12V/5A (14V 最大)
ピーク電流レート： 3000A	12V (出力): 12V、15V最大
動作温度： -20°C~+50°C	筐体保護： IP65 (ポートを閉じた状態)
充電時の温度： 0°C ~+40°C	冷却： 自然対流
保管時の温度： -20°C~+50°C (平均)	寸法 (長さ×幅×高さ) : 31.75 x 20.83 x 3.39 センチメートル
USB (出力) : 5V、2.1A	重量： 6.19 キログラム (13.65 lb)

NOCO 1年限定保証

NOCO社 (以下、「NOCO」) は、同社の製品 (以下、「製品」) は、購入日から1年間材料および製造上の欠陥がないことを保証します (以下、「保証期間」)。保証期間中に欠陥が報告された場合、NOCO は、その自由裁量により、技術サポート分析に従って修理または交換のいずれかを行うものとします。交換部品や製品は、新品または使用済みであり、元の部品への機能や性能の同程度のものであるとし、元の保証期間の残りの期間保証されます。

NOCOが負う責任は、交換または修理に限定されます。法律によって許される最大の限度で、NOCO社は、購入者や第三者に対して、いずれの特別損失、間接的、結果的、あるいは例示的に生じた逸失利益、物質損傷、人体への傷害について、事前に知識を得ていた場合も、責任を負わないものとします。上述の保証は、ここに明示されていない他の保証すべてに代わるものであり、法において明示または暗示されている場合、あるいは市販性、特定目的との適合性などの点を含む (ただし必ずしもこれらに限定さ

れない) 明示または暗示の保証をすることなく提供します。適用される法律が、排除または変更できない保証、条件または義務を履行する場合、この条項はそのような法律で認められる最大限の範囲に適用されます。

この限定保証は、NOCOまたはNOCO認定の販売代理店または代理店からの本製品購入者の利益のためにのみ行われ、譲渡または譲渡することはできません。保証請求を主張するには、購入者は以下の条件を満たさなければなりません。(1) NOCOサポート (support@no.coまたは1.800.456.6626) における返品保証 (RMA) 番号の要求および取得、(2) 欠陥のある製品、RMA番号、MSRPの45%の手数料 (「保証手数料」) [RMAに適用される保証料金額が含まれます]の領収書または保証料 (領収書を提出しない場合に必要な手数料) を含む製品を返品用の住所に送付する。NOCOサポートからRMAを取得せずに製品を送付しないこと。

購入者は、保証サービスのために製品を発送するために、すべての梱包および運送費用を支払う必要があります (また、それを事前に準備しておく必要があります)。

上記の定めにかかわらず、製品が以下に当てはまる場合はこの限定保証は無効となり、適用されません。(a) 注意を怠った取扱いまたはNOCOが推奨する安全および効果的な使用基準を超えた過剰な気温、衝撃、振動に係る誤用、(b) 誤った方法で設置、作動、メンテナンスされている、(c) NOCOの書面による許可なく改造されている、(d) 製品がNOCO以外の者によって分解、変更、修理されている場合、(e) 保証機関以降に報告された不具合。

本限定保証は以下を含みません。(1) 通常使用による摩損(2) 機能に影響しない表面的な損傷(3) NOCOのシリアル番号がない場合、変更または汚損した場合。

簡単保証の条件

以下の条件は、保証期間中の製品にのみ適用されます。簡単保証は、購入日からの経過時間 (購入証明がない場合はシリアル番号の日付からの経過時間)、または本文書の前半に記載された条件により無効とな

ります。製品を返品する際には、適切な書類を添付してください。

領収書がある場合:

1年間無料。購入証明がある場合、保証期間は購入日から始まります。

領収書がない場合:

1年間無料。購入証明がない場合、保証期間はシリアル番号の日付から始まります。

オンラインで登録するには no.co/register にアクセスしてください。保証や製品について質問がある場合は、NOCOサポート（上記のEメールまたは電話番号）にご連絡いただくか、下記住所まで書面でお知らせください。The NOCO Company, at 30339 Diamond Parkway, #102, Glenwillow, OH 44139 USA.

NOCO BOOST[®] MAX[™] GB251+



위험

사용자 설명서 및 보증



본 제품을 사용하기 전에 모든 안전 정보를 읽고 숙지하십시오. 아래 안전 지침을 따르지 않을 경우, 심각한 상해, 사망, 또는 재산상의 손해를 초래할 수 있는 감전, 폭발, 화재가 발생할 수 있습니다.



감전. 제품은 감전 및 심각한 상해를 초래할 수 있는 전기 장치입니다. 전원 코드를 절단하지 마십시오. 물에 잠기거나 젖지 않게 하십시오.



폭발. 모니터링 되지 않거나, 호환되지 않거나, 또는 파손된 배터리를 제품과 함께 사용하는 경우, 폭발할 수 있습니다. 사용 중 제품을 방치하지 마십시오. 손상되거나 언 배터리를 점프 스타트하지 마십시오. 권장 전압의 배터리만 제품을 사용하십시오. 환기가 잘되는 장소에서 제품을 사용하십시오.



화재. 제품은 열을 방출하고 화상을 초래할 수 있는 전기 장치입니다. 제품을 덮어 두지 마십시오. 제품을 작동할 때, 담배를 피우거나 또는 전기 스파크나 불의 소스를 사용하지 마십시오. 제품을 가연성 물질로부터 멀리하십시오.



눈 부상. 제품을 작동할 때 보안경을 착용하십시오. 배터리가 폭발하여 파편이 발생할 수 있습니다. 배터리의 산이 눈과 피부에 자극을 줄 수 있습니다. 눈이나 피부가 오염된 경우, 해당 부위를 즉시 깨끗한 물로 씻어내고 독물질 제어(poison control) 팀에 연락하십시오.



폭발성 가스. 납산 가까이서 작업하는 것은 위험합니다. 배터리는 일반 배터리 작동 중에 폭발성 가스를 생성합니다. 배터리 폭발의 위험을 줄이기 위해, 모든 안전정보 지침 그리고 배터리 제조 업체 및 배터리의 가까이서 사용할 모든 장비의 제조 업체에서 발행하는 지침을 따르십시오. 이러한 제품들 및 엔진에 대한 주의표시를 검토하십시오.

한국의

자세한 정보 및 지원:

www.no.co/support

중요 안전 경고

주의

수동 모드는 모든 안전 조치를 비활성화합니다. 권장 사용 방법을 따르지 않거나 부적절하게 사용하는 경우 상해를 당하거나 사망에 이를 수 있으며, 보증이 무효가 됩니다. 화재와 폭발, 화상의 위험이 있습니다. 해체하거나, 충격을 가하거나, 60°C (140°F) 이상의 열을 가하거나, 소각하지 마세요. 이 기기는 실외에서 일시적으로 사용해야 하며 젖은 상태에서 사용할 때는 적절한 주의를 기울여야 합니다.

경고

내부 배터리를 과충전하지 마세요. 사용 설명서를 보세요. 파워 팩 주변에서 담배를 피우거나, 성냥불을 붙이거나, 불꽃을 일으키지 마세요. 사용하지 않을 때는 환기가 잘되는 구역에서만 내부 배터리를 충전하세요.

주의

다수의 사람에게 상해 위험이 있습니다. 전원 코드나 배터리 케이블이 손상된 경우 절대 이 제품을 사용하지 마세요. 이 기기는 상업용 수리 시설에서 사용하기 위한 것이 아닙니다. 이 기기는 사용하지 않을 시 실내에 보관해야 합니다. 이 기기는 사용하지 않을 때 바깥에서 보관하거나 두면 안 됩니다.

Proposition 65 (제안 65호). 배터리 포스트, 터미널, 및 관련 부품들은 납 등의 화학물질을 포함하고 있습니다. 이러한 물질들은 암, 기형아 출산 및 기타 생식능력에 피해를 유발하는 것으로 (미국) 캘리포니아 주에 알려져 있습니다. **개인 주의사항.** 의도한 용도로만 제품을 사용합니다. 만일의 경우에 대비하여, 작동자의 음성을 들을 수 있을 정도의 범위 내 또는 도움을 줄 수 있는 거리에 누군가가 있어야 합니다. 배터리 산 오염의 경우에 대비하여, 가까이에 깨끗한 물과 비누가 준비되어 있어야 합니다. 배터리 근처에서 작업하는 동안, 눈을 완전히 보호할 수 있는 보안경 및 보호복을 착용하십시오. 배터리 및 관련 물질을 취급한 후에는 항상 손을 씻으십시오. 배터리로 작업할 때, 도구, 시계나 보석 등의 금속물질을 처리하거나 착용하지 마십시오. 금속이 배터리에 떨어질 경우, 상해, 사망 또는 재산상의 손해를 초래할 수 있는 전기 충격이나 합선이 발생할 수 있습니다. **미성년자.** "구매자"가 제품을 미성년자가 사용할 의도로 구입하는 경우, 제품을 구입하는 성인은 해당 미성년자가 사용하기 전에 자세한 지침과 경고를 제공하는 데 동의함을 의미합니다. 이를 이행하지 않은 경우, 미성년자에 의한 의도하지 않은 사용이나 오용에 대해 NOCO에게 책임을 묻지 않겠다고 동의한 "구매자"의 전적인 책임입니다. **질식 위험.** 부품들은 아이들에게 질식의 위험이 있습니다. 어린이를 제품 또는 액세서리와 남겨둔 채 방치하지 마십시오. 제품은 장난감이 아닙니다.

취급. 제품을 주의해서 취급하십시오. 충격을 받을 경우 제품이 손상될 수 있습니다. 케이스에 균열이나 손상 케이블을 포함하여, 하지만 이에 국한되지 않고, 손상된 제품을 사용하지 마십시오. 손상된 전원 코드로 제품을 사용하지 마십시오. 습도 및 액체가 제품을 손상할 수 있습니다. 제품이나 전기부품을 액체 가까이에서 처리하지 마십시오. 건조한 장소에서 제품을 보관하고 작동하십시오. 젖은 경우 제품을 사용하지 마십시오. 작동 중 충전기가 젖었을 경우, 전기 콘센트와 배터리로부터 분리하고 즉시 사용을 중지하십시오. 케이블을 당겨서 제품을 분리하지 마십시오. 수정. 제품의 어느 부분도 변경, 수정 또는 수리하려고 하지 마십시오. 제품 분해는 상해, 사망 또는 재산상의 손해를 초래할 수 있습니다. 제품의 손상, 오작동 또는 액체와 접촉한 경우, 사용을 중지하고 NOCO에 문의하십시오. 제품을 수정한 경우 보증은 무효화됩니다. **부속품.** 이 제품은 NOCO 부품과 함께 사용할 경우에 한하여 사용이 승인되었습니다. NOCO가 승인하지 않은 부품을 사용할 경우, NOCO는 사용자의 안전이나 손해에 대해 책임을 지지 않습니다. **위치.** 배터리의 산이 제품에 접촉하지 않도록 하십시오. 밀폐된 장소 또는 환기가 제한된 곳에서 제품을 사용하지 마십시오. 제품 위에 배터리를 올려놓지 마십시오. 케이블 리드는, 움직이는 자동차 부품(후드와 도어 포함), 움직이는 엔진 부품(팬 블레이드, 벨트 및 풀리)에 의한 불의의 손상을 방지하도록, 또는 상해나 사망의 원인이 될 수 있는 위험물이 되지 않도록 두십시오. **작동 온도.** 충전기는 주위 온도 -20°C ~ 50°C에서 작동하도록 설계되었습니다. 이 온도 범위 밖에서 작동하지 마십시오. 언 배터리를 점프 스타트하지 마십시오. 배터리가 지나치게 뜨거워지면 즉시 제품의 사용을 중단하십시오. **보관.** 먼지나 공기 중 물질의 농도가 높은 곳에서 제품을 사용하거나 보관하지 마십시오. 떨어질 가능성이 없는, 평평하고 안전한 면에 제품을 보관하십시오. 건조한 장소에 제품을 보관하십시오. 보관 온도는 -20°C ~ 50°C (평균 기온 0°C ~ +25°C)입니다. 어떤 조건에서도 절대 80°C를 넘지 마십시오. **호환성.** 본 제품은 12V 납산(Lead-Acid) 배터리 시스템과만 호환됩니다. 다른 종류의 배터리에 사용하지 마십시오. 다른 배터리 화학물질로 점프 스타트하면 부상, 사망, 또는 재산 피해가 발생할 수 있습니다. 배터리를 점프 스타트하기 전에 배터리 제조업체에 연락하십시오. 배터리의 특정 화학 물질 또는 전압을 잘 모르는 경우 점프 스타트하지 마십시오. **배터리.** 제품에 내장된 리튬 이온 배터리는 NOCO로 교체해야 하며, 가정용과 분리하여 별도로 재활용 또는 폐기해야 합니다. 배터리를 직접 교체하지 말고 손상되었거나 액체가 흘러나오는 리튬 이온 배터리를 다루지 마십시오. 배터리를 가정용 쓰레기와 함께 폐기하지 마십시오. 배터리를 가정용 쓰레기와 함께 폐기하는 것은 (미국의 경우 주 및 연방) 환경 법률 및 규정에 따라 불법으로 간주됩니다. 사용한 배터리는 항상 해당 지역의 배터리 재활용센터로 가지고 가십시오. 제품의 배터리가 지나치게 뜨겁거나, 냄새가 나거나, 변형되거나, 절단되거나 또는 비정상적으로 작동하면, 즉시 모든 사용을 중지하고 NOCO에 문의하십시오. **배터리 충전.** 동봉된 12VDC 차량용 충전기나 XGC4 벽면 충전기로 이 제품을 충전하십시오. 일반적인 어댑터나 타사 전원 어댑터를 사용할 경우 부상이나 기기 손상 또는 재산 손해를 초래할 수 있는 심각한 전기 위험이 발생할 수 있습니다. 손상된 케이블이나 충전기를 사용하거나 습기가 있을 때 충전할 경우 감전이 일어날 수 있습니다. NOCO가 승인하지 않은 부속품이나 전원 장치를 사용하는 경우 NOCO는 사용자의

안전과 기기 고장, 또는 재산 손해에 대해 책임지지 않습니다. XGC4 벽면 충전기를 사용할 때 콘센트에 연결하기 전에 AC 플러그가 어댑터에 완전히 삽입되어 있는지 확인하십시오. 일반적인 사용 중에 전원 어댑터의 온도가 올라갈 수 있으며 계속해서 피부에 접촉할 경우 신체 상해를 유발할 수 있습니다. 전원 어댑터 사용 시 항상 주변을 적절히 환기 시키십시오. 과충전은 배터리 수명을 단축할 수 있기 때문에 배터리 수명을 최대화하기 위해, 충전시 한 번에 1주일 이상 충전하지 마십시오. 시간이 지나면 사용하지 않은 제품은 방전되며 사용하기 전에 반드시 충전해야 합니다. 사용하지 않을 때는 제품을 전원에서 분리하십시오. 본래의 사용 목적으로만 제품을 사용하십시오. **의료 기기.** 제품은 전자기장을 방출할 수 있습니다. 제품은 자기 구성 요소를 포함하고 있어서, 심장 박동기, 제세동기 또는 기타 의료 기기를 방해할 수 있습니다. 이러한 전자기장은 심장 박동기 또는 기타 의료 기기를 방해할 수 있습니다. 심장 박동기 같은 의료 기기가 있다면, 사용하기 전에 담당 의사와 상의하십시오. 제품이 의료 기기를 방해한다고 의심되는 경우, 즉시 사용을 중지하고 의사와 상의하십시오. **의료상의 문제.** 제품에 의해 영향을 받을 수 있다고 생각되는 발작, 실신, 눈의 피로 또는 두통을 포함하는 (그러나 이에 국한되지 않는) 질병이 있는 경우, 제품을 사용하기 전에 담당 의사와 상의하십시오. 집적된 고성능 손전등 사용은 눈의 빛에 대한 감도 위험이 포함되어 있습니다. 스트로브 모드에서의 라이트를 사용은 광감수성 간질을 앓고 있는 사람의 경우 발작을 일으켜 심각한 부상이나 사망을 초래할 수 있습니다. **라이트.** 손전등을 직접 응시하면 눈에 영구적인 손상을 초래할 수 있습니다. 본 제품은, 최고 설정에서 강력한 광선을 방출하는 고풍력 LED 프리포커스(pre-focused) 램프가 장착되어 있습니다. **청소.** 유지보수 또는 청소를 하기 전에 충전기의 플러그를 뽑습니다. 액체 또는 기타 오염 물질에 접촉한 경우, 즉시 제품을 청소하고 건조합니다. 부드럽고 보풀이 없는(극세사) 헝겊을 사용합니다. 개방된 부분에 습기가 들어 가지 않도록 주의하십시오. **폭발 위험의 환경.** 모든 기호와 지침을 준수하십시오. 연료를 공급장소 또는 곡물, 먼지 또는 금속분말과 같은 화학 물질이나 입자가 있는 장소 등의, 폭발위험 지역에서는 제품을 사용하지 마십시오. **고-위험성 활동.** 이 제품은, 장치의 실패가 상해, 사망 또는 심각한 환경피해로 이어질 수 있는 곳에서는 사용하지 말아야 합니다. **무선 주파수 간섭.** 제품은 무선 주파수 방출을 관리하는 규정에 준수하여 설계, 시험 및 제작되었습니다. 제품에서 발생하는 이러한 방출량은 전자 기기의 작동에 부정적인 영향을 끼쳐 오작동을 일으킬 수 있습니다. **모델 번호: GB2510** 이 장치는 FCC 규정 제15조를 준수합니다. 작동에는 다음 두 가지 조건이 적용됩니다: (1) 이 장치가 유해한 간섭을 일으키지 않아야 하며, (2) 이 장치가 원하지 않는 작동을 유발할 수 있는 간섭을 포함하여 수신하는 모든 간섭을 수용해야 합니다. 주의: 이 장비는 테스트 결과 FCC 규정 제15 조에 따라, 테스트를 통해 A등급 디지털 장치에 대한 제한사항을 준수하는 것으로 판명되었습니다. 이 제한사항은 장비가 상업적 환경에서 작동할 때 유해한 간섭으로부터 합리적인 보호를 제공하도록 고안되었습니다. 이 장비는 무선 주파수 에너지를 생성, 사용 및 방출할 수 있으며, 지침 설명서에 따라 설치 및 사용하지 않을 경우 무선 통신에 유해한 간섭을 유발할 수 있습니다. 주거 지역에서 이 장비를 작동하면 유해한 간섭을 유발할 수 있습니다. 이 경우, 사용자는 자신의 비용으로 간섭을 교정해야 합니다.

사용방법

단계 1: GB251 충전.

GB251은 부분적으로 충전된 상태로 제공되며 사용하기 전에 완전히 충전해야 합니다. 동봉된 12V DC 차량용 충전기나 XGC4 벽면 충전기를 사용하여 GB251을 12V IN 포트에 연결하십시오. GB251 충전 시간은 방전 수준과 사용하는 전원에 따라 다릅니다. 배터리 상태와 방전 수준에 따라 실제 결과는 다를 수 있습니다.

재충전 할 때, 내부 배터리의 충전 레벨은 Charge LED에 표시됩니다. LED는 천천히 'On'과 'Off'를 반복하고, 4개의 Charge LED가 모두 켜지면 계속 불이 켜진 상태가 됩니다. 배터리가 100% 충전되면, 초록색 100% LED에 불이 켜진 상태가 되고 25%, 50% 및 75% Charge LED는 "꺼집니다". 때때로 초록 100% LED가 깜박거리는데, 이는 유지보수 충전이 진행 중임을 나타냅니다.

단계 2: 배터리에 연결.

차량 소유자 매뉴얼에 설명된 차량 점프 시동을 위한 특정 예방 조치 및 권장 방법에 대해 주의 깊게 읽고 이해하십시오. 이 제품을 사용하기 전에 배터리 사용 설명서를 참고하여 배터리의 전압과 화학적 성질을 확인하십시오. GB251은 24V 납산 배터리 시스템 점프 스타트 전용입니다. 배터리에 연결하기 전에 24V 납산 배터리 시스템인지 확인하십시오. GB251은 다른 유형의 배터리에는 적합하지 않습니다. 배터리에서 배터리 단자의 극성이 맞는지 확인하십시오. 양극 배터리 단자는 보통 POS, P, +와 같은 문자나 기호로 표시됩니다. 음극 배터리 단자는 보통 NEG, N, -와 같은 문자나 기호로 표시됩니다. 기화기나 연료관 또는 얇은 금속 부품에 연결하지 마십시오. 아래 지침은 (가장 일반적인) 음극 접지 시스템에 관한 설명입니다. 귀하의 차량이 (매우 드문 경우) 양극 접지 시스템인 경우 차량 설명서에서 적절한 점프 스타트 방법을 확인하십시오.

1.) 양극(적색) 배터리 클램프를 양극(POS, P, +) 배터리 단자에 연결하고 음극(흑색) 배터리 클램프를 음극(NEG, N, -) 배터리 단자 또는 차량 새시에 연결하세요.

충전 시간:

5hr

충전기 정격:

56W

내부 배터리 레벨:



25% 50% 75% 100%

단계 3: 점프 스타트

- 1.) 차량을 점프 스타트하기 전에, 차량의 동력 부하(전조등, 라디오, 에어컨 등)가 꺼져 있는지 확인하십시오.
- 2.) 전원 버튼을 눌러 점프 스타트를 시작하면, 모든 LED가 한 번 깜빡입니다. 배터리를 제대로 연결한 경우 백색 부스트 LED가 켜지고 배터리 충전 LED에 불이 들어옵니다. 배터리가 감지되는 즉시 60초 타임아웃 카운트다운이 시작됩니다.
- 3.) 차량에 시동을 겁니다. 대부분의 차량은 즉시 시동이 걸립니다. 일부 차량은 GB251을 최대 30초 동안 연결해야 시동이 걸릴 수도 있습니다. 차량이 즉시 시동이 걸리지 않으면, 20~30초 정도 기다렸다가 다시 시도하십시오. 십오(15)분 동안에 오(5)회를 초과하여 연속적으로 점프 스타트를 시도하지 마십시오. 다시 차량을 점프 스타트할 때, GB251을 십오(15)분 동안 기다렸다 시도하십시오.
- 4.) 차량에 시동을 건 후에는, 배터리 클램프를 분리하고 GB251을 분리하십시오.

60초 타임아웃.

60초 카운트다운은 배터리가 감지된 순간 시작됩니다. 60초가 지난 후 점프 스타트 기능이 비활성화됩니다. 부스트 LED가 꺼지고 내부 배터리 충전 LED가 장치의 현재 충전 수준을 나타냅니다. 점프 스타트 기능을 초기화하려면 전원 버튼을 눌러 장치의 전원을 꺼주세요. 전원 버튼을 다시 눌러 장치의 전원을 켜고 점프 스타트 기능을 재시작하세요.

주의.

수동 오버라이드 모드를 사용할 때는 60초 타임아웃이 비활성화됩니다. 수동 오버라이드가 활성화되는 동안 전원이 계속해서 공급됩니다. 점프 스타트 횟수를 최대화하기 위해 차량의 시동이 걸리자마자 제품을 끄는 것을 권장합니다.

저전압 배터리 및 '수동 조작'

GB251은 24V 납산 배터리 시스템을 2V까지 점프 스타트하도록 설계되었습니다. 배터리가 2V 미만인 경우, 부스트 LED가 "꺼짐(off)" 상태가 됩니다. 이 상태는 GB251이 배터리를 감지할 수 없음을 나타냅니다. 2V 미만의 배터리를 점프 스타트해야 할 경우, 수동 오버라이드 기능을 사용하면 점프 스타트 기능이 강제로 "켜기(On)" 상태가 됩니다. 배터리가 2V 미만인

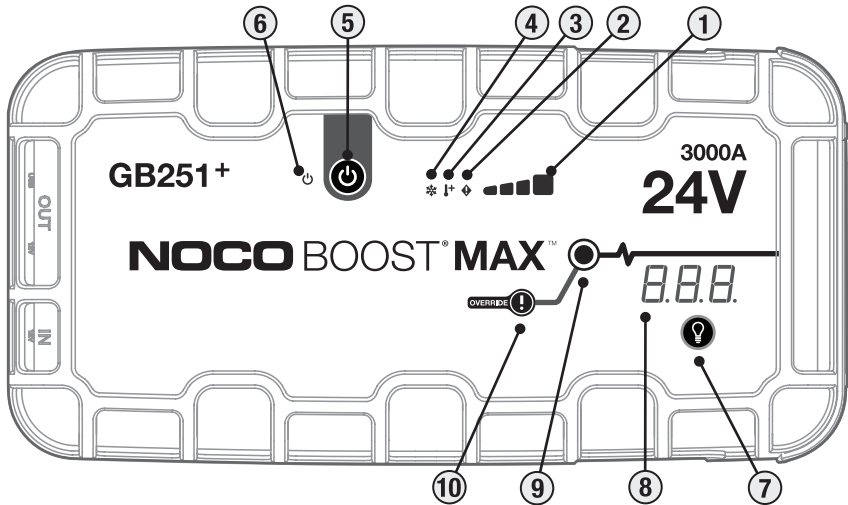
경우 부스트 LED가 꺼지고 전압계에 전압이 표시되지 않습니다.

주의.

이 모드를 사용할 경우 반드시 충분한 주의를 기울이십시오. 이 모드는 24V 납산 배터리 시스템 전용입니다. 스파크 방지 기능과 역극성 보호 기능이 비활성화됩니다. 이 모드를 사용하기 전 배터리의 극성이 맞는지 세심히 주의를 기울이십시오. 제품이 스파크를 생성하므로 양극 및 음극 배터리 클램프가 서로 접촉하거나 연결되지 않도록 하십시오. 이 모드는 매우 전류가 높기(최대 3000 AMP)때문에 잘못 사용하는 경우 스파크와 고온을 일으킬 수 있습니다. 이 모드의 사용법에 대해 확실하지 않은 경우, 사용하지 마시고 전문가의 도움을 받으십시오.

USB 및 12V 기기에 전원 공급.

GB251에는 USB-OUT 포트 2개와 12V-OUT 포트(12V AUX/ 담배ライター 포트)가 있습니다. 표준 USB 기기나 12V 기기(최대 15A)를 연결하고 GB251 "켜기(On)"를 실행하여 기기에 전원을 공급합니다.



상호 작용

1.) 내부 배터리 레벨: 내부 배터리의 충전 레벨을 나타냅니다.

2.) 오류 LED: 역 극성이 감지되면 빨간색으로 켜지거나 오류 조건을 전달하기 위해 다양한 순서로 "켜짐" 및 "꺼짐"으로 깜박입니다 (1 ~ 6 번 깜박임).

3.) 핫 LED 가 고정 빨간색으로 켜짐: 장치가 완전히 작동하지만, 온도 상한점에 접근하고 있습니다. 빨간색으로 깜박임; 장치가 너무 뜨거워서 점프를 시작할 수 없습니다. 이 상태에서는 손전등만 사용할 수 있습니다.

4.) 콜드 LED 가 고정 파란색으로 켜짐: 장치가 완전히 작동하지만, 온도 하한점에 접근하고 있습니다. 파란색으로 깜박임; 장치가 너무 차가워 점프를 시작할 수 없습니다. 이 상태에서는 손전등만 사용할 수 있습니다.

5.) 전원(Power) 버튼: 이 버튼을 눌러 장치를 "On" 및 "Off" 상태로 만듭니다.

6.) 전원(Power) LED: 단위가 "On"이면 흰색이 켜집니다. 클램프가 자동차 배터리에서 제거되거나 GB251의 전원이 '꺼졌다' 다시 켜질 때까지 60 초 시간 카운트 다운 후 주황색으로 켜집니다.

7.) 라이트 모드 버튼: 매우 밝은 LED 라이트가 7가지 라이트 모드로 전환합니다: 100% > 50% > 10% > SOS > 깜빡임(Blink) > 스트로브(Strobe) > Off

8.) 전압계 / 카운트 다운 타이머 내장된 전압계가 향상된 진단 및 문제 해결을 위해 자동차 배터리의 전압을 읽습니다. 배터리 클램프가 연결되면 전압계는, 장치의 전원이 꺼져 있더라도 배터리(또는 배터리 시스템)의 전압을 자동으로 읽습니다. 전압계는 ~ 3V와 ~ 30V 사이의 전압을 읽습니다. 연결된 배터리가 3V 미만이면 아무 것도 표시되지 않습니다. 전압이 낮은 경우 전조등 및 에어컨 팬과 같은 배터리에 부하가 존재하는 가능성이 있으며, 차량에 시동을 걸기 전에 이들을 차단해야/꺼야 합니다. 장치가 켜져 있고 배터리가 감지된 후 전압계에 60 초 시간 초과 카운트 다운이 표시됩니다.

9.) Boost LED: Boost를 사용하면 흰색이 켜집니다. 장치가 배터리에 올바르게 연결되면, GB251이 자동으로 배터리를 감지하고 Boost 모드가 시작됩니다(수동 조작 기능이 활성화된 경우 LED가 흰색으로 깜박입니다).

10.) 수동 조작 버튼: 활성화하려면 삼(3)초 동안 길게 누릅니다. 경고: 안전 보호를 비활성화하고 수동으로 Boost 를 "On"으로 설정합니다. 배터리 전압이 너무 낮아 감지 할 수 없을 때만 사용하십시오.

문제 해결

오류	원인/해결책
오류 LED: 고정 빨간색	역극성/ 배터리 연결을 반대로 하십시오.
오류 LED: 깜빡이는 빨간색 w/ 케이블이 올바르게 연결	배터리 클램프에 합선이 감지되었습니다. / 전문가에게 배터리 점검을 받으십시오.
1회 깜빡임	배터리 클램프에 합선이 감지되었습니다. / 모든 부하를 제거하고 클램프를 배터리에 다시 연결하세요.
⚡ 더블 (2) 플래시	클램프에서 고전압이 감지되었습니다 (GB251은 24V보다 큰 전압 시스템에 연결됨).
쿼드 러플 (4) 플래시	충전 시간 초과 오류 (즉, GB251이 너무 오랫동안 대량 충전되었습니다)
5 배 (5) 플래시	XGC OUT 과전류 (즉, XGC OUT 포트에서 15A 이상을 끌어 옴)
6 배속 (6) 플래시	BMS (배터리 관리 시스템) 오류. (지우려면 GB251 전원을 "꺼졌다"다시 "켜십시오."문제가 지속되면 고객 지원에 문의하십시오.)
햇 LED: 고정	장치가 완전히 작동하지만, 온도 상한점에 접근하고 있습니다. / 장치를 식히십시오.
+ 햇 LED: 깜빡임	장치가 너무 뜨거워서 바로 시작할 수 없습니다.이 상태에서는 손전등 만 사용할 수 있습니다. / 장치를 식히십시오.
햇 LED: 깜빡이다가 모든 LED 꺼짐	장치가 점프 스타트 또는 다른 기능을 사용하기에 너무 뜨겁습니다. / 장치를 식힌 다음, 장치를 더 시원한 곳으로 옮기십시오.
콜드 LED: 고정	장치가 완전히 작동하지만, 온도 하한점에 접근하고 있습니다. / 장치를 따뜻하게 합니다.
❄ 콜드 LED: 깜빡임	장치가 너무 차가워서 점프를 시작할 수 없습니다.이 상태에서는 손전등 만 사용할 수 있습니다. / 장치가 예열되도록 합니다.
콜드 LED: 깜빡이다가 모든 LED 꺼짐	장치가 점프 스타트 또는 다른 기능을 사용하기에 너무 차갑습니다. / 장치를 따뜻하게 한 다음, 장치를 더 따뜻한 곳으로 옮기십시오.
Boost 라이트가 들어오지 않음 케이블이 올바르게 연결된 경우	연결된 배터리가 3V 미만/ 모든 부하를 제거한 후 다시 시도하거나, '수동 조작 모드'를 사용하십시오.

기술 사양

내부 배터리: 137Wh 리튬 이온	12V (입력): 12V/5A (최대 14V)
피크 전류 정격: 3000A	12V (출력): 12V, 최대 15V
작동 온도: -20°C ~ +50°C	배터리 보호: IP65 (w/포트 닫힘)
충전 온도: 0°C ~ +40°C	냉각: Natural Convection
보관 온도: -20°C ~ +50°C (평균 온도)	크기 - 길이(L)x폭(W)x높이(H): 31.75 x 20.83 x 3.39 센티미터
USB (출력): 5V, 2.1A	무게: 6.19 킬로그램 (13.65 lb)

NOCO - 일(1)년 제한적 보증.

The NOCO Company("NOCO")는, 이 제품(이하 "제품")에 대해 소재 및 제조기술에 결함이 없음을 구입 날짜로부터 일(1)년 동안("보증 기간") 보증합니다. 보증 기간 동안 보고된 결함에 대해서, NOCO는 자체 판단에 따라 그리고 NOCO의 기술 지원 분석에 따라, 결함이 있는 제품을 수리 또는 교체해 드립니다. 교체 부품 및 제품은 원래의 부품에 기능과 성능에 필적하는 신품 또는 사용 가능한 중고품으로, 원래 보증 기간의 잔여 기간 동안 보증합니다.

하기 명시된 NOCO의 책임은 교체 또는 수리에 한하여 명시적으로 제한됩니다. 법률이 허용하는 최대 한도 내에서 NOCO는, 이익 손실, 재산 피해 또는 인적 상해를 포함하되 이에 국한되지 않는 모든 특별 손해, 간접적, 파생적 또는 징계적 손해에 대해, NOCO가 그러한 손해의 가능성에 대해 알고 있었다 하더라도, 어떠한 방식으로든 제품 구매자 또는 제3자에게 책임을 지지 않습니다. 여기에 명시된 보증은 상품성 및 특정 목적에의 적합성에 대한 묵시적인 보증을 포함하여, 명시적 또는 묵시적 보증을 제외한 모든 명시적, 묵시적, 법적 또는 기타 보증을 대신하며 취급, 사용 또는 거래의 과정에서 기인하는 모든 보증을 대신합니다. 배제되거나 수정할 수 없는 적용 법률에 따라 보증이나 조건 또는 의무가 부과된 경우, 이 조항은 해당

법률에서 허용하는 최대한의 범위에 적용됩니다.

이 제한적 보증은 NOCO, NOVO 승인 재판매자 또는 유통업자로부터 구매한 최초 구매자에 한하고, 다른 사람이나 단체에 적용되지 않으며, 할당 또는 양도할 수 없습니다. 보증 청구를 주장하기 위해 구매자는 다음을 수행해야 합니다: (1) support@no.co로 이메일을 보내거나 1.800.456.6626로 전화하여, NOCO 지원센터로부터 물품반송승인서("RMA") 번호 및 반송위치정보("반송 위치")를 요청하십시오; 그리고 (2) 영수증 또는 결함 있는 제품의 MSRP의 45%의 보증 수수료("보증 수수료")(영수증을 제출하지 않은 경우에만 수수료가 부과됩니다)를 "반송 위치"로 보냅니다[RMA에는 적용가능한 보증 수수료 금액 내용이 포함됩니다]. 먼저 NOCO 지원센터로부터 RMA를 받지 않은 경우, 제품을 보내지 마십시오.

보증 서비스를 위해 제품을 발송을 위한 모든 포장 및 운송 비용은 최초 구매자가 지불해야 합니다(그리고 반드시 선불로 지불).

위의 사항에도 불구하고, 다음과 같은 경우에는 이 제한적 보증은 무효이며 적용되지 않습니다. 제품: (a) 부주의한 취급으로 오용되거나, 또는 안전하고 효과적인 사용을 위한 NOCO의 권장사항을 넘어서 극한 온도, 충격, 또는 진동의 조건에서 작동되었을 경우; (b) 부적절하게 설치, 작동, 또는 유지되지 않은 경우; (c) NOCO의 서면동의 없이 수정된 경우; (d) NOCO가 아닌 다른 사람(업체)에 의해 분해, 수정 또는 수리된 경우; (e) 보증 기간 이후에 결함이 보고된 경우.

제한적 보증 제외 항목: (1) 일반적 마모; (2) 기능에 영향을 주지 않는 외관상 손상; 또는 (3) NOCO 일련번호가 누락, 변경 또는 훼손된 제품.

편리한 보증 조건

이 조건들은 보증 기간이 남아있는 제품에만 적용됩니다. 편리한 보증은 구매일로부터 시간이 경과했거나(구매를 증명할 수 없는 경우, 일련번호 일자로부터) 앞서 나열한 조건에 해당하는 경우 무효입니다. 제품을 서류와 함께 반환하세요.

영수증이 있는 경우:

1년 무상. 구매를 증명할 수 있으므로 보증 기간의 시작은 구매일이 됩니다

영수증이 없는 경우:

1년 무상. 구매를 증명할 수 없기에 보증 기간의 시작은 일련번호에 적힌 날짜가 됩니다.

온라인에서 NOCO 제품을 등록할 수 있습니다: no.co/register. 보증 또는 제품과 관련하여 질문이 있으시면 NOCO 지원(위의 이메일 및 전화번호)에 문의하거나 다음 주소로 문의하십시오: The NOCO Company, at 30339 Diamond Parkway, #102, Glenwillow, OH 44139 USA.

NOCO BOOST[®] MAX[™] GB251+



危险

用户指南及产品保证



使用本产品前请详阅所有安全守则。请遵守安全守则，否则可能酿成以下后果：触电、爆炸、火灾，因而严重人身伤害、死亡、或财物损失。



触电。 本产品乃电器用品，如使用不当，可能引起触电而造成严重人身伤害。切勿切断电源线。切勿弄湿或把本产品浸泡水中。



爆炸。 本产品用在未经监管、不兼容、损坏的电池上可能会引起爆炸。使用本产品时必须有人在旁。切勿尝试发动已经损毁或已经冻结的电池。本产品只可用在推荐电压的电池上。请在空气流通之处使用本产品。



火灾。 本产品乃可产生高热的电器，可能会导致烫伤。请勿用异物掩盖本产品。使用本产品时，请勿吸烟或接近任何电火花或火焰源头。切勿把本产品安置在任何易燃物附近。



眼睛受伤。 操作本产品时，请佩戴护目镜。电池一旦爆炸，碎片可能四处飞溅。电池酸液可刺激眼睛及皮肤。假如不慎让电池酸液接触到眼睛或皮肤，请马上用清洁流水冲洗接触部位并且通知毒物控制中心。



爆炸性气体。 在铅酸液体附近作业十分危险。即使电池运作正常，亦会产生爆炸性气体。为降低电池爆炸的危险性，请严格遵守所有本产品的安全指引、电池生产商以及其他阁下准备在电池附近使用的所有装置的生产商所印发的安全指引。请留心细看发动机上以及这些装置上印有的注意图示。

中文

详细资料以及客户服务请
浏览：

www.no.co/support

重要安全警告

注意

手动模式禁用所有安全措施。如果使用不当和/或未按我们推荐的用法操作，可能会导致伤害或死亡，并使您享有的质保失效。有发生火灾、爆炸和灼伤的危险。请勿拆卸、挤压、加热至60°C (140°F)以上或焚烧。本设备可在户外临时使用，在潮湿条件下使用时应格外小心。

警告

内部电池切勿充电过度。参见使用说明书。不要在电源组附近吸烟、点火柴或引起火花。不用时，只能在通风良好的区域对内部电池充电。

注意

有发生人身伤害的危险。如果电源线或电池电缆有任何损坏，请不要使用本产品。本设备不适用于商业维修设施。不用时，本设备应放在室内。不用时，不得将本设备放在室外。

【加州65号提案】 电池极柱、端子、以及有关配件均含有化学物质，包括铅。加州政府认定以上物品能导致癌症、先天性缺陷以及其他生殖系统损害。 **个人使用注意事项。** 本产品只能在拟定用途上使用。为预防紧急情况，请在他人能听见使用者呼救或在能马上营救使用者的邻近地点使用本产品。预防电池酸液溅伤，请在作业现场预先准备清洁水源及肥皂。在电池附近作业时请佩戴完备的护目镜及防护服。处理电池及有关物质后必须洗净双手。进行有关电池的工作时切勿处理或佩戴包括工具、手表、饰物在内的任何金属物件。万一金属物件跌落电池上，可能会激发火花或引起短路，导致能造成人身伤害、死亡或财物损失的触电、火灾、爆炸。 **未成年使用者。** 如“购买者”打算让未成年人使用本产品，购买本产品的成年人必须同意在任何未成年人使用本产品之前，向该当未成年人提供详细指引及警告。如“购买者”未能遵守此一条款，“购买者”必须负上全责，并且同意如该当未成年使用者误用或滥用本产品，将保障NOCO不会因而蒙受损失。 **窒息危险。** 本产品配件有潜在儿童窒息危险。切勿在没有成年人监管的情况下让儿童接触本产品及任何配件。本产品并非玩具。 **处理。** 请小心处理本产品。碰撞可能损毁本产品。切勿使用包括外壳有裂痕或电线损毁等损毁的产品。切勿把有损毁的电源线与本产品一起使用。潮湿和液体可能会损毁本产品。切勿在任何

液体附近处理本产品或任何电气部件。请在干燥环境下操作及储存本产品。如本产品被沾湿，切勿操作本产品。如本产品在操作中被沾湿，请马上切断与汽车电池的连接及停止使用。切断连接时切勿拉扯电线。改装。切勿尝试更改、改装或修理本产品任何部分。分解本产品可以导致人身伤害、死亡或财物损失。如本产品已经损毁、发生故障、或接触过任何液体，请停止使用并通知NOCO。任何对本产品的改动将令保证失效。

配件。 本产品只认可与NOCO原厂配件一起使用。如与非NOCO认可配件一起使用，NOCO对使用者的安全或损伤概不负责。

使用地点。 避免让电池酸液接触本产品。切勿在密室内或空气不流通的地方操作本产品。切勿把电池放在本产品上。安放电缆在不会意外被可活动的汽车零件（包括发动机罩及车门）、发动机零件（包括风扇叶、皮带、和皮带轮）损毁、以及能避开其他可能导致人身伤害或死亡的潜在危险物的位置。

操作温度。 本产品设计在摄氏零下20度至50度的温度中操作。切勿在此温度范围外操作本产品。切勿发动已经冻结的电池。如电池过热，请马上停止使用本产品。

储存。 切勿在多尘或多浮游粒子的环境下使用或储存本产品。请在平坦、不容易掉下的稳定的平面存放本产品。在干燥的地点存放本产品。存放温度为摄氏零下20度至50度之间（平均温度0°C至+25°C）。无论如何切勿存放在温度超过摄氏80度的环境下。

兼容性。 本产品只对应12V铅酸电池系统。请勿尝试把本产品用在其他种类的电池上。发动其他种类的电池化学物质有可能导致人身伤害、死亡或财物损失。发动电池前，请先与该电池生产商联系。如不确定电池的化学品种类或电压，请勿发动电池。

电池。 本产品内置的锂离子电池必须由NOCO替换，废电池必须跟家居垃圾分开回收或丢弃。请勿尝试自己更换内置电池，不要自己处理已经损坏或漏液的废电池。切勿把废电池与家居垃圾一起丢弃。把废电池和家居垃圾一起丢弃是违反联邦政府及州政府环境保护条例的非法行为。请把废电池送到当地的电池回收中心。如本产品的电池异常高温、发出异味、变形、裂开，或有其他异常现象，请马上停止使用并通知NOCO。

充电。 请使用随机附送的12V直流车载充电器或XGC4壁式充电器为本产品充电。请勿使用通用类或第三方的电源适配器，因为它们可能带来严重的电气风险，损害人身、设备和财物。使用损坏的电缆或充电器，或者在有湿气时充电，都可能导致触电。当使用未经NOCO批准的附件或电源时，NOCO不对用户安全、设备损坏或财物损失承担任何责任。使用XGC4壁式充电器时，请先确保交流插头已完全插入适配器，然后再将交流插头插入电源插座。电源适配器在正常使用过程中可能变热，长时间与皮肤接触可能会造成人身伤害。使用时，电源适配器周围应始终保持足够的通风。为确保最长的电池寿命，不要一次给本产品充电超过一周，因为过度充电可能会缩短电池寿命。随着时间的推移，

本产品未使用时将会放电，在使用前必须重新充电。不使用时，请将本产品与电源断开。本产品仅限用于其预期用途。

医疗装置。 本产品可能会发放电磁场。本产品装有可能干扰心脏起搏器、心律除颤器以及其他医疗装置的电磁零件。电磁场可能会干扰心脏起搏器及其他医疗装置。如阁下正在使用包括心脏起搏器的任何医疗装置，使用本产品前请咨询医生的意见。假如阁下感觉本产品可能会干扰到医疗装置，请马上停止使用本产品，并咨询医生的意见。

医疗情况。 假如阁下有包括痉挛、眼前发黑、双目酸痛、头痛及其他疾患，感觉本产品对阁下有可能造成影响，使用本产品前请先咨询医生的意见。使用综合大功率手电筒对畏光患者可能有潜在危险。闪光灯模式可能会触发光敏感性癫痫症患者发生痉挛，而导致严重人身伤害或死亡。

灯光。 直接目视强光可能对眼睛造成永久性伤害。本产品配装高功率LED预聚焦灯，但设定至最强时可发出强烈光线。

清洁。 进行任何保养或清洁工作前，请先切断本产品的电源。如本产品曾接触液体或其他污染物，请马上清洁及抹干本产品。请使用不起毛（超细纤维）软布。请勿让开口处接触水分。

易爆气体环境。 请遵守所有标示及指引。切勿在潜在易爆气体环境下操作本产品，包括加油区或带有化学物或谷物、尘埃、或金属粉末等的地点。

高度危险性活动。 请勿在如产品故障有可能导致人身伤害、死亡、或严重破坏环境的地点使用本产品。

无线电频率干扰。 本产品根据无线电频率条例设计、测试、和制造。本产品发出的无线电频率有可能对其他电子装置的操作造成负面影响及使其发生故障。

型号：GB251本装置符合FCC Part 15条例。操作本装置必须符合以下两个条件：（1）本装置不可造成有害干扰，（2）本装置必须能承受任何干扰，包括有可导致不良操作的干扰。注：本装置经过测试，证明符合FCC Part 15条例对A类数码装置所规定的限制。此项限制的设计是为了保护在商业环境中操作的装置尽量不受有害干扰。本装置产生、使用、并且能发出无线电频率能量。安装及使用本装置时，请务必遵守说明书，否则可能对无线电通讯造成有害干扰。在住宅区操作本装置很可能会造成有害干扰，使用者需要自费修正所造成的干扰。

使用方法：

第一步：把GB251充电。

刚开箱的GB251只有部分充电，使用前必须充满电。使用随机附送的12V直流车载充电器或XGC4壁式充电器将GB251与12V IN插口连接。GB251的充电所需时间视充电时的内置电池所余电力及电源种类而定。实际结果可能会由于电池的个别情况及其所余电力而变动。

充电时，内置电池的充电量由充电LED灯显示。LED灯将缓缓闪动，然后逐颗灯光停止闪动，直至全部4颗充电LED灯均亮起。但内置电池充满电后，绿色的100% LED灯将会亮起，而25%，50%，75%的充电LED灯将会熄灭。绿色的100% LED灯偶尔会闪动，显示正在进行维护充电。

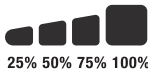
第二步：把本产品与电池连接。

请仔细阅读及理解汽车用户说明书中列出的对起动该汽车时的特定注意事项及推荐的起动方法。使用本产品前，请查阅汽车电池生产商的用户说明书，确认电池的电压及其化学品种类。GB251只能发动24V铅酸电池系统。与电池连接前，请先确认阁下使用的是24V铅酸电池系统。GB251不适合发动其他种类的电池。正确辨认汽车电池的正负端子。电池的正极端多数标有以下字母或图形（POS, P, +）。电池的负极端多数标有以下字母或图形（NEG, N, -）。切勿把本产品与化油器、供油管或薄片金属零件连接。以下指引适用于负极接地线系统（最常见）。如阁下的汽车采用的是正极接地线系统（罕见），请查阅汽车用户说明书，了解正确起动指引。

- 1.) 将正极（红色）电池夹连接到正极（POS、P、+）电池端子，将负极（黑色）电池夹连接到负极（NEG、N、-）电池端子或车辆底盘。

充电时间：	充电器电流设定：
5hr	56W

内置电池电量



第三步：发动汽车。

- 1.) 发动汽车前，请确认汽车所有消耗电力的设备（车头灯、收音机、空调等）已经全部关上。
- 2.) 按下本产品的电源按钮，开始发动汽车，所有LED灯将会闪动一次。如与电池连接正常，白色的起动LED灯将会亮起，电池充电LED灯亦会亮起。检测到电池后，将立即开始60秒超时倒计时。
- 3.) 尝试起动汽车。大部分汽车马上可以起动。有些汽车需要GB251连接30秒以上才能起动。如汽车未能马上起动，请等候20至30秒后再试。切勿在15分钟内连续尝试起动汽车超过5次。请让GB251休止15分钟后再尝试起动汽车。
- 4.) 汽车起动后，请把电池夹子取下，把GB251移走。

60秒超时。

一旦检测到电池，将立即启动60秒倒计时。60秒后，跨接启动功能将被禁用。升压LED将熄灭，内部电池充电LED将指示设备的当前充电水平。若要重置跨接启动功能，请按电源按钮，关闭设备电源。再次按电源按钮，打开设备电源并重启跨接启动功能。

注意事项。

使用手动超控模式时，禁用60秒超时。当手动超控激活时，将继续供电。为了最大限度地增加跨接启动次数，建议在车辆启动后立即关闭升压装置。

低电压电池以及手动超控。

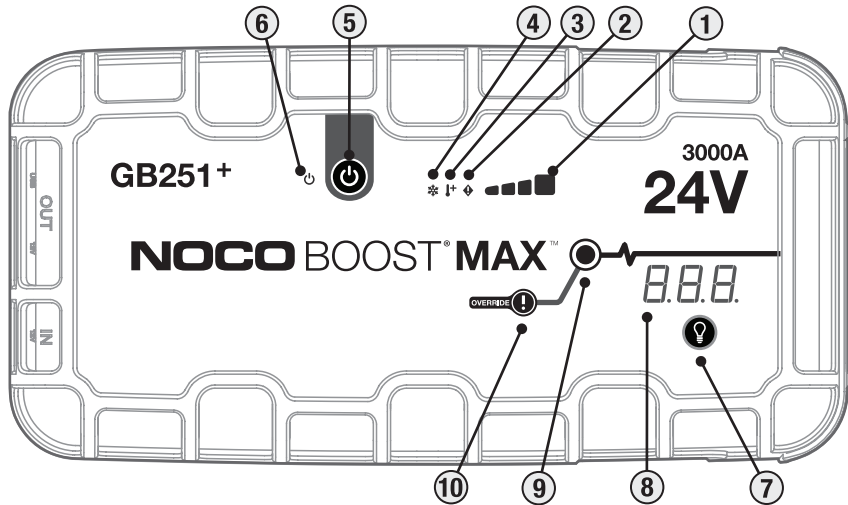
GB251只能发动24V铅酸电池系统，最低对应电压是2V。如阁下的汽车电池电压低于2V，起动LED将不会亮起。这表示GB251感应不到已经连接的电池。如阁下必须发动低于2V的电池，可以使用本产品的手动超控功能，让您强制激活发动功能。如果电池电压低于2V，起动LED灯将不会亮起，电压表亦不会显示电压。

注意事项。

使用手动超控模式时请特别小心。本功能只能用于24V铅酸电池系统。火花预防功能及正负极端子错误保护功能均会关闭。使用手动超控模式前，请正确辨认电池的正负极端子。切勿让本产品的正负极电池夹子互相触碰或夹在一起，否则会引起火花。本模式使用极高电流（高达3000安培），如使用不当可能会引起火花及高热。假如阁下不清楚本模式的使用方法，请寻求专业协助，切勿自己尝试。

给USB和12V设备供电。

GB251有两个USB-OUT插口和一个12V OUT插口（12V AUX/点烟器插口）。插入任何标准USB设备或12V设备（高达15安培），然后打开GB251，开始为设备供电。



接口

- 1.) **内置电池电量** 显示内置电池的充电量。
- 2.) **错误显示灯** 如果检测到极性相反，则以红色亮起，或者以各种顺序（从1到6次闪烁）闪烁“开”和“关”以传达错误情况。
- 3.) **高温LED灯** 红色显示灯亮起，表示本产品运作完全正常，但已接近最高温度限制。红色闪烁；设备太热而无法启动，在此状态下只有手电筒可用。
- 4.) **低温LED灯** 发出稳定的蓝色光；设备已完全运行，但接近温度下限。呈蓝色闪烁；设备太冷而无法启动，在此状态下只有手电筒可用。
- 5.) **电力按钮** 开关本产品的按钮。
- 6.) **电力显示灯** 本产品启动后白色的电力显示灯将会亮起。在60秒钟的倒计时结束后，橙色指示灯会一直亮起，直到从汽车电池上取下固定夹或将GB251断电并重新打开后再打开。
- 7.) **灯光模式转换钮** 此按钮可转换超高亮LED灯的7种灯光模式：100% > 50% > 10% > SOS求救讯号 > 闪动 > 快速闪动 > 关灯
- 8.) **电压表/倒数计时器** 内置电压表显示汽车电池的电压读数，提供最佳的诊断及故障处理。当电池两极夹子连接到电池上，即使不起动本产品，电压表亦能自动读取任何电池（或电池系统）的电压数据。电压表将读取3V至30V之间的电压数据。如连接的电池电压低于3V，将不会显示数据。电压低至此，很可能是由于及空调汽车雾灯、空调风扇等起动汽车前必须全部关上的装置在消耗电力。当本机打开且检测到电池后，电压表将显示60秒超时倒计时。
- 9.) **起动功能显示灯** 起动功能被激活后白色的起动功能显示灯将会亮起。如本产品与汽车电池的连接正常，GB251将会自动感应电池而进入起动模式（手动超控启动后，白色的起动能显示灯将会闪动）。
- 10.) **手动超控钮** 长按手动超控钮3秒钟将会启动手动超控模式。 **警告：此模式将停止安全保护功能并强制激活起动功能。仅在电池电压过低而无法检测到时使用。**

常见问题及解决方法

错误	原因/解决方法
错误显示灯: 红色显示灯亮起	电池正负极倒置/倒转电池正负极连接。
错误显示灯: 红色显示灯闪烁而夹线连接正确	在电池夹上检测到短路。/ 由专业人员检查电池。
单 (1) 闪	在电池夹上检测到短路。/ 移除所有负载, 重新连接电池夹。
❖ 双 (2) 闪光灯	在钳夹处检测到高电压 (GB251连接到大于24V的电压系统)。
四倍 (4) 闪存	充电逾时错误 (即GB251大量充电时间过长)
五元组 (5) 闪存	XGC OUT过电流 (即从XGC OUT端口汲取超过15安培的电流)
Sextuple (6) 闪烁	BMS (电池管理系统) 故障。(将GB251的电源关闭, 然后再次打开以清除。如果问题仍然存在, 请联系客户支持)
⚡+ Hot LED: 亮起	本产品运作完全正常, 但已接近最高温度限制。/ 请让装置冷却。
⚡+ Hot LED: 闪烁	设备太热而无法启动, 在此状态下只有手电筒可用。/ 让设备冷却。
⚡+ Hot LED: 闪烁后所有LED显示灯 熄灭	装置温度太高, 不可发动电池, 亦不能使用其他功能。/ 请让装置冷却, 把装置搬到较清凉的环境。
❄️ Cold LED: 亮起	本产品运作完全正常, 但已接近最低温度限制。/ 请让装置温度提升。
❄️ Cold LED: 闪烁	设备太冷而无法启动, 在此状态下只有手电筒可用/允许设备预热。
❄️ Cold LED: 闪烁后所有LED显示灯 熄灭	装置温度太低, 不可发动电池, 亦不能使用其他功能。/ 请让装置温度提升, 把装置搬到较和暖的环境。
起动功能显示灯没有亮起而夹线连接正确	已连接的电池电压低于3-volts/请移除所有消耗电力的装置后再试, 或者使用手动超控模式。

技术规格

内置电池: 137Wh 锂离子	12V (输入): 12V/5A (14V 最大)
额定峰值电流: 3000A	12V (输出): 最大12V, 15V
操作温度: -20°C 至+50°C	外壳保护: IP65 (连接埠关闭时)
充电温度: 0°C 至+40°C	冷却: 自然对流
储存温度: -20°C 至+50°C (平均温度)	尺寸 (长x阔x高): 31.75 x 20.83 x 3.39 公分
USB (输出): 5V, 2.1A	重量: 6.19 公斤 (13.65 lb)

NOCO 一年保用证明。

The NOCO Comany (下称“NOCO”) 提供从购买日开始一年的保用期间 (下称“保用期间”), 保证本产品 (下称“产品”) 的质料及制作均无任何缺陷。在保用期间内如发现缺陷, NOCO将按情况及NOCO的技术支援分析结果决定修理或交换有缺陷的产品。交换的零件及产品将为在功能和性能上与原来零件同等的全新或可使用的二手商品, 在余下的原有保证期间内继续获得保证。

NOCO的法律责任明确地限于交换或修理。在法律允许的最大程度内, 本产品的购买者或第三者就任何特殊、间接、相应或惩戒性损害, 包括但不限于, 与产品有任何关连的损失利润、财物损失、或人身伤害, 无论其发生原因为何, 即使NOCO认知上述损失发生的可能性, NOCO毋须对此赔偿负责。此保证代替并排除所有其他明示、隐含、法定或其他保证, 包括但不限于隐含的可销售性及特殊用途合适性保证, 及因交易过

程、按惯例或业界常规而伴随的保证。如任何适用法例施加不能排除或更改的保证、条件或义务，本段内容将适用至该当法例可容许的最大范围内。

本有限保证只适用于从NOCO或NOCO认可的经销商或批发商购买本产品的原购买者，不可转授或转让。提出保证申诉时，购买者必须：(1) 向NOCO支援中心发出电子邮件，要求及获取退货（下称“RMA”）号码及退货地点资料（下称“退货地点”），电邮地址为support@no.co 亦可致电+1-800-456-6626，以及(2)把产品、RMA号码、收据、（如未能提交收据）或有缺陷的本产品的制造商建议零售价的45%的保证费（下称“保证费”）（RMA上将附有适用的保证费金额）一并送到退货地点。从NOCO支援中心获取RMA之前，切勿把产品送到退货地点。

原购买者必须负责（同时预付）把产品送出接受保证服务的所有包装及运送费用。

尽管如此，产品如有以下情况，本有限保证将失效及不再适用：(a) 被误用、处理不当、滥用或不小心使用、意外、储存方法不当、或在NOCO建议的安全有效使用条件以外的极端电压、温度、冲击、或振动下操作；(b) 曾被不恰当地安装、操作、或修护；(c) 未得NOCO的明确书面同意而进行改装；(d) 经过NOCO以外的任何人分解、改动、或修理；(e) 保证期限过后提出的产品缺陷。

此有限保证不包括：(1) 正常损耗；(2) 不影响性能的表面损伤；或(3) NOCO的产品编号失落、经过改动、或毁损。

无忧质保条件

这些条件仅适用于在质保期内的产品。无忧质保在自购买之日起（如果没有购买证明，则从序列号日期算起）的某段时间内有效，或须符合本文前面所列条件。请将产品及相关文件一并退回。

有收据:

1年: 免费。如有购买证明, 质保期自购买之日开始计算。

无收据:

1年: 免费。如果没有购买证明, 质保期自序列号日期开始计算。

阁下可在网上登记您的NOCO产品, 网址为: no.co/register。假如阁下对保证或本产品有任何疑问, 请联络NOCO支援中心 (使用上列的电邮地址及电话号码) 或来函本公司地址: The NOCO Company, 30339 Diamond Parkway, #102, Glenwillow, OH 44139 USA

NOCO BOOST[®] MAX[™] GB251+



危險

用戶指南及產品保證



使用本產品前請詳閱所有安全守則。請遵守安全守則，否則可能釀成以下後果：**觸電、爆炸、火災，因而嚴重人身傷害、死亡、或財物損失。**



觸電。 本產品乃電器用品，如使用不當，可能引起觸電而造成嚴重人身傷害。切勿割斷電源線。切勿弄濕或把本產品浸泡水中。



爆炸。 本產品用在未經監管、不兼容、損壞的電池上可能會引起爆炸。使用本產品時必須有人在旁。切勿嘗試發動已經損毀或已經凍結的電池。本產品只可用在推薦電壓的電池上。請在空氣流通之處使用本產品。



火災。 本產品乃可產生高熱的電器，可能會導致燙傷。請勿用異物掩蓋本產品。使用本產品時，請勿吸煙或接近任何電火花或火焰源頭。切勿把本產品安置在任何易燃物附近。



眼睛受傷。 操作本產品時，請佩戴護目鏡。電池一旦爆炸，碎片可能四處飛濺。電池酸液可刺激眼睛及皮膚。假如不慎讓電池酸液接觸到眼睛或皮膚，請馬上用清潔流水沖洗接觸部位並且通知毒物控制中心。



爆炸性氣體。 在鉛酸液體附近作業十分危險。即使電池運作正常，亦會產生爆炸性氣體。為降低電池爆炸的危險性，請嚴格遵守所有本產品的安全指引、電池生產商以及其他閣下準備在電池附近使用的所有裝置的生產商所印發的安全指引。請留心細看引擎上以及這些裝置上印有的注意圖示。

漢語

詳細資料以及客戶服務請
瀏覽：

www.no.co/support

重要安全警告

注意

手動模式將停止所有安全措施。如果使用不當和/或違反我們建議的使用方式，可能會導致人身傷亡，亦會使你的保修失效。產品有起火、爆炸和灼傷的危險。請勿拆卸、擠壓、加熱超過60°C (140°F) 或焚燒本產品。本裝置擬作室外臨時使用，在潮濕環境下使用本裝置時應格外小心。

警告

千萬不可對內部電池過度充電。請參閱使用說明書。不要在電源組件附近吸煙、點火柴或引發火花。只可在非使用產品時，於通風良好的地方為內部電池充電。

注意

可引發人身傷害風險。如果電源線或電池纜線有任何損壞，請不要使用本產品。本設備不適用於商業維修場所內使用。本設備在非使用時應存放在室內。非使用時不得將本設備存放或放置於室外。

【加州65號提案】 電池極柱、端子、以及有關配件均含有化學物質，包括鉛。加州政府認定以上物品能導致癌症、先天性缺陷以及其他生殖系統損害。 **個人使用注意事項** 本產品只能在擬定用途上使用。為預防緊急情況，請在他人能聽見使用者呼救或在能馬上營救使用者的鄰近地點使用本產品。預防電池酸液濺傷，請在作業現場預先準備清潔水源及肥皂。在電池附近作業時請佩戴完備的護目鏡及防護服。處理電池及有關物質後必須洗淨雙手。進行有關電池的工作時切勿處理或佩戴包括工具、手錶、飾物在內的任何金屬物件。萬一金屬物件跌落電池上，可能會激發火花或引起短路，導致能造成人身傷害、死亡或財物損失的觸電、火災、爆炸。 **未成年使用者。** 如「購買者」打算讓未成年人士使用本產品，購買本產品的成年人必須同意在讓任何未成年人士使用本產品之前，向該當未成年人士提供詳細指引及警告。如「購買者」未能遵守此一條款，「購買者」必須負上全責，並且同意如該當未成年使用者誤用或濫用本產品，將保障NOCO不會因而蒙受損失。 **窒息危險。** 本產品配件有潛在兒童窒息危險。切勿在沒有成年人監管的情況下讓兒童接觸本產品及任何配件。本產品並非玩具。 **處理。** 請小心處理本產品。碰撞可能損毀本產品。切勿使用包括外殼有裂痕或電線損毀等損毀的產品。切勿把有損毀的電源線與本產品一起使用。潮濕和液體可能會損毀本產品。切

勿在任何液體附近處理本產品或任何電氣部件。請在乾燥環境下操作及儲存本產品。如本產品被沾濕，切勿操作本產品。如本產品在操作中被沾濕，請馬上切斷與汽車電池的連接及停止使用。切斷連接時切勿拉扯電線。 改裝。切勿嘗試更改、改裝或修理本產品任何部分。分解本產品可以導致人身傷害、死亡或財物損失。如本產品已經損毀、發生故障、或接觸過任何液體，請停止使用並通知NOCO。任何對本產品的改動將令保證失效。 **配件。** 本產品只認可與NOCO原廠配件一起使用。如與非NOCO認可配件一起使用，NOCO對使用者的安全或損傷概不負責。 **使用地點。** 避免讓電池酸液接觸本產品。切勿在密室內或空氣不流通的地方操作本產品。切勿把電池放在本產品上。安放電纜在不會意外被可活動的汽車零件（包括車頭蓋及車門）、引擎零件（包括扇片、皮帶、和滑輪）損毀、以及能避開其他可能導致人身傷害或死亡的潛在危險物的位置。 **操作溫度。** 本產品設計在攝氏50度至零下20度的溫度中操作。切勿在此溫度範圍外操作本產品。切勿發動已經凍結的電池。如電池過熱，請馬上停止使用本產品。 **儲存。** 切勿在多塵或多浮游粒子的環境下使用或儲存本產品。請在平坦、不容易掉下的穩定的平面存放本產品。在乾燥的地點存放本產品。存放溫度為攝氏50度至零下20度之間（平均溫度0°C至+25°C）。無論如何切勿存放在溫度超過攝氏80度的環境下。 **兼容性。** 本產品僅與12伏特鉛酸蓄電池系統兼容。切勿嘗試使用其他類型的電池來運作本產品。跨接啟動其他電池化學成分可能導致人身傷害、死亡或財產損失。在嘗試跨接啟動電池之前，請先聯絡該電池的製造商。如果不肯定電池的具體化學性質或電壓，切勿跨接啟動電池。 **電池。** 本產品內置的鋰離子電池必須由NOCO替換，廢電池必須跟家居垃圾分開回收或丟棄。請勿嘗試自己更換內置電池，不要自己處理已經損壞或漏液的廢電池。切勿把廢電池與家居垃圾一起丟棄。把廢電池和家居垃圾一起丟棄是違反聯邦政府及州政府環境保護條例的非法行為。請把廢電池送到當地的電池回收中心。如本產品的電池異常高溫、發出異味、變形、裂開，或有其他異常現象，請馬上停止使用並通知NOCO。 **充電。** 使用隨附的12VDC車載充電器或XGC4壁式充電器為本產品充電。切勿使用通用或第三方的電源適配器，因為它們可能存在可致人身、設備和財產造成傷害的嚴重電氣風險。使用損壞的電纜或充電器，或在潮濕環境中充電，均可能導致觸電。如使用未經NOCO認可的配件或電源，NOCO將不會為用戶的安全、設備損壞或財產損失負上任何責任。使用XGC4壁式充電器時，確保將AC插頭完全插入電源適配器，然後才將充電器插入電源插座。在正常使用情況下，電源適配器或會變暖，而長時間與皮膚接觸或會導致身體損傷。在使用電源適配器期間，須確保其周圍一直有足夠的通風。為確保達到電池最長使用壽命，請避免每次為產品充電超過一周的時間，因為過度

充電可能會縮短電池壽命。產品在非使用狀態下將日漸流失電量，必須於使用前重新充電。在不使用產品的時候拔除電源。僅將本產品用於其預定用途。

醫療裝置。 本產品可能會發放電磁場。本產品裝有可能會干擾心律調節器、心律去顫器以及其他醫療裝置的電磁零件。電磁場可能會干擾心律調節器及其他醫療裝置。如閣下正在使用包括心律調節器的任何醫療裝置，使用本產品前請諮詢醫生的意見。假如閣下感覺本產品可能會干擾到醫療裝置，請馬上停止使用本產品，並諮詢醫生的意見。

醫療情況。 假如閣下有包括痙攣、眼前發黑、雙目酸痛、頭痛及其他疾患，感覺本產品對閣下有可能造成影響，使用本產品前請先諮詢醫生的意見。使用綜合大功率手電筒對畏光患者可能有潛在危險。閃燈模式可能會觸發光敏感性癲癇症患者發生痙攣，而導致嚴重人身傷害或死亡。

燈光。 直接目視強光可能對眼睛造成永久性傷害。本產品配裝高功率LED預聚焦燈，但設定至最強時可發出強烈光線。

清潔。 進行任何保養或清潔工作前，請先切斷本產品的電源。如本產品曾接觸液體或其他污染物，請馬上清潔及抹乾本產品。請使用不起毛（超細纖維）軟布。請勿讓開口處接觸水分。

易爆氣體環境。 請遵守所有標示及指引。切勿在潛在易爆氣體環境下操作本產品，包括加油區或帶有化學物或穀物、塵埃、或金屬粉末等的地點。

高度危險性活動。 請勿在如產品故障有可能導致人身傷害、死亡、或嚴重破壞環境的地點使用本產品。

無線電頻率干擾。 本產品根據無線電頻率條例設計、測試、和製造。本產品發出的無線電頻率有可能對其他電子裝置的操作造成負面影響及使其發生故障。

型號：GB251本裝置符合FCC Part 15條例。操作本裝置必須符合以下兩個條件：（一）本裝置不可造成有害干擾，（二）本裝置必須能承受任何干擾，包括有可導致不良操作的干擾。注：本裝置經過測試，證明符合FCC Part 15條例對A類數碼裝置所規定的限制。此項限制的設計是為了保護在商業環境中操作的裝置盡量不受有害干擾。本裝置產生、使用、並且能發出無線電頻率能量。安裝及使用本裝置時，請務必遵守說明書，否則可能對無線電通訊造成有害干擾。在住宅區操作本裝置很可能會造成有害干擾，使用者需要自費修正所造成的干擾。

使用方法：

第一步：把GB251充電。

GB251於出廠時已部分充電，在使用前需要完全充電。使用隨附的12V直流車載充電器或XGC4壁式充電器來連接GB251，插進12V IN端口。給GB251重新充電的時間將根據放電程度和所使用的電源而有所不同。實際結果可能因電池狀況和放電程度而異。

充電時，內置電池的充電量由充電LED燈顯示。LED燈將緩緩閃動，然後逐顆燈光停止閃動，直至全部四顆充電LED燈均亮起。但內置電池充滿電後，綠色的100% LED燈將會亮起，而25%，50%，75%的充電LED燈將會熄滅。綠色的100% LED燈偶然會閃動，顯示正在進行維護充電。

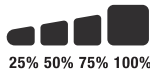
第二步：把本產品與電池連接。

仔細閱讀車主使用手冊，了解關於跨接啟動車輛的具體注意事項和建議方法。在使用本產品前，務必參考電池使用說明書，以確定電池的電壓和化學性質。GB251僅適用作跨接啟動24伏特鉛酸蓄電池系統。在連接電池之前，核實你所擁有的是24伏特鉛酸蓄電池系統。GB251不適合任何其他類型的電池。正確辨認電池的正負極。電池的正極通常以這些字母或符號（POS、P、+）來標識。電池的負極通常以這些字母或符號（NEG、N、-）來標識。切勿與化油器、燃油管或薄片金屬零件作任何連接。以下說明是關於負極接地系統（最常見）。如果你的車輛是正極接地系統（非常罕見），查閱車輛的說明書以獲取正確的跨接啟動指示。

- 1.) 將正極（紅色）電池夾連接至正極（POS、P、+）電池端子，並將負極（黑色）電池夾連接至負極（NEG、N、-）電池端子或車輛底盤。

充電時間：	充電器電流設定：
5hr	56W

充電LED燈



第三步：發動汽車。

- 1.) 發動汽車前，請確認汽車所有消耗電力的設備（車頭燈、收音機、空調等）已經全部關上。
- 2.) 按下電源按鈕以開始跨接啟動，所有LED燈將閃爍一次。如果與電池的連接正確，白色的起動LED燈將亮起，電池充電的LED燈將閃動。檢測到電池時，60秒的倒計時將隨即開始。
- 3.) 嘗試起動汽車。大部分汽車馬上可以起動。有些汽車需要GB251連接30秒以上才能起動。如汽車未能馬上起動，請等候20至30秒後再試。切勿在15分鐘內連續嘗試起動汽車超過5次。請讓GB251休止15分鐘後再嘗試起動汽車。
- 4.) 汽車起動後，請把電池夾子取下，把GB251移走。

60秒倒計時

一旦檢測到有電池連接，60秒倒計時便會開始。經過60秒後，搭電啟動功能將會停止運作，Boost LED指示燈將熄滅，內部電池的充電指示燈會指示設備目前的充電水平。要重置搭電啟動功能，請按電源按鈕以關閉設備電源。再次按電源按鈕啟動裝置電源，然後重新開啟搭電啟動功能。

注意事項。

使用人工操作時，60秒倒計時將停止運作。手動操作處於活動狀態時，將繼續提供電源。為了盡量提高搭電啟動的次數，建議在車輛啟動後，盡快關閉Boost裝置。

低電壓電池以及手動超控。

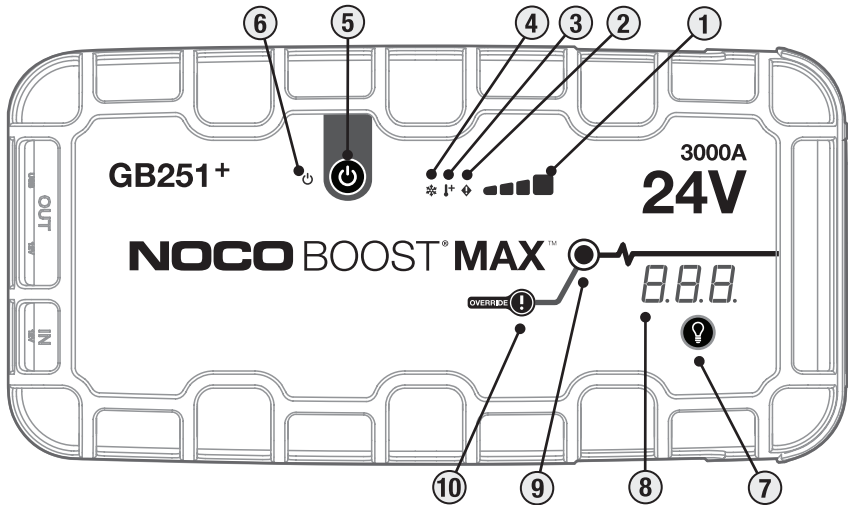
GB251的設計用於跨接啟動電壓降低至2伏特的24伏特鉛酸蓄電池系統。如果你的電池電壓低於2伏特，起動LED燈將「關閉」。這表示GB251不能檢測到電池。若你需要對低於2伏特的電池進行跨接啟動，可使用手動超控功能，此功能使你可以強行「開啟」跨接啟動功能。如果電池電壓低於2伏特，起動LED燈將不會亮起，而伏特計也不會顯示電壓。

注意事項。

使用此模式時要極為小心。此模式僅適用於24伏特鉛酸蓄電池系統。防火花和極性反接保護功能均停止使用。在使用此模式之前，要非常注意電池的極性。切勿讓正負極電池夾互相接觸或夾在一起，否則本產品將發出火花。此模式使用極高的電流（高達3000安培），如果使用不當，可以引起火花和高熱。若你不能確定可以正確使用此模式，請切勿嘗試，應尋求專業協助。

為USB和12V設備供電。

GB251有2個USB-OUT端口和一個12V-OUT端口（12V AUX / 點煙器端口）。插入任何標準USB設備或12V設備（高達15安培），然後開動GB251以開始為你的設備供電。



接口

1.) **內置電池電量** 顯示內置電池的充電量。

2.) **錯誤顯示燈** 如果檢測到極性相反，則以紅色點亮，或者以各種順序閃爍“開”和“關”（從1到6次閃爍）以傳達錯誤情況。

3.) **高溫LED燈** 紅色顯示燈亮起，表示本產品運作完全正常，但已接近最高溫度限制。紅色閃爍；裝置太熱而無法啟動，在此狀態下只有手電筒可用。

4.) **低溫LED燈** 發出穩定的藍色光；設備已完全運行，但接近溫度下限。呈藍色閃爍；設備太冷而無法啟動，在此狀態下只有手電筒可用。

5.) **電力開關鈕** 開關本產品的按鈕。

6.) **電力顯示燈** 本產品起動後白色的電力顯示燈將會亮起。在60秒鐘的倒計時結束後，橙色指示燈將一直亮起，直到從汽車電池上取下固定夾或將GB251關機後再打開然後再次打開。

7.) **燈光模式轉換鈕** 此按鈕可轉換超高亮LED燈的七種燈光模式：100% > 50% > 10% > SOS求救訊號 > 閃動 > 快速閃動 > 關燈

8.) **電壓表/倒數計時器** 內置電壓表顯示汽車電池的電壓讀數，提供更佳的診斷及故障處理。當電池兩極夾子連接到電池上，即使不起動本產品，電壓表亦能自動讀取任何電池（或電池系統）的電壓數據。電壓表將讀取3V至30V之間的電壓數據。如連接的電池電壓低於3V，將不會顯示數據。電壓低至此，很可能是由於車頭燈、空調風扇等起動汽車前必須全部關上的裝置在消耗電力。當本機打開且檢測到電池後，電壓表將顯示60秒超時倒計時。

9.) **起動功能顯示燈** 起動功能被激活後白色的起動功能顯示燈將會亮起。如本產品與汽車電池的連接正常，GB251將會自動感應電池而進入起動模式（手動超控啟動後，白色的起動能顯示燈將會閃動）。

10.) **手動超控鈕** 長按手動超控鈕3秒鐘將會啟動手動超控模式。警告：此模式將停止安全保護功能並強制激活起動功能。僅在電池電壓過低而無法檢測到時使用。

常見問題及解決方法

錯誤	原因/解決方法
錯誤顯示燈：紅色顯示燈亮起	電池正負極倒置/倒轉電池正負極連接。
錯誤顯示燈：紅色顯示燈閃動而夾線連接正確	電池夾上檢測到短路。 / 由專業人員檢查電池。
閃亮一 (1) 次	電池夾上檢測到短路。 / 移除所有負載，將夾子重新連接到電池。
❗ 雙 (2) 閃光燈	在鉗夾處檢測到高電壓 (GB251連接到大於24V的電壓系統) 。
四倍 (4) 閃存	充電逾時錯誤 (即GB251大量充電已久)
五元組 (5) 閃存	XGC OUT過電流 (即從XGC OUT端口汲取超過15安培的電流)
Sextuple (6) 閃爍	BMS (電池管理系統) 故障。(將GB251的電源關閉，然後再次打開以清除。如果問題仍然存在，請聯繫客戶支持)
⬇️+ Hot LED：亮起	本產品運作完全正常，但已接近最高溫度限制。 / 請讓裝置冷卻。
⬇️+ Hot LED：閃動	設備太熱而無法啟動，在此狀態下只有手電筒可用。 / 讓設備冷卻。
⬇️+ Hot LED：閃動後所有LED顯示燈 熄滅	裝置溫度太高，不可發動電池，亦不能使用其他功能。 / 請讓裝置冷卻，把裝置搬到較清涼的環境。
❄️ Cold LED：亮起	本產品運作完全正常，但已接近最低溫度限制。 / 請讓裝置溫度提升。
❄️ Cold LED：閃動	設備太冷而無法啟動，在此狀態下只有手電筒可用/允許設備預熱。
❄️ Cold LED：閃動後所有LED顯示燈熄滅	裝置溫度太低，不可發動電池，亦不能使用其他功能。 / 請讓裝置溫度提升，把裝置搬到較和暖的環境。
起動功能顯示燈沒有亮起而夾線連接正確	已連接的電池電壓低於3-volts/請移除所有消耗電力的裝置後再試，或者使用手動超控模式。

技術規格

內置電池： 137Wh 鋰離子	12V (輸入): 12V/5A (14V 最大)
額定峰值電流： 3000A	12V (輸出): 最大12V, 15V
操作溫度： -20°C 至 +50°C	外殼保護： IP65 (連接埠關閉時)
充電溫度： 0°C 至 +40°C	冷卻： 自然對流
儲存溫度： -20°C 至 +50°C (平均溫度)	尺寸 (長x闊x高)： 31.75 x 20.83 x 3.39 公分
USB (輸出)： 5V, 2.1A	重量： 6.19 公斤 (13.65 lb)

NOCO 一年保用證明。

The NOCO Company (下稱NOCO) 提供從購買日開始一年的保用期間 (下稱「保用期間」)，保證本產品 (下稱「產品」) 的質料及製作均無任何缺陷。在保用期間內如發現缺陷，NOCO將按情況及NOCO的技術支援分析結果決定修理或交換有缺陷的產品。交換的零件及產品將為在功能和性能上與原來零件同等的全新或可使用的二手商品，在餘下的原有保證期間內繼續獲得保證。

NOCO的法律責任明確地限於交換或修理。在法律允許的最大程度內，本產品的購買者或第三者就任何特殊、間接、相應或懲戒性損害，包括但不限於，與產品有任何關連的損失利潤、財物損失、或人身傷害，無論其發生原因為何，即使NOCO認知上述損失發生的可能性，NOCO毋須對此賠償負責。此保證代替并排除所有其他明示、隱含、法定或其他保證，包括但不限於隱含的可銷售性及特殊用途合適性保證，及因交易過程、按慣例或業界常規而伴隨的保證。如任何適用法例施加不能排除或更改的保證、條件或義務，本段內容將適用至該當法例可容許的最大範圍內。

本有限保證只適用於從NOCO或NOCO認可的經銷商或批發商購買本產品的原購買者，不可轉授或轉讓。提出保證申訴時，購買者必須：(1) 向NOCO支援中心發出電子郵件，要求及獲取退貨（下稱「RMA」）號碼及退貨地點資料（下稱「退貨地點」），電郵地址為 support@no.co 亦可致電+1-800-456-6626，以及(2)把產品、RMA號碼、收據、（如未能提交收據）或有缺陷的本產品的製造商建議零售價的45%的保證費（下稱「保證費」）（RMA上將附有適用的保證費金額）一併送到退貨地點。從NOCO支援中心獲取RMA之前，切勿把產品送到退貨地點。

原購買者必須負責（同時預付）把產品送出接受保證服務的所有包裝及運送費用。

儘管如此，產品如有以下情況，本有限保證將失效及不再適用：(a) 被誤用、處理不當、濫用或不小心使用、意外、儲存方法不當、或在NOCO建議的安全有效使用條件以外的極端電壓、溫度、衝擊、或振動下操作；(b) 曾被不恰當地安裝、操作、或修護；(c) 未得NOCO的明確書面同意而進行改裝；(d) 經過NOCO以外的任何人分解、改動、或修理；(e) 保證期限過後提出的產品缺陷。

此有限保證不包括：(1) 正常損耗；(2) 不影響性能的表面損傷；或(3) NOCO的產品編號失落、經過改動、或毀損。

簡易保用條件

這些條件僅適用於在有效保修期內的產品。從購買日起計算的保修期（如果沒有購買證明，則從產品序號日期起計算其保修期）完結後，或根據本文件上所列出的條件，簡易保用證將會無效。退還產品時請攜同相關文件。

有購置單據：

1年：不收費。附帶購買證明，保修期自購買日開始計算

沒有購置單據：

1年：不收費。不附帶購買證明，保修期按產品序號日期開始計算。

閣下可在網上登記您的NOCO產品，網址為：no.co/register。假如閣下對保證或本產品有任何疑問，請聯絡NOCO支援中心（使用上列的電郵地址及電話號碼）或來函本公司地址：The NOCO Company, 30339 Diamond Parkway, #102, Glenwillow, OH 44139 USA

שנה 1: ללא עלות. ללא הוכחת רכישה, תקופת האחריות מתחילה בתאריך שמופיע במספר הסידורי.

ניתן לרכוש את מוצרנו ישירות מאתר האינטרנט: no.co/register לשאלות ובירורים נוספים בנוגע לאחריות או למוצר ניתן לצור קשר עם שירות הלקוחות שלנו (אימייל וטלפון כמופיע למעלה) או באמצעות הדואר בכתובת: The NOCO Company, 30339 Diamond Parkway, #102, Glenwillow, OH 44139 USA

אחריות מוגבלת זו ניתנת אך ורק לטובת הרוכש המקורי של המוצר מחברת NOCO או ממפיץ מורשה של חברתנו ואינה ניתנת להעברה. כדי לטעון תביעת אחריות, על הרוכש: א'. לבקש ולקבל אישור מהחברה שהמוצר באחריות לפני שליחת המוצר, על ידי פניה בדוא"ל לכתובת support@noco או על ידי התקשרות למספר 001.800.456.6626 ב'. לשלוח את המוצר, כולל מספר האישור מהחברה, לצד קבלה או תשלום "דמי אחריות" (נדרש רק במידה ולא מסופקת קבלה – ובמחיר של 45% מעלות המוצר). אין לשלוח מוצר ללא תיאום עם החברה וקבלת מספר אישור משירות הלקוחות המעיד על כך שהמוצר באחריות.

הרוכש המקורי אחראי על כלל עלויות האריזה ושילוח במקרה בו הינך מתכוון להשתמש באחריות. התשלום יבוצע מראש.

על אף האמור לעיל, האחריות המוגבלת הזו אינה חלה על מוצרים אשר: א'. לא טופלו כראוי, נעשה בהן שימוש בניגוד להנחיות החברה, נעשה בהן חבלה או שימוש רשלני, תאונה, אוחסנו בניגוד להנחיות, או נעשה בהן שימוש בתנאים של מתח קיצוני, טמפרטורה או זעזוע בניגוד להמלצות החברה. ב'. נעשה בהן שימוש, תופעלו או הותקנו בצורה רשלנית. ג'. שונו ללא הסכמה מפורשת בכתב של חברת NOCO. ד'. פורקו או תוקנו או על ידי מי שאינו הוסמך לכך על ידי החברה. ה'. הפגמים שהם דווחו לאחר תקופת האחריות.

האחריות לא מכסה כל אחד מהמצבים הבאים: 1. שחיקה או נזק משימוש סביר. 2. נזק קוסמטי שלא משפיע על פעילות המוצר. 3. מוצרים בהם המספר היסודי של המוצר חסר, נמחק או שונה.

תנאים לאחריות נטולת-בעיות

התנאים האלו חלים על המוצר רק במהלך תקופת האחריות. האחריות נטולת-הבעיות מבוטלת בין אם עברה התקופה הנקובה ממועד הרכישה (הזמן שעבר מהתאריך שמופיע במספר היסודי, בהעדר הוכחת רכישה), או עקב התנאים המצוינים לעיל במסמך זה. החזרת מוצר תתבצע עם התייעוד הנדרש.

עם קבלה:

שנה 1: ללא עלות. עם הוכחת רכישה, תקופת האחריות מתחילה במועד הרכישה.

ללא קבלה:

נתונים טכניים

12V (קלט): 15V (12V/5A מקס)	סוללה פנימית: 137Wh ליתיום-יון
יציאת 12V: 12V, 15V מקס	זרם מירבי: 3000A
הגנה חיצונית: דירוג IP65 (כאשר החיבורים סגורים)	טמפרטורת עבודה: -20C עד +50C
קירור: הסעה טבעית	טמפרטורת טעינה: 0C עד 40C
מידות (אורך X רוחב X גובה): 31,75 x 20,83 x 3.39 סנטימטרים	טמפרטורה מומלצת לאחסון: -20C עד +50C (טמפ' ממוצעת)
משקל: 6.19 קילוגרמים (13.65 lb)	יציאת USB: 5V, 2.1A

אחריות מוגבלת לשנה ישירות מהיצרן NOCO

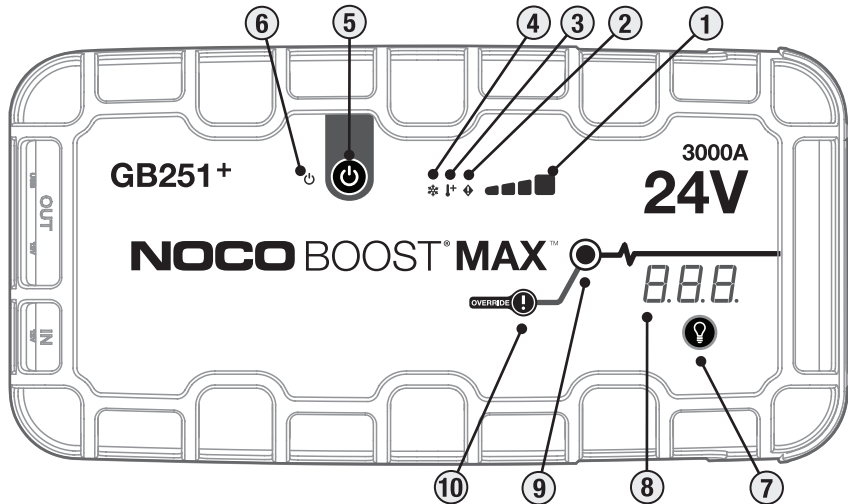
חברת NOCO מתחייבת כי מוצר זה (להלן "המוצר") יצא מחברתנו ללא פגמים חומריים או פגיעה בביצועי המוצר, והחברה מתחייבת על תקינותו למשך תקופה של שנה אחת (1) מיום הרכישה (להלן "תקופת האחריות"). עבור פגמים שדווחו במהלך תקופת האחריות, NOCO תפעל על פי שיקול דעתה לגבי אופן הטיפול בתקלה – ותדאג לתקן או להחליף חלקים פגומים במוצר. חלקי החילוף יהיו חדשים או משומשים, אך במצב עבודה הזזה למוצר חדש, ויהיו גם כן כפופים לאחריות היצרן עד סוף תקופת האחריות המקורית.

אחריות החברה מוגבלת באופן חלקי להחלפה או לתיקון, במידה המרבית המותרת בחוק. החברה אינה אחראית כלפי רוכש מוצר זה או כל צד שלישי בגין נזקים כלשהם, עקיפים או ישירים, לרבות אך לא רק לאובדן רווחים, נזקי רכוש או פגיעה גופנית, הקשורים בכל דרך שהיא למוצר ללא תלות באופן השימוש בו, גם אם החברה מודעת לסכנות האפשריות היכולות להיגרם ממוצר זה. הסכם זה מוגדר מעל כל אחריות או התחייבות אחרת, מפורשת או כללית, באופן כזה או אחר, ללא שום הגבלות, והחברה לא לוקחת שום אחריות שהיא משימוש במוצר בהתאם להסכם הרכישה. במקרה בו חוק כלשהו סותר הסכם זה, הנ"ל יחול במידה המרבית בה החוק מאפשר.

פתרון בעיות

מקרים/תגובות	שגיאה	
חיבור הפוך/ הפוך את חיבור הכבלים למצבר	נורת שגיאה: בצבע אדום רציף	⚠
קצר חשף שהתגלה במלחציים. / בדקו את הסוללה על ידי איש מקצוע. בדקו את הסוללה על ידי איש מקצוע.	נורת שגיאה מהבהבת בצבע אדום/ כבלים לא מחוברים כראוי	
זוהר קצר החשמלי במלחצי המצבר. / יש לפרוק את כל המטען החשמלי, לחבר מחדש את המלחציים למצבר.	הבהוב יחיד (1)	
מתח גבוה מזוהר במלחציים (ה- GB251 מחובר למערכת מתח גדולה מ-24V).	כפול (2) פלאש	
שגיאת פסק זמן לטעינה (כלומר, ה- GB251 היה בתשלום בכמות גדולה זמן רב מדי)	ארבע (4) פלאש	
XGC OUT על פני זרם (כלומר יותר מ-15 אמפר נשאבים מיציאת XGC OUT)	חמישייה (5) פלאש	
תקלה ב- BMS (מערכת ניהול סוללות). (הפעל את GB251 "כבוי" ו"הפעל" שוב כדי לנקות אותו. אם הבעיה נמשכת. פנה לתמיכת הלקוחות)	6 (Sextuple) פלאש	⚡
המכשיר ניתן לעבודה, אך הסוללה מתקרבת לטמפרטורת העבודה המקסימלית שלה. אפשר למכשיר להתקרר.	נורת עומס חום: רציפה	
היחידה חמה מדי מכדי להתחיל, רק הפנס זמין במצב זה. / אפשר ליחידה להתקרר.	נורת עומס חום: מהבהבת	
המכשיר התחמם יתר על המידה ואינו ניתן לשימוש. הבא את המכשיר לסביבת עבודה קרה יותר.	נורת עומס חום: מהבהבת, ובהמשך כלל נורות החיווי נכבות	
המכשיר ניתן לעבודה, אך הסוללה מתקרבת לטמפרטורת העבודה המינימלית שלה. אפשר למכשיר להתחמם.	נורת עומס קור: אור רציף	❄
היחידה קרה מדי מכדי להתחיל, רק הפנס זמין במצב זה / אפשר לחימום להתחמם.	נורת עומס קור: מהבהבת	
המכשיר קר מדי ואינו ניתן לשימוש. הבא את המכשיר לסביבת עבודה חמה יותר.	נורת עומס קור: מהבהבת ובהמשך כלל הנורות החיווי נכבות	
מתח המצבר או הסוללה שחוברה נמוך מ-3V\ הסר את כלל צרכי ההספק מהמצבר, נסה שוב. במידה ועדין לא עובד כנס למצב עבודה ידנית	נורת חיווי מצב עומס גבוה לא נדלקת/ כבלים לא מחוברים כראוי	

1. **מד טעינה** מציג את רמת הטעינה הנוכחית עבור הסוללה הפנימית
2. **נורת שגיאה דלוקה**: מאיר אדום אם מתגלה קוטביות הפוכה, או מהבהב "מופעל" ו "כבוי" ברצפים שונים (מ 1- עד 6 מהבהבים) כדי להעביר מצבי שגיאה.
3. **נורת חום דלוקה ורצופה בצבע אדום**: מאיר אדום מוצק; היחידה פעילה לחלוטין, אך מתקרבת למגבלת הטמפרטורה העליונה. אדום מהבהב; היחידה חמה מדי מכדי להתחיל, רק הפנס זמין במצב זה.
4. **נורת עומס קור דלוקה ורציפה בצבע כחול**: מאיר כחול מלא; היחידה פעילה לחלוטין, אך מתקרבת למגבלת הטמפרטורה התחתונה. מהבהב כחול; היחידה קרה מכדי להתחיל, רק הפנס זמין במצב זה.
5. **כפתור לחיצה** להדלקה וכיבוי של המכשיר
6. **נורת מכוון מכשיר דלוקכבוי**, תאיר בצבע לבן כאשר המכשיר דלוק יאיר כתום לאחר ספירת הפסקת הזמן של 60 שניות עד שיסלקו את המהדקים מסוללת הרכב או שה- GB251 יופעל ויהיה פעיל שוב.
7. **בורר מצב פנס**: בורר מתוך 7 אפשרויות הארה שונות: 100%, 50%, 10%, סימון חירום SOS, הבהוב, פלאש, כבוי.
8. **מד מתח / טיימר לספירה לאחור** מד המתח המובנה קורא את המתח של מצבר הרכב לצורך אבחון ופתרון בעיות משופרים. מד המתח יקרא אוטומטית את המתח של כל סוללה (או מערכת סוללות) כאשר מחברים את מלחצני הסוללה - גם אם היחידה כבויה. מד המתח יקרא מתח בין $3V \sim 30V$. אם הסוללה המחוברת נמוכה מ-3 וולט, שום דבר לא יופיע. במצב זה, סביר להניח שיש עומס (ים) על הסוללה, כמו פנסים או מאוורר זרם כיבוי שיש לכבות לפני שניסית להתניע את הרכב. בזמן שהיחידה פועלת ולאחר גילוי סוללה, מד המתח יציג את ספירת הזמן שלאחר הפסקה של 60 שניות.
9. **נורת עומס גבוה**: נדלקת בצבע לבן כאשר מצב עומס גבוה מופעל. אם המכשיר מחובר היטב למצבר הרכב, מכשיר ה- GB251 יזהה מיד את החיבור למצבר ויעבור למצב עומס גבוה אוטומטית. הנורה תהבהב במצב של כניסה ידנית למצב עומס
10. **כפתור מצב ידני**: על מנת להיכנס למצב ידני יש ללחוץ על כפתור זה לחיצה רצופה במשך 3 שניות. **זהירות: מצב ידני מבטל** הגנות ומדליק מצב עומס גבוה. רק לשימוש כאשר מתח הסוללה נמוך מכדי שניתן יהיה לזהות אותו.



המצבר שלכם הוא מתחת ל-2 וולט, נורת Boost LED תהיה כבויה. זה מצביע על כך שה-GB251 לא מצליח לזהות מצבר. אם אתם צריכים להתניע מצבר שמתח הסוללה שלו נמוך מ-2 וולט, קיים מצב ידני המאפשר לכפות הפעלה של פונקציית ההתנעה. אם מתח הסוללה הוא מתחת ל-2 וולט, נורת Boost LED תהיה כבויה, ומד המתח לא יציג מתח כלשהו.

זהירות

יש לגלות זהירות רבה בשימוש במצב זה. מצב זה מיועד אך ורק עבור מצברים עם סוללת 24 וולט מסוג עופרת-חומצה. גם המאפיין של מניעת ניצוצות וגם המאפיין של הגנה מפני קוטביות הפוכה מושבתים במצב זה. שימו לב לקוטביות הסוללה לפני שימוש במצב זה. אין לאפשר חיבור או מגע בין המחבר החיובי והמחבר השלילי של הסוללה, שכן זה יגרום למוצר לייצר ניצוצות. במצב זה נעשה שימוש בזרם חזק מאוד (בעוצמה של עד 3000 אמפר), ושימוש לא נאות בו עלול לגרום לניצוצות ולחום גבוה. אם אינכם בטוחים לגבי שימוש במצב זה, אל תנסו להפעיל אותו, ופנו לקבלת עזרה מאנשי מקצוע.

הפעלת מכשירי USB ומכשירים במתח 12 וולט.

יש ל-2 GB251) פתחות יציאה מסוג USB ופתחת יציאה עם מתח 12 וולט (פתחת 12 וולט AUX/ מצת סיגריות). חברו כל מכשיר USB סטנדרטי או מכשיר במתח 12 וולט (עם זרם של עד 15 אמפר) והפעילו את GB251 כדי להפעיל את המכשיר.

השלילי של המצבר (-,NEG,N) או של שלדת הרכב.

שלב 3: התנעה

1. ודא כי כל צרכני החשמל שברכב מכובים לפני ניסיון ההתנעה (רדיו, אורות, מזגן וכו')
2. לחצו על כפתור ההפעלה כדי להתחיל התנעה, וכל נורות ה-LED יהבהבו פעם אחת. אם המצבר מחובר כראוי, נורת Boost LED הלבנה תידלק, ונורות ה-LED של טעינת המצבר יידלקו בעקבותיה. ספירה לאחור של 60 שניות תתחיל לאחר זיהוי המצבר.
3. נסה להתניע את הרכב. רוב הרכבים יתניעו במייד. ישנם רכבים הדורשים חיבור רציף של המכשיר במשך כ-30 שניות לפני התנעה תקינה. אם הרכב לא מתניע מיד, חכה 30 שניות ונסה שוב. אל תנסה להתניע יותר מ-5 פעמים ברציפות בפרק זמן של 15 דקות. המתן 15 דקות לפני ניסיון להתניע שוב בפעם השישית.
4. לאחר שהצלחת להתניע את הרכב, נתק את התנינים והסר את ה-GB251.

פסק זמן של 60 שניות.

ספירה לאחור של 60 שניות תחל ברגע שהמצבר מזהה. עם סיום 60 השניות פונקציית ההתנעה תושבת. נורת boost LED תיכבה, ונורות ה-LED של טעינת המצבר הפנימי יראו את רמת הטעינה הנוכחית של המכשיר. כדי לאפס את פונקציית ההתנעה, יש ללחוץ על כפתור ההפעלה ולכבות את המכשיר. יש ללחוץ על כפתור ההפעלה שוב כדי להפעיל את המכשיר ולאתחל את פונקציית ההתנעה.

זהירות

פסק הזמן של 60 שניות מנוטרל בעת שימוש במצב ידני. אספקת החשמל תימשך כל עוד המצב הידני מופעל. כדי למקסם את מספר ההתנעות, מומלץ לכבות את יחידת ההתנעה ברגע שהרכב מתניע.

מצברים בעלי מתח נמוך והפעלה ידנית של ההתנעה

ה-GB251 נועד להתניע מצברים עם סוללת 24 וולט מסוג עופרת-חומצה עם מתח של עד 2 וולט לכל הפחות. אם מתח סוללת

אופן השימוש

שלב 1: טען את ה- GB251

ה-GB251 מגיע טעון חלקית, ויש לטעון אותו במלואו לפני השימוש. חברו את ה-GB251 לפתחת כניסה עם מתח 12 וולט באמצעות המטען הכלול לרכב למתח 12 וולט עם זרם ישר, או מטען קיר XGC4. זמן הטעינה מחדש של GB251 תלוי ברמת הפריקה ובמקור החשמל שבו משתמשים. התוצאות בפועל עשויות להשתנות בגלל מצב הסוללה ורמת הפריקה.

בעת טעינה, רמת הטעינה של הסוללה הפנימית מסומנת על ידי נוריות החיווי. נוריות הLED יבהבו על האחוז בו רמת הסוללה טעונה, ויעלו בהדרגה עם התקדמות הטעינה. במצב של טעינה מלאה נורית ה-100% תהיה דלוקה וכלל נורות ה-25%, 50% ו-75% יכבו. מעת לעת, יתכן כי נורת ה-100% תבהב, דבר אשר מעיד על טעינה תחזוקתית לסוללה הפנימית.

שלב 2: חבר למצבר

עליכם לקרוא בעיון ולהבין את מדריך המשתמש של הרכב בכל הקשור לאמצעי הזהירות הספציפיים והשיטות המומלצות להתנעת הרכב. לפני שימוש במוצר זה הקפידו לברר את המתח וההרכב הכימי של סוללת המצבר, על ידי עיון במדריך למשתמש של המצבר. ה-GB251 מיועד להתנעה של מצברים עם סוללת 24 וולט מסוג עופרת-חומצה בלבד. לפני חיבור למצבר ודאו שיש לכם מצבר עם סוללת 24 וולט מסוג עופרת-חומצה. ה-GB251 אינו מתאים לסוללות מכל סוג אחר. יש לזהות את הקוטביות הנכונה של חיבורי המצבר. החיבור החיובי של המצבר לרוב מסומן על ידי האותיות או הסמלים (+, POS, P). החיבור השלילי של המצבר לרוב מסומן על ידי האותיות או הסמלים (-, NEG, N). אסור לחבר את המכשיר אל המאייד (קרבורטור), צינורות הדלק, או חלקי לוחות מתכת דקים. ההנחיות שלהלן מתייחסות למערכת הארקה קרקע שלילית (הנפוצה ביותר). אם יש ברכב שלכם הארקה קרקע חיובית (נדיר ביותר), יש לעיין במדריך למשתמש של הרכב להנחיות המתאימות להתנעה.

1.) יש לחבר את המלחציים החיוביים (אדום) לחיבור החיובי של המצבר (+, POS, P) ואת המלחציים השליליים (שחור) לחיבור

פרמטרי המטען | זמן טעינה:

5hr

56W

מד טעינה



25% 50% 75% 100%

להשתמש במוצר רק למטרות שעבורן הוא מיועד. **מכשור רפואי**. המוצר עלול לפלוט שדה אלקטרו-מגנטי. המוצר מכיל רכיבים מגנטיים העלולים להפריע לפעולת קוצבי לב, דפיברילטורים או למכשור רפואי נוסף. השדות האלקטרו-מגנטיים עלולים להפריע לפעילות תקינה של קוצבי הלב או מכשור רפואי אחר. התייעץ עם רופא המשפחה לפני שימוש במידה והנך בעל קוצב לב. אם הינך חושש שהמוצר מפריע למכשיר רפואי הפסק שימוש מידי ופנה לעזרה רפואית. **מגבלה רפואית**. אם הנך בעל מגבלה רפואית העלולה להיות מושפעת על ידי המוצר, כולל אך לא רק: ניתוחים, סחרחורות, כאבי ראש או כאבי עיניים, איבוד הכרה וכו' -התייעץ עם רופא המשפחה לפני השימוש במוצר. השימוש במכשיר בתור פנס בעל פלאשים חזקים עלול לעורר התקפים אפילפטיים, דבר שעלול לגרום לחזק רציני ואף מוות. **אור**. צפייה ישירה בפנס עלולה לגרום נזק קבוע לעיניים. המכשיר כולל פנס בעל הספק גבוה הפולט קרן אור חזקה מאוד. **ניקיון**. כבה את המכשיר לפני כל ניסיון לנקות אותו. נקה ויבש מיד אם המוצר בא במגע עם נוזלים או כל סוג של מזהמים. נקה בעזרת מטלית מיקרו-פייבר יבשה. המנע מרטיבות בכניסות ויציאות של המכשיר. **סביבה נפיצה**. ציית לכלל הוראות הבטיחות וסימני האזהרה. אל תשתמש במוצר בסביבה נפיצה, כולל תחנות דלק או אזורים בהם יש כמות גבוה של אבק, מתכות, או מזהמים אחרים באוויר. **אזורים בעלי סיכון גבוה**. המוצר לא נועד לשימוש באזורים בהם קיים חשש לכשל במוצר העלול להוביל לפגיעה, מוות או נזק סביבתי רב. **הפרעות גלי רדיו**. המוצר תוכנן, נבדק ויוצר על מנת לעמוד בכלל רגולציות הממשלה בכל הנוגע לתדרי רדיו. גלי רדיו מהמכשיר עלולות לגרום להפרעה של מכשירים חשמליים ואף לגרום להם לכשל. **מספר דגם: GB251** התקנים אלו עומדים בסעיף 15 של כללי ה-FCC. ההפעלה כפופה לתנאים הבאים: 1. התקן זה עלול לגרום להפרעות מזיקות. 2. התקן זה עלול לחוות הפרעות, לרבות הפרעות הגורמות לפעולות לא רצויות. הערה: ציוד זה נבדק ונמצא תואם למגבלות של התקן הדיגיטלי Class A, בהתאם לחלק 15 של כללי ה-FCC. מגבלות אלה נועדו לספק הגנה סבירה מפני הפרעות סביבה מזיקות כאשר הציוד מופעל בסביבה מתאימה. ציוד זה עלול לפלוט תדרי רדיו הגורמים להפרעות, במידה ואינו יתופעל בהתאם להוראות ההפעלה. הפעלת המוצר באזורי מגורים עלול לגרום להפרעות תקשורת. במקרה זה יידרש המשתמש לתקן את ההפרעות בעצמו וישא בהוצאות על כל נזק שיגרם.

והשתמש במוצר במקום מוצל ויבש. אל תשתמש במוצר אם הוא רטוב. אם המוצר פועל ולפתע נרטב, יש לנתק אותו ולהפסיק את עבודתו. אל תפסיק את עבודתו על ידי משיכת הכבלים, אלא על ידי ניתוקם בצורה מבוקרת וזהירה. שינויים. אין לשנות, לפרק או לתקן כל חלק של המוצר. פירווק המוצר עלול לגרום לפגיעה, מוות או נזק לרכוש. אם המוצר נפגם, נתקל או בא במגע עם נוזלים, הפסק את השימוש, פנה אל חברת NOCO. כל שינוי במוצר יבטל את תוקף האחריות. **אביזרים נלווים**. מוצר זה מאושר לשימוש רק עם אביזרים מקוריים. NOCO אינה אחראית לבטיחות המשתמש או לנזק בעת שימוש באביזרים שאינם מאושרים על ידי חברתנו. **מיקום**. המנע ממגע בין המוצר לבין חומצת המצבר. אל תפעיל את המוצר באזור סגור או באזור עם אוורור מוגבל. אל תניח מצבר על גבי המוצר. סדר את הכבלים כך שלא יגרם נזק במקרה של חלקים נעים (לרבות מכסי מנוע ודלתות), חלקי מנוע נעים (כולל להבי מאוורר, חגורות וגלגלות), או כל דבר שעלול להוות סכנה ולגרום לפגיעה או למוות. **טמפרטורת עבודה**. מוצר זה תוכנן לעבוד כאשר טמפרטורת הסביבה נעה בין (-20C) ל-(+50C). אל תפעיל את המוצר בסביבת טמפרטורות מחוץ לטווח זה. אל תתניע מצבר קפוא. הפסק מייד שימוש במכשיר אם המצבר מתחמם יתר על המידה. **אחסון**. אין להשתמש או לאחסן את המוצר באזורים עם ריכוז גבוה של אבק או חומרים מוטסים. אחסן את המוצר שלך בדירה; משטחים מאובטח כך שזה לא נוטה ליפול. אחסן את המוצר במקום יבש. טמפרטורת האחסון היא 20°C עד (+25°C ~ 0°C) 50°C טמפרטורה ממוצעת. לעולם אל תחרוג מ-80°C בכל תנאי. **תאימות**. מוצר זה מתאים רק למצברים עם סוללת 12 וולט מסוג עופרת-חומצה. אין לנסות להשתמש במוצר זה עבור סוללות מכל סוג אחר. התנעת מצברים עם הרכב כימי אחר עלולה לגרום לפגיעה, למוות או לפגיעה ברכוש. לפני ניסיון להתניע מצבר פנו ליצרן המצבר. אין להתניע מצבר אם אינכם בטוחים לגבי ההרכב הכימי או מתח הסוללה. **סוללת המכשיר**. יש להחליף את סוללת הלייתים-יון המובנית במוצר רק על ידי היצרן NOCO, יש למחזר את הישנה ולא לזרוק יחד עם פסולת ביתית. אל תנסה להחליף את הסוללה בעצמך ואל תטפל בסוללת ליתיום יון פגומה או דולפת. לעולם אל תשליך סוללה לאשפה ביתית. השלכת סוללות באשפה ביתית אינו חוקי ואינו בריא לסביבה ולך. השלך תמיד סוללות משומשות לפח המחזור הייעודי. אם סוללת המוצר חמה מדי, פולטת ריח, התעוותה, נחתכה או מתנהגת בצורה חריגה, עצור מייד כל שימוש וצור קשר עם חברת NOCO. **טעינת המכשיר**. יש לטעון את המוצר באמצעות המטען הכלול לרכב למתח 12 וולט עם זרם ישר, או מטען קיר XGC4. אין להשתמש במתאמים חשמליים גנריים או של צד שלישי, שכן הם עלולים להוות סיכון חשמלי ולהביא לפגיעה בבני אדם, במכשיר וברכוש. שימוש בכבלים או במטענים פגומים או טעינה בנוכחות לחות עלולים לגרום להלם חשמלי. NOCO אינה אחראית לבטיחות המשתמשים או לנזקים למכשיר או לרכוש עקב שימוש באביזרים או בספקי כוח שלא אושרו על-ידי NOCO. בשימוש במטען הקיר XGC4 ודאו שהתקע לזרם חילופין הוכנס למתאם עד הסוף לפני שתחברו אותו לשקע חשמל. מתאם החשמל יכול להתחמם בזמן שימוש רגיל, ומגע ממושך שלו עם עור עלול לגרום לפגיעה גופנית. חובה תמיד להבטיח אוורור נאות של מתאם החשמל בזמן שימוש בו. כדי להבטיח אורך חיי סוללה מקסימלי, הימנעו מטעינת המוצר למשך יותר משבוע בבת אחת, שכן טעינת יתר עלולה לקצר את משך חיי הסוללה. עם הזמן מוצר שלא נעשה בו שימוש מתפרק, ויש לטעון אותו מחדש לפני שימוש. נתקו את המוצר ממקורות חשמל כאשר אינו בשימוש. יש

זהירות

מצב ידני מנטרל את כל אמצעי הבטיחות. שימוש לא נאות ו/או בניגוד לשימוש המומלץ על ידינו עלול לגרום לפציעה או למוות, ויבטל את האחריות. סכנת אש, פיצוץ וכוויות. אסור לפרק, לרסק, לחמם לטמפרטורה של מעל ל-140°F (60°C) או לשרוף. המכשיר מיועד לשימוש זמני בחוץ, ויש לגלות זהירות סבירה בעת הפעלת המכשיר בתנאי רטיבות.

אזהרה

אין לבצע טעינת יתר של המצבר הפנימי. ראו את חוברת ההנחיות. אין לעשן, להדליק גפרור או לגרום להיווצרות ניצוצות בסמוך לבית המצבר. יש לטעון את המצבר הפנימי באזור מאוורר היטב, ולא בזמן הפעלת המכשיר.

זהירות

סכנת פציעה לבני אדם. אין להשתמש במוצר זה אם כבל החשמל או כבלי המצבר ניזוקו בכל דרך שהיא. המכשיר אינו מיועד לשימוש במעבדת תיקון מסחרית. המכשיר מיועד לאחסון במקום מקורה כאשר אינו בשימוש. אין לאחסן או להשאיר את המכשיר בחוץ כאשר אינו בשימוש.

הצעה 65. חלקים מן הסוללה עלולים להכיל כימיקלים, כולל עופרת. חומרים אלה ידועים כמסרטנים ועלולים לגרום למומים מולדים ולנזק במערכת הרבייה. **אזהרה למשתמש.** השתמש במוצר לייעודו בלבד. ודא כי יש אדם נוסף בטווח קריאה ממך ושהוא יכול לבוא לעזרתך במקרה חירום. ודא אספקת מים נקיים וסבון בקרבת מקום במקרה של פגיעה מחומצת סוללה. לבש משקפי מגן וביגוד מגן תוך כדי העבודה. יש לשטוף ידיים תמיד לאחר מגע עם סוללות וחומרים קשורים. אין לעבוד עם כלי עבודה מתכתיים או ללבוש חפצים מתכתיים בעת העבודה עם סוללות, לרבות כלי עבודה, שעונים או תכשיטים. אם המתכת באה במגע עם סוללה היא עלולה לגרום לקצר חשמלי שיביא להתחשמלות, שריפה או פיצוץ אשר עלול לגרום לפציעה, למוות או לנזק לרכוש. **שימוש על ידי קטינים.** אם המוצר נקנה על ידי אדם בוגר לשימוש של קטין, על הרוכש המבוגר האחריות לספק הוראות מפורטות ואזהרות השימוש לקטין לפני השימוש. האחריות לעשות זאת היא באחריותו הבלעדית של "הרוכש", אשר מסכים לשיפוי מלא של חברת NOCO בעת שימוש בלתי מכוון או שימוש לא תקין על ידי קטין. **סכנת חנק.** חלק מהרכיבים יכולים לגרום לסכנת חנק בקרב ילדים בעת בליעתם. אל תשאיר ילדים ללא השגחה בקרבת המוצר או כל אחד מחלקיו. מוצר זה אינו משחק. **טיפול במוצר.** טפל במוצר זה בזהירות. המוצר עלול להינזק בעת פגיעה. אל תשתמש במוצר פגום, כולל אך לא רק, סדקים או פגמים בכבלים, אל תשתמש במוצר עם כבל מתח פגום. נזולים עלולים להזיק למוצר, אל תפעיל את המוצר או כל אחד מרכיביו החשמליים בקרבת נוזלים. שמור

NOCO BOOST[®] MAX[™] GB251+

מדריך למשתמש ואחריות

אזהרה



עברית

קרא וודא הבנה לכלל המידע בנושא בטיחות לפני שימוש במוצר זה. שוק חשמלי, פיצוץ או שריפה עלולים להתרחש במידה והוראות הבטיחות לא ייושמו כנדרש, ועלולים לגרום לפציעות קשות, מוות או נזק לרכוש.



שוק חשמלי. המוצר הינו מכשיר חשמלי שיכול לחשמל ולגרום לנזק כבד למשתמש ולסביבתו. אל תחתוך כבלי חשמל. הרחק ממים ודאג שהמכשיר לא ירטב.



פיצוץ. סוללות לא מבוקרות, לא מתאימות או פגומות עלולות להתפוצץ בשימוש עם מכשיר זה. אל תשאיר את המכשיר לבד בעת השימוש. אל תנסה להתניע מצבר קפוא או פגום. השתמש במכשיר להתניע ולהטעין רק במתח המומלץ לשימוש. השתמש במקום מאוורר בלבד.



שריפה. המוצר הינו מכשיר חשמלי הפולט חום ומסוגל לגרום לכוויות. אל תכסה את המוצר בעת השימוש. אל תעשן ואל תקרב ניצוצות חשמליים למוצר בעת השימוש. הרחק את המוצר ממקורות נפיצים ובעירים כגון דלקים וכו'.



פגיעה בעיניים. השתמש במשקפי מגן בזמן הפעלת המוצר. סוללות יכולות להתפוצץ ולהעיף רסיסים. חומצה הנמצאת בסוללות יכולה לגרום לגירוי בעיניים ובעור. במקרה של מגע עם העיניים או העור, שטוף את האזור הפגוע עם מים זורמים נקיים ופנה ליעוץ רפואי בנושא מיד.



גזים נפיצים. עבודה באזור עם חומרי עופרת-חומצה הינה מסוכנת. סוללות מייצרות גזים נפיצים בזמן עבודה רגילה. על מנת להפחית סיכון של פיצוץ מצבר, פעל בהתאם לכלל הוראות הבטיחות של המכשיר ושל המצבר אותו הינך מנסה להתניע, או של יצרן כל רכיב שהו אותו ככוונתך להטעין. סקור את כלל סימני האזהרה של מוצר זה ושל מקור הטעינה.



למידע נוסף ותמיכה בקר
באתרנו:

www.no.co/support

يمكنك تسجيل منتج نوكو الخاص بك على الإنترنت على العنوان التالي: no.co/register. إذا كان لديك أية أسئلة بخصوص الضمان أو المنتج، اتصل بدعم نوكو (البريد الإلكتروني ورقم الهاتف أعلاه) أو اكتب إلى: شركة نوكو على العنوان: Diamond Parkway, #102, Glenwillow, OH 44139 USA 30339.

الخاصة بصلاحيّة العرض في السوق واللباقيّة لغرض معيّن وتلك الناجمة عن دورة التعامل أو الاستخدام أو الممارسة التجارية. في حالة فرض أي قوانين مطبقة لضمانات أو شروط أو التزامات لا يمكن استبعادها أو تعديلها، فإن هذه الفقرة تنطبق على أكبر حد مسموح به بموجب هذه القوانين.

ينعقد هذا الضمان المحدود لمصلحة المشتري الأصلي للمنتج من نوكو أو من بائع معتمد من نوكو أو من موزع وهذا الضمان غير قابل للتنازل أو النقل. لتأكيد مطابطة الضمان، يجب على المشتري: (1) يلزم طلب والحصول على رقم تفويض إرجاع المواد (RMA) ومعلومات موقع الإرجاع ("موقع الإرجاع") من دعم نوكو عن طريق إرسال بريد إلكتروني إلى support@no.co أو بالاتصال على 1.800.456.6626؛ و(2) يلزم إرسال المنتج، بما في ذلك رقم تفويض إرجاع المواد (RMA) أو الإيصال أو رسوم الضمان (الرسوم المطلوبة فقط إذا لم يتوفر إيصال) من 45% من السعر المقترح من الشركة المصنعة للطراز ("رسوم الضمان") (سوف يشمل تفويض إرجاع المواد مبلغ رسوم الضمان المطبق) إلى موقع الإرجاع التابع لك. لا ترسل المنتج دون الحصول أولاً على تفويض إرجاع المواد من دعم نوكو.

المشتري الأصلي هو المسؤول (ويجب عليه سداد) جميع تكاليف التغليف والنقل لشحن المنتجات لخدمة الضمان.

وبغض النظر عما تقدم، لا يسري هذا الضمان المحدود ولا ينطبق على المنتجات التي: (أ) تعرضت لسوء الاستخدام، أو سوء المعاملة، أو الحوادث، أو تم تخزينها بطريقة غير سليمة، أو تشغيلها في ظروف ذات جهد شديد أو درجة حرارة أو صدمة أو اهتزاز بشكل يتجاوز توصيات نوكو للاستخدام الآمن والفعال؛ (ب) تم تركيبها أو تشغيلها أو صيانتها بصورة غير سليمة؛ (ج) / تم تعديلها دون موافقة خطية صريحة من نوكو؛ (د) تم تفكيكها أو تغييرها أو إصلاحها من قبل أي جهة أخرى غير نوكو؛ (هـ) تم الإبلاغ عن عيوبها بعد انتهاء فترة الضمان.

لا يغطي هذا الضمان المحدود: (1) البلى العادي؛ (2) أو تلف في جانب تكميلي لا يؤثر على القدرة الوظيفية؛ أو (3) المنتجات التي يكون فيها الرقم التسلسلي لنوكو مفقوداً أو مشوهاً أو طرأ عليه تغيير.

شروط الضمان

تنطبق هذه الشروط فقط على المنتج أثناء فترة الضمان. يعتبر الضمان باطلاً إما بانقضاء الوقت من تاريخ الشراء (الوقت المنقضي من تاريخ الرقم التسلسلي إذا لم يكن هناك وثيقة لإثبات تاريخ الشراء) أو من الشروط المدرجة سابقاً في هذه الوثيقة. يتم إعادة المنتج مع الوثائق المناسبة.

مع وجود إيصال:

عام واحد (1): بدون رسوم. مع وثيقة إثبات الشراء، يبدأ الضمان من تاريخ الشراء.

مع عدم وجود إيصال:

عام واحد (1): بدون رسوم. مع عدم وجود وثيقة إثبات الشراء، يبدأ الضمان من الرقم التسلسلي للجهاز.

المواصفات الفنية

البطارية الداخلية: 137Wh الليثيوم ايون	12V (دخل): 12 فولت/ 5 أمبير (15 فولت كحد أقصى)
تصنيف ذروة التيار: 3000A	12V (خرج): 12 فولت ، 15 فولت كحد أقصى
درجة حرارة التشغيل: -20 درجة مئوية إلى +50 درجة مئوية	حماية المهيبت: IP65 (واط / منافذ مغلقة)
درجة حرارة الشحن: 0 درجة مئوية إلى +40 درجة مئوية	التبريد: الحمل الحراري الطبيعي
درجة حرارة التخزين: -20 درجة مئوية إلى +50 درجة مئوية (متوسط درجة الحرارة)	الأبعاد (الطول × العرض × الارتفاع): 31.75 x 20.83 x 3.39 سم
منفذ USB (خرج): 5 فولت، 2.1 أمبير	الوزن: 6.19 كيلوغرامات (13.65 lb)

يحظى نوكو بضمان محدود لمدة سنة (1) واحدة

تتعهد شركة نوكو أن منتجاتها ("المنتج") خالية من العيوب من حيث المواد والتصنيع لمدة سنة (1) واحدة اعتباراً من تاريخ الشراء ("فترة الضمان"). وبالنسبة للعيوب التي يُبلغ عنها أثناء فترة الضمان، فإن شركة نوكو سوف تقوم، حسب تقديرها ومع مراعاة عدم الإخلال بتحليل الدعم الفني بها، إما بإصلاح المنتجات المعيبة أو استبدالها. وتكون قطع الغيار والمنتجات جديدة أو مستعملة بحالة تسمح بالخدمة، ويمكن مقارنتها من حيث الوظيفة والأداء بالقطعة الأصلية ومكفولة طوال باقي فترة الضمان الأصلية.

وتقتصر مسؤولية نوكو أدناه على الاستبدال أو الإصلاح. إلى أقصى حد يسمح به القانون المعمول به، وبأي حال من الأحوال، لن تتحمل نوكو لأي مشتر للمنتج أو طرف ثالث المسؤولية عن أي أضرار لاحقة أو عرضية أو غير مباشرة أو خاصة أو عقابية، بما في ذلك على سبيل المثال لا الحصر، أضرار خسارة الأرباح التجارية أو إصابات الأفراد، المرتبطة بأي شكل بالمنتج مهما كان السبب، حتى ولو كانت نوكو على علم باحتمال وقوع مثل هذه الأضرار. تحل هذه الضمانات الواردة هنا محل جميع الضمانات الأخرى، صريحة كانت أم ضمنية، بما في ذلك على سبيل المثال لا الحصر، الضمانات الضمنية

دليل حل المشكلات

الخطأ	السبب/الحل	
⚠	مؤشر LED الخاص بالخطأ يضيء بلون أحمر ثابت	قطبية عكسية/ عكس توصيلات البطارية.
	مؤشر LED الخاص بالخطأ: يومض بشكل متقطع كإشارات من نوع w متصلة بصورة صحيحة وميض واحد (1)	تم الكشف عن ماس كهربائى في المشابك. قم بفحص البطارية بواسطة محترف. / فحص البطارية بواسطة محترف.
	مزدوج (2) فلاش	تم كشف تماس كهربى على مشابك البطارية. / قم بإزالة جميع الأحمال، وأعد توصيل المشابك بالبطارية.
	رباعي (4) فلاش	تم اكتشاف الجهد العالي في المشابك (يتم توصيل GB251 بنظام جهد أكبر من 24 فولت).
	فلاش خماسي (5)	خطأ مهلة الشحن (على سبيل المثال ، كان GB251 قيد الشحن الجماعي لفترة طويلة جدًا)
	سداسي (6) فلاش	XGC OUT أكثر من التيار (أي يتم سحب أكثر من 15 أمبير من منفذ XGC OUT)
⚡+	Hot LED (مؤشر LED بالسخونة) ثابت	عطل BMS (نظام إدارة البطارية). (الطاقة GB251 "إيقاف تشغيل" و "تشغيل" مرة أخرى لمساعدتها. إذا استمرت المشكلة ، فاتصل بدعم العملاء)
	Hot LED (مؤشر LED بالسخونة) يومض	تعمل الوحدة بكامل طاقتها، لكنها تقترب من الحد الأعلى لدرجة الحرارة. / اترك الوحدة حتى تبرد.
	Hot LED (مؤشر LED بالسخونة) يومض ثم تتوقف جميع مؤشرات LED عن العمل	الوحدة ساخنة للغاية بحيث لا يمكن بدء التشغيل ، ولا يتوفر سوى المصباح في هذه الحالة. / اترك الوحدة لتبرد.
	Cold LED (مؤشر LED بالبرودة): ثابت	الوحدة ساخنة للغاية بحيث يتعذر تشغيلها بتوصيلها من بطارية أخرى أو استخدام وظائف أخرى. / اترك الوحدة حتى تبرد، وضع الوحدة في بيئة أبرد.
❄	Cold LED (مؤشر LED بالبرودة): يومض	تعمل الوحدة بكامل طاقتها، لكنها تقترب من الحد الأقل لدرجة الحرارة. / اترك الوحدة حتى تُحمى.
	Cold LED (مؤشر LED بالبرودة): يومض ثم تتوقف جميع مؤشرات LED عن العمل	الوحدة باردة جدًا بحيث يتعذر بدء تشغيلها ، يتوفر فقط المصباح في هذه الحالة / اسمح للوحدة بالتسخين.
	Cold LED (مؤشر LED بالبرودة): يومض ثم تتوقف جميع مؤشرات LED عن العمل	الوحدة باردة للغاية بحيث يتعذر تشغيلها بتوصيلها من بطارية أخرى أو استخدام الوظائف الأخرى. / اترك الوحدة حتى تُحمى، وضع الوحدة في بيئة أدفأ.
مصباح التعزيز لا يضيء كإشارات من نوع w متصلة بصورة صحيحة	البطارية المتصلة أقل من 3 فولت/ تخلص من جميع الأحمال، أو استخدم وضع التجاوز اليدوي.	

1. مستوى البطارية الداخلية يشير إلى مستوى شحن البطارية الداخلية.

2. مؤشر LED الخاص بالخطأ يضيء باللون الأحمر إذا تم اكتشاف قطبية عكسية ، أو يومض "تشغيل" و "إيقاف تشغيل" في تسلسلات مختلفة (من 1 إلى 6 ومضات) لنقل حالات الخطأ.

3. Hot LED (مؤشر LED بالسخونة) يضيء الأحمر الصلب ؛ الوحدة تعمل بكامل طاقتها لكنها تقترب من الحد الأعلى لدرجة الحرارة. وميض أحمر الوحدة شديدة السخونة بحيث يتعذر بدء تشغيلها ، ولا يتوفر إلا المصباح في هذه الحالة.

4. Cold LED (مؤشر LED بالبرودة) يضيء الأزرق الصلب ؛ الوحدة تعمل بكامل طاقتها ، لكنها تقترب من الحد الأدنى لدرجة الحرارة. وميض أزرق الوحدة باردة جداً بحيث يتعذر بدء تشغيلها ، ولا يتوفر سوى المصباح في هذه الحالة.

5. زر التشغيل اضغط لتشغيل الوحدة وإيقاف تشغيلها.

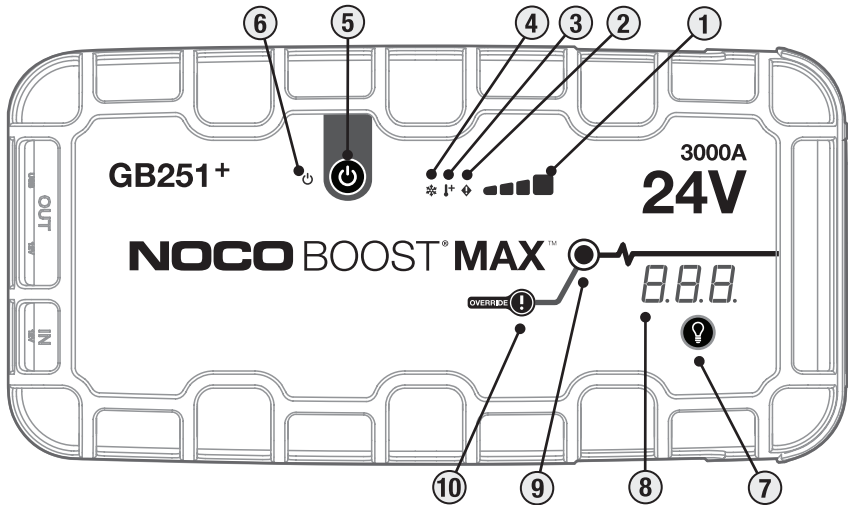
6. مؤشر LED الخاص بالطاقة يضيء باللون الأبيض عندما تكون الوحدة في "وضع التشغيل". سوف يضيء باللون البرتقالي بعد العد التنازلي لمهلة 60 ثانية حتى تتم إزالة المشابك من بطارية السيارة أو يتم تدوير طاقة GB251 "إيقاف التشغيل" وإعادة التشغيل مرة أخرى.

7. زر وضع الضوء يقوم هذا الزر بتبديل ضوء مؤشر LED فائق السطوع بين سبعة 7 أوضاع من الإضاءة: 100% < 50% < 10% < خطر < وميض < إضاءة دؤارة < إيقاف التشغيل

8. الفولتميتر / للعد التنازلي يقرأ مقياس الفولتميتر المدمج جهد بطارية السيارة لتحسين التشخيص واستكشاف الأخطاء وإصلاحها. سيقرأ الفولتميتر تلقائياً جهد أي بطارية (أو نظام بطارية) عند توصيل مشابك البطارية - حتى إذا تم إيقاف تشغيل الوحدة. سيقرأ الفولتميتر الجهد بين ~ 3V إلى ~ 30V. إذا كانت البطارية المتصلة أقل من 3 فولت ، فلن يتم عرض أي شيء. في هذه الحالة ، من المحتمل أن يكون هناك حمولة (أحمال) على البطارية ، مثل المصابيح الأمامية أو مروحة التيار المتردد التي يجب إيقافها قبل محاولة بدء تشغيل السيارة. أثناء تشغيل الوحدة وبعد اكتشاف البطارية ، سيرعرض الفولتميتر العد التنازلي لمهلة 60 ثانية.

9. مؤشر LED الخاص بالتعزيز يضيء باللون الأبيض عندما يكون وضع "التعزيز" فعالاً. إذا تم توصيل الوحدة بالبطارية على نحو صحيح، فسيتم اكتشاف البطارية المتصلة بواسطة وحدة GB251 تلقائياً والانتقال إلى وضع التعزيز (يومض مؤشر LED باللون الأبيض عندما تصبح ميزة التجاوز اليدوي فعّالة).

10. زر التجاوز اليدوي هذا الوضع، ادفع هذا الزر مع الاستمرار لمدة ثلاث (3) ثوانٍ. تحذير: سيتم تعطيل حماية السلامة وفرض التعزيز اليدوي لوضع "التشغيل". للاستخدام فقط عندما يكون جهد البطارية منخفضاً جداً بحيث يتعذر اكتشافه.



تنبيه.

استخدم هذا الوضع بعناية فائقة. هذا الوضع مخصص لأنظمة بطاريات الرصاص الحمضية 24 فولت فقط. تم تعطيل كل من ميزة مقاومة الشرارة وميزة الحماية من عكس القطبية. انتبه جيدًا إلى قطبية البطارية قبل استخدام هذا الوضع. لا تسمح لمشابك البطارية الإيجابية والسلبية بالتلامس أو التواصل ببعضها البعض لأن المنتج سيولد شرارات. يستخدم هذا الوضع تيارًا عاليًا جدًا (يصل إلى 3000 أمبير) يمكن أن يسبب شرارات وسخونة عالية إذا لم يتم استخدامه بشكل صحيح. إذا كنت غير متأكد من استخدام هذا الوضع ، فلا تحاول استخدامه وابحث عن مساعدة فنية.

تشغيل أجهزة USB و 12 فولت.

يحتوي GB251 على (2) منافذ USB-OUT ومنفذ 12 فولت مساعد AUX / منفذ ولاعة سجانر) قم بتوصيل أي جهاز USB قياسي أو جهاز بجهد 12 فولت (حتى 15 أمبير) وقم "بتشغيل" GB251 لبدء تشغيل أجهزتك.

الخطوة الثالثة: بدء التشغيل الانتقالي.

1. تأكد من إيقاف تشغيل جميع أحمال الطاقة بالمركبة (الأضواء الأمامية، والراديو، ومكيف الهواء، وما إلى ذلك) قبل بدء التشغيل السريع للمركبة.

2. اضغط على زر التشغيل / الطاقة لبدء التشغيل التحفيزي (Jump Start)، ستومض جميع مؤشرات / أضوية LED مرة واحدة. إذا كنت البطارية متصلة بشكل صحيح، فسوف يضيء مؤشر "التعزيز" LED الأبيض وسوف يتبعه أضوية LED الأخرى الخاصة بعملية الشحن البطارية. سيبدأ العد التنازلي لمهلة 60 ثانية بمجرد اكتشاف البطارية

3. حاول بدء تشغيل المركبة. سوف تبدأ معظم المركبات في العمل على الفور. وقد تتطلب بعض المركبات توصيل وحدة GB251 لما يصل إلى 30 ثانية قبل بدء التشغيل. وإذا لم تبدأ المركبة بالعمل في الحال، فانظر من 20 إلى 30 ثانية وحاول مجددًا. ويُحظر محاولة بدء التشغيل انتقاليًا لما يزيد عن خمسة (5) مرات على التوالي خلال خمسة عشر (15) دقيقة. وامهل وحدة GB251 مُدَّة خمس عشرة (15) دقيقة قبل محاولة بدء تشغيل المركبة سريعاً مرة أخرى.

4. بمجرد بدء تشغيل المركبة، قم بفصل قوامط البطارية، وإزالة وحدة GB251.

مهلة 60 ثانية.

سيبدأ عد تنازلي لمدة 60 ثانية بمجرد كشف وجود البطارية. بعد انقضاء مهلة 60 ثانية، سيتم تعطيل وظيفة قفزة البدء. سيتوقف مصباح التعزيز LED وستشير مصابيح LED لشحن البطارية الداخلي إلى مستوى الشحن الحالي للوحدة. لإعادة تشغيل وظيفة قفزة البدء، اضغط على زر الطاقة لإيقاف تشغيل الوحدة. اضغط على زر الطاقة مرة أخرى لتشغيل الوحدة وإعادة تشغيل وظيفة قفزة البدء.

تنبيه.

تم تعطيل مهلة 60 ثانية أثناء استخدام وضع التخطي اليدوي. ستستمر الطاقة في التزويد أثناء ما يكون التخطي اليدوي نشطًا. لتعظيم عدد قفزات البدء، يوصى بإيقاف وحدة المُعزز بمجرد بدء تشغيل المركبة.

البطاريات منخفضة الجهد والتجاوز اليدوي

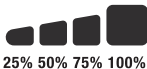
تم تصميم GB251 لبدء التشغيل التحفيزي بحد أدنى للجهد الكهربائي 2 فولت وذلك لأنظمة بطاريات الرصاص الحمضية ذات 24 فولت. إذا كانت البطارية أقل من 2 فولت، فسيكون مؤشر LED الخاص بالتعزيز "مطفأ". هذا مؤشر على أن GB251 لا يمكنه اكتشاف البطارية. إذا كنت بحاجة إلى بدء التشغيل التحفيزي لبطارية جهدها أقل من 2 فولت، فهناك ميزة التجاوز اليدوي (Manual Override)، والتي تسمح لك بإجبار "تشغيل" وظيفة التشغيل التحفيزي (Jump Starting). إذا كانت البطارية أقل من 2 فولت، فسيتم إيقاف تشغيل مؤشر LED الخاص بالتعزيز ولن يعرض الفولتميتر قيمة الجهد الكهربائي للبطارية.

الخطوة الأولى: اشنح وحدة GB251.

يأتي المنتج GB251 مشحونًا جزئيًا بمجرد إخراجها من عبوته ويحتاج إلى شحن كامل قبل استخدامه. قم بتوصيل GB251 باستخدام شاحن السيارة المرفق بجهد 12 فولت أو شاحن الحائط XGC4. إلى منفذ 12V IN سيختلف وقت إعادة شحن GB251 بناءً على مستوى التفريغ ومصدر الطاقة المستخدم. قد تختلف النتائج الفعلية بسبب حالة البطارية ومستوى التفريغ.

وقت إعادة الشحن	تصنيف الشاحن
5hr	56W

مستوى البطارية الداخلية



عند إعادة الشحن، يُشار إلى مستوى شحن البطارية الداخلية بواسطة مؤشرات LED الخاصة بمستويات الشحن. ستومض مؤشرات LED ببطء على "On" (تشغيل) و"Off" (إيقاف تشغيل) وتصبح صلبة إلى حين شحن جميع مؤشرات LED الأربعة الخاصة بمستويات الشحن. عندما تكون البطارية ممتلئة بالكامل، سوف يُضيء مؤشر LED الأخضر بشكل ثابت، وسيتم إيقاف تشغيل مؤشرات LED الخاصة بمستويات الشحن 25%، 50%، و75%. ومن وقت لآخر، سينبض مؤشر LED الأخضر 100% مشيرًا إلى حدوث شحن الصيانة.

الخطوة الثانية: التوصيل بالبطارية.

يرجى قراءة وفهم دليل المالك الخاصة بالمرحلة بعناية وذلك فيما يخص الاحتياطات الواجب اتباعها والطرق الموصى بها عند إجراء عملية التشغيل التحفيزي لبطارية المركبة أو ما يعرف بـ Jump Starting. تأكد من تحديد قيمة الجهد الكهربائي والكيمياء للبطارية بالرجوع إلى دليل البطارية قبل استخدام هذا المنتج. GB251 مخصص لبدء تشغيل أنظمة بطاريات الرصاص الحمضية بجهد 24 فولت فقط. قبل التوصيل مع بطارية أخرى، تحقق من أن البطارية الأخرى المراد توصيلها تمتلك نفس خصائص أنظمة بطارية حمض الرصاص الخاصة بالمرحلة وبجهد 24 فولت. بطارية منتج GB251 لا تتوافق مع أنواع بطاريات أخرى خاصة بمنتجات أخرى. حدد القطبية الصحيحة عند التوصيل بين أقطاب البطارتين. عادةً ما يتم تمييز طرف البطارية الموجب بهذه الأحرف أو الرموز (P, POS, +). عادةً ما يتم تمييز طرف البطارية السالب بهذه الأحرف أو الرموز (N, NEG, -). لا تقم بإجراء أي توصيلات على "الكاربراتير"، أو على خطوط الوقود، أو الأجزاء الرقيقة من الصفائح المعدنية. الإرشادات أدناه خاصة بنظام تأريض القطب السالب (الأكثر شيوعًا). إذا كانت مركبتك مصممة بنظام تأريض القطب الموجب (غير شائع جدًا)، ارجع إلى دليل المالك للحصول على إرشادات بدء التشغيل المناسبة.

1. قم بتوصيل مشبك البطارية الموجب (الأحمر) إلى طرف البطارية الموجب (P, POS, +) ومشبك البطارية السالب (الأسود) إلى طرف البطارية السالب (N, NEG, -) أو شاسية المركبة.

يتسبب في تعطيلها. رقم الطراز: GB251 يتوافق هذا الجهاز مع الجزء رقم 15 من قواعد لجنة الاتصالات الفيدرالية (FCC). يخضع التشغيل للشروطين التاليين: (1) لا يجوز أن يتسبب هذا الجهاز في حدوث تشويش ضار، و(2) يجب أن يقبل الجهاز أي تشويش يتلقاه بما في ذلك التشويش الذي قد يتسبب بحدوث تشغيل غير مرغوب فيه. ملاحظة: تم اختبار هذا الجهاز وثبتت توافقه مع حدود الأجهزة الرقمية من الفئة ب طبقاً للجزء 15 من قواعد لجنة الاتصالات الفيدرالية (FCC). وقد تم وضع هذه الحدود لتوفير حماية ملائمة ضد التداخل عند تشغيل المعدات في بيئة تجارية. هذا الجهاز يولد ويستخدم ويمكن أن يشع طاقة تردد لاسلكية، وإذا لم يتم تركيبه واستخدامه وفقاً لدليل التعليمات، فقد يؤدي إلى حدوث تشويش ضار بالاتصالات اللاسلكية. ومن المرجح أن يتسبب تشغيل هذا الجهاز في منطقة سكنية في حدوث تداخل ضار وفي هذه الحالة سيطلب من المستخدم تصحيح هذا التداخل على حسابه الخاص.

الإضرار به عند استخدام ملحقات غير معتمدة من قبل نوكو. المكان. امنع حمض البطارية من التلامس مع المنتج. لا تشغل المنتج في منطقة مغلقة أو منطقة غير جيدة التهوية. لا تضع البطارية فوق المنتج. ضع موجّهات الكابل لتجنب التلف غير المقصود عن طريق تحريك أجزاء السيارة (ويشمل ذلك غطاء المحرك والأبواب)، وتحريك أجزاء المحرك (ويشمل ذلك ريش المروحة والسيور والبكرات)، أو ما قد يتسبب في خطر من شأنه التسبب في الإصابة أو الوفاة. درجة حرارة التشغيل. تم تصميم هذا المنتج للعمل في درجات حرارة البيئة المحيطة بين 20 إلى 50 درجة مئوية. تجنب التشغيل خارج معدلات درجة الحرارة. لا تحاول بدء التشغيل من بطارية مجمدة. توقف عن استخدام المنتج على الفور إذا سخّنت بطاريتها بشكل متزايد. التخزين. لا تستخدم أو تخزن المنتج في المناطق التي بها تراكيز عالية للغبار أو المواد المحمولة في الهواء. خزن منتجك على أسطح مستوية وآمنة لكي لا يكون عرضة للسقوط. خزّن المنتج في مكان جاف. درجة حرارة التخزين هي 20 إلى 50 درجة مئوية (متوسط درجة الحرارة). لا تتجاوز 80 درجة مئوية تحت أي ظرف. التوافق. المنتج متوافق فقط مع أنظمة بطاريات الرصاص الحمضية 12 فولت. لا تحاول استخدام المنتج مع أي نوع آخر من البطاريات. إن توصيل هذه البطارية مع أي بطارية ثانية أخرى بقصد التشغيل التحفيزي للبطارية الأولى (ما يُعرف بعملية jump starting) قد يؤدي إلى تغيير في كيمياء البطارية مما سيسبب حدوث إصابة، أو وفاة، أو تلف في الممتلكات. اتصل بالشركة المصنعة للبطارية قبل محاولة إجراء التشغيل التحفيزي للبطارية. لا تقم بعملية التشغيل التحفيزي للبطارية إذا لم تكن متأكدًا من الكيمياء أو الجهد الكهربائي للبطارية. البطارية. يتعين استبدال بطارية الليثيوم أيون المدمجة في المنتج من قبل شركة نوكو فقط ويجب إعادة تدويرها أو التخلص منها بشكل منفصل عن المخلفات المنزلية. لا تحاول استبدال البطارية بنفسك ولا تتعامل مع بطارية ليثيوم أيون تالفة أو مسربة. لا تتخلص من البطارية أبدًا في المخلفات المنزلية. التخلص من البطاريات في المخلفات المنزلية أمر غير قانوني بموجب القوانين واللوائح المحلية والفيدرالية المعنية بالبيئة. احرص دائمًا على أخذ البطاريات المستعملة إلى مركز تدوير البطاريات المحلي. إذا كان منتج البطارية سائحًا بصورة مبالغ فيها أو يُصدر رائحة أو مشوهًا أو مقطوعًا أو به حادث غير طبيعي ظاهر، توقف فورًا عن استخدامه واتصل بشركة نوكو. شحن البطارية. شحن المنتج بواسطة شاحن السيارة المرقق (12V DC)، أو بواسطة شاحن الحائط (طراز XGC4). لا تستخدم محولات طاقة عادية أو من إنتاج أطراف ثالثة، لأنها قد تشكل خطرًا كهربائيًا حقيقيًا يمكن أن يؤدي إلى إصابة الشخص، والجهاز، والممتلكات. قد يؤدي استخدام الكابلات أو أجهزة الشحن التالفة أو الشحن عند وجود الرطوبة إلى حدوث صدمة كهربائية. NOCO ليست مسؤولة عن سلامة المستخدم، أو تلف الجهاز، أو تلف الممتلكات عند استخدام الملحقات، أو مزودات الطاقة غير المعتمدة من قبل NOCO. عند استخدام شاحن الحائط XGC4، تأكد من إدخال الطرف الآخر لكابل الشحن بشكل صحيح وكامل في المحول قبل توصيل الطرف الأول (مقيس الكهرباء) بمأخذ الطاقة AC. قد يسخن محول الطاقة أثناء الاستخدام العادي، وقد يتسبب ملامسته للجلد لفترة طويلة في إصابة جسدية. اترك دائمًا تهوية كافية حول محول الطاقة أثناء الاستخدام. لضمان أقصى عمر للبطارية، تجنب شحن المنتج مدة أسبوع أو أكثر في كل فترة، لأن الشحن الزائد قد يقصر من عمر البطارية. مرور الوقت، سينفذ شحن المنتج بسبب عدم الاستخدام ويجب إعادة شحنه قبل الاستخدام. أفضل المنتج عن مصادر الطاقة في حالة عدم استخدامه. استخدم المنتج فقط للأغراض المصمم من أجلها. الأجهزة الطبية. قد يُصدر المنتج مجالات كهرومغناطيسية. يحتوي المنتج على مكونات مغناطيسية والتي قد تتداخل مع الناظمات أو مزيلات الرجفان أو أي أجهزة طبية أخرى. قد تتداخل هذه المجالات الكهرومغناطيسية مع الناظمات أو أي أجهزة طبية أخرى. استشر طبيبك قبل الاستخدام إذا كان لديك أي أجهزة طبية من بينها الناظمات. إذا شككت في أن المنتج يتداخل مع جهاز طبي، توقف عن استخدام المنتج على الفور واستشر طبيبك. الحالات الطبية. إذا كنت تعاني من حالة طبية تعتقد أنها قد تتأثر بالمنتج، ويشمل ذلك على سبيل المثال لا الحصر، النوبات أو فقدان الوعي أو الإجهاد البصري أو الصداع، استشر طبيبك قبل استخدام المنتج. يحتوي استخدام الضوء الوميضي على المدمج العالي الطاقة على مخاطرة حساسية خفيفة. قد يسبب استخدام الضوء في وضع Strobe نوبات للأشخاص الذين يعانون من صرع الحساسية للضوء، الذي قد ينتج عنه إصابة خطيرة أو وفاة. خفة الوزن. قد يتسبب إحداق النظر في الضوء الوميضي في إصابة مستدّمة في العين. المنتج مزود بمصباح مركز مسبقًا بتقنية LED يُصدر شعاعًا قويًا في أعلى الإعدادات. التنظيف. أفضل الطاقة عن المنتج قبل محاولة إجراء أية صيانة أو تنظيف. نظف وجفف المنتج على الفور إذا تلامس مع سائل أو أي نوع من الملوثات. استخدام قطعة قماش ناعمة وخالية من الكتان (الألياف الدقيقة). تجنب دخول الرطوبة في الفتحات. أجواء التفجيرات. اتبع كافة الإشارات التحذيرية والتعليمات. لا تشغل المنتج في أية منطقة بها جو تفجيري محتمل، ويشمل ذلك مناطق تزويد الوقود أو المناطق التي تحتوي على مواد كيميائية أو جسيمات مثل الحبوب أو الغبار أو مساحيق المعادن. الأنشطة عالية الخطورة. هذا المنتج غير مخصص للاستخدام في الحالات التي قد يؤدي فيها عطل الجهاز إلى الإصابة أو الوفاة أو الضرر البيئي الشديد. تدخل الترددات اللاسلكية. تم تصميم المنتج واختباره وتصنيعه ليطابق اللوائح التي تحكم الانبعاثات الترددات اللاسلكية. ومن شأن تلك الانبعاثات الواردة من المنتج أن تؤثر تأثيرًا سلبيًا على تشغيل المعدات الإلكترونية الأخرى، مما

تحذيرات السلامة الهامة

تنبيه

الوضع اليدوي يُعطل جميع تدابير السلامة. عند استخدامه على نحو غير مناسب و/أو عكس الاستخدام الموصى به من طرفنا، قد ينتج عنه إصابة أو وفاة وسيؤدي إلى إبطال الضمان. وقد يتسبب في حدوث حريق، أو انفجار، أو حروق. لا تقم بفك الجهاز، أو تحطيمه، أو تسخينه إلى درجة حرارة أعلى من 60 درجة مئوية (140 درجة فهرنهايت) أو حرقة. هذا الجهاز مُعد للاستخدام المؤقت خارج المباني في الأماكن المفتوحة ويجب توخي الحذر البالغ عند استخدام هذا الجهاز في البيئة الرطبة والمبتلة.

تحذير

لا تقم بالشحن الزائد للبطارية الداخلية. أنظر دليل التعليمات. ممنوع التدخين، أو إشعال عود ثقاب، أو التسبب في إحداث شرارة بالقرب من حزمة الطاقة. لا تقم بشحن البطارية الداخلية سوى في منطقة جيدة التهوية وعندما لا يكون الجهاز قيد الاستخدام.

تنبيه

خطر الإصابة للأشخاص. لا تستخدم هذا المنتج إذا كان كابل الطاقة أو كابلات البطارية تالفة بأي طريقة. هذا الجهاز غير مُعد للاستخدام في منشأة إصلاح تجارية. هذا الجهاز مُعد ليتم تخزينه داخل المباني عند عدم الاستخدام. هذا الجهاز لا يجوز تخزينه أو تركه خارج المباني في المناطق المفتوحة عندما لا يكون قيد الاستخدام.

الاقتراح 65. تحتوي قوائم تثبيت البطارية وأطراف التوصيل بها والملحقات المتصلة بها على مواد كيميائية من بينها الرصاص. وهذه المواد معروفة لدى ولاية كاليفورنيا بأنها تسبب الإصابة بالسرطان والتشوهات الخلقية للمواليد وتلحق أضراراً أخرى بالجهاز التناسلي. **الاحتياطات الشخصية.** استخدم المنتج حسبما هو مبين فقط. وينبغي أن يوجد شخص في نطاق يصل صوتك إليه أو قريب منك بما يكفي لمساعدتك في حالة الطوارئ. احصل على وجود إمداد كافٍ من المياه النظيفة والصابون في حال التلوث من حمض البطارية. واحرص على ارتداء واقي العينين الكامل وملابس واقية أثناء العمل بالقرب من البطارية. وعليك دائماً أن تغسل يديك بعد التعامل مع البطاريات والمواد ذات الصلة. احرص على عدم لمس أو ارتداء أية أشياء معدنية عند العمل مع البطاريات، ويشمل ذلك الأدوات أو الساعات أو المجوهرات. وإذا سقط أي معدن على البطارية فمن الممكن أن يحدث شرارة أو ينتج عنه ماس كهربائي مما قد يتسبب بدوره في حدوث صدمة كهربائية أو حريق أو انفجار وبالتالي قد ينتج عنه إصابة أو وفاة أو ضرر بالممتلكات. **القصر.** إذا كان المشتري يتوحي أن يستخدم القصر المنتج، فعلى المشتري من الكبار الموافقة على توفير تعليمات تفصيلية وتحذيرات لأي قاصر قبل استخدامه للمنتج. وفي حالة عدم القيام بذلك، يتحمل "المشتري" المسؤولية وحده ويوافق على أن يعرض شركة نوكو عن أي استخدام غير مقصود أو سوء استخدام من جانب أي من القصر. **خطر الاختناق.** قد تتسبب الملحقات في خطر الاختناق للأطفال، ولذلك، ينبغي ألا تترك الأطفال بدون مراقبة وفي حوزتهم المنتج أو أي من ملحقاته. فالمنتج ليس لعبة. **التعامل مع المنتج.** احرص على التعامل مع المنتج بعناية. فقد يتعرض المنتج للتلف إذا اصطدم بأي شيء. لا تستخدم المنتج التالف ويشمل ذلك، على سبيل الذكر، وليس الحصر، الشروخ في غلبة المنتج أو تلف الكابلات. ولا تستخدم المنتج وبه سلك كهرباء تالف. ومن الممكن أن تتسبب الرطوبة والسوائل في إتلاف المنتج. لا تتعامل مع المنتج أو أي مكونات كهربائية بالقرب من أي سائل. احرص على تخزين المنتج وتشغيله في أماكن جافة. تجنب تشغيل المنتج إذا تعرض للبلل. وإذا كان المنتج يعمل بالفعل وتعرض للبلل، فعليك أن تفصله من البطارية وتوقف استخدامه على الفور. لا تفصل المنتج من خلال شد الكابلات. التعديلات. لا تحاول إجراء أية تغييرات أو تعديلات أو إصلاحات على أي جزء من المنتج. فتفكيك المنتج قد يتسبب في حدوث إصابة أو وفاة أو إضرار بالممتلكات. وإذا تعرض المنتج للتلف أو العطل أو تلامس مع أي سائل، فأوقف استخدامه واتصل بشركة نوكو. علماً بأن إجراء أية تعديلات على المنتج سوف تلغي ضماننا. **الملحقات.** إن هذا المنتج معتمد فقط للاستخدام مع ملحقات نوكو. ولا تتحمل نوكو المسؤولية عن سلامة المستخدم أو

NOCO BOOST[®] MAX[™] GB251+

دليل المستخدم والضمان

عربي

لمزيد من المعلومات والدعم، تفضل بزيارة:

www.no.co/support

خطر 

عليك قراءة جميع معلومات السلامة واستيعابها قبل استخدام هذا المنتج. قد يؤدي عدم اتباع تعليمات السلامة هذه إلى التعرض لصدمة كهربائية، أو حدوث انفجار أو اندلاع حريق مما قد يؤدي إلى حدوث إصابة خطيرة أو الوفاة أو أضرار بالملكية.



الصدمة الكهربائية. المنتج عبارة عن جهاز كهربائي قد يسبب صدمة وإصابة خطيرة. لا تقطع أسلاك الكهرباء. ولا تغمسها في المياه أو تعرضها للبلل.



الانفجار. البطاريات غير الخاضعة للمراقبة أو غير المتوافقة أو التالفة قد تحدث انفجاراً إذا استخدمت مع المنتج. لا تترك المنتج بدون مراقبة أثناء استخدامه. ولا تحاول بدء تشغيله من بطارية تالفة أو مجمدة. استخدم المنتج فقط مع البطاريات ذات الجهد الكهربائي الموصى به. احرص على تشغيل المنتج في منطقة جيدة التهوية.



الحريق. إن المنتج عبارة عن جهاز كهربائي يصدر عنه حرارة وقادر على التسبب في الحروق. لذلك لا تغطه. وتجنب التدخين أو استخدام أي مصدر لهب كهربائي أو مصدر للنار عند تشغيل المنتج. وحرص على إبعاد المنتج عن المواد القابلة للاحتراق.



إصابة العين. احرص على ارتداء واقي العينين عند تشغيل المنتج. حيث إن البطاريات يمكن أن تنفجر وتتطاير بقاياها. كما يمكن أن يتسبب حامض البطارية في تهيج العينين والجلد. وفي حالة تلوث العينين أو الجلد، اغسل المنطقة المصابة بالمياه النظيفة الجارية واتصل بمكافحة السموم على الفور.



الغازات المتفجرة. إن العمل بالقرب من الأحماض والرصاص أمر خطير. تولد البطاريات غازات متفجرة أثناء التشغيل العادي لها. ولتقليل خطر انفجار البطارية، اتبع جميع تعليمات معلومات السلامة وتلك التعليمات التي نشرتها الشركة المصنعة للبطارية والجهة المصنعة لأي معدات من المقرر استخدامها في محيط البطارية. راجع العلامات التحذيرية على هذه المنتجات وعلى المحرك.



For more information and support visit:

www.no.co/support

NOCO[®]

GB251.12032021A