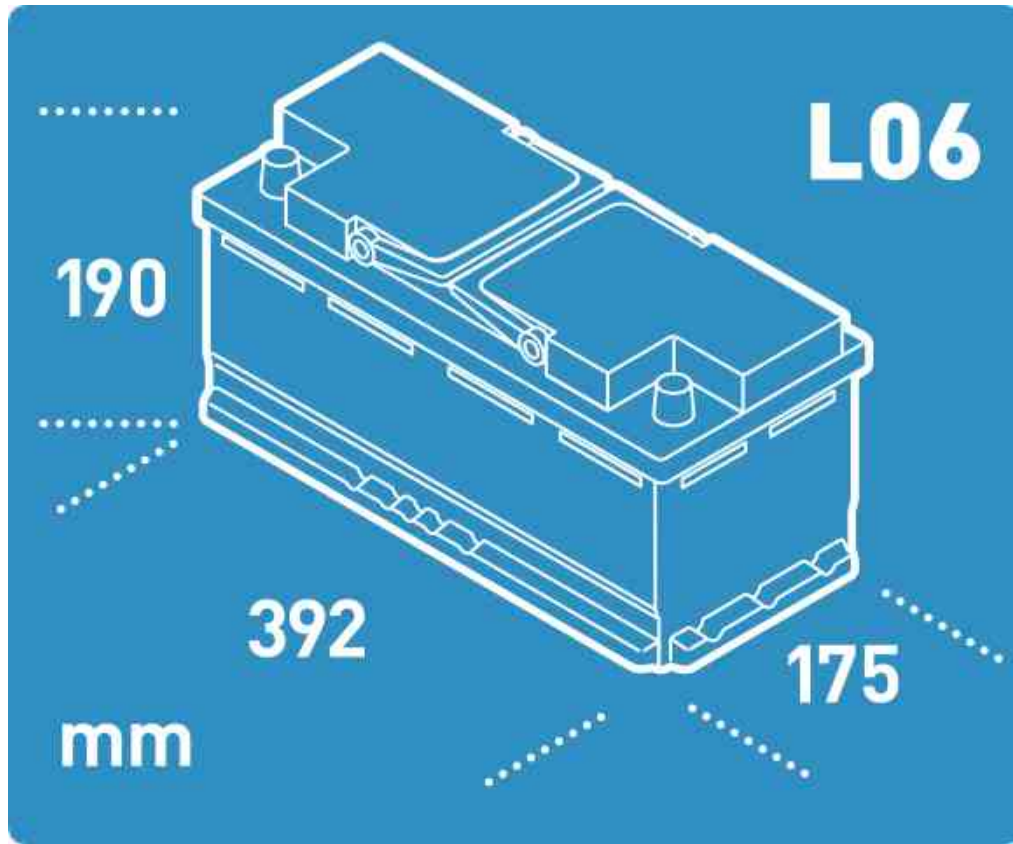


Local Code: EB1100

Created: 10/05/2018

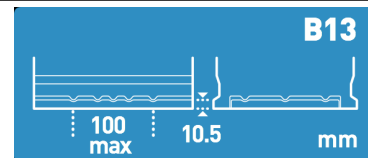
Modified: 03/06/2020



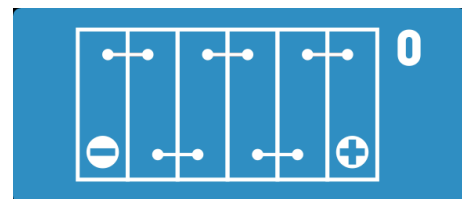
PERFORMANCES

Voltage (V):	12 V	
C20 (Ah):	110.0	20 h
Cranking (A):	850	EN
Charge:	WET	
Technology:	Vented/Flooded	
Grid:	Ca/Ca	

HOLD-DOWNS



ASSEMBLY/POLARITY



STD. DIMENSIONS

Length (mm ± 2):	392
Width (mm ± 2):	175
Height (mm ± 2):	190

HANDLES

Type: 2 x Integrated BLACK

OTHERS

Degassing Tube: No

All figures show nominal values. Tolerances are according to EN50342 and applicable European Regulations.