

TYPE LV22MF



SPECIFICATIONS

VOLTAGE
12V

AH
75AH

CCA (EN)
N/A

PALLET QUANTITY
48

LAYOUT
1

BASE HOLDDOWN
B01

TERMINAL
1

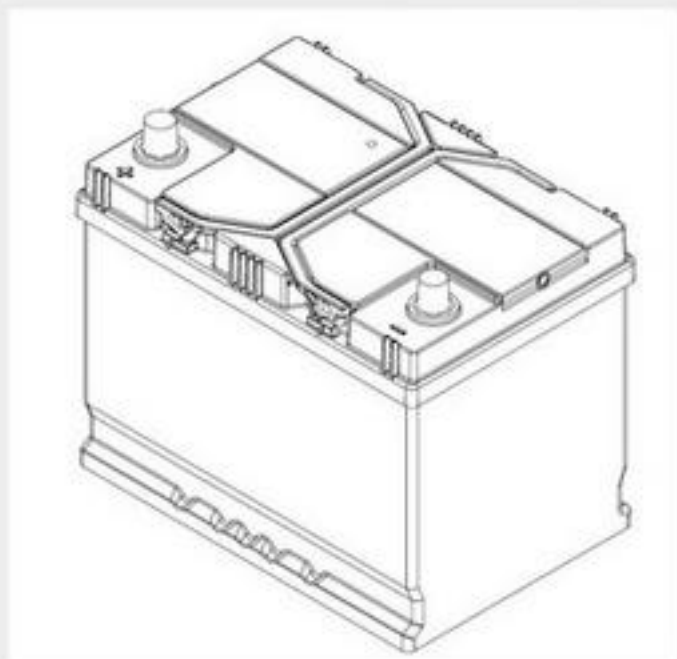
NCC CATAGORY
C

CASE TYPE
D26

TERMINAL

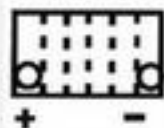
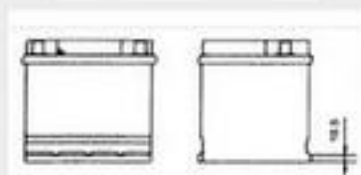
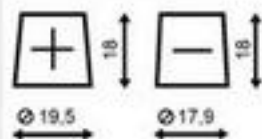
HOLDOWN

LAYOUT



DIMENSIONS

LENGTH	266mm
WIDTH	175mm
HEIGHT	220mm
WEIGHT	18.5kgs



TRANSPORT INFORMATION

- Classified as "Batteries, Wet, Filled with Sulphuric Acid"
- UN2794
- Class 8
- Packing Group III