

# TYPE DC31 MF



## SPECIFICATIONS

VOLTAGE  
12V

AH  
105 AH

CCA (EN)  
N/A CCA(EN)

PALLET QUANTITY  
42

LAYOUT  
1

BASE HOLDOWN  
B01

TERMINAL  
DT

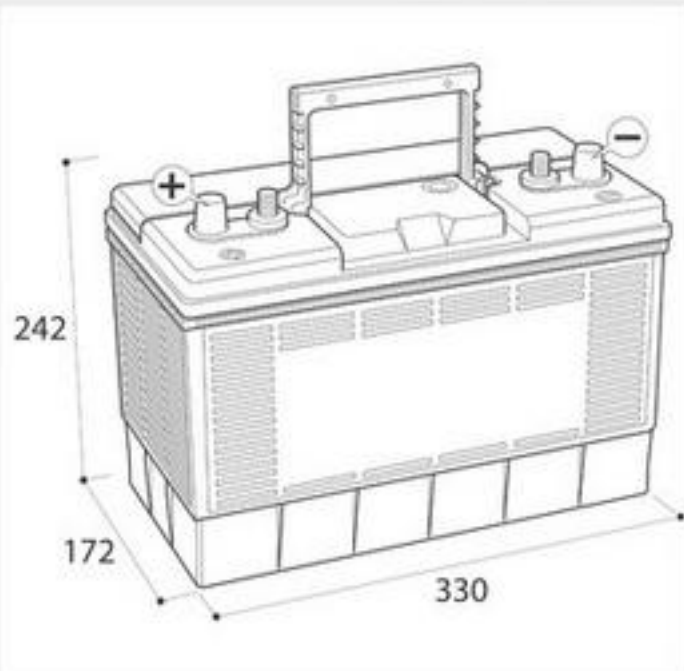
NCC CATAGORY  
B

CASE TYPE  
GRP31

TERMINAL

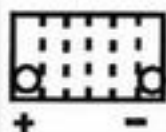
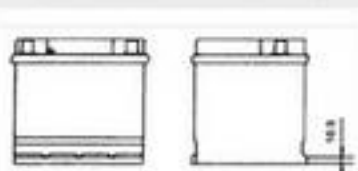
HOLDOWN

LAYOUT



## DIMENSIONS

LENGTH	330 mm
WIDTH	172 mm
HEIGHT	242 mm
WEIGHT	23.0 kgs



## TRANSPORT INFORMATION

- Classified as "Batteries, Wet, Filled with Sulphuric Acid".
- UN2794
- Class 8
- Packing Group III