



# DATA SHEET

OEM SERIES-LITHIUM IRON MOTORCYCLE STARTING BATTERY

## SPECIFICATIONS

Model No.		PLFE-12
Dimensions	Length	150mm
	Width	87mm
	Height	130mm
Weight		1240g

## CHARACTERISTICS

Nominal Voltage		12V
Capacity		4Ah
Nominal Power		48Wh
Initial Impedance		<12mΩ
Working Voltage		8V~14.4V
Operating Temperature	Charge	0°C ~ +45°C
	Discharge	-20°C ~ +55°C
Storage Temperature		0°C ~ 30°C
Charge Current		2A (0.5C), Max. 8A (2C)
Charge Retention		30 days ≥ 95%
Discharge	Continuous	160A (40C)
	Maximum	280A (70C, 15S)
CCA (-18°C storage for 20h)		120A (30C, 15S)
Cycle Life		2000 cycles

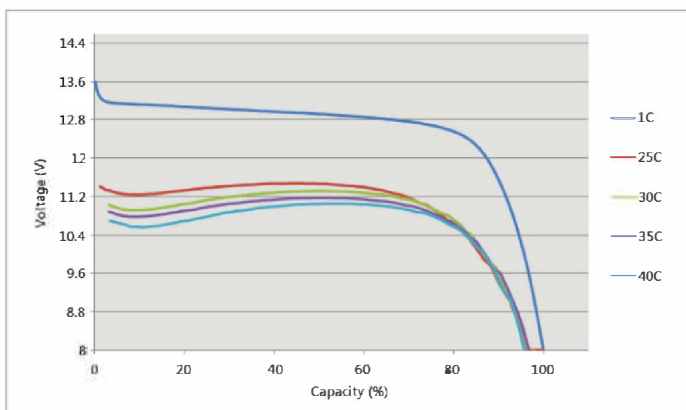


PLFE-12

## REPLACEMENTS

YTX12-BS

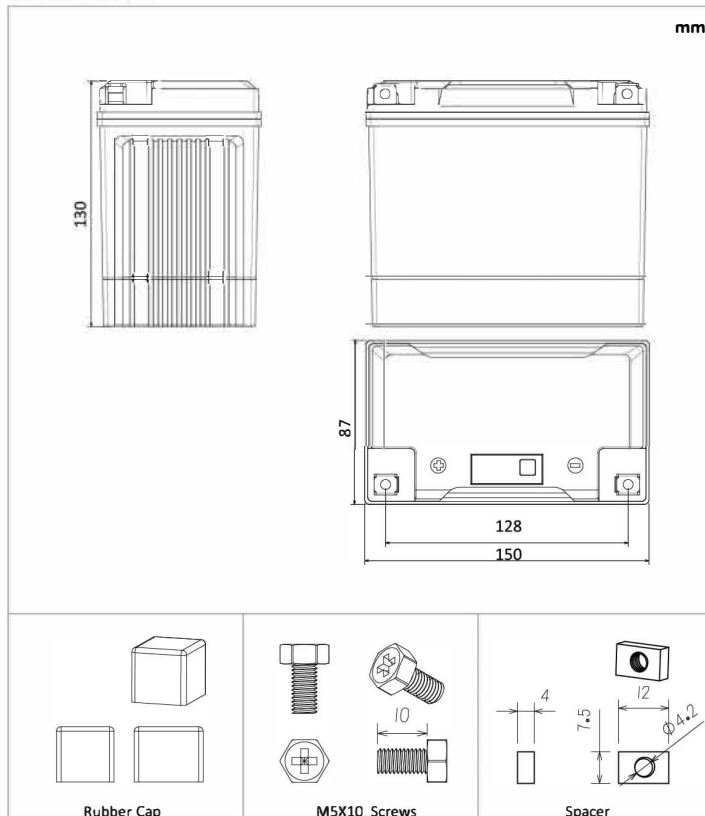
## DISCHARGING GRAPH



## CERTIFICATIONS

**UN38.3** **CE**

## DRAWINGS



Poweroad (Xiamen) Renewable Energy Technology Co., Ltd.

Office: 7/F Haiyun Building, No. 16, Haishan Road, Xiamen, Fujian, China, 361013  
 Factory: Rongyuan Industrial Park, No. 8, Xiayang Road, Haicang District, Xiamen, Fujian, China, 361028

+86 592 5558102  
 sales@poweroad.com  
 www.poweroad.com

**POWERROAD reserves the right to modify the specifications and features without prior notice.**